



US00D749081S

(12) **United States Design Patent**
Serfoss

(10) **Patent No.:** **US D749,081 S**
(45) **Date of Patent:** **** Feb. 9, 2016**

(54) **HANDLE FOR AN ELECTRONIC DEVICE**

(71) Applicant: **Eric Michael Serfoss**, Katy, TX (US)

(72) Inventor: **Eric Michael Serfoss**, Katy, TX (US)

(**) Term: **14 Years**

(21) Appl. No.: **29/504,320**

(22) Filed: **Oct. 3, 2014**

(51) **LOC (10) Cl.** **08-07**

(52) **U.S. Cl.**
USPC **D14/447**

(58) **Field of Classification Search**
USPC D14/447, 432, 434, 439, 440, 451, 452,
D14/457, 239; D12/415; D6/406.3, 406.4,
D6/406.5, 406.6; D8/363, 373, 380
CPC F16M 2200/00; F16M 13/00; A45C
2011/003; A45C 2011/002; A47B 2023/049;
A47B 2097/005; A47B 2097/006; A47B 21/04
See application file for complete search history.

(56) **References Cited**

U.S. PATENT DOCUMENTS

D602,913 S *	10/2009	Han et al.	D14/217
D645,462 S *	9/2011	Choi	D14/253
D648,727 S *	11/2011	Van Den Nieuwenhuizen	D14/447
		et al.	D14/447
D649,153 S *	11/2011	Symons	D14/447
D651,205 S	12/2011	Soekoro	D14/447
D656,940 S *	4/2012	McClelland et al.	D14/447
D663,735 S *	7/2012	Musselman	D14/447
D674,380 S *	1/2013	Soekoro	D14/250
D692,435 S *	10/2013	Bremenkamp	D14/447
D703,673 S *	4/2014	Kittlaus	D14/447
D709,073 S *	7/2014	Inman	D14/447

D711,866 S *	8/2014	Kawata	D14/250
2012/0110868 A1 *	5/2012	Abbondanzio	33/645
2015/0216276 A1 *	8/2015	Stratton	224/183

OTHER PUBLICATIONS

Fonhandle Website, www.fonhandle.com, 2014.
Knucklecase Website, www.knucklecase.com, 2014.
Clingo Website, www.clingobyallsop.eu, 2014.
Woxom Website, www.woxom.com, 2014.

* cited by examiner

Primary Examiner — Angela J Lee

(74) *Attorney, Agent, or Firm* — Patterson & Sheridan, LLP

(57) **CLAIM**

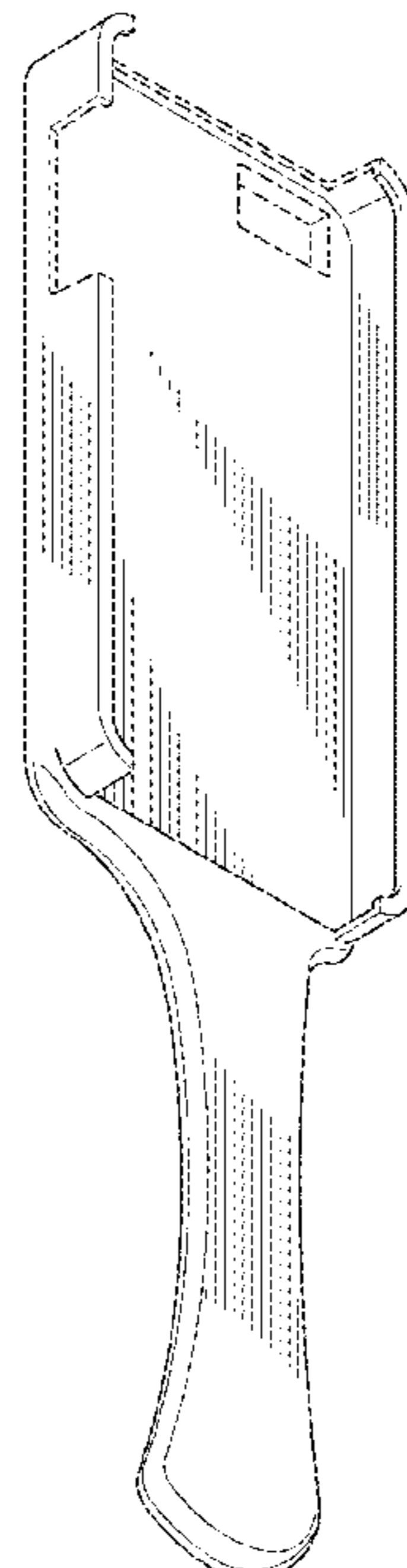
The ornamental design for a handle for an electronic device, as shown and described.

DESCRIPTION

FIG. 1 is a front perspective view of a handle for an electronic device showing my new design;
FIG. 2 is a rear perspective view thereof;
FIG. 3 is a front elevational view thereof;
FIG. 4 is a rear elevational view thereof;
FIG. 5 is a left side elevational view thereof;
FIG. 6 is a right side elevational view thereof;
FIG. 7 is a top plan view thereof;
FIG. 8 is a bottom plan view thereof;
FIG. 9 is a sectional view thereof taken along line 9-9 of FIG. 3;
FIG. 10 is sectional view thereof taken along line 10-10 of FIG. 3; and,
FIG. 11 is sectional view thereof taken along line 11-11 of FIG. 3.

The broken line portions form no part of the claimed design.

1 Claim, 8 Drawing Sheets



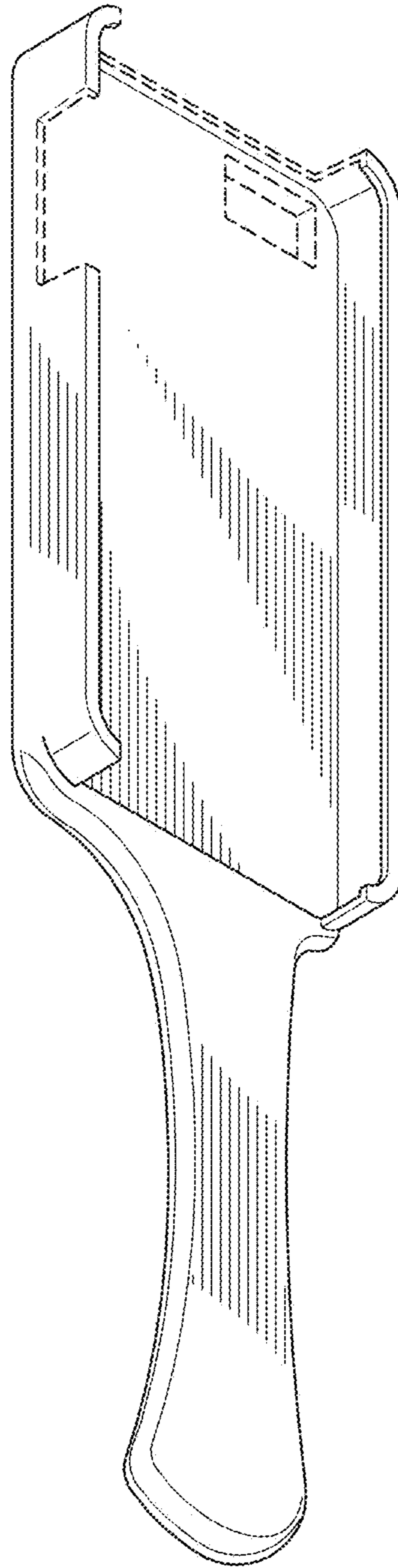


Fig. 1

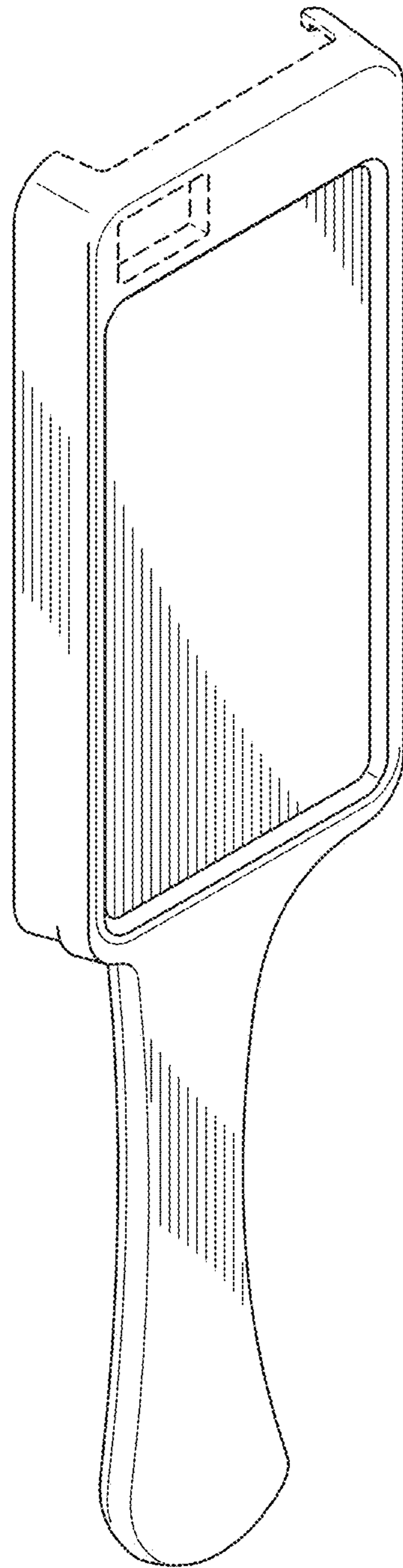


Fig. 2

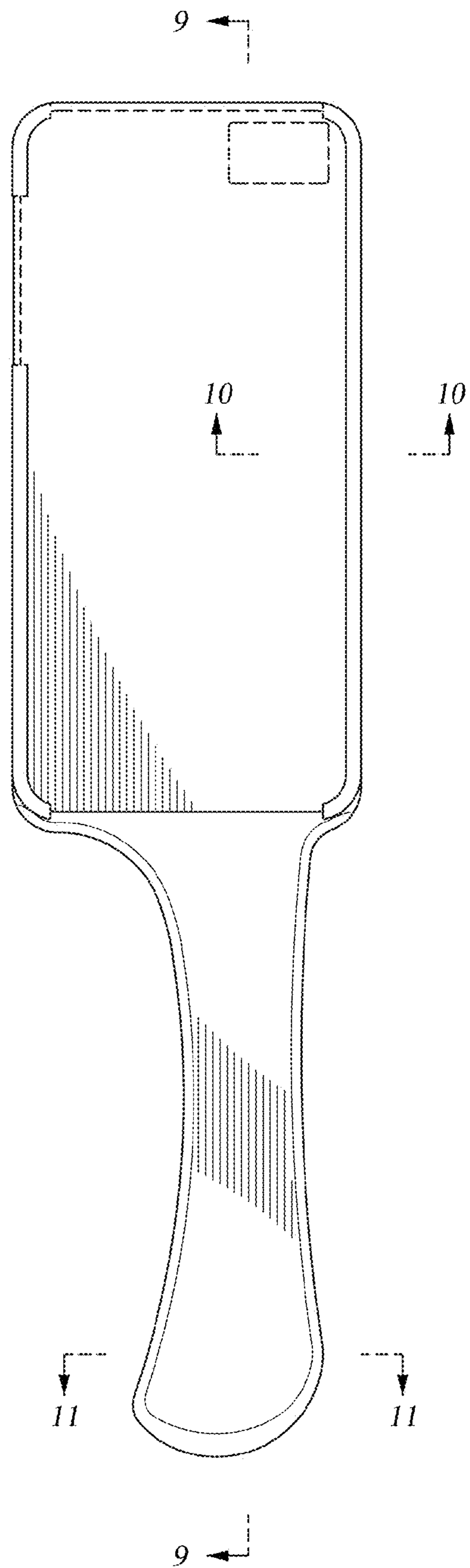


Fig. 3

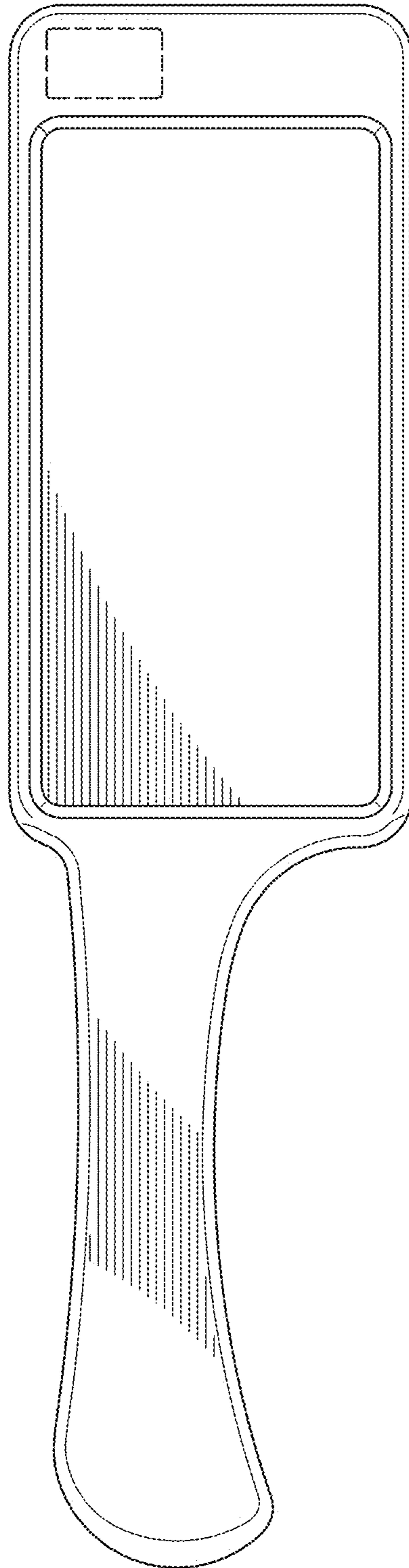


Fig. 4

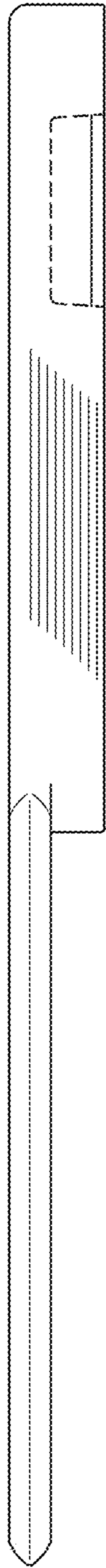


Fig. 5



Fig. 6

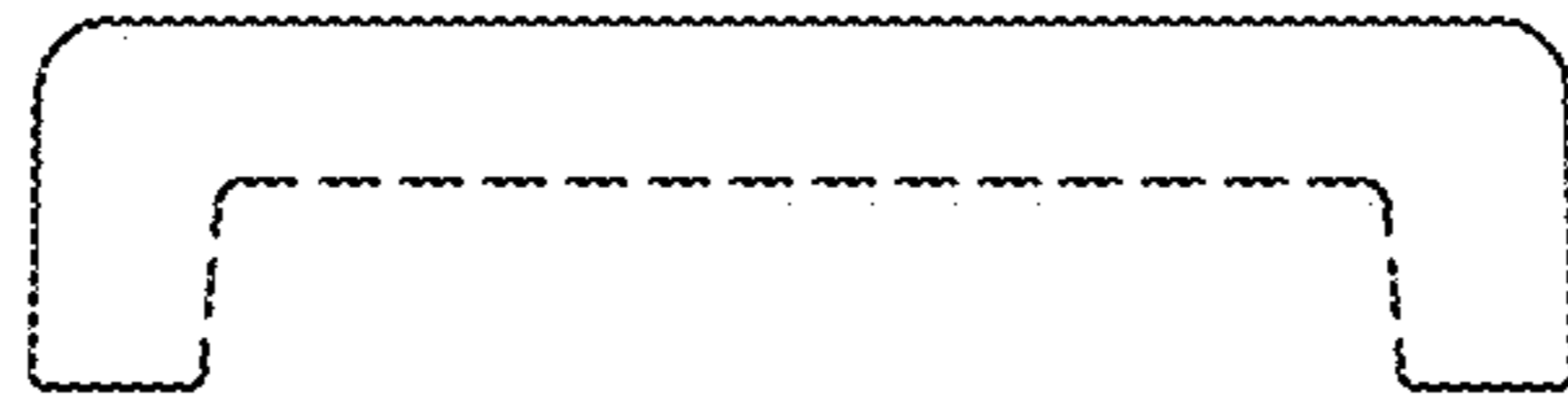


Fig. 7

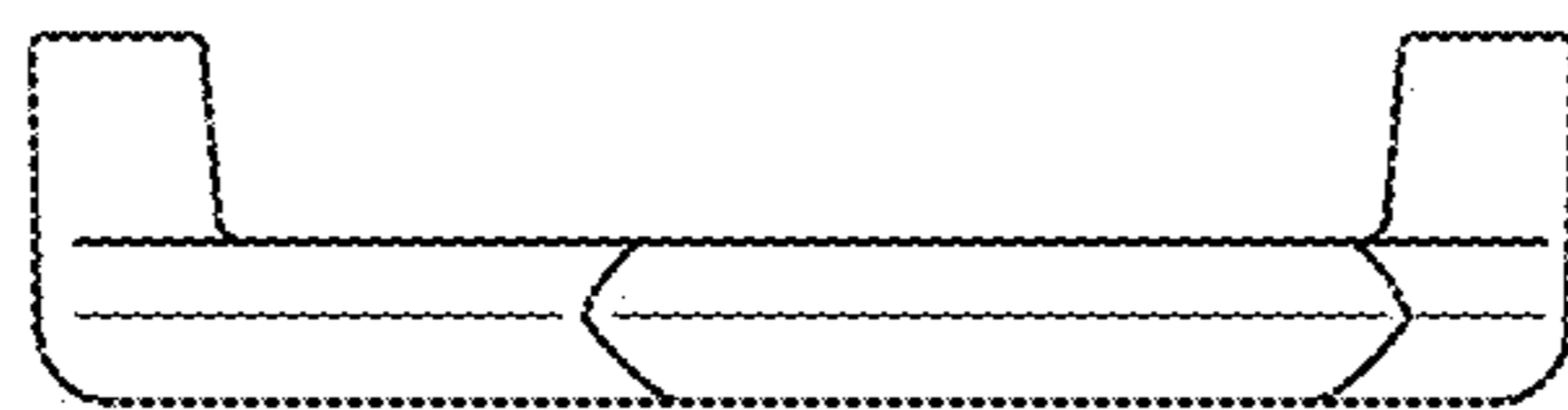


Fig. 8

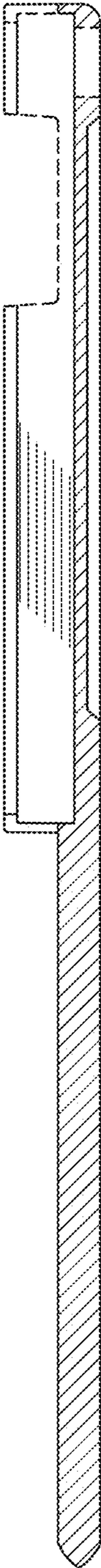


Fig. 9

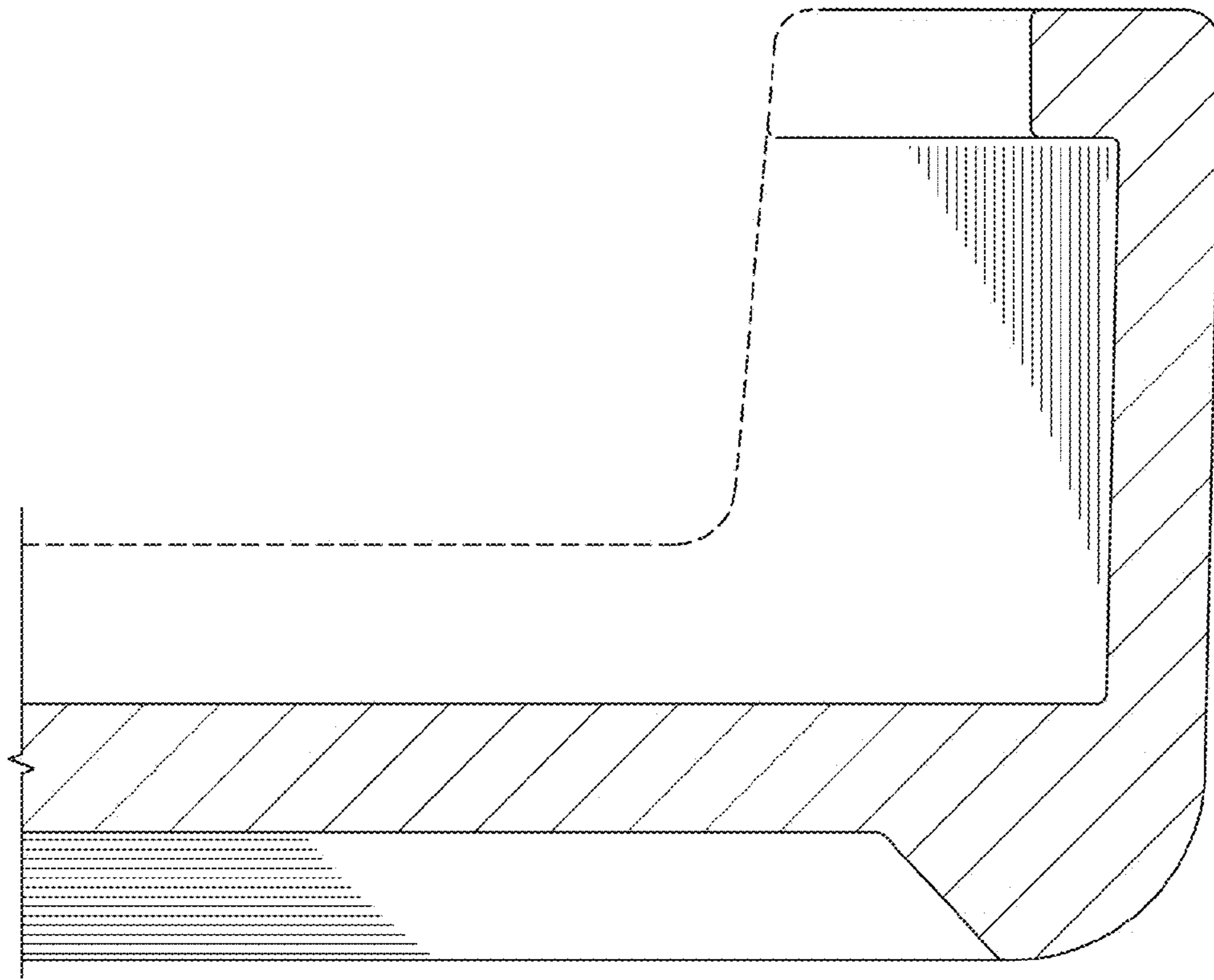


Fig. 10

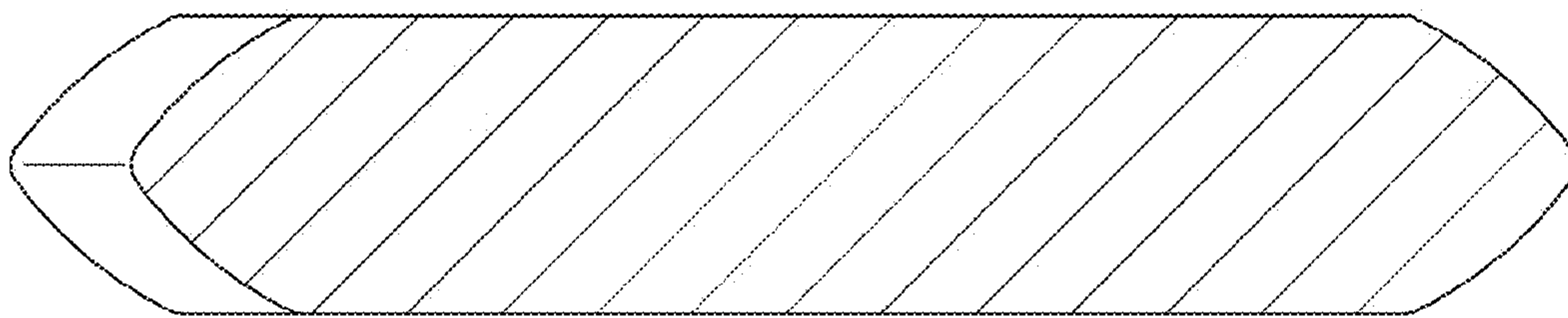


Fig. 11