



US00D749080S

(12) **United States Design Patent**  
**Su et al.**

(10) **Patent No.:** **US D749,080 S**  
(45) **Date of Patent:** **\*\* Feb. 9, 2016**

(54) **HOLDER FOR PORTABLE ELECTRONIC DEVICE**

D730,459 S \* 5/2015 Tumminia ..... D21/694  
D733,156 S \* 6/2015 Choi et al. .... D14/447  
2011/0255219 A1\* 10/2011 Ou ..... 361/679.01

(71) Applicant: **HTC Corporation**, Taoyuan, Taoyuan County (TW)

FOREIGN PATENT DOCUMENTS

(72) Inventors: **Jung-Cheng Su**, Taoyuan (TW);  
**Yien-Chun Kuo**, Taoyuan (TW);  
**Shih-Hsun Ou**, Taoyuan (TW)

FR 074771-001 \* 12/2007

\* cited by examiner

(73) Assignee: **HTC CORPORATION**, Taoyuan (TW)

*Primary Examiner* — Susan Bennett Hattan

*Assistant Examiner* — Leanne Was

(\*\*) Term: **14 Years**

(74) *Attorney, Agent, or Firm* — Birch, Stewart, Kolasch & Birch, LLP

(21) Appl. No.: **29/503,740**

(57) **CLAIM**

(22) Filed: **Sep. 29, 2014**

The ornamental design for holder for portable electronic device, as shown and described.

(51) **LOC (10) Cl.** ..... **14-02**

(52) **U.S. Cl.**  
USPC ..... **D14/447**

**DESCRIPTION**

(58) **Field of Classification Search**  
USPC ..... D14/204, 216, 217, 356, 432, 433, 447,  
D14/483; D16/237, 242, 245; 361/679.01,  
361/679.02; 396/419, 428  
See application file for complete search history.

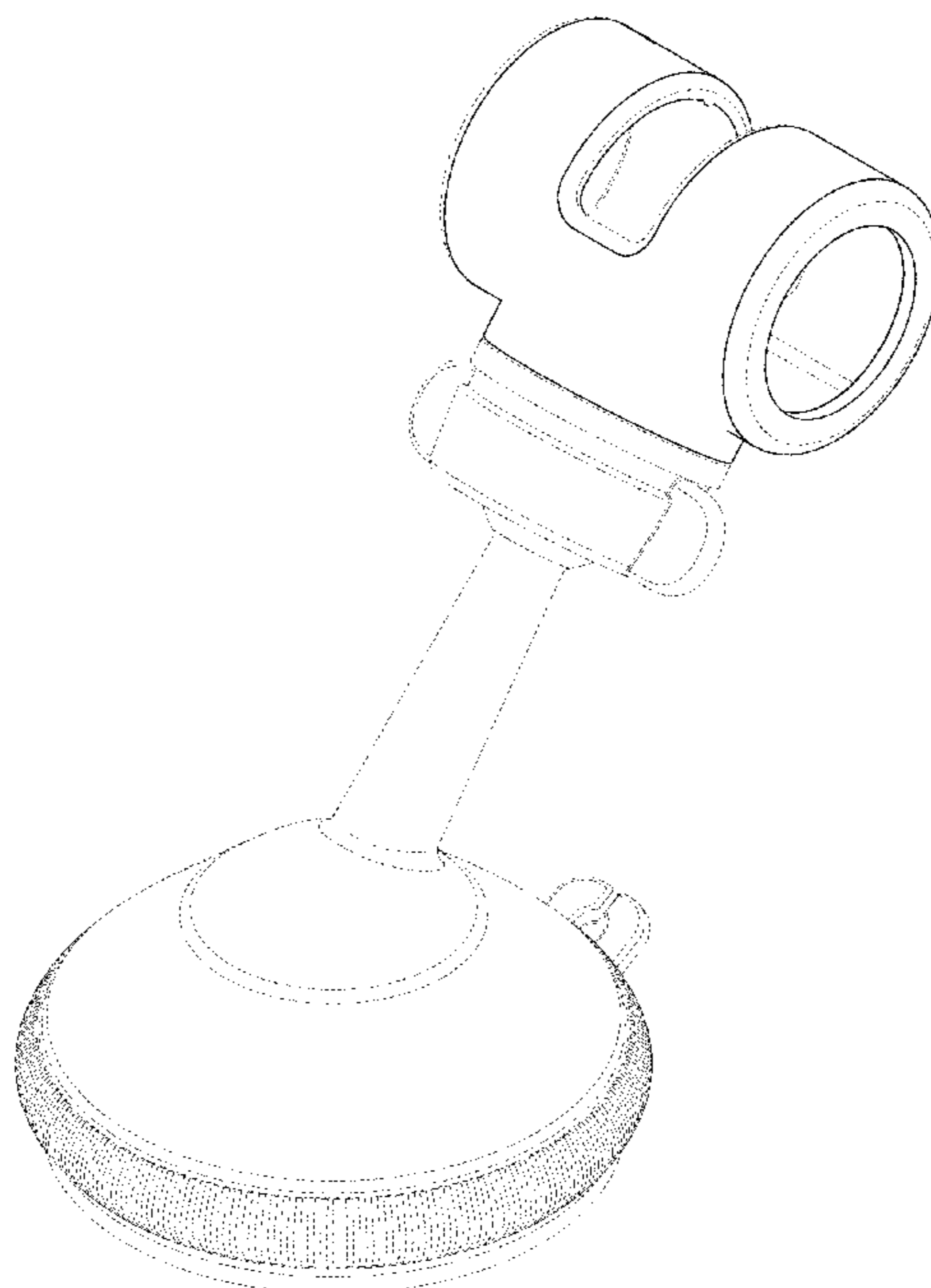
FIG. 1 is a front perspective view of a holder for portable electronic device in accordance with our new design;  
FIG. 2 is a front view thereof;  
FIG. 3 is a rear view thereof;  
FIG. 4 is a left side view thereof;  
FIG. 5 is a right side view thereof;  
FIG. 6 is a top plan view thereof;  
FIG. 7 is a bottom plan view thereof; and,  
FIG. 8 is a rear perspective view thereof.  
The broken lines depict environment only and form no part of the claimed design.

(56) **References Cited**

U.S. PATENT DOCUMENTS

D573,453 S \* 7/2008 Buckley ..... D8/382  
D583,224 S \* 12/2008 Holdsworth ..... D8/382  
D638,406 S \* 5/2011 Chiang ..... D14/224  
D727,333 S \* 4/2015 Shih et al. .... D14/447

**1 Claim, 8 Drawing Sheets**



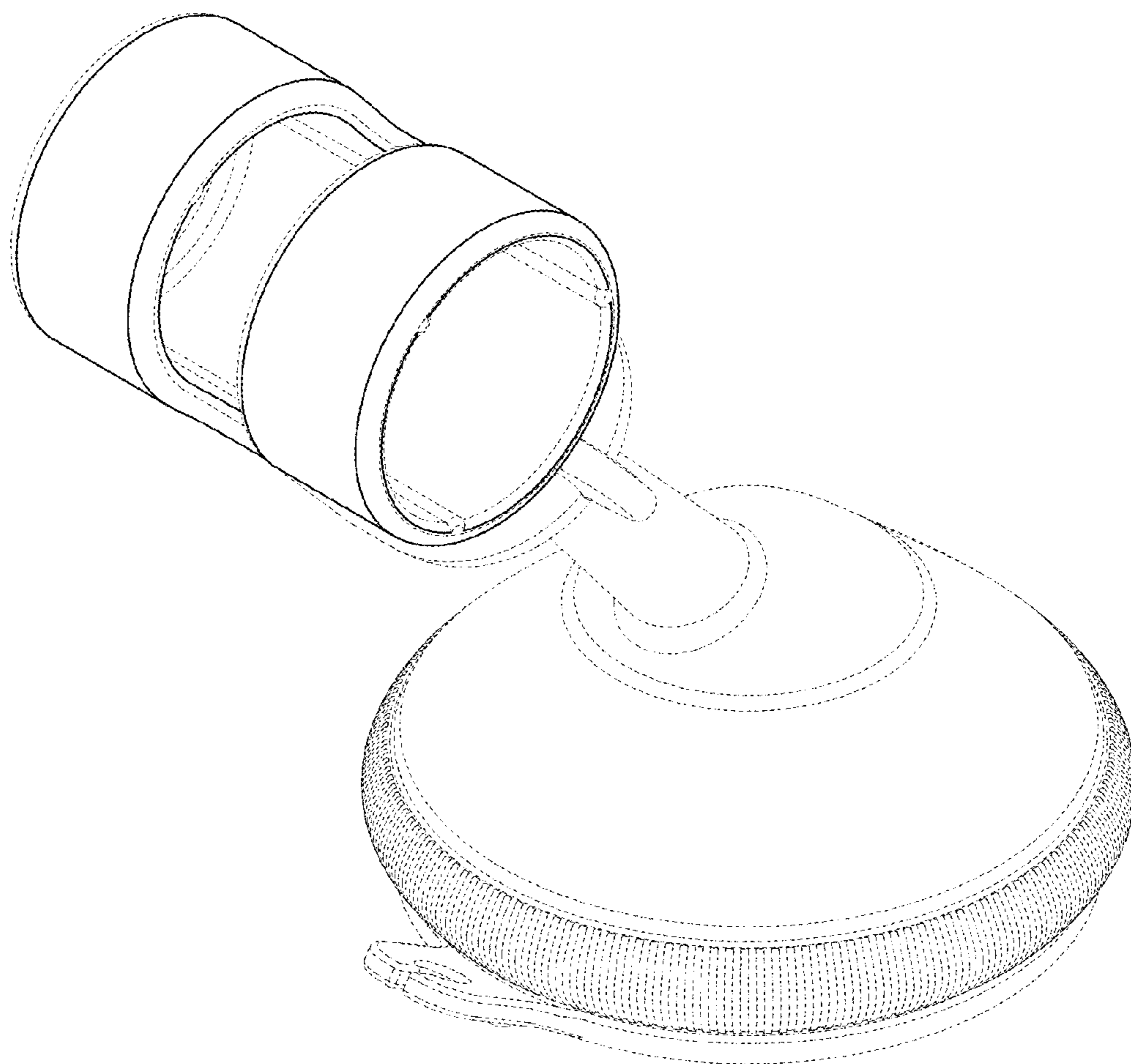


FIG. 1

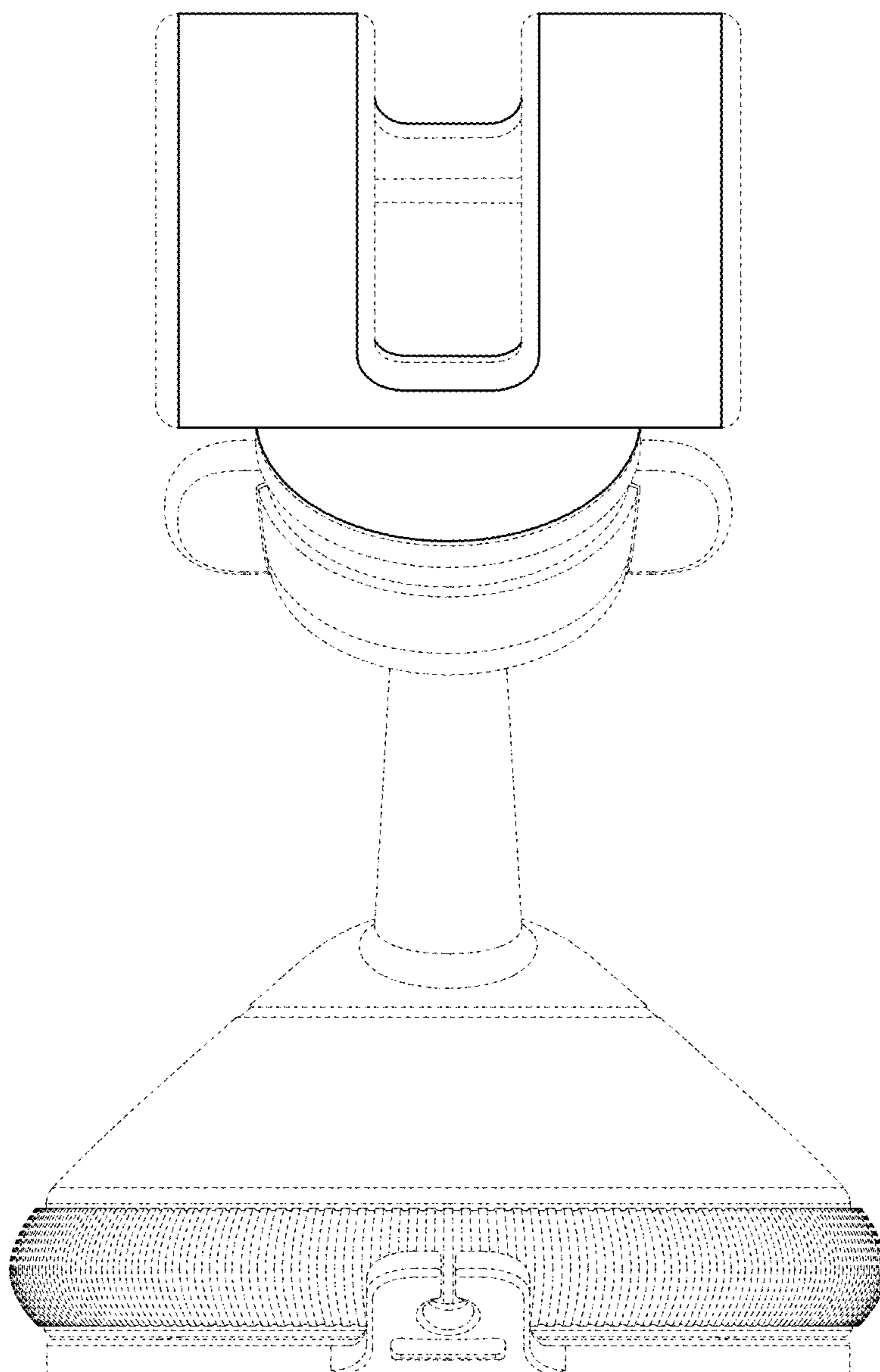


FIG. 2

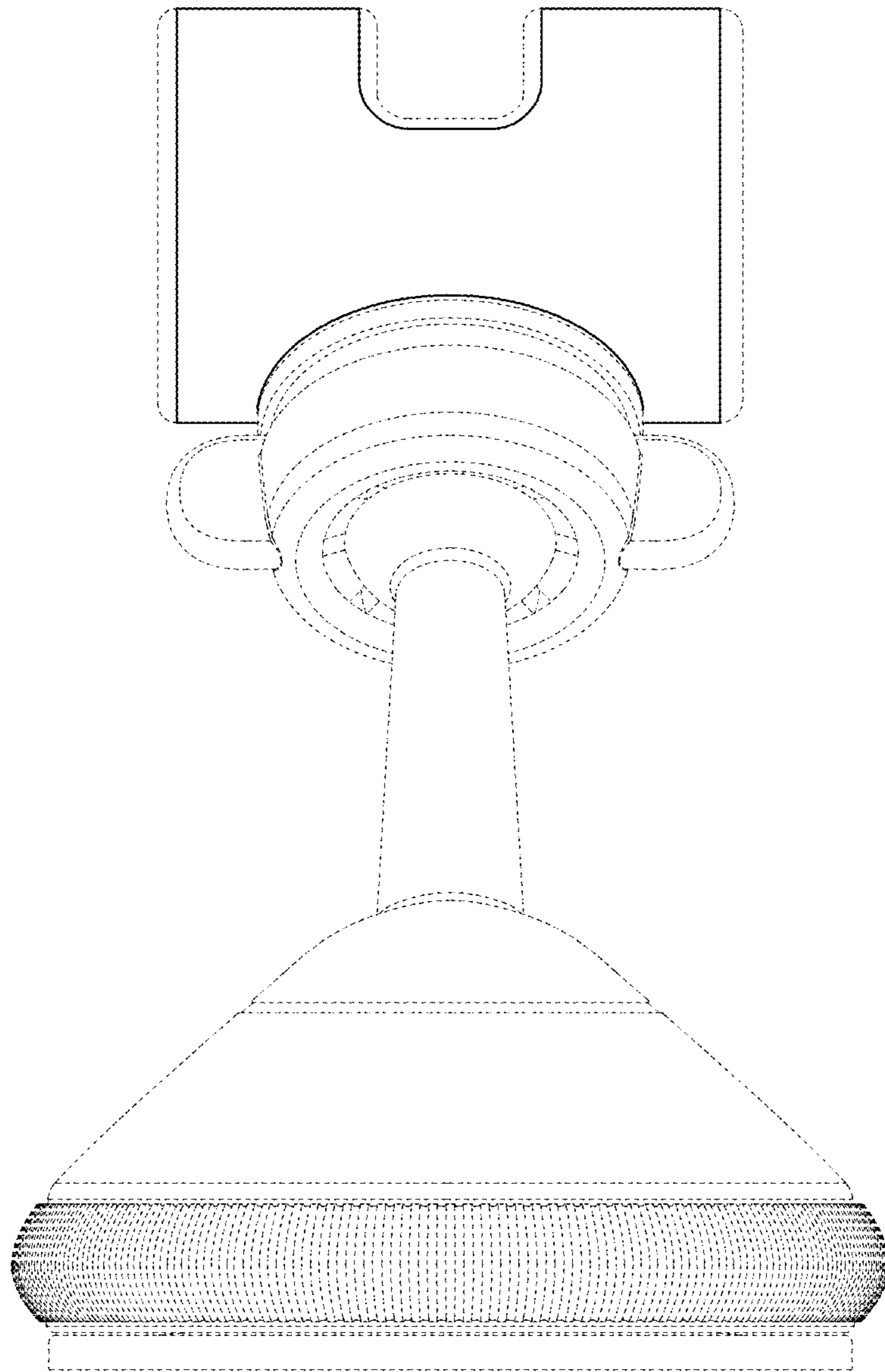


FIG. 3

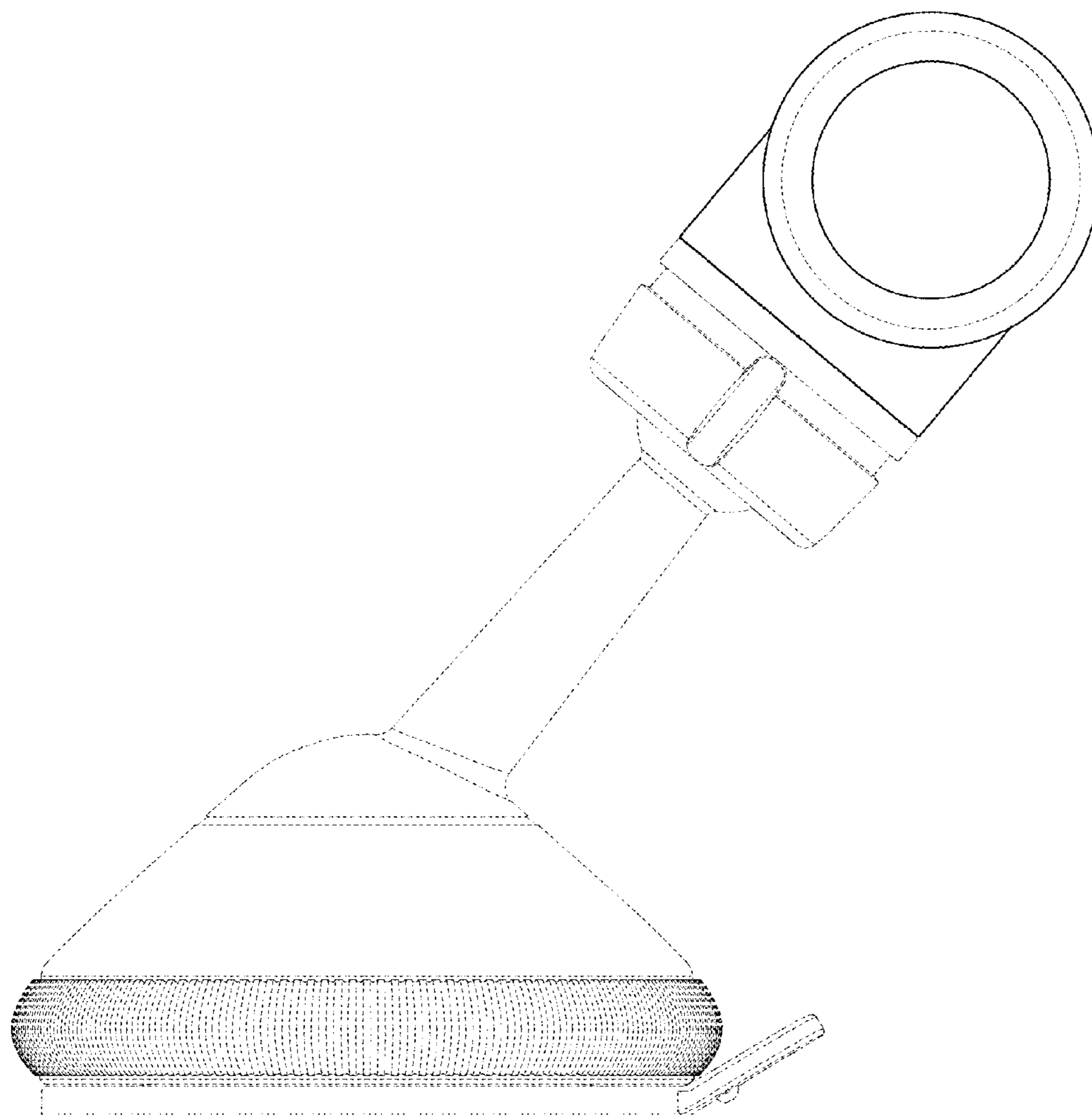


FIG. 4

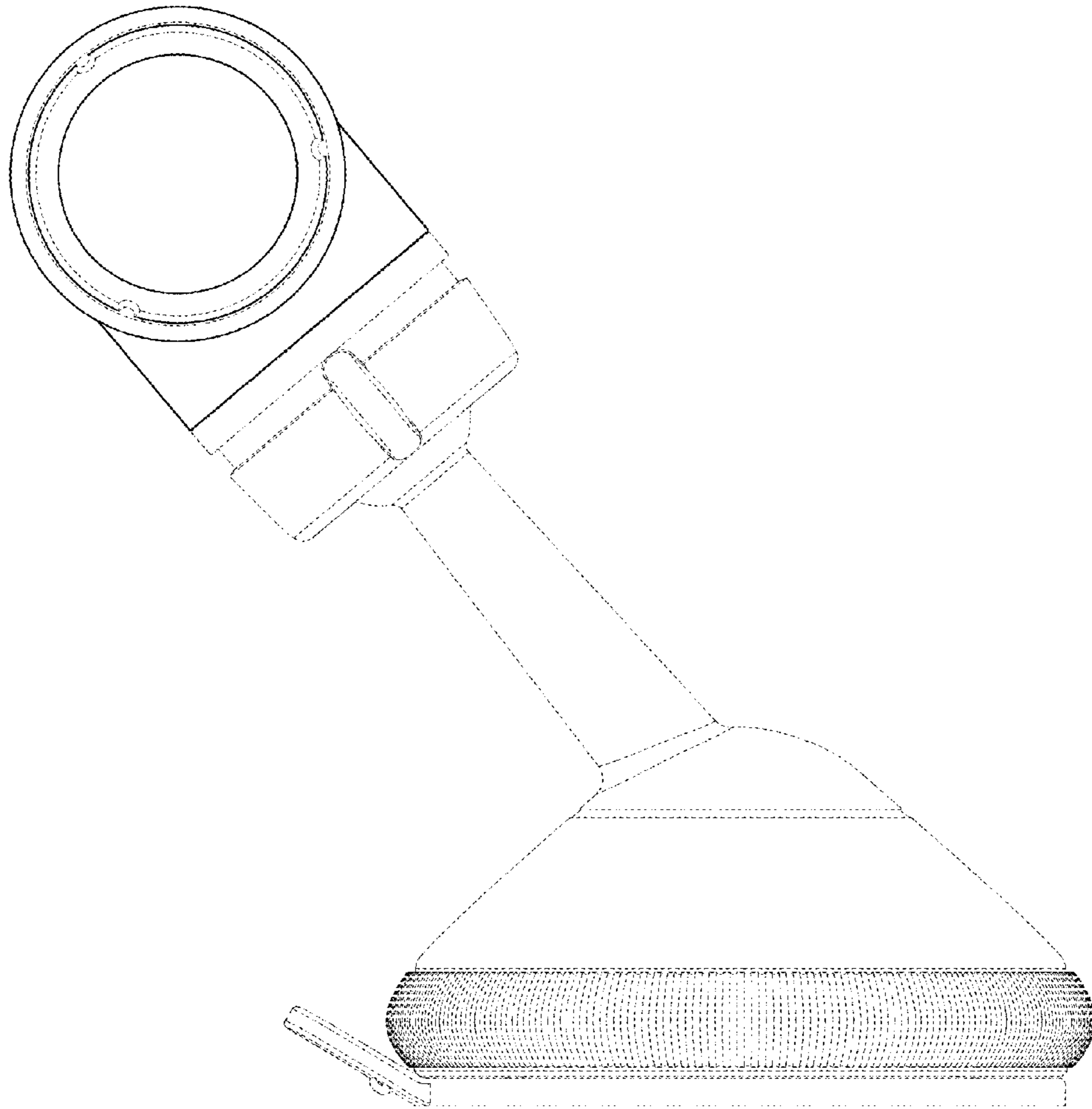


FIG. 5

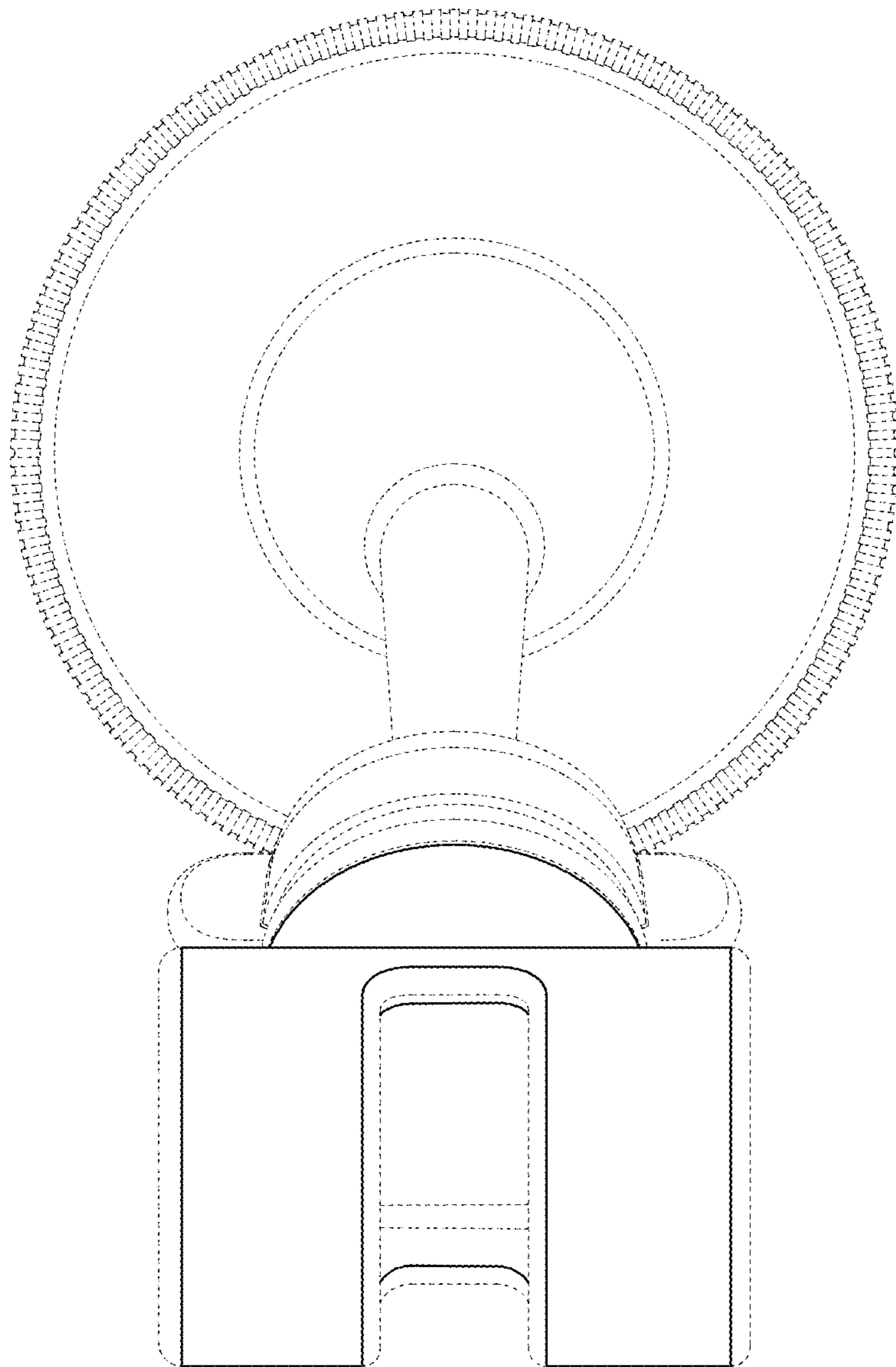


FIG. 6

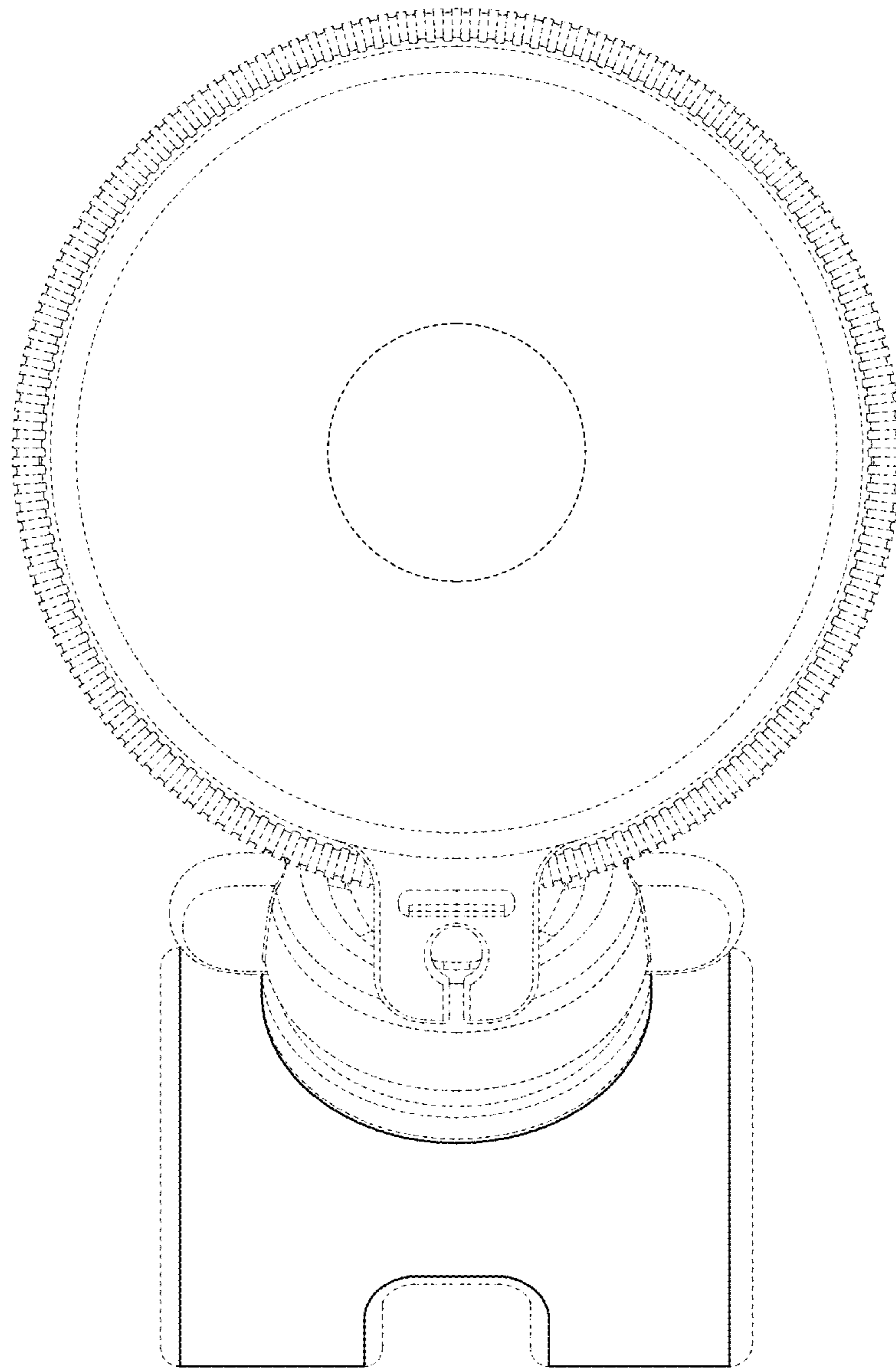


FIG. 7



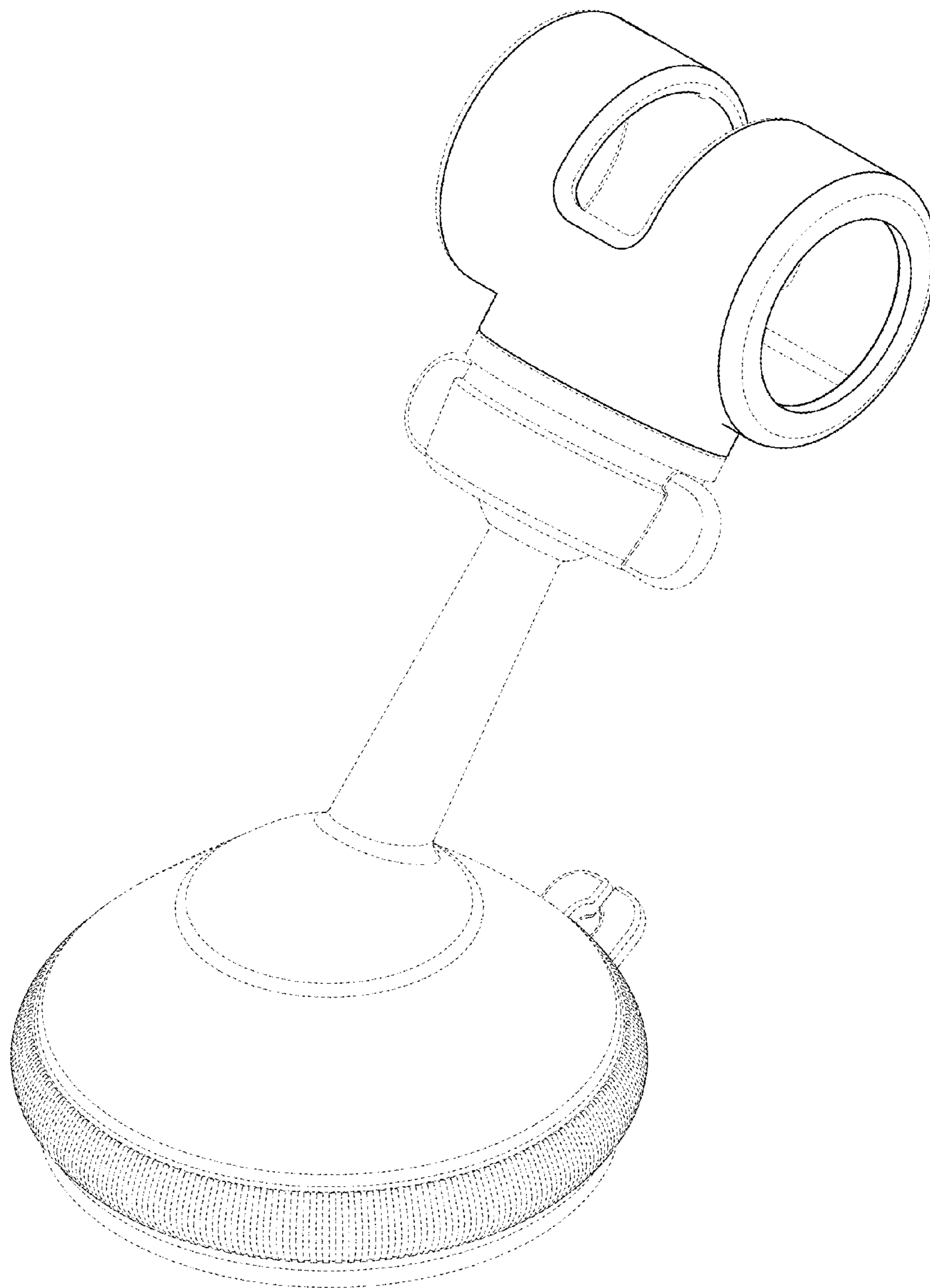


FIG. 8