



US00D749075S

(12) **United States Design Patent**
Brown

(10) **Patent No.:** **US D749,075 S**

(45) **Date of Patent:** **** Feb. 9, 2016**

(54) **PANEL**

(71) Applicant: **Biopanel Systems Limited**, West
Yorkshire (GB)

(72) Inventor: **Gareth Brown**, Manchester (GB)

(73) Assignee: **BIOPANEL SYSTEMS LIMITED**,
West Yorkshire (GB)

(**) Term: **14 Years**

(21) Appl. No.: **29/511,458**

(22) Filed: **Dec. 10, 2014**

(51) **LOC (10) Cl.** **14-02**

(52) **U.S. Cl.**
USPC **D14/383**

(58) **Field of Classification Search**
USPC D14/383, 159, 155, 167, 154, 168, 188,
D14/496, 165, 158, 137; 455/351, 350, 353;
D10/104.1, 78, 106.1-106.7, 108;
D9/414, 424
CPC G08B 13/1672; G08B 13/19645;
G08B 25/006; H04M 11/04
See application file for complete search history.

(56) **References Cited**

U.S. PATENT DOCUMENTS

D355,170 S *	2/1995	Mizusugi	D14/336
D440,565 S *	4/2001	Ono	D14/375
D498,235 S *	11/2004	Chen	D14/385
D562,306 S *	2/2008	Jeong	D14/159
D638,014 S *	5/2011	Chong	D14/336
D682,806 S *	5/2013	Smith	D14/155
D684,967 S *	6/2013	Flagiello	D14/341
D693,805 S *	11/2013	Sip	D14/358

D727,321 S *	4/2015	LaBorde	D14/383
D727,901 S *	4/2015	Nishimura	D14/383
D728,675 S *	5/2015	Daniel	D14/383

* cited by examiner

Primary Examiner — Austin Murphy

Assistant Examiner — Kendra L Hamilton

(74) *Attorney, Agent, or Firm* — Fitch, Even, Tabin &
Flannery LLP

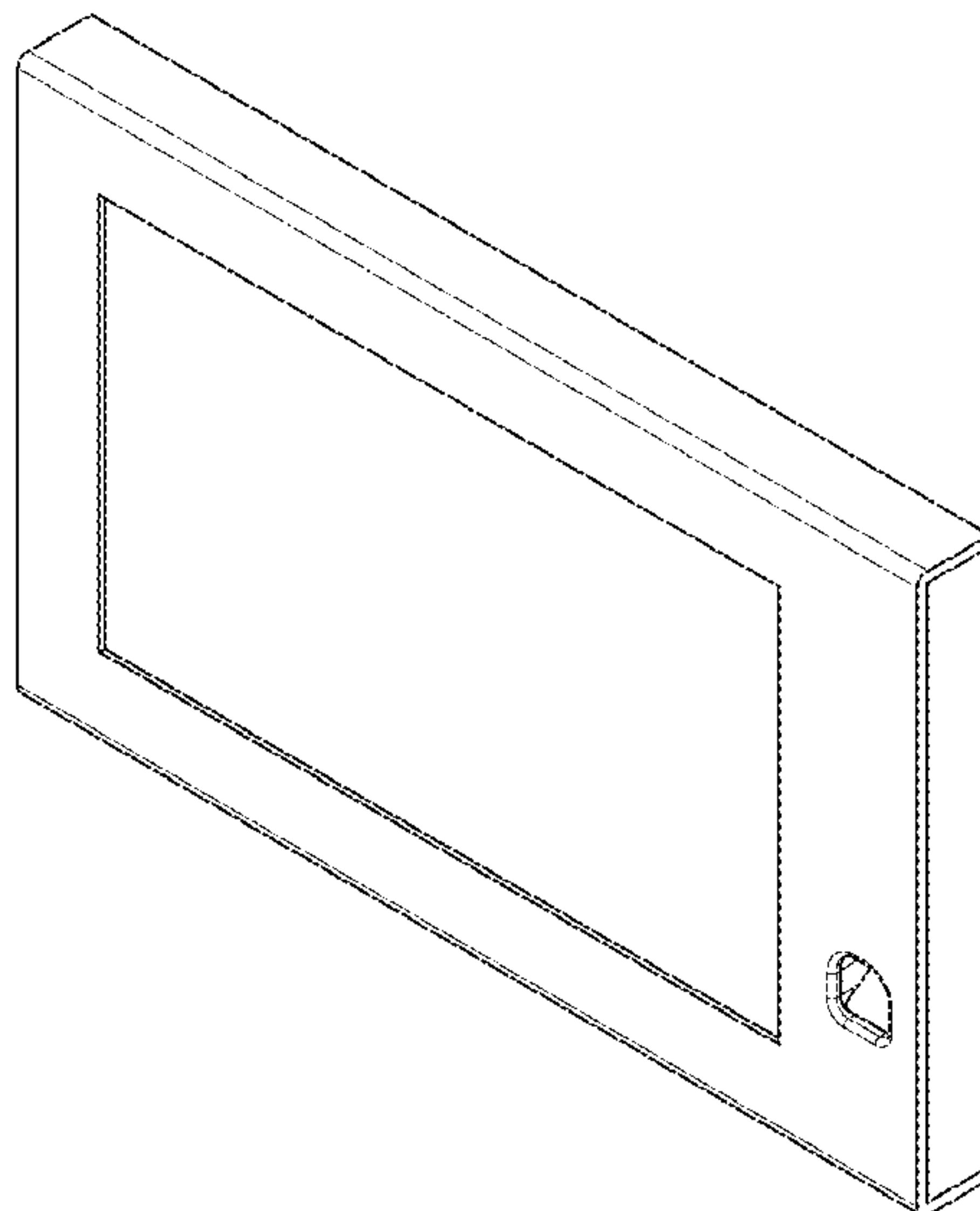
(57) **CLAIM**

The ornamental design for a panel, as shown and described.

DESCRIPTION

FIG. 1 is a front top right perspective view of a first embodiment of a panel showing my new design;
FIG. 2 is a front bottom left perspective view of the panel of FIG. 1;
FIG. 3 is a front elevational view of the panel of FIG. 1;
FIG. 4 is a rear elevational view of the panel of FIG. 1;
FIG. 5 is a top plan view of the panel of FIG. 1;
FIG. 6 is a bottom plan view of the panel of FIG. 1;
FIG. 7 is a right side elevational view of the panel of FIG. 1, the left side elevational view being a mirror image thereof;
FIG. 8 is a front top right perspective view of a second embodiment of a panel showing my new design;
FIG. 9 is a front bottom left perspective view of the panel of FIG. 8;
FIG. 10 is a front elevational view of the panel of FIG. 8;
FIG. 11 is a rear elevational view of the panel of FIG. 8;
FIG. 12 is a top plan view of the panel of FIG. 8;
FIG. 13 is a bottom plan view of the panel of FIG. 8; and,
FIG. 14 is a right side elevational view of the panel of FIG. 8, the left side elevational view being a mirror image thereof.
The broken lines depict unclaimed environmental subject matter and form no part of the claimed design.

1 Claim, 8 Drawing Sheets



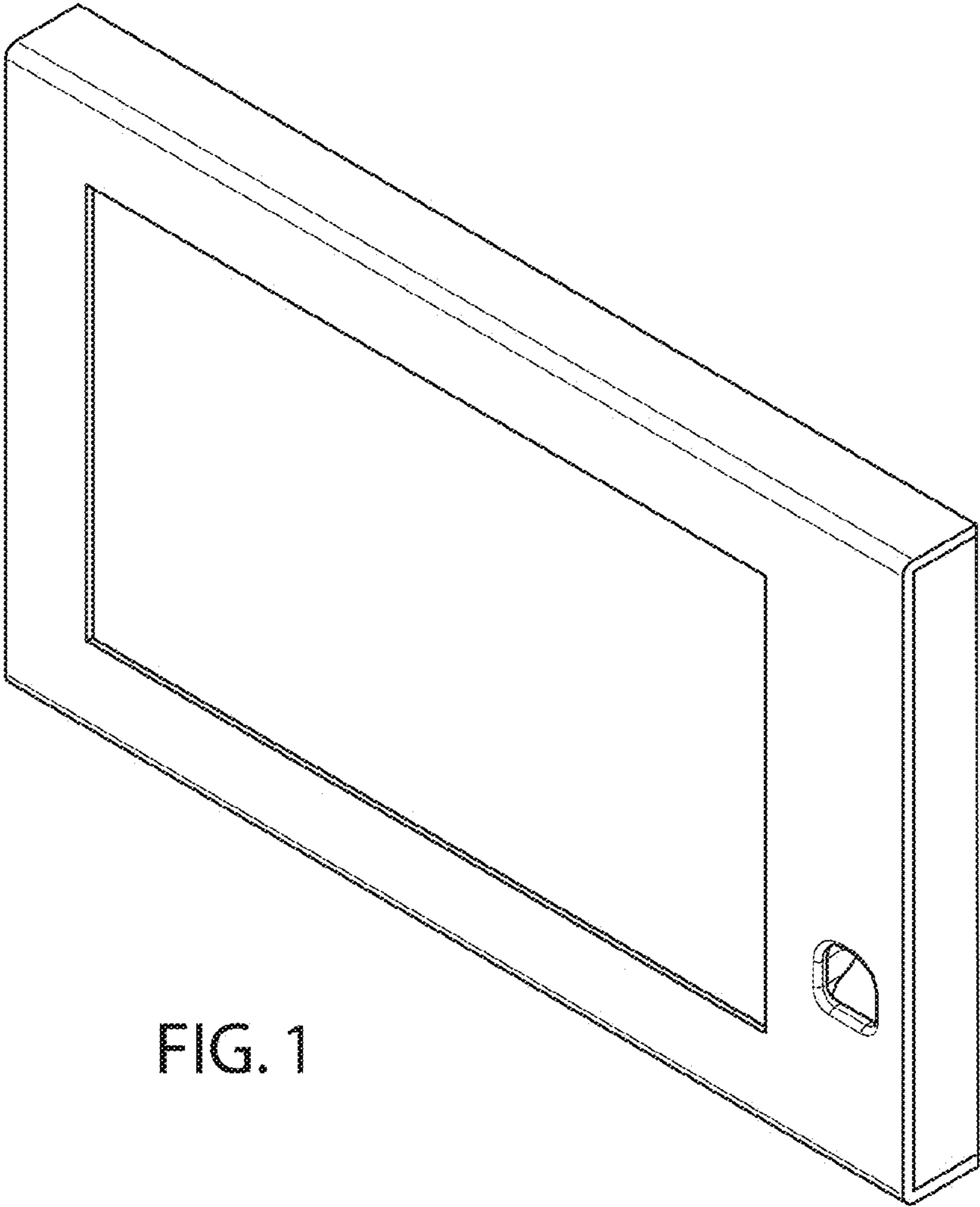


FIG. 1

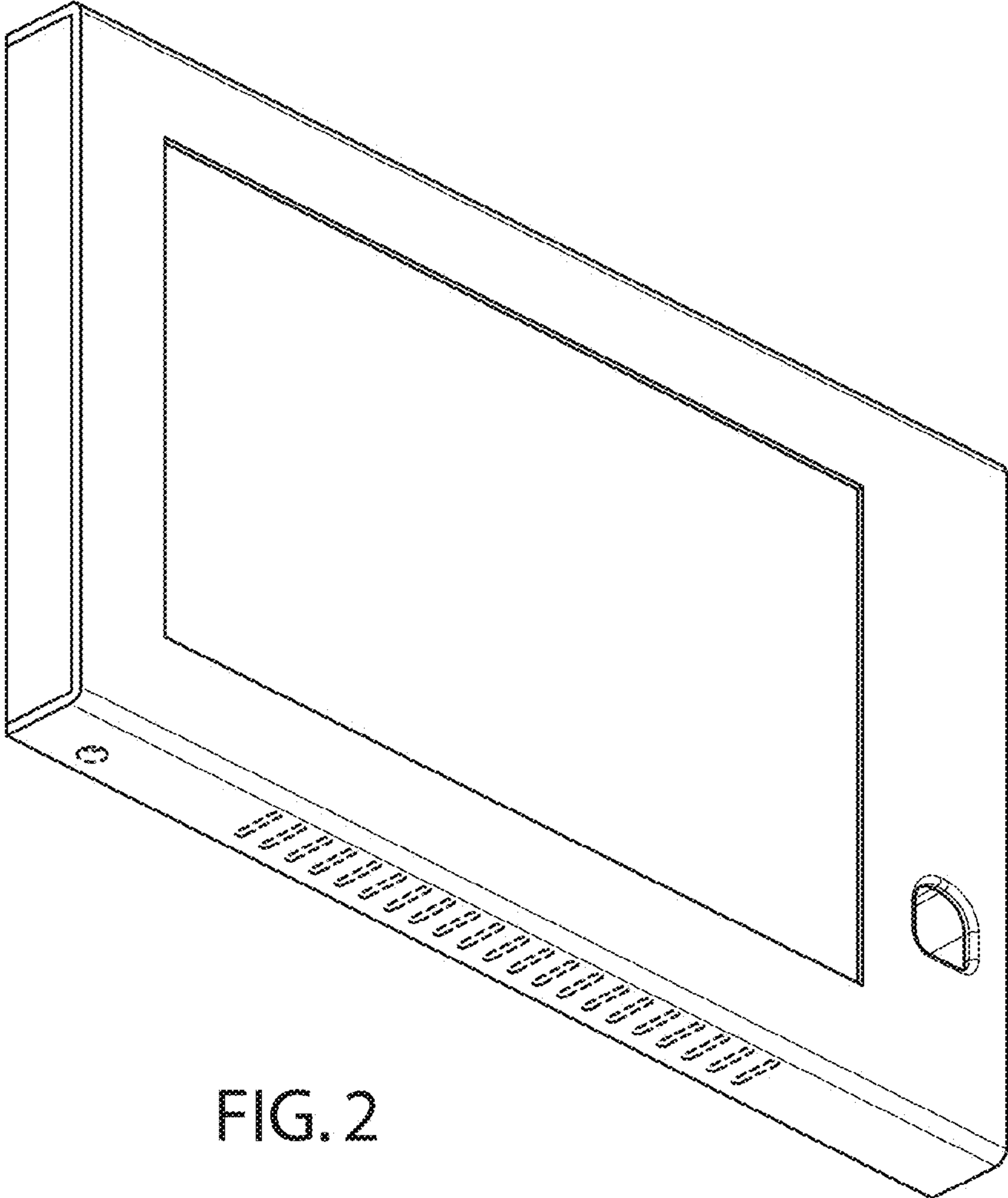


FIG. 2

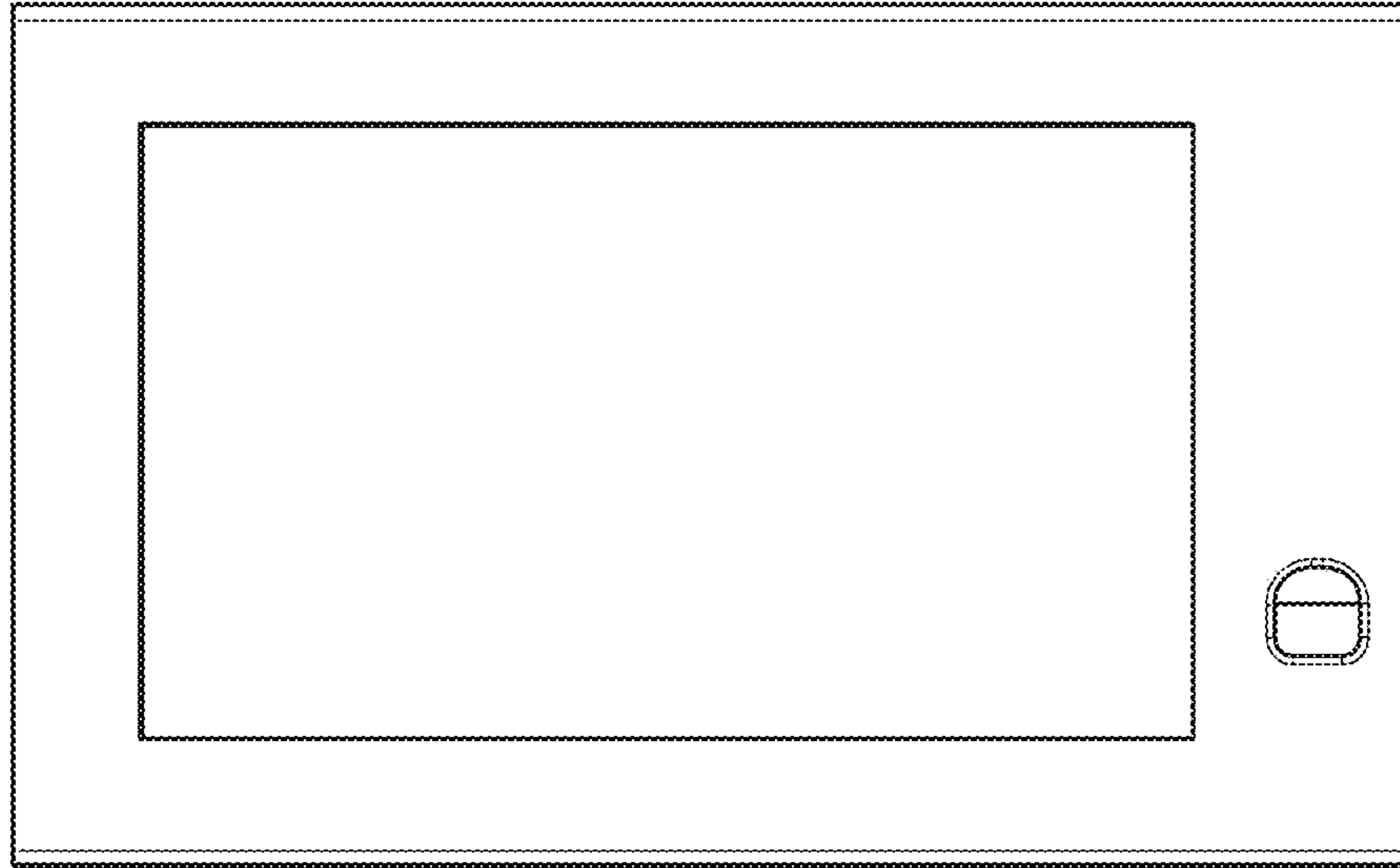


FIG. 3

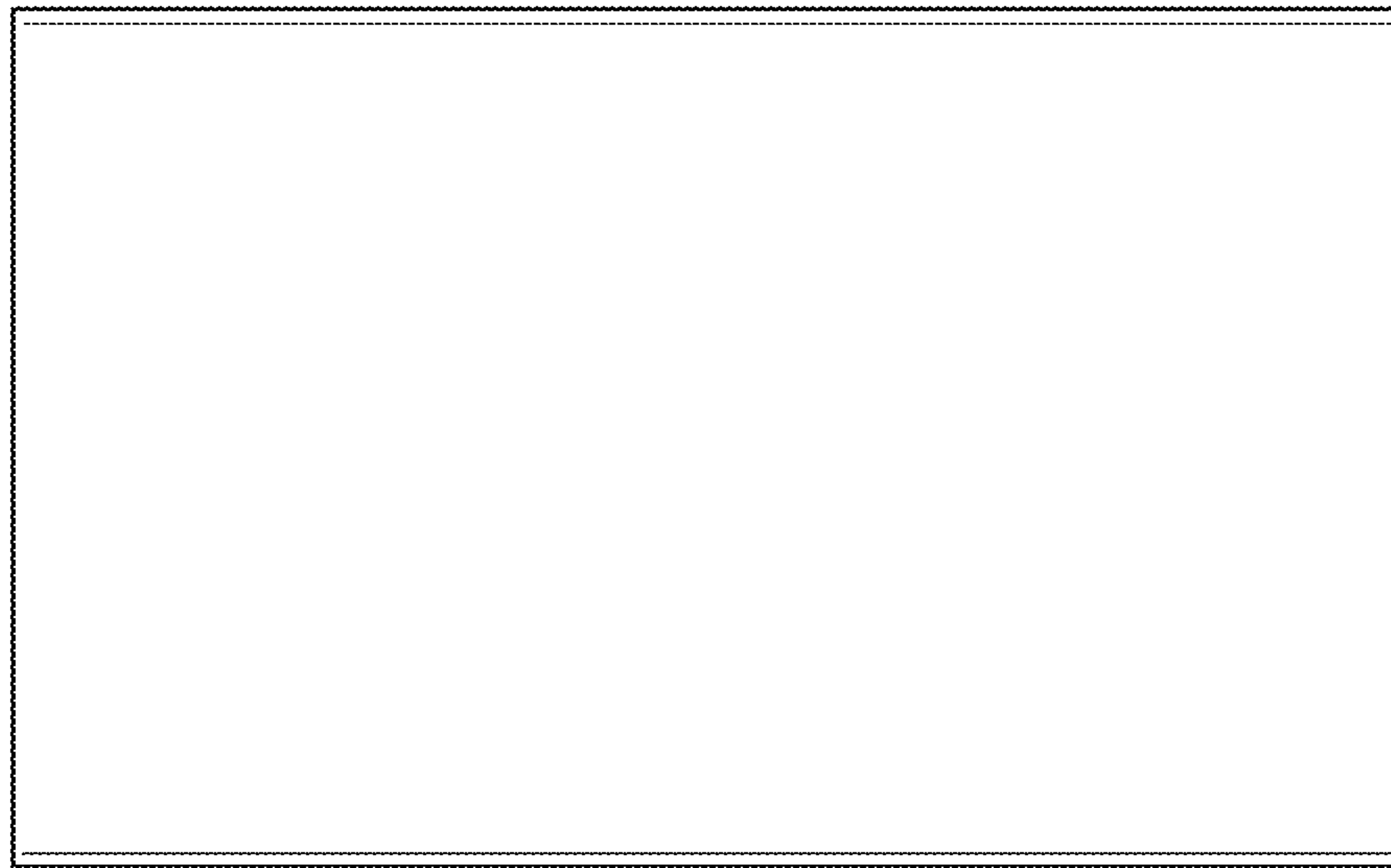


FIG. 4



FIG. 5



FIG. 6

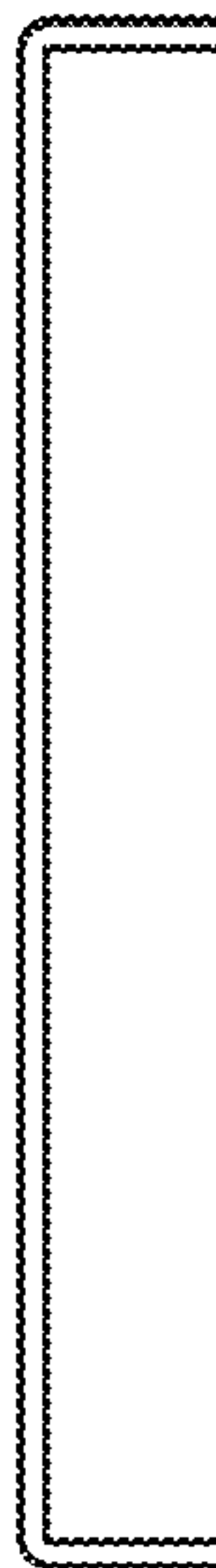


FIG. 7

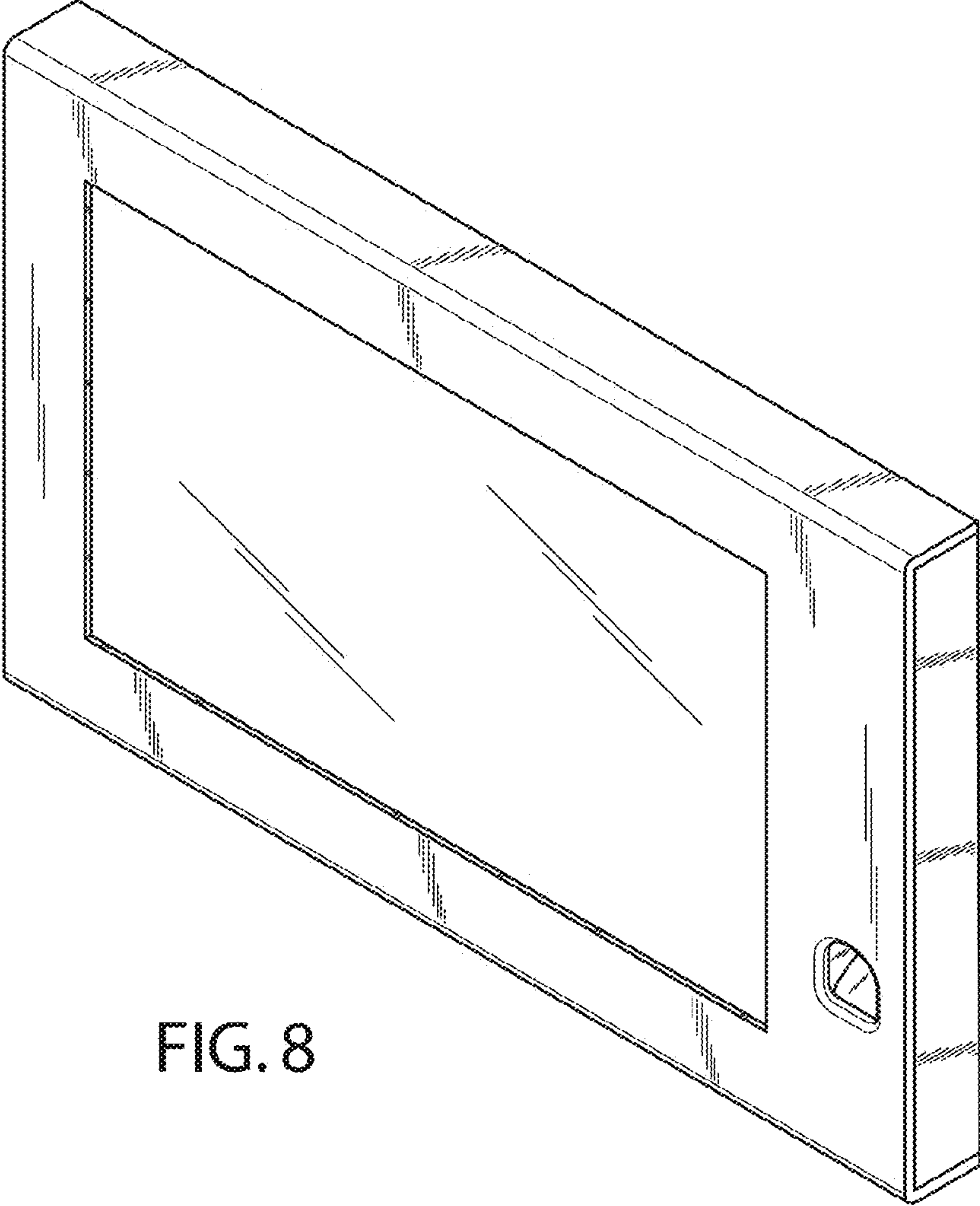


FIG. 8

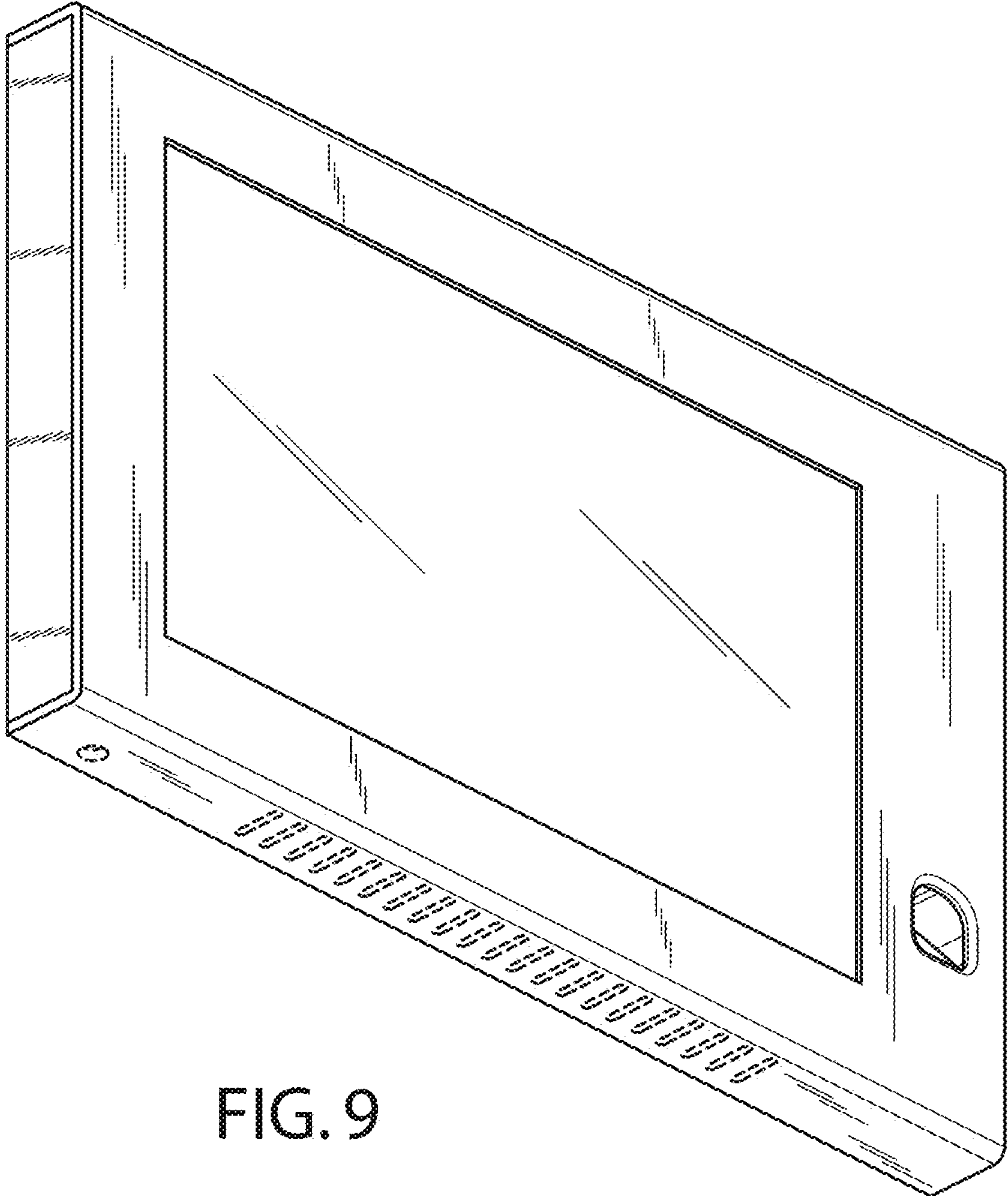


FIG. 9

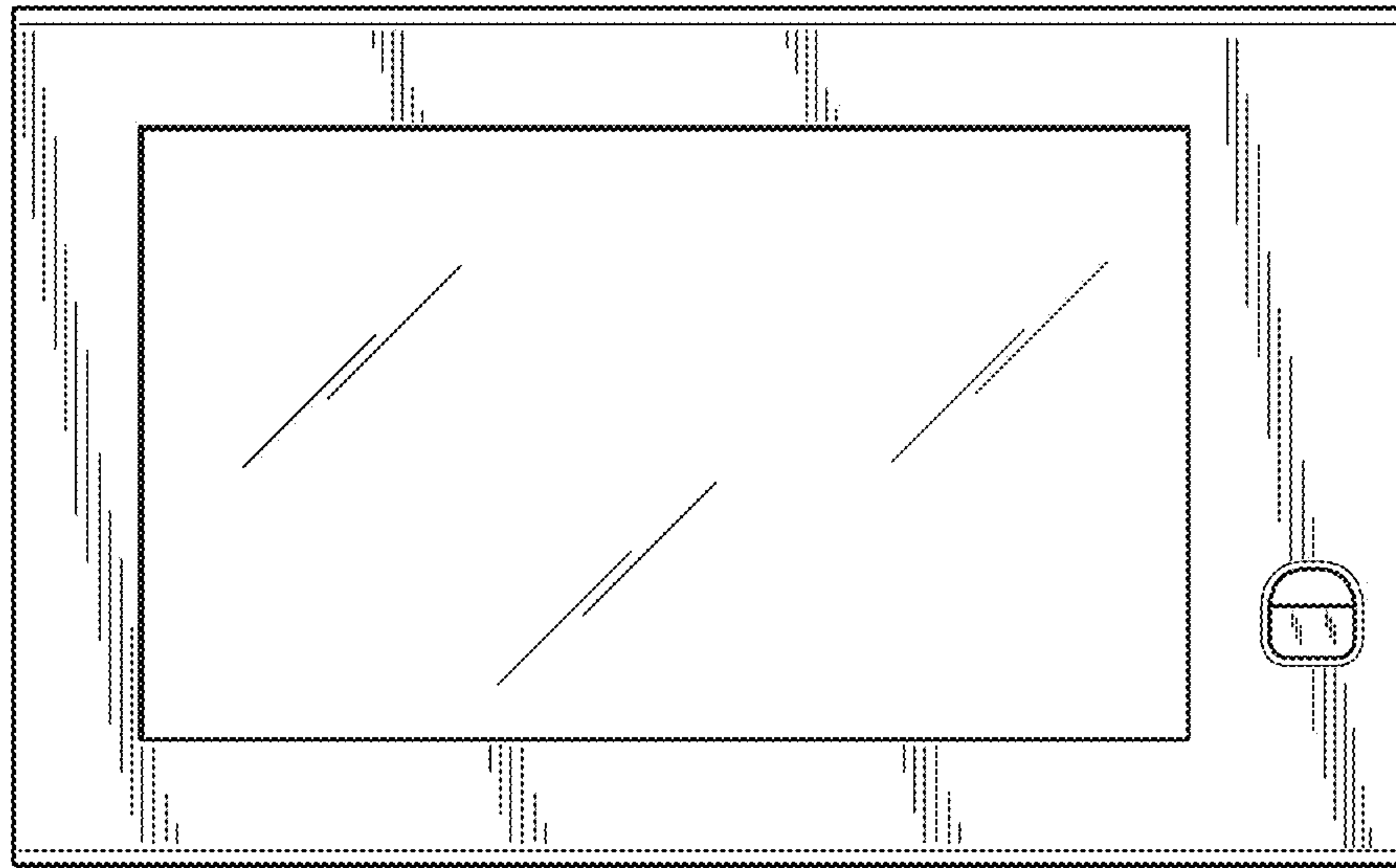


FIG. 10



FIG. 11



FIG. 12

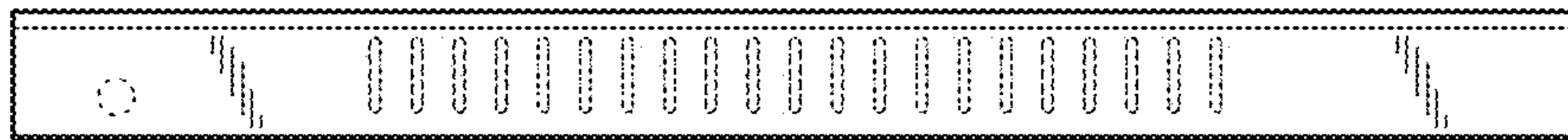


FIG. 13



FIG. 14