



US00D749072S

(12) **United States Design Patent**
Ji et al.

(10) **Patent No.:** **US D749,072 S**
(45) **Date of Patent:** **** Feb. 9, 2016**

(54) **MOBILE PHONE**

(71) Applicant: **LG Electronics Inc.**, Seoul (KR)

(72) Inventors: **Seunghyun Ji**, Seoul (KR); **Hyunwoo Yoo**, Seoul (KR); **Dongsoo Kim**, Seoul (KR)

(73) Assignee: **LG Electronics Inc.**, Seoul (KR)

(**) Term: **14 Years**

(21) Appl. No.: **29/497,063**

(22) Filed: **Jul. 21, 2014**

(30) **Foreign Application Priority Data**

Jan. 22, 2014 (KR) 30-2014-0003508

(51) **LOC (10) Cl.** **14-02**

(52) **U.S. Cl.**
USPC **D14/344**; D14/138 R; D10/38

(58) **Field of Classification Search**
USPC D14/140, 137, 138 R, 138 AB, 139, 144, D14/155, 167, 191, 192, 203.1, 203.3, D14/203.4, 203.5, 203.7, 248, 226, 218, D14/240, 344, 440, 341, 346, 448, 450, D14/496; D10/30-32, 37-39, 65, 70, 77, D10/78, 98, 104.1, 104.2, 125; D11/3-5, D11/12, 19, 25; D13/168; D3/215; D15/199; 381/364, 151; 379/433.1; 455/575.1, 575.3, 575.4, 575.6, 556.1, 455/556.2, 558, 90.3; 368/10, 13, 69, 223, 368/281, 282, 294, 295, 296; D21/329, D21/513; D24/167, 186
CPC H04B 1/03; H04B 1/385; G04G 9/00; G04G 17/00; G04G 17/04; G04G 17/06; G04G 17/083; H04M 1/0227; H04M 1/03; H04M 1/04

See application file for complete search history.

(56) **References Cited**

U.S. PATENT DOCUMENTS

| | | | | | | |
|-----------|---|---|---------|----------------|-------|---------|
| D103,455 | S | * | 3/1937 | Katz | | D10/38 |
| D236,592 | S | * | 9/1975 | Portmann | | D10/32 |
| D238,758 | S | * | 2/1976 | Schulthess | | D10/38 |
| D260,411 | S | * | 8/1981 | Rubin | | D21/513 |
| 4,419,770 | A | * | 12/1983 | Yagi et al. | | 455/301 |
| D279,671 | S | * | 7/1985 | Stanton | | D14/192 |
| D296,675 | S | * | 7/1988 | Jones et al. | | D10/31 |
| D297,312 | S | * | 8/1988 | Ishizaka | | D10/32 |
| D299,028 | S | * | 12/1988 | Hermann | | D14/344 |
| 5,218,577 | A | * | 6/1993 | Seager | | 368/10 |
| 5,235,560 | A | * | 8/1993 | Seager | | 368/10 |
| 5,381,387 | A | * | 1/1995 | Blonder et al. | | 368/10 |

(Continued)

OTHER PUBLICATIONS

12 Star Trek gadgets that became reality. slipperybrick.com (online) 1 pg. Uploaded: Jan. 29, 2008 [retrieved on Jun. 22, 2015]. Retrieved from Internet: <<http://www.slipperybrick.com/2008/01/star-trek-gadgets/>>.*

Primary Examiner — Susan Bennett Hattan

Assistant Examiner — Marie Fast Horse

(74) *Attorney, Agent, or Firm* — Morgan, Lewis & Bockius LLP

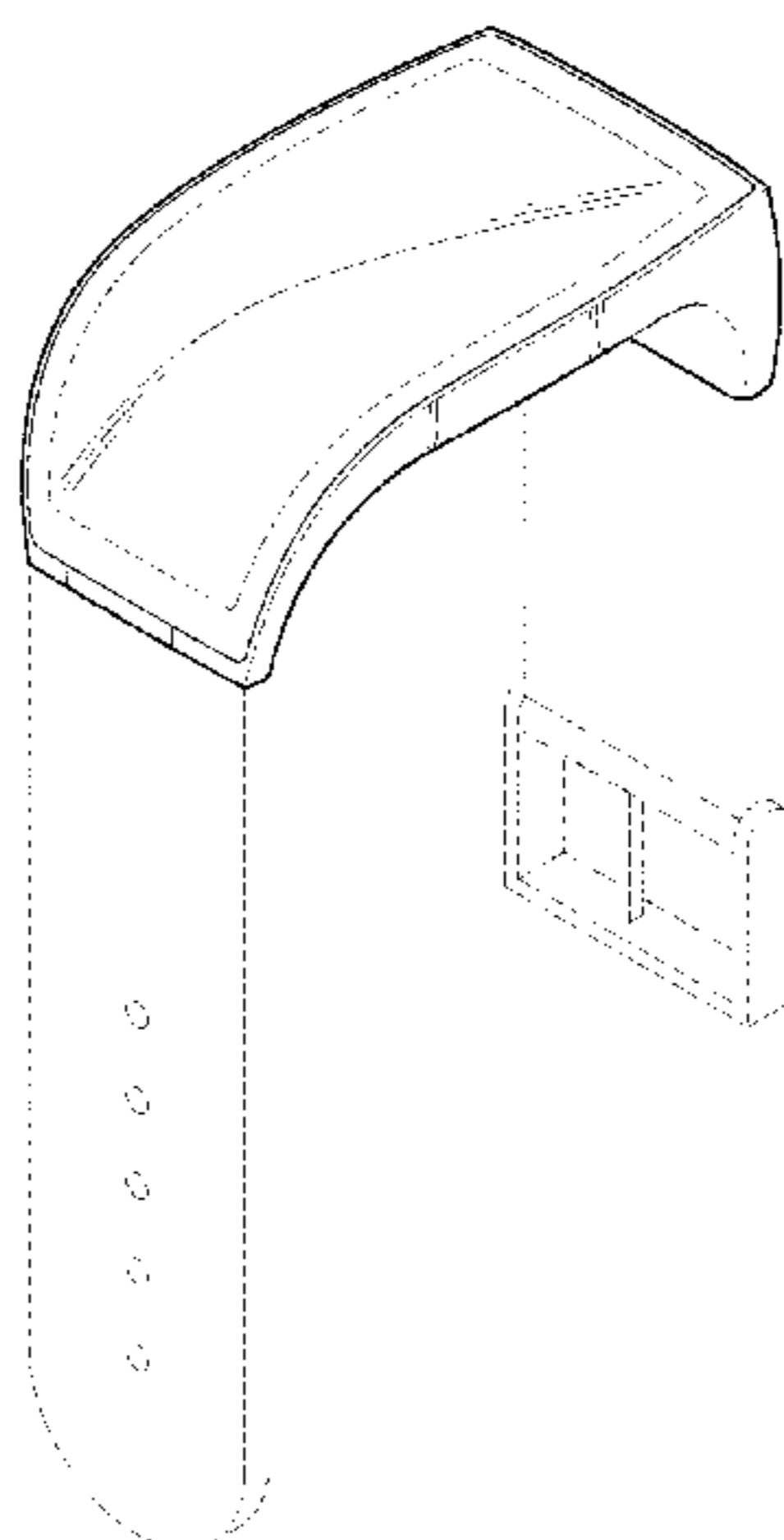
(57) **CLAIM**

The ornamental design for a mobile phone, as shown and described.

DESCRIPTION

FIG. 1 is a perspective view of a mobile phone showing our new design;
FIG. 2 is a front view thereof;
FIG. 3 is a rear view thereof;
FIG. 4 is a left side view thereof;
FIG. 5 is a right side view thereof;
FIG. 6 is a top plan view thereof; and,
FIG. 7 is a bottom plan view thereof.
The broken lines depict parts of the mobile phone that form no part of the claimed design.

1 Claim, 6 Drawing Sheets



(56)

References Cited

U.S. PATENT DOCUMENTS

| | | | | | | | |
|----------------|---------|------------------------|-----------|-------------------|---------|-----------------------------|-----------|
| D398,246 S * | 9/1998 | Bruce et al. | D10/30 | D709,476 S * | 7/2014 | Park et al. | D14/138 R |
| D449,008 S * | 10/2001 | Sargent | D10/32 | D720,074 S * | 12/2014 | Suvilaakso et al. | D24/167 |
| 6,564,075 B1 * | 5/2003 | Mitamura | 455/575.1 | D725,068 S * | 3/2015 | Cho et al. | D14/138 R |
| D488,391 S * | 4/2004 | Kume | D10/32 | D725,072 S * | 3/2015 | Kim et al. | D14/138 R |
| D496,590 S * | 9/2004 | Chung et al. | D10/31 | D726,140 S * | 4/2015 | Park et al. | D14/138 R |
| D543,192 S * | 5/2007 | Jung | D14/138 R | D727,195 S * | 4/2015 | Wanliss-Orlebar et al. | D11/3 |
| D568,768 S * | 5/2008 | Tang | D10/30 | D730,348 S * | 5/2015 | Grifoni | D14/344 |
| D589,375 S * | 3/2009 | Tang | D10/32 | 2002/0103014 A1 * | 8/2002 | Hutchison et al. | 455/575 |
| 7,828,697 B1 * | 11/2010 | Oberrieder et al. | 482/8 | 2006/0203621 A1 * | 9/2006 | Brodmann | 368/281 |
| D636,686 S * | 4/2011 | Cobbett et al. | D10/38 | 2009/0201767 A1 * | 8/2009 | Caldwell | 368/10 |
| | | | | 2013/0211204 A1 * | 8/2013 | Caduff et al. | 600/300 |
| | | | | 2013/0261405 A1 * | 10/2013 | Lee et al. | 600/301 |
| | | | | 2015/0099472 A1 * | 4/2015 | Ickovic | 455/66.1 |

* cited by examiner

FIG. 1

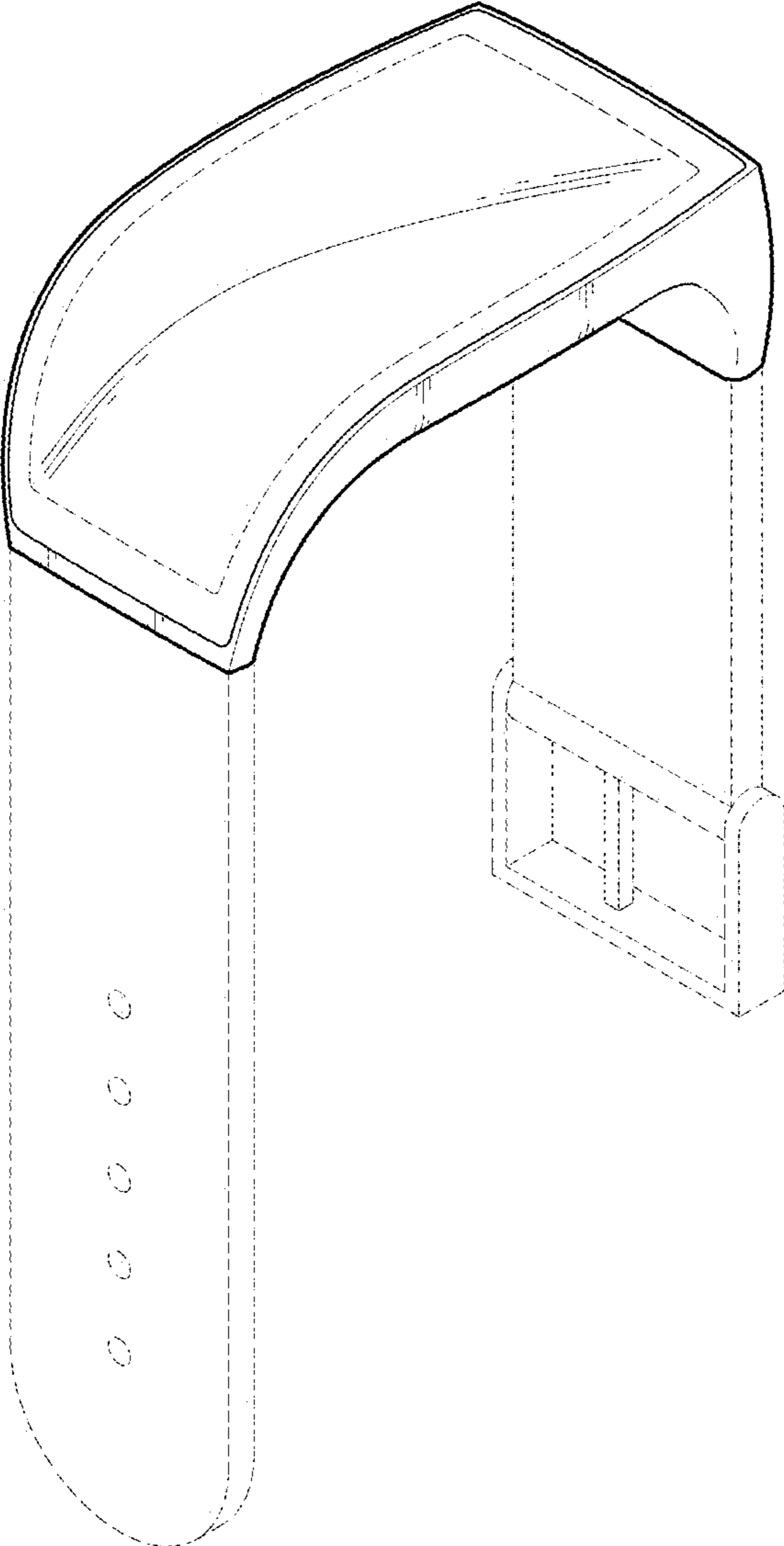


FIG. 2

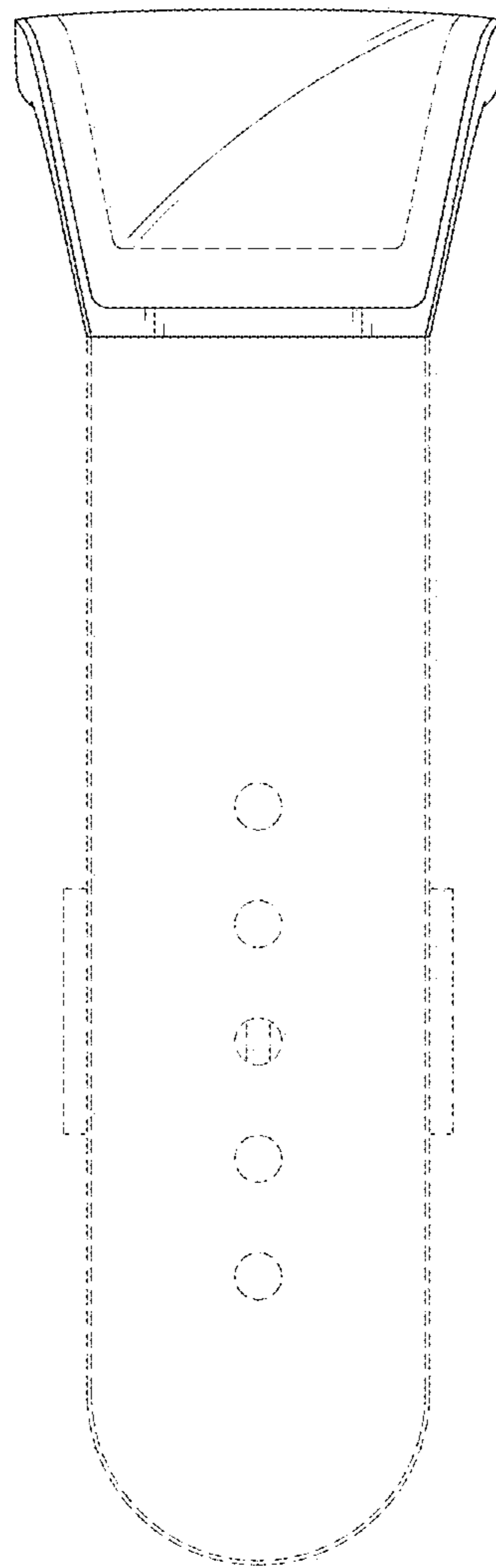


FIG. 3

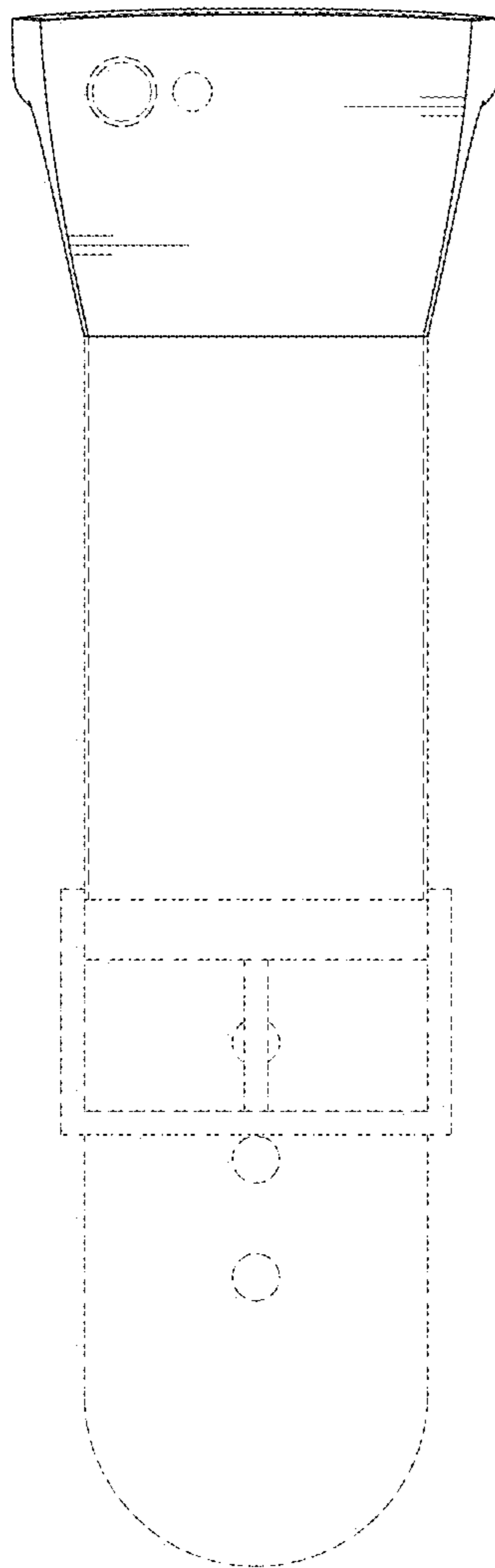


FIG. 4

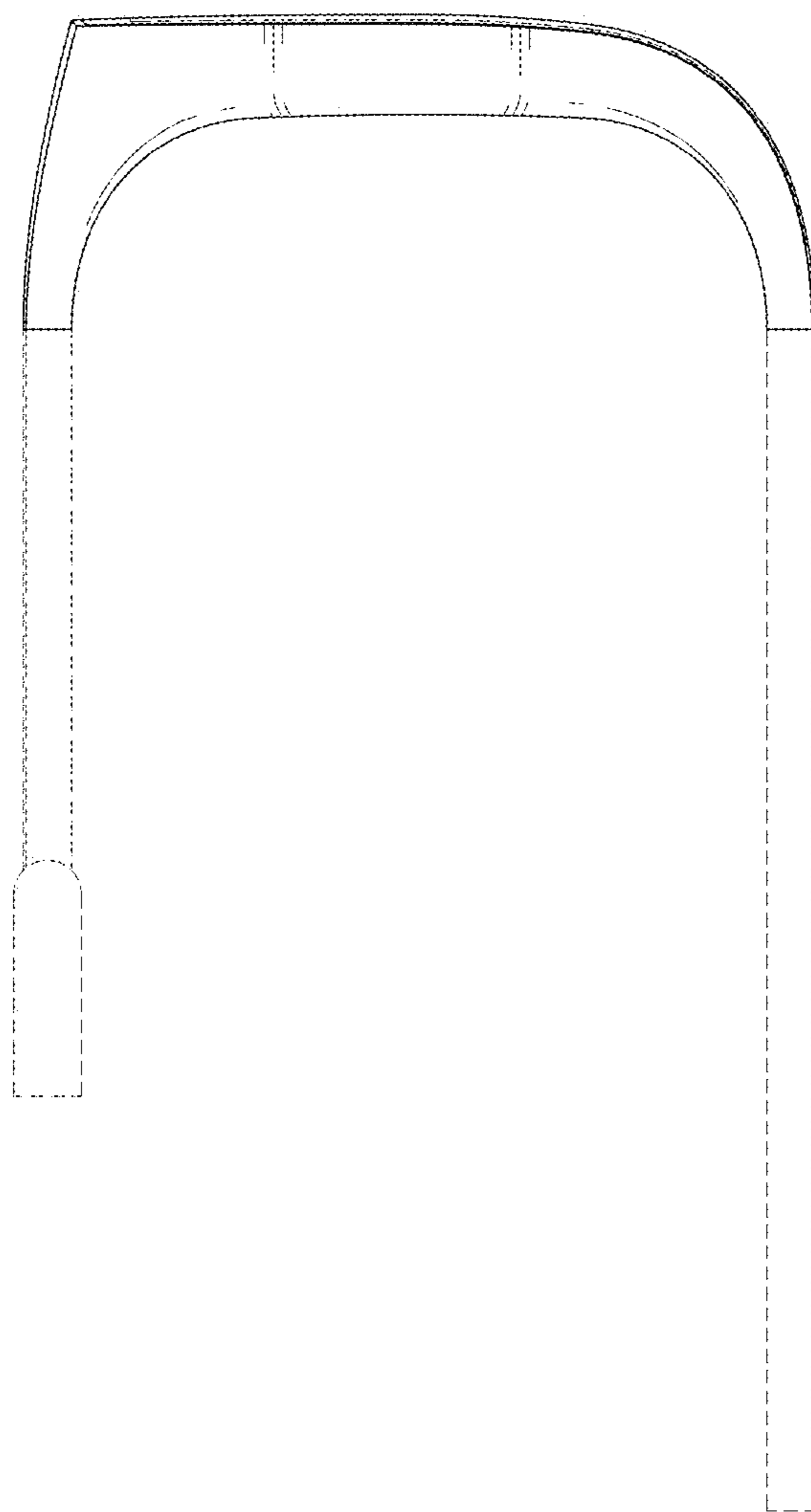


FIG. 5

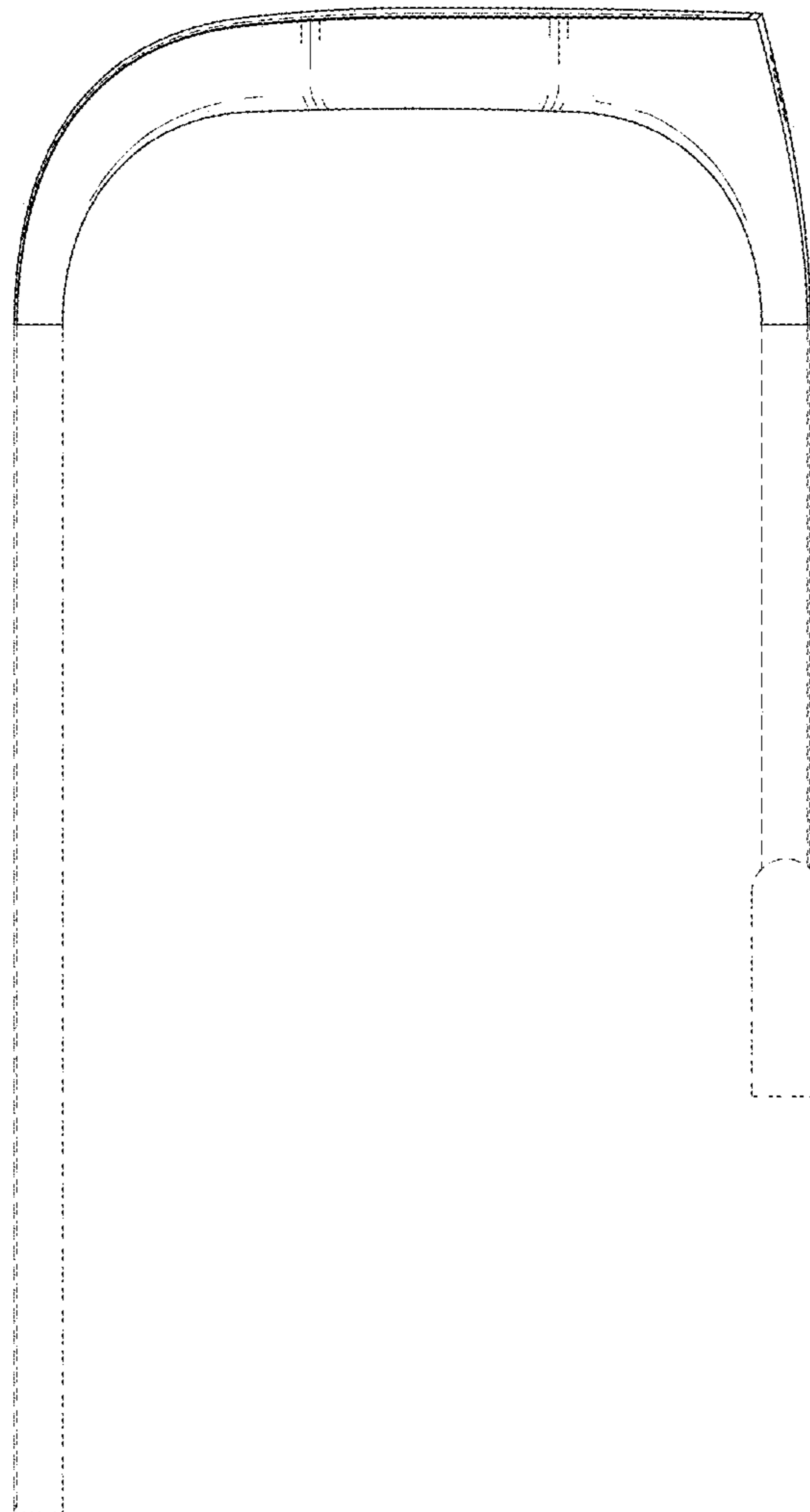


FIG. 6

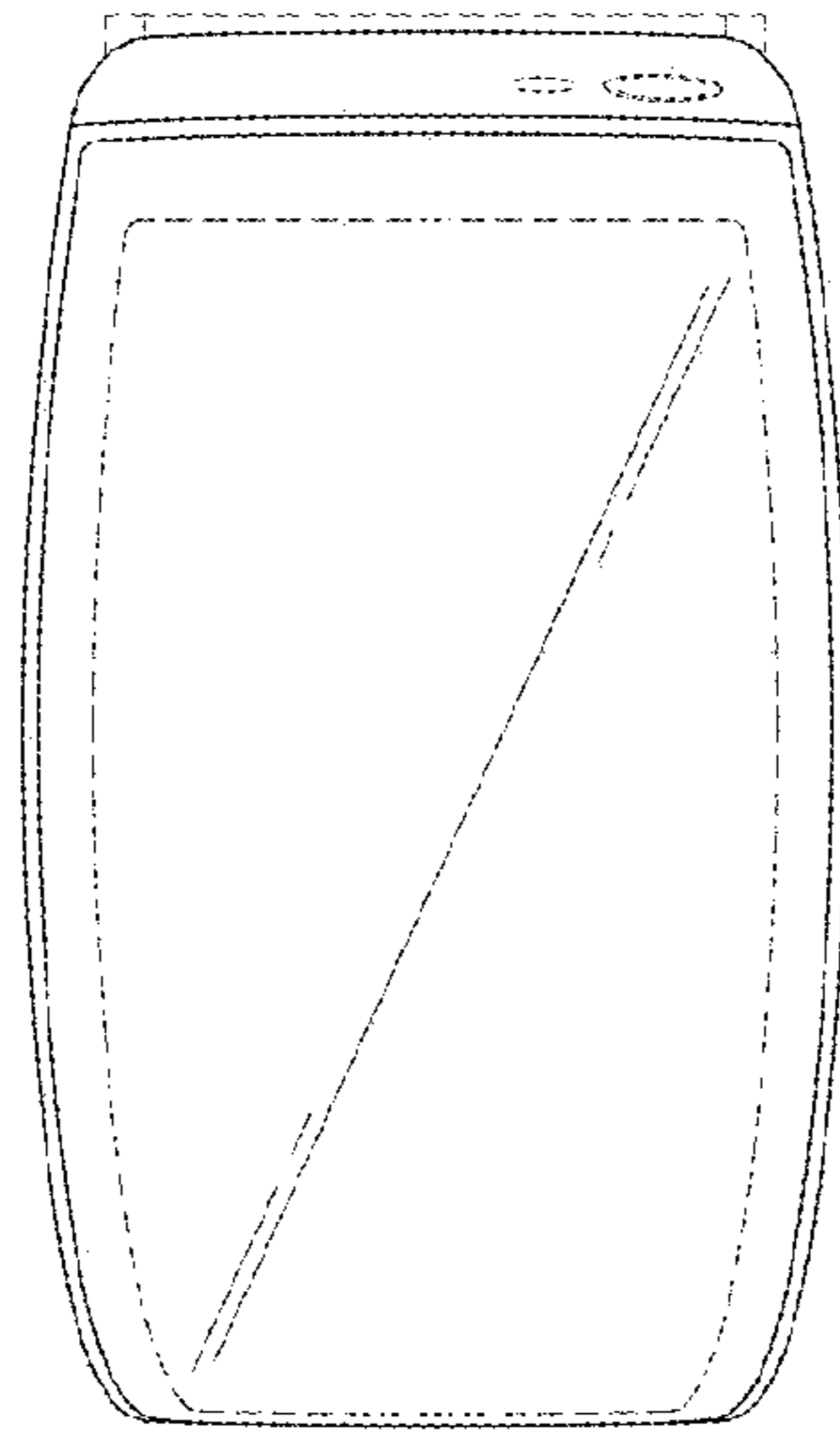


FIG. 7

