



US00D749067S

(12) **United States Design Patent**
Choe et al.

(10) **Patent No.:** **US D749,067 S**
(45) **Date of Patent:** **** Feb. 9, 2016**

- (54) **CASE FOR CELLULAR PHONE**
- (71) Applicant: **LG ELECTRONICS INC.**, Seoul (KR)
- (72) Inventors: **Sharim Choe**, Seoul (KR); **Kyubong Choi**, Gyeonggi-do (KR); **Joonhyung Kim**, Gyeonggi-do (KR)
- (73) Assignee: **LG Electronics Inc.**, Seoul (KR)
- (**) Term: **14 Years**
- (21) Appl. No.: **29/488,989**
- (22) Filed: **Apr. 25, 2014**
- (30) **Foreign Application Priority Data**

Nov. 8, 2013 (KR) 30-2013-0056418

- (51) **LOC (10) Cl.** **14-03**
- (52) **U.S. Cl.**
USPC **D14/250**
- (58) **Field of Classification Search**
USPC D14/238.1, 250, 440, 203.3-203.7, 217,
D14/240, 248, 251-253, 447, 496; D3/201,
D3/218, 247, 269, 273, 301, 303;
D13/103, 107-108, 119
CPC A45C 1/06; A45C 11/00; A45C 13/02;
A45C 2011/002; A45F 5/02; A45F 2005/026;
A45F 2200/0525; A45F 2200/0516; H04B
1/3888; H04M 1/0283; H04M 1/0202
See application file for complete search history.

(56) **References Cited**
U.S. PATENT DOCUMENTS

- D551,856 S * 10/2007 Ko D3/201
- D557,494 S * 12/2007 Mayette D3/218
- D594,849 S * 6/2009 Ko D14/217
- D668,458 S * 10/2012 Lee D3/303
- D685,801 S * 7/2013 Canizares D14/440
- D695,745 S * 12/2013 Kim D14/440
- D704,181 S * 5/2014 Stevinson D14/250
- D705,207 S * 5/2014 Kim D14/250
- D705,783 S * 5/2014 Weng D14/440

- D706,270 S * 6/2014 Akana D14/440
- D706,753 S * 6/2014 Kim D14/250
- D707,218 S * 6/2014 YoonYoung D14/250
- D714,280 S * 9/2014 Ahn D14/250
- D716,286 S * 10/2014 Ahn D14/250
- D723,020 S * 2/2015 Kim D14/250
- D723,038 S * 2/2015 Kim D14/440
- D728,553 S * 5/2015 Kim D14/250
- D730,342 S * 5/2015 Kim D14/250
- D739,395 S * 9/2015 Kim D14/250
- D741,311 S * 10/2015 Kim D14/250
- D741,312 S * 10/2015 Kim D14/250
- 2008/0053770 A1 * 3/2008 Tynyk A45C 11/00
190/100
- 2008/0053852 A1 * 3/2008 Ko A45C 11/00
206/320
- 2009/0321291 A1 * 12/2009 Asla A45C 11/00
206/320
- 2015/0155903 A1 * 6/2015 Jang H04B 1/3888
455/575.8

* cited by examiner

Primary Examiner — Carla Jobe Wright

(74) *Attorney, Agent, or Firm* — Morgan, Lewis & Bockius LLP

(57) **CLAIM**
The ornamental design for a case for cellular phone, as shown and described.

DESCRIPTION

FIG. 1 is a front, left side, perspective view of a case for cellular phone showing our new design;
 FIG. 2 is a front view thereof;
 FIG. 3 is a rear view thereof;
 FIG. 4 is a left side view thereof;
 FIG. 5 is a right side view thereof;
 FIG. 6 is a top view thereof;
 FIG. 7 is a bottom view thereof;
 FIG. 8 is a rear, perspective view thereof; and,
 FIG. 9 is a perspective view thereof showing an environmental state.
 The broken lines are for illustrative purposes only and form no part of the claimed design.

1 Claim, 7 Drawing Sheets

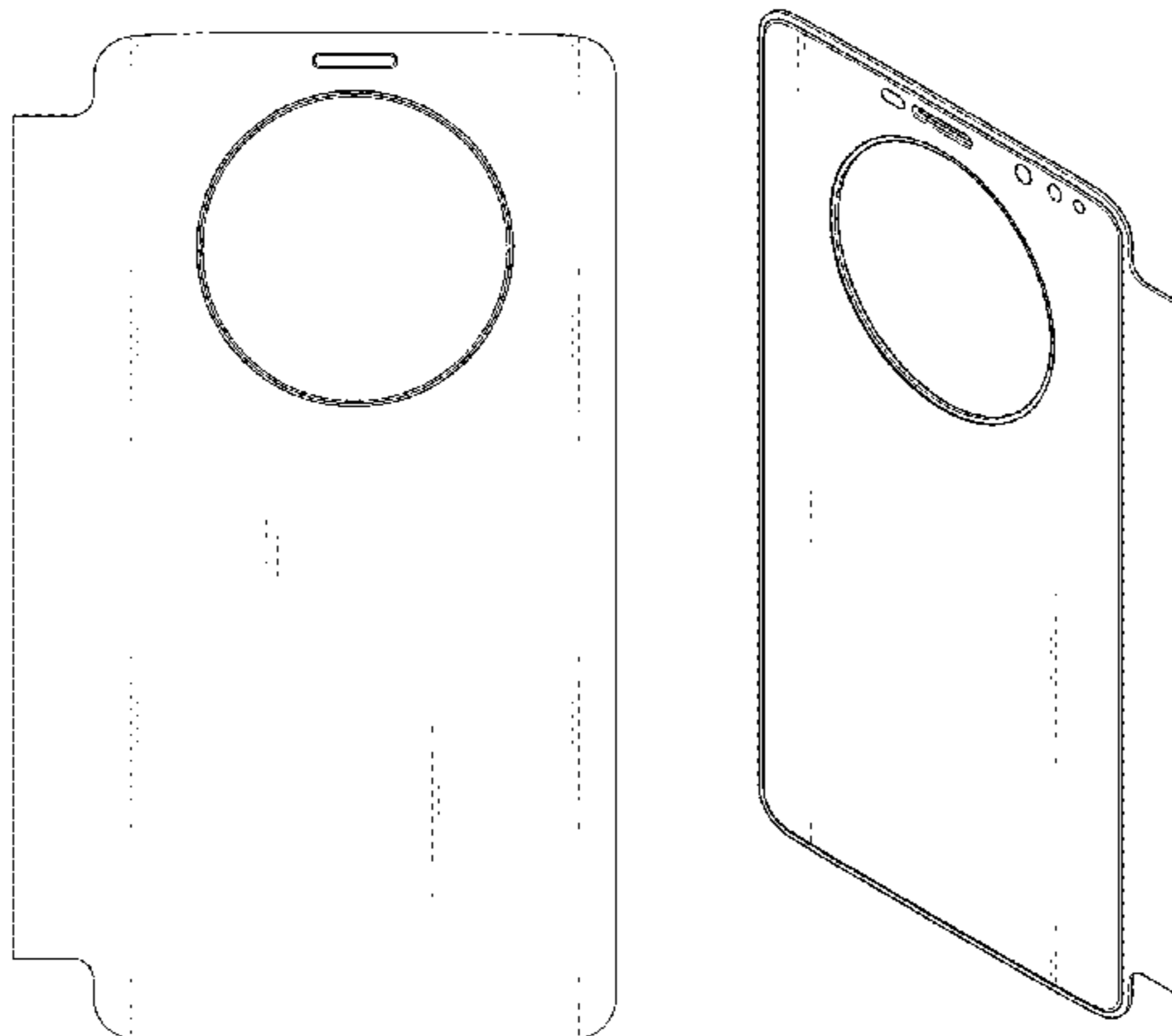


FIG. 1

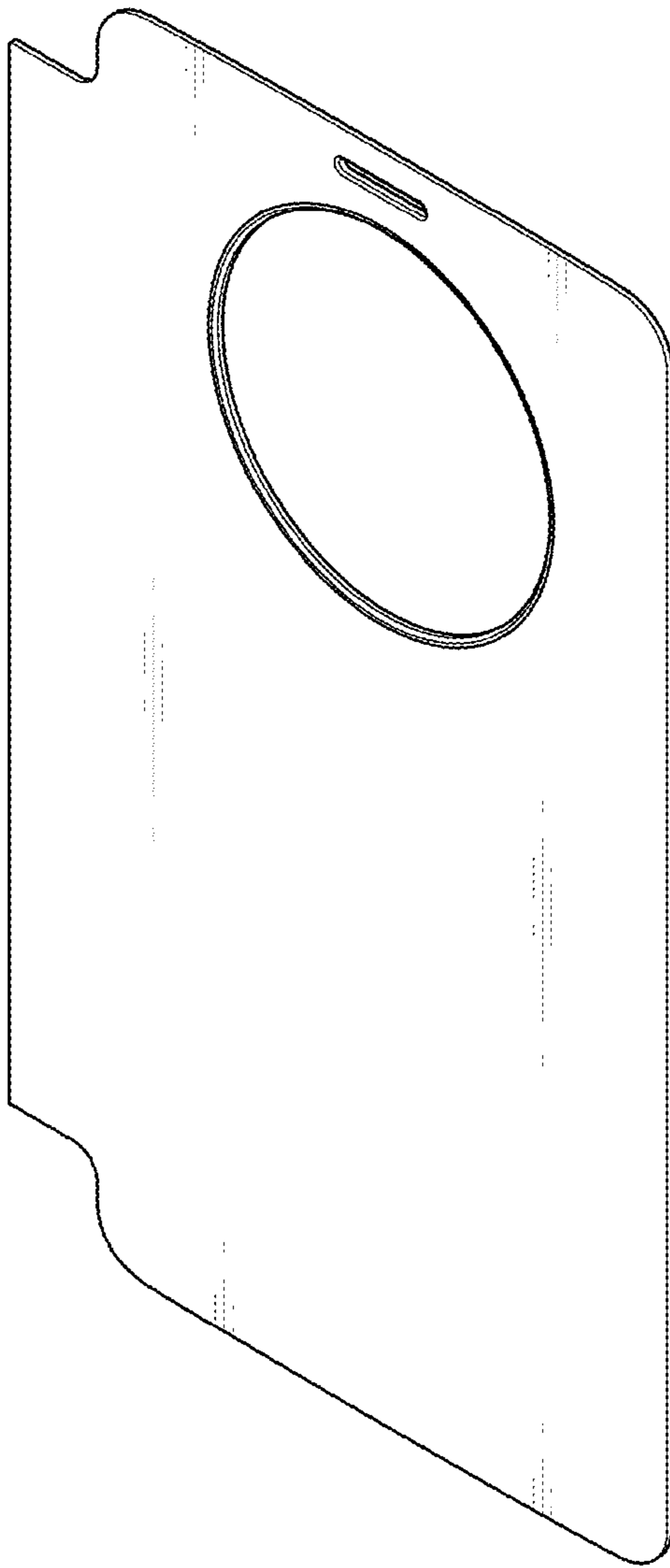


FIG. 2

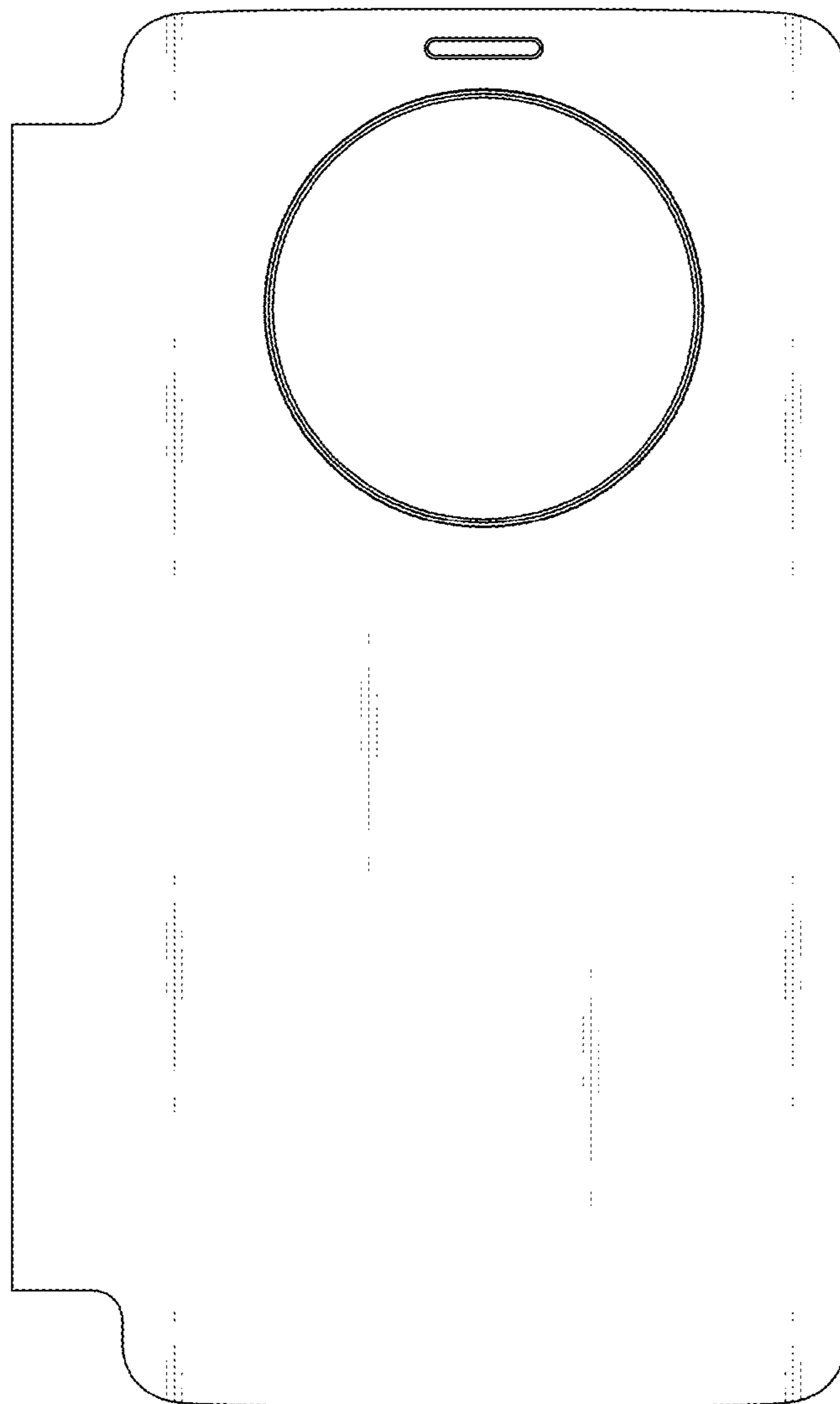


FIG. 3

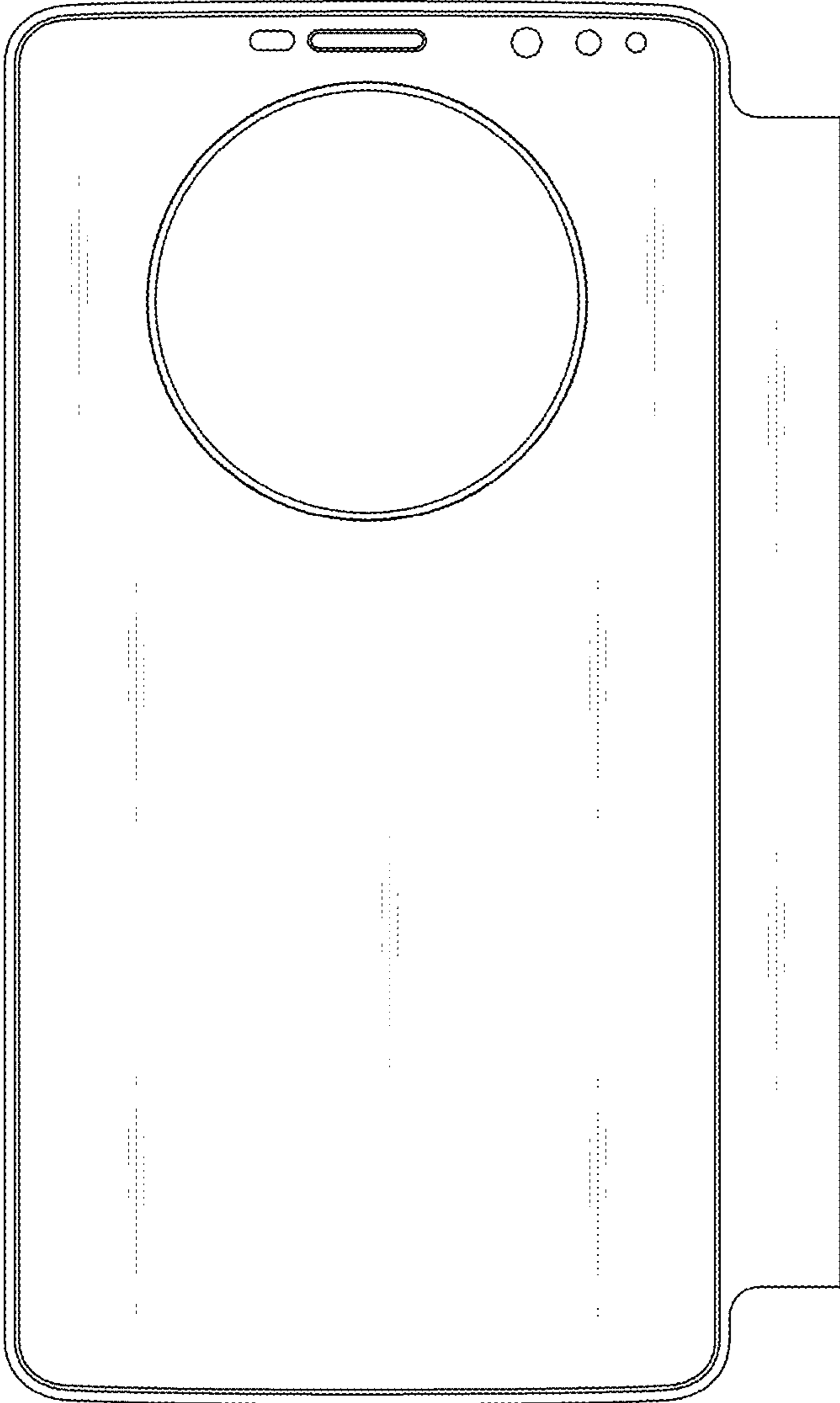


FIG. 4



FIG. 5



FIG. 6



FIG. 7



FIG. 8

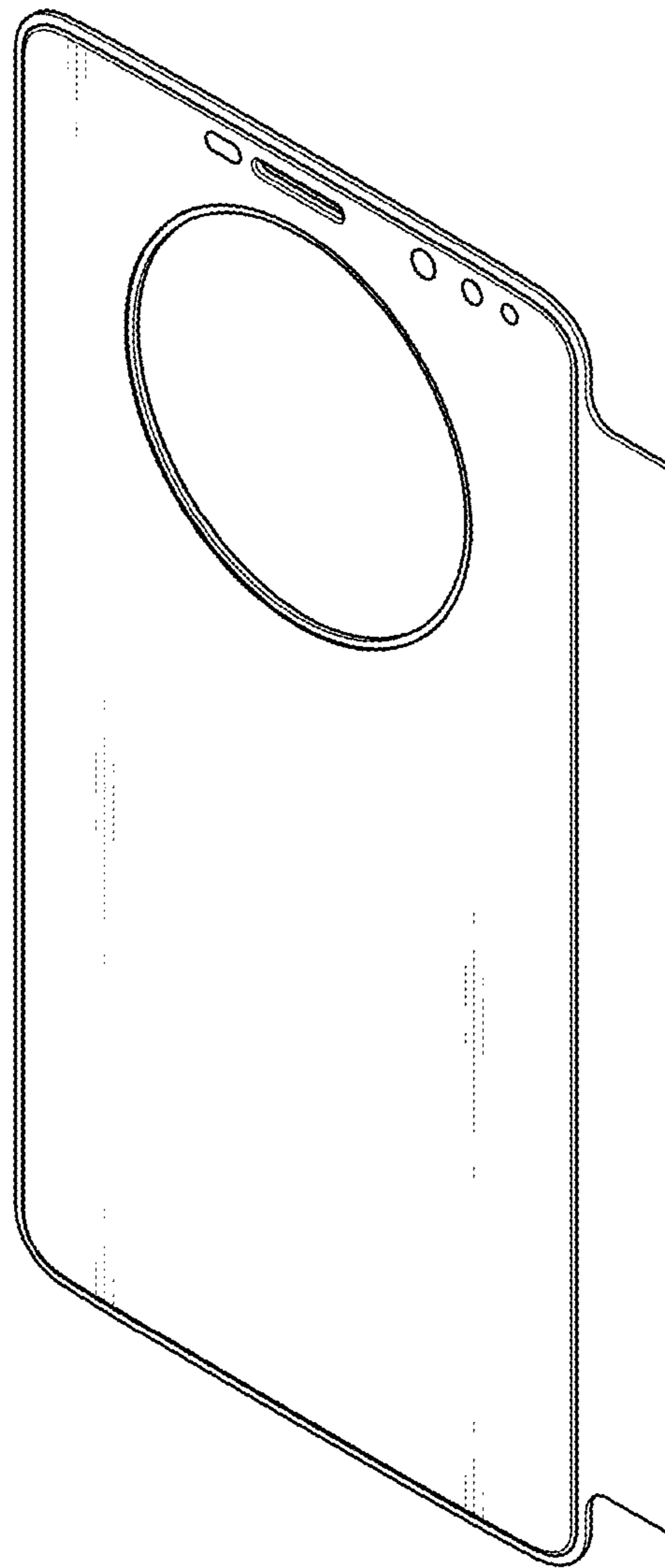


FIG. 9

