



US00D749065S

(12) **United States Design Patent**
Zetsu

(10) **Patent No.:** **US D749,065 S**
(45) **Date of Patent:** **** Feb. 9, 2016**

- (54) **BASE STATION**
- (71) Applicant: **FUJITSU LIMITED**, Kawasaki-shi, Kanagawa (JP)
- (72) Inventor: **Yuki Zetsu**, Yokohama (JP)
- (73) Assignee: **FUJITSU LIMITED**, Kawasaki (JP)
- (**) Term: **14 Years**
- (21) Appl. No.: **29/488,814**
- (22) Filed: **Apr. 23, 2014**

D598,436 S *	8/2009	Tseng	D14/240
D616,426 S *	5/2010	Ju et al.	D14/240
D641,019 S *	7/2011	Chen et al.	D14/356
D658,647 S *	5/2012	Tsai	D14/356
D669,060 S *	10/2012	Huang	D14/240
D717,284 S *	11/2014	Kurosawa et al.	D14/240
D733,692 S *	7/2015	Wu et al.	D14/242
D735,667 S *	8/2015	Mielnik et al.	D13/123

- (30) **Foreign Application Priority Data**
- Nov. 14, 2013 (JP) 2013-026695
- (51) **LOC (10) Cl.** **14-03**
- (52) **U.S. Cl.**
- USPC **D14/242**
- (58) **Field of Classification Search**
- USPC D14/240, 242, 357, 358, 140-140.9, D14/155, 137, 139, 243, 433
- CPC H04L 12/00; H03K 17/00; H04W 88/00; H04W 88/005; H04W 88/02; H04W 88/08; H04W 88/085; H04W 88/10; H04W 88/12; H04W 88/14; H04B 1/38
- See application file for complete search history.

FOREIGN PATENT DOCUMENTS

CN	303232746	*	6/2015
JP	D1159773	*	10/2002

* cited by examiner

Primary Examiner — Bridget L Eland
(74) *Attorney, Agent, or Firm* — Staas & Halsey LLP

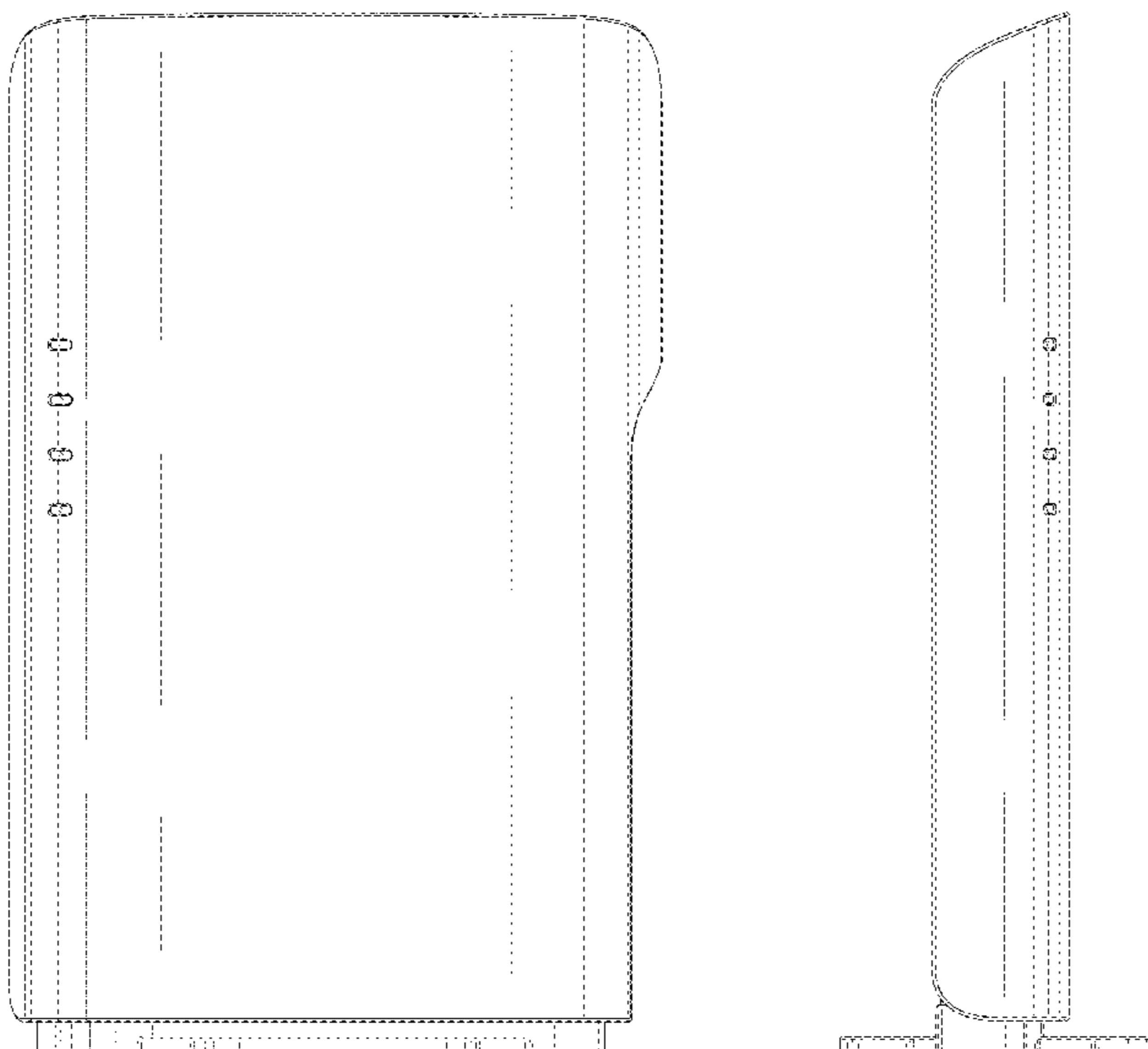
(57) **CLAIM**
The ornamental design for a base station, as shown and described.

DESCRIPTION

FIG. 1 is a perspective view of front, top and left side of a base station showing my new design;
FIG. 2 is a perspective view of rear, top and right side thereof;
FIG. 3 is a front view thereof;
FIG. 4 is a rear view thereof;
FIG. 5 is a left side view thereof;
FIG. 6 is a right side view thereof;
FIG. 7 is a top view thereof;
FIG. 8 is a bottom view thereof; and,
FIG. 9 is a perspective view thereof showing a state that a stand is attached on a rear side.
The broken lines shown in the views are included for the purpose of illustrating portions of the base station that form no part of the claimed design.

- (56) **References Cited**
- U.S. PATENT DOCUMENTS**
- D311,728 S * 10/1990 Yoshitake D14/351
- D514,563 S * 2/2006 Kuramashi et al. D14/358
- D566,710 S * 4/2008 Chun et al. D14/358
- D580,423 S * 11/2008 Ju D14/240
- D586,339 S * 2/2009 Varsavsky
Waisman-Diamond D14/240

1 Claim, 7 Drawing Sheets



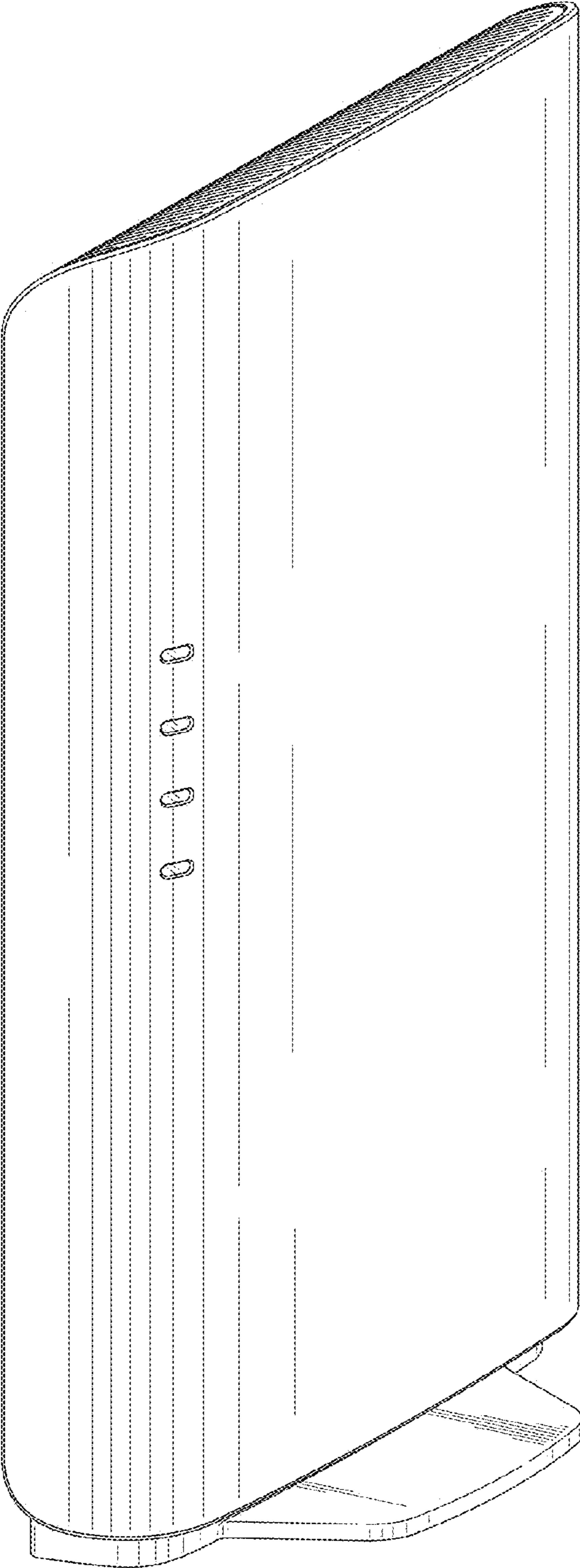


FIG. 1

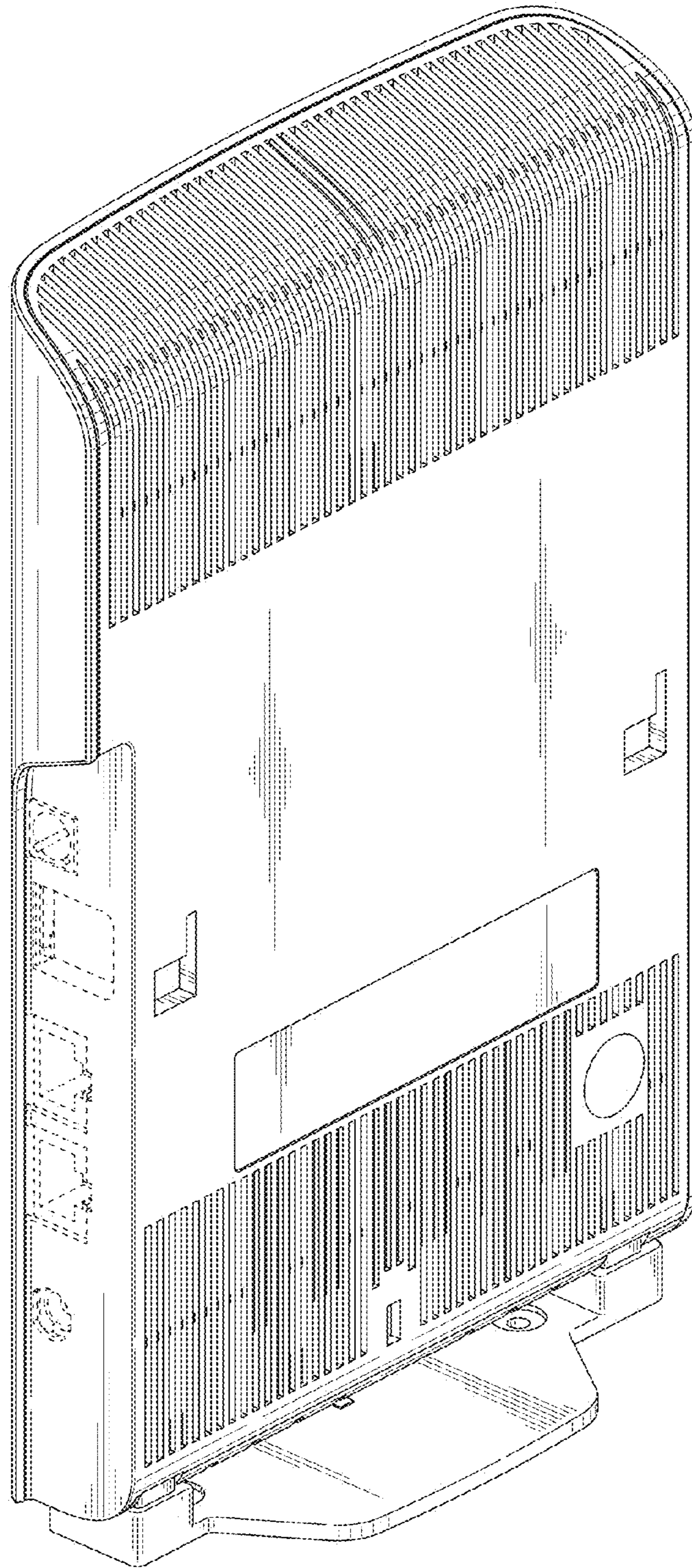


FIG. 2

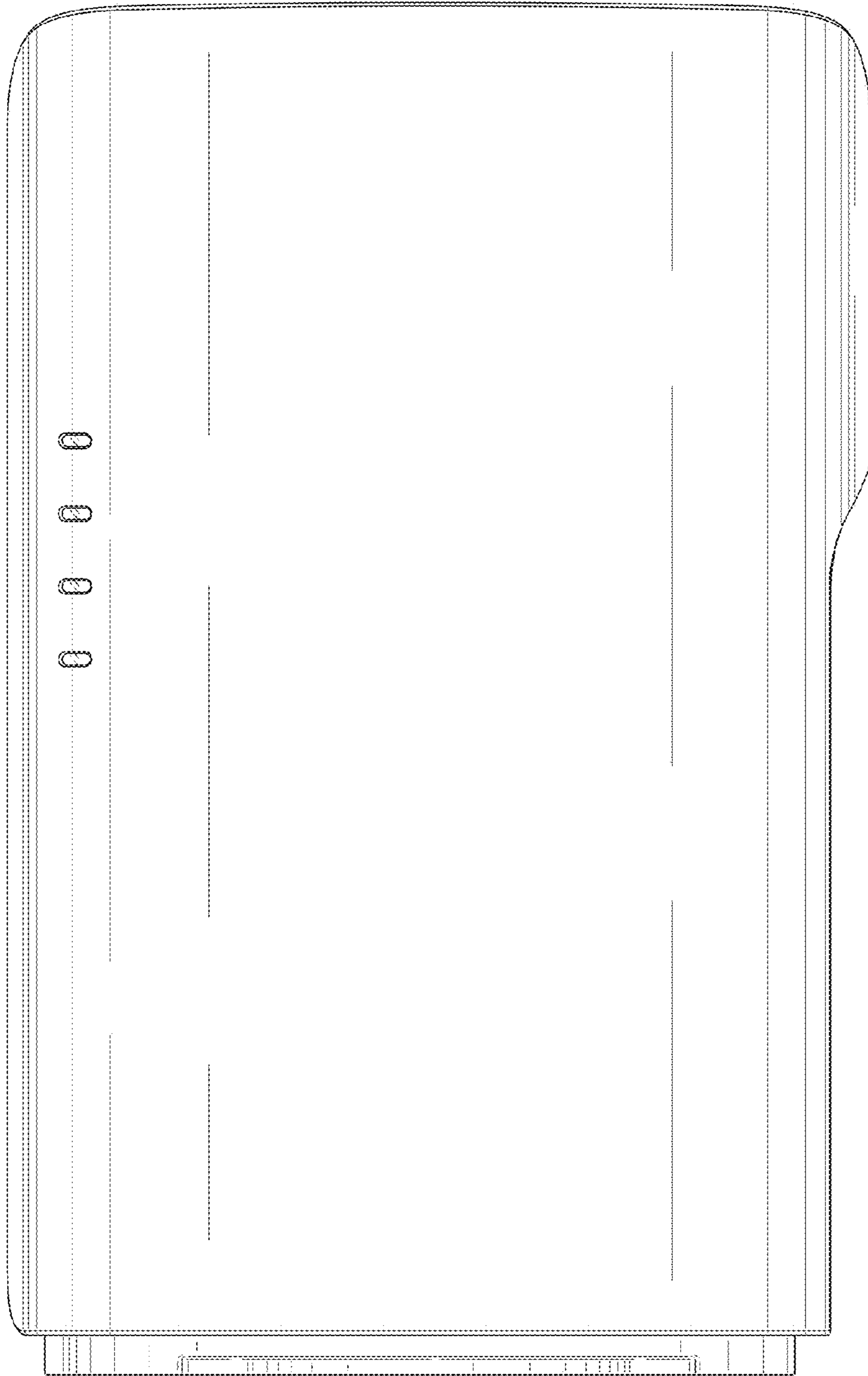


FIG. 3

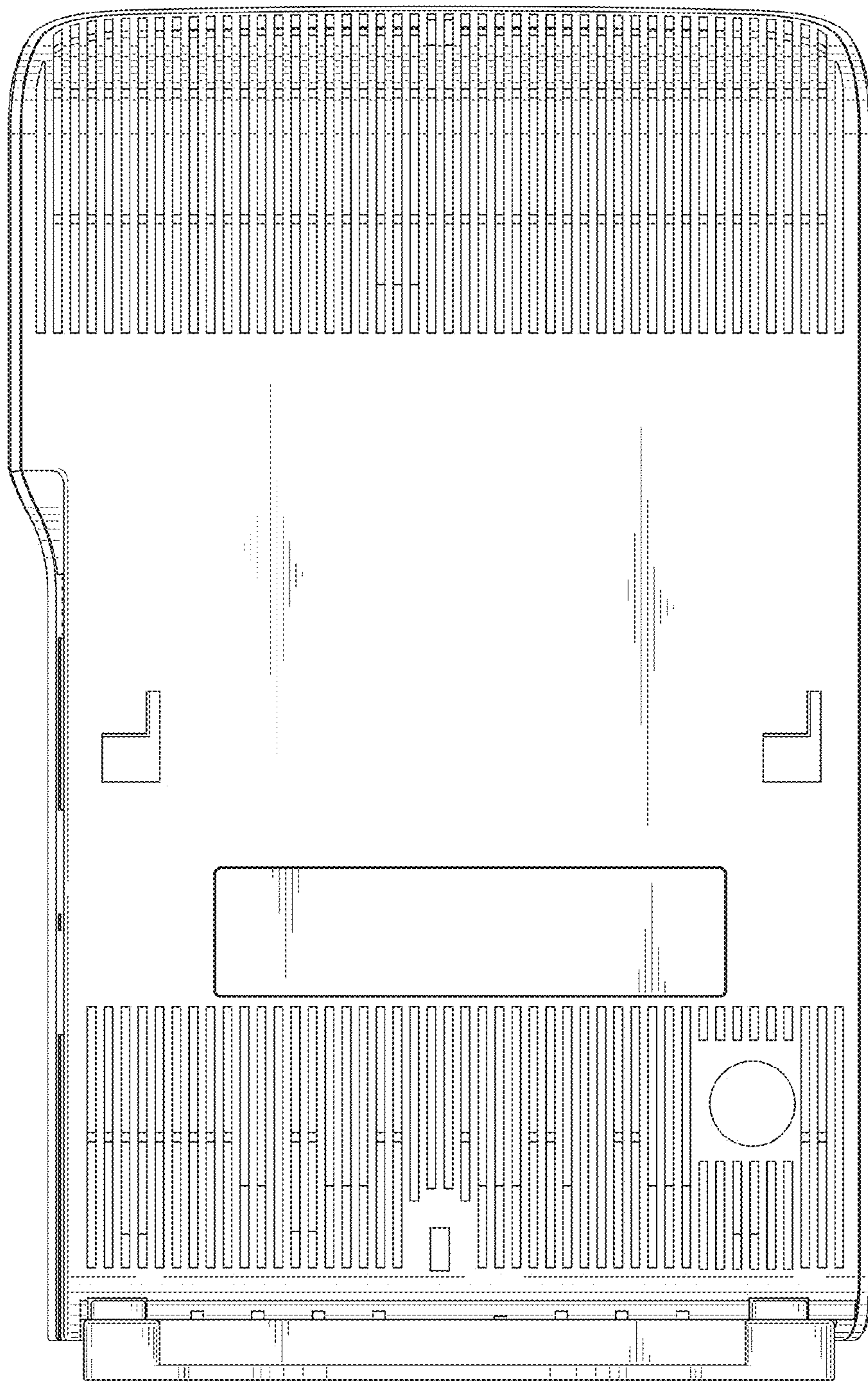


FIG. 4

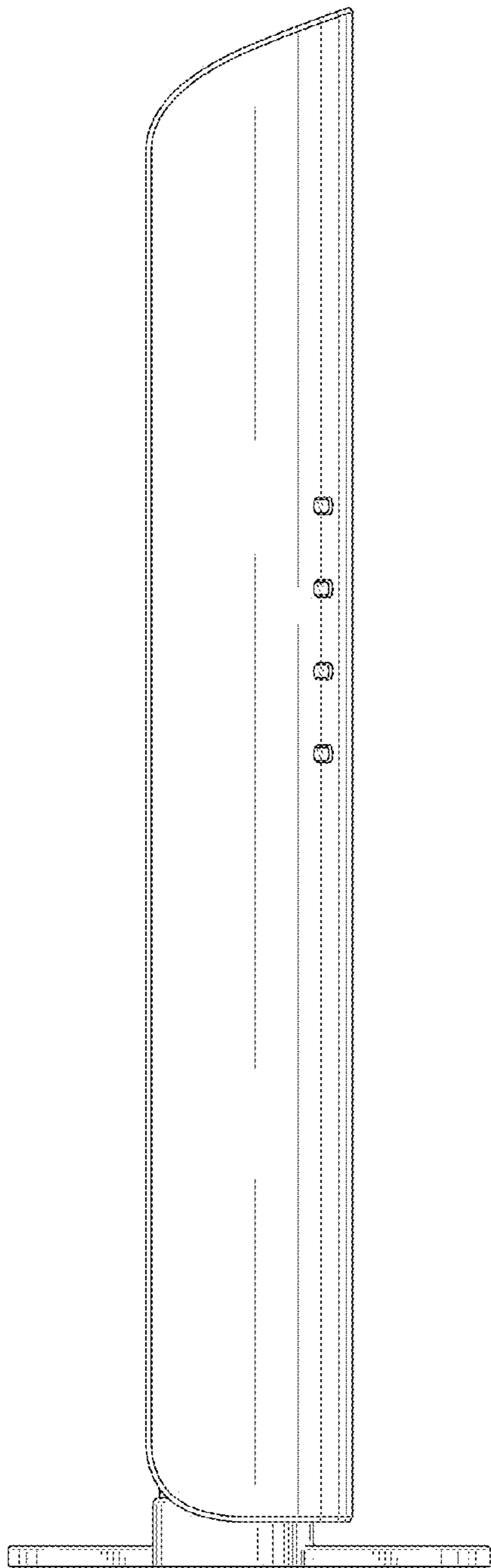


FIG. 5

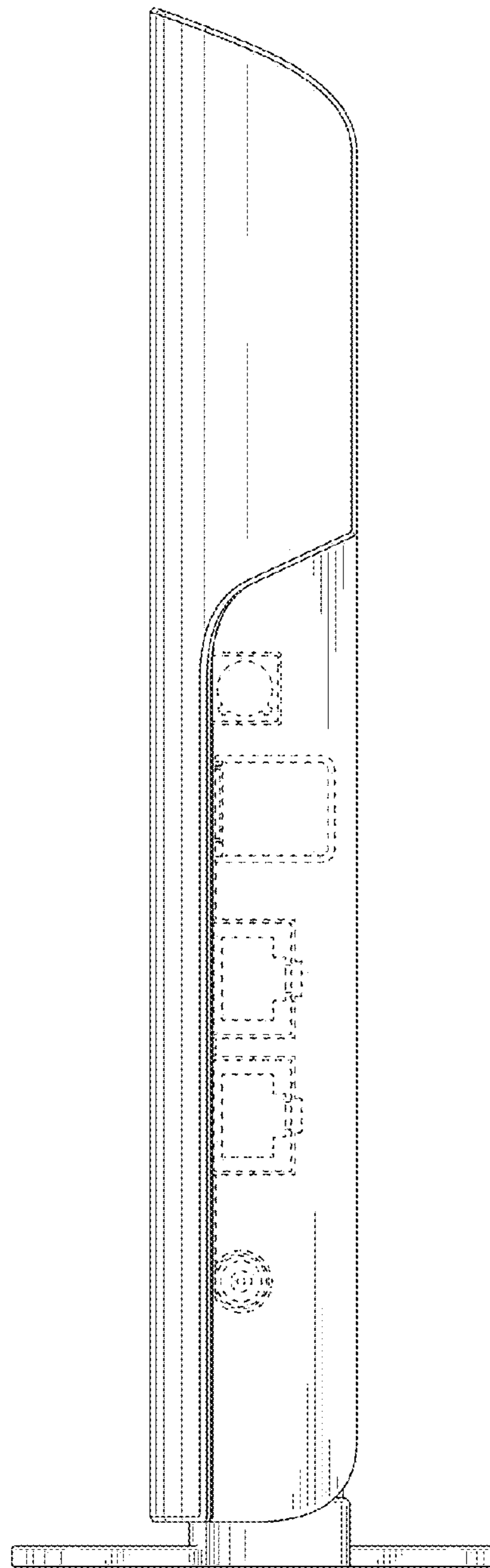


FIG. 6

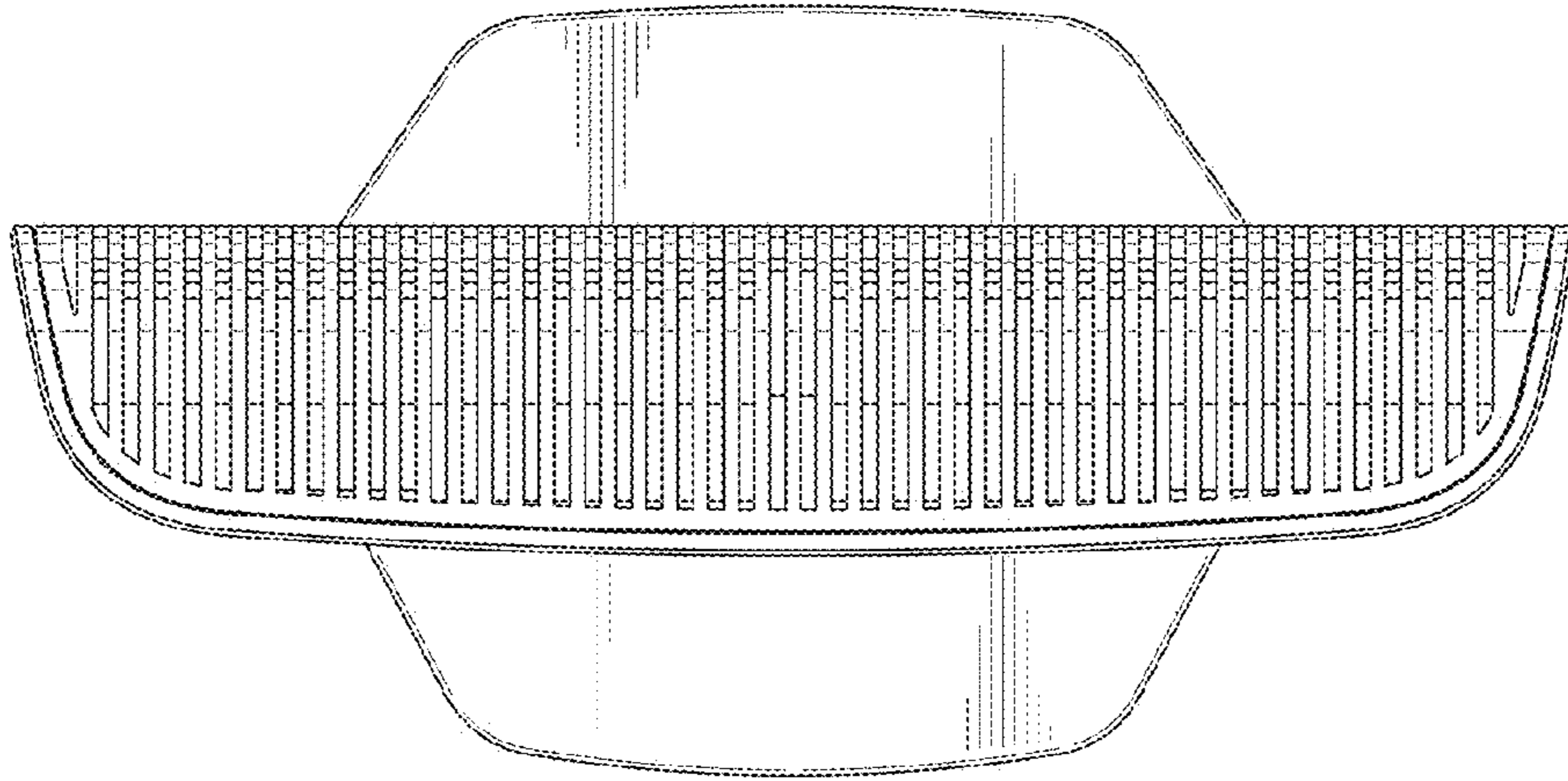


FIG. 7

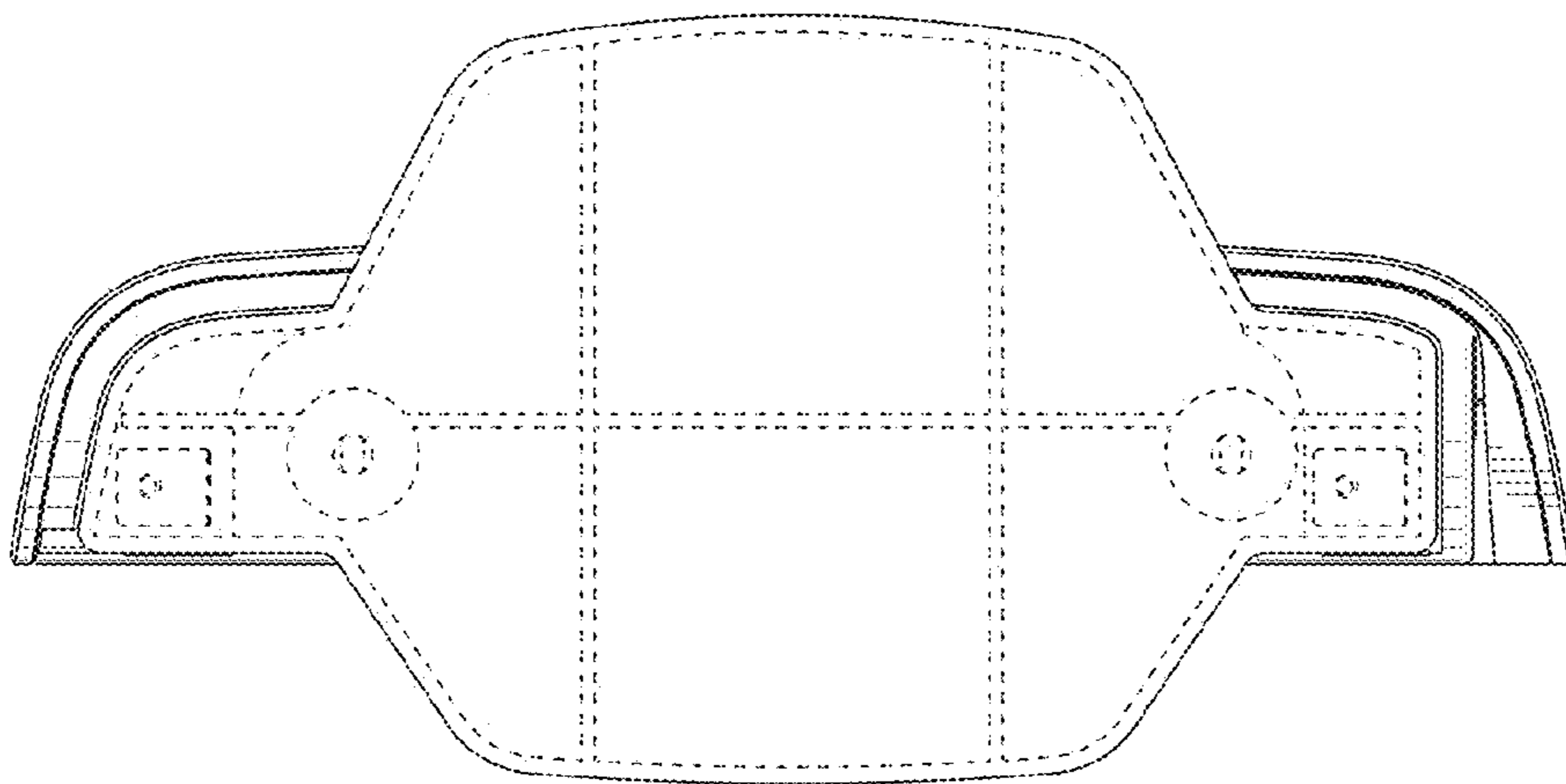


FIG. 8

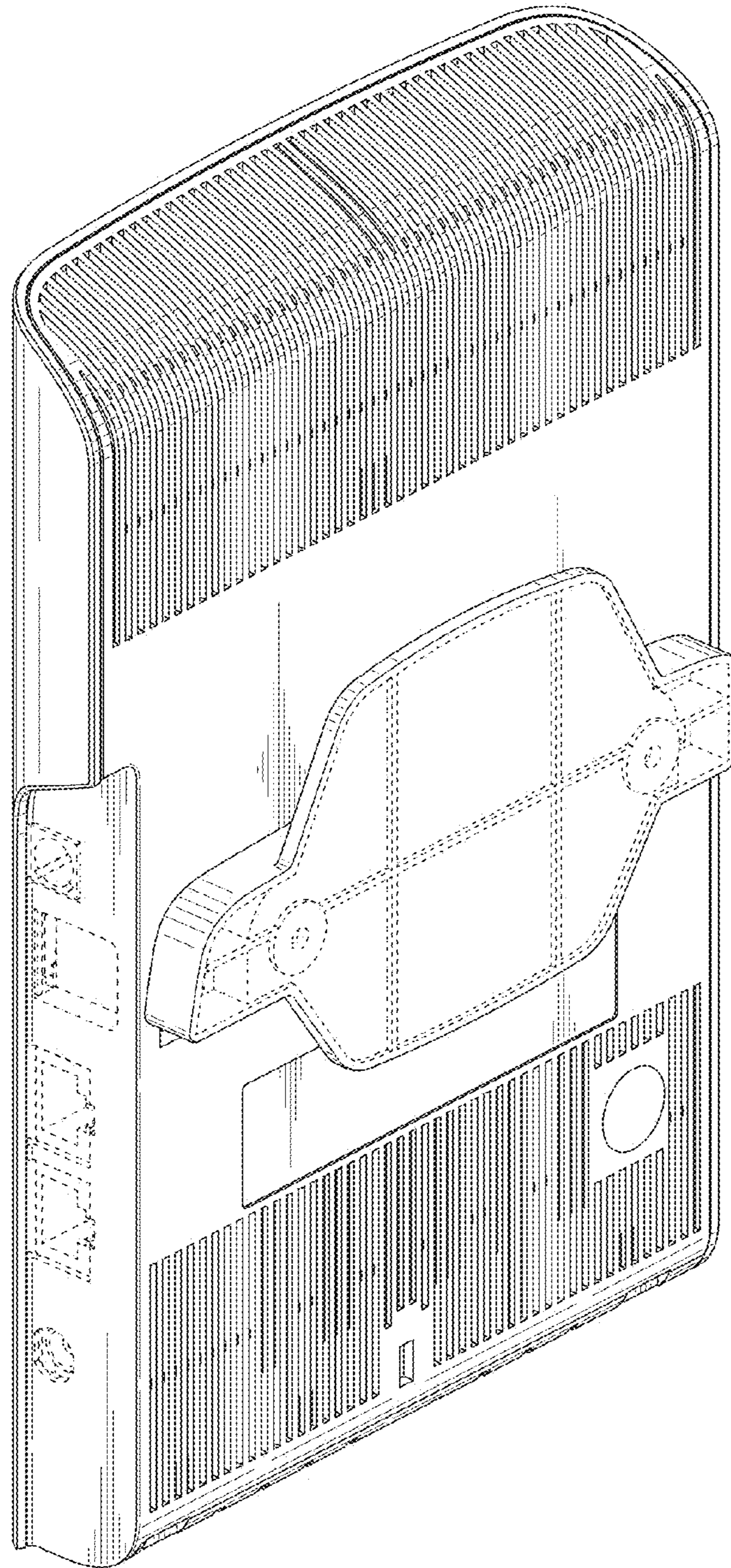


FIG. 9