



US00D749061S

(12) **United States Design Patent**  
**Lee et al.**

(10) **Patent No.:** **US D749,061 S**  
(45) **Date of Patent:** **\*\* Feb. 9, 2016**

(54) **REMOTE CONTROLLER**

- (71) Applicant: **Samsung Electronics Co., Ltd.**, Suwon-si (KR)
- (72) Inventors: **Young-Ah Lee**, Seoul (KR); **Jae-Yeop Kim**, Seoul (KR); **Kwan-Min Lee**, Seoul (KR); **Ji-Bum Moon**, Seoul (KR); **Jean-Christophe Naour**, Anyang (KR)
- (73) Assignee: **Samsung Electronics Co., Ltd.**, Suwon-si (KR)

- (\*\*) Term: **14 Years**
- (21) Appl. No.: **29/485,949**
- (22) Filed: **Mar. 25, 2014**

(30) **Foreign Application Priority Data**

- Oct. 2, 2013 (KR) ..... 30-2013-0050137
- (51) **LOC (10) Cl.** ..... **14-03**
- (52) **U.S. Cl.**  
USPC ..... **D14/218**
- (58) **Field of Classification Search**  
USPC ..... D14/417, 192, 218, 300, 240, 225;  
200/308; D13/168, 164, 162; D11/25,  
D11/89, 79, 90; D30/199, 118; D10/104.1,  
D10/106.1, 21, 6; 52/82; D21/712;  
D24/200; 473/595

See application file for complete search history.

(56) **References Cited**

**U.S. PATENT DOCUMENTS**

- 2,982,054 A \* 5/1961 Anderson ..... 52/82
- 3,577,691 A \* 5/1971 Persson et al. .... 52/72
- D285,542 S \* 9/1986 Tanaka et al. .... D10/106.1

(Continued)

**FOREIGN PATENT DOCUMENTS**

- CN 302535472 \* 8/2013
- JP D1444906 \* 6/2012

**OTHER PUBLICATIONS**

Loop shank Alloy pyramid button, Announced Oct. 9, 2011, [Site Visited Nov. 21, 2014] [http://www.hkweihua.com/alloy\\_buttons/alloy\\_shank\\_button/loop\\_shank\\_alloy\\_pyramid\\_button\\_24.aspx](http://www.hkweihua.com/alloy_buttons/alloy_shank_button/loop_shank_alloy_pyramid_button_24.aspx).\*

(Continued)

*Primary Examiner* — John Windmuller  
*Assistant Examiner* — Luqman McNeil  
(74) *Attorney, Agent, or Firm* — NSIP Law

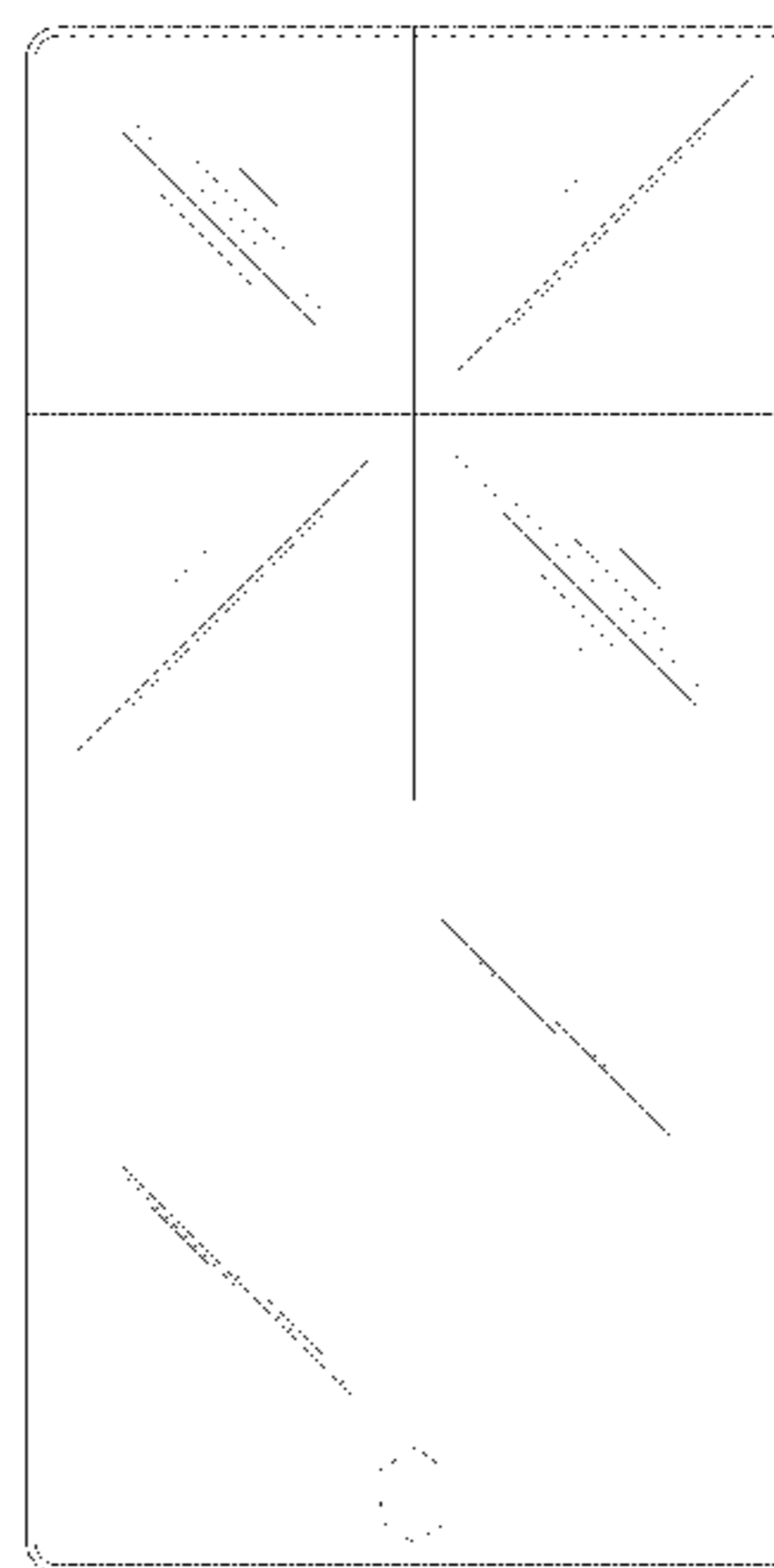
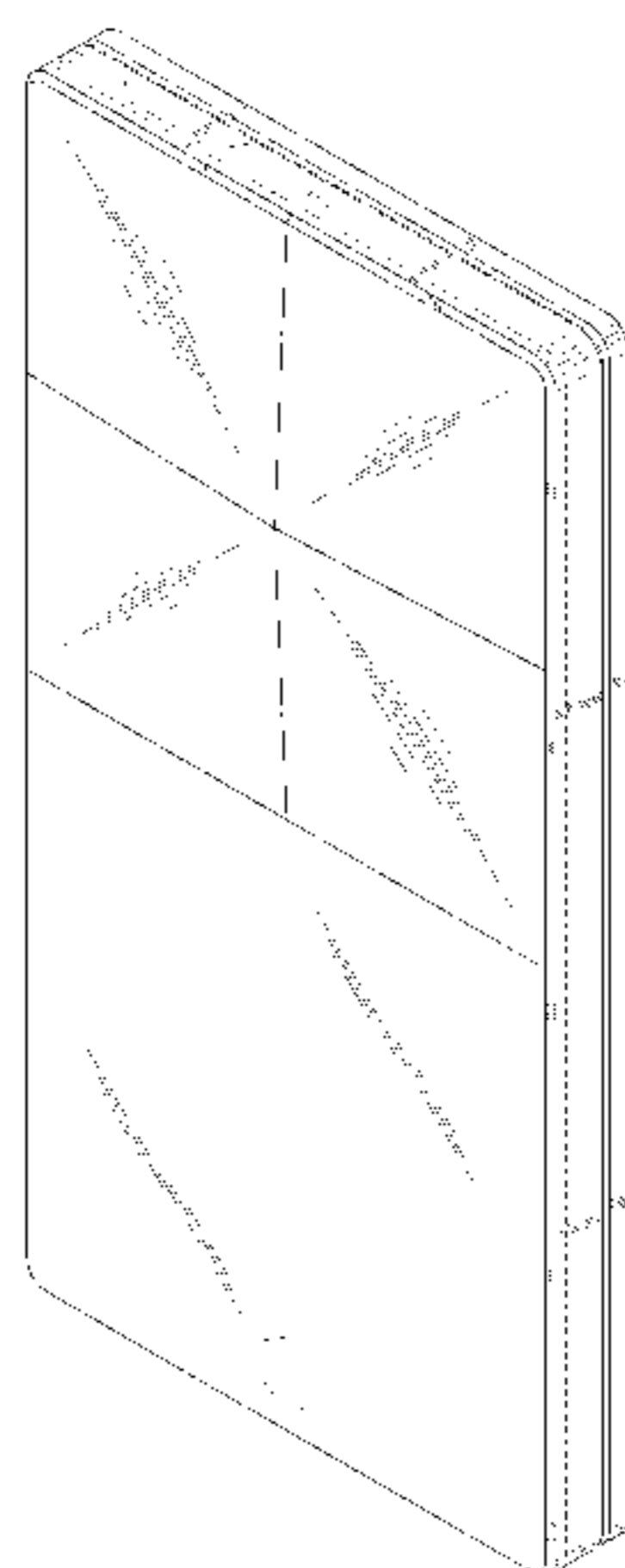
(57) **CLAIM**

We claim the ornamental design for a remote controller, as shown and described.

**DESCRIPTION**

FIG. 1 is a front perspective view of a remote controller showing our new design;  
 FIG. 2 is a front view thereof;  
 FIG. 3 is a rear view thereof;  
 FIG. 4 is a left-side view thereof;  
 FIG. 5 is a right-side view thereof;  
 FIG. 6 is a top view thereof;  
 FIG. 7 is a bottom view thereof;  
 FIG. 8 is a rear perspective view thereof;  
 FIG. 9 is a front view of the remote controller, in which the back panel of the remote controller is provided in an alternate position;  
 FIG. 10 is another front view of the remote controller, in which the back panel of the remote controller is provided in a second alternate position;  
 FIG. 11 is another front view of the remote controller, in which the back panel of the remote controller is provided in a third alternate position; and,  
 FIG. 12 is another front view of the remote controller, in which the back panel of the remote controller is provided in a fourth alternate position.  
 The broken lines illustrating portions of the remote controller are for environmental purposes only and form no part of the claimed design.

**1 Claim, 7 Drawing Sheets**



(56)

References Cited

U.S. PATENT DOCUMENTS

D287,717 S \* 1/1987 Farwell et al. .... D13/164  
 D315,552 S \* 3/1991 Sacherman ..... D14/417  
 D321,880 S \* 11/1991 Emmerling ..... D14/192  
 D325,582 S \* 4/1992 Emmons et al. .... D14/218  
 D331,060 S \* 11/1992 Emmons et al. .... D14/218  
 D349,117 S \* 7/1994 Rasansky et al. .... D14/218  
 D353,427 S \* 12/1994 Wuesthoff ..... D21/712  
 D366,042 S \* 1/1996 Laituri ..... D14/218  
 D369,414 S \* 4/1996 Lee ..... D24/200  
 D406,568 S \* 3/1999 Harmuth et al. .... D13/168  
 D429,701 S \* 8/2000 Maruta et al. .... D13/162  
 D450,313 S \* 11/2001 Koinuma ..... D14/218  
 D484,422 S \* 12/2003 Hnidak ..... D10/21  
 D506,193 S \* 6/2005 Shoushtari ..... D14/300  
 D528,992 S \* 9/2006 Hobart et al. .... D13/168  
 D554,630 S \* 11/2007 Ma ..... D14/240  
 D610,471 S \* 2/2010 Parikh ..... D10/6  
 D611,431 S \* 3/2010 Snyder et al. .... D13/168  
 D624,880 S \* 10/2010 Felegy et al. .... D13/168  
 D632,283 S \* 2/2011 Cheng ..... D14/225

D641,718 S \* 7/2011 Sakai ..... D13/168  
 D646,232 S \* 10/2011 Felegy et al. .... D13/168  
 D649,124 S \* 11/2011 Jacoby et al. .... D13/168  
 D652,393 S \* 1/2012 Suzuki ..... D13/168  
 D664,123 S \* 7/2012 Nguyen et al. .... D14/218  
 D682,795 S \* 5/2013 McDonald et al. .... D13/168  
 D692,398 S \* 10/2013 Felegy et al. .... D13/168  
 8,579,741 B2 \* 11/2013 Heland ..... 473/595  
 D695,370 S \* 12/2013 Hedeem, Jr. .... D21/712  
 D704,152 S \* 5/2014 Altonen et al. .... D13/168  
 D705,813 S \* 5/2014 Deguchi ..... D14/498  
 D712,381 S \* 9/2014 Hwang et al. .... D14/218  
 D713,360 S \* 9/2014 Spira ..... D13/168  
 D717,503 S \* 11/2014 Diskin ..... D30/118  
 2011/0266122 A1 \* 11/2011 Zaharchuk et al. .... 200/308

OTHER PUBLICATIONS

View Poll Results: Do You Prefer A Regular Key or A "Smart" Key?,  
 Announced Nov. 3, 2012, [ Site Visited Nov. 21, 2014]http://forums.  
 vvvortex.com/showthread.php?5308900-quot-Smart-quot-Keys-  
 vs.-Regular-Keys/page3.\*

\* cited by examiner

FIG.1

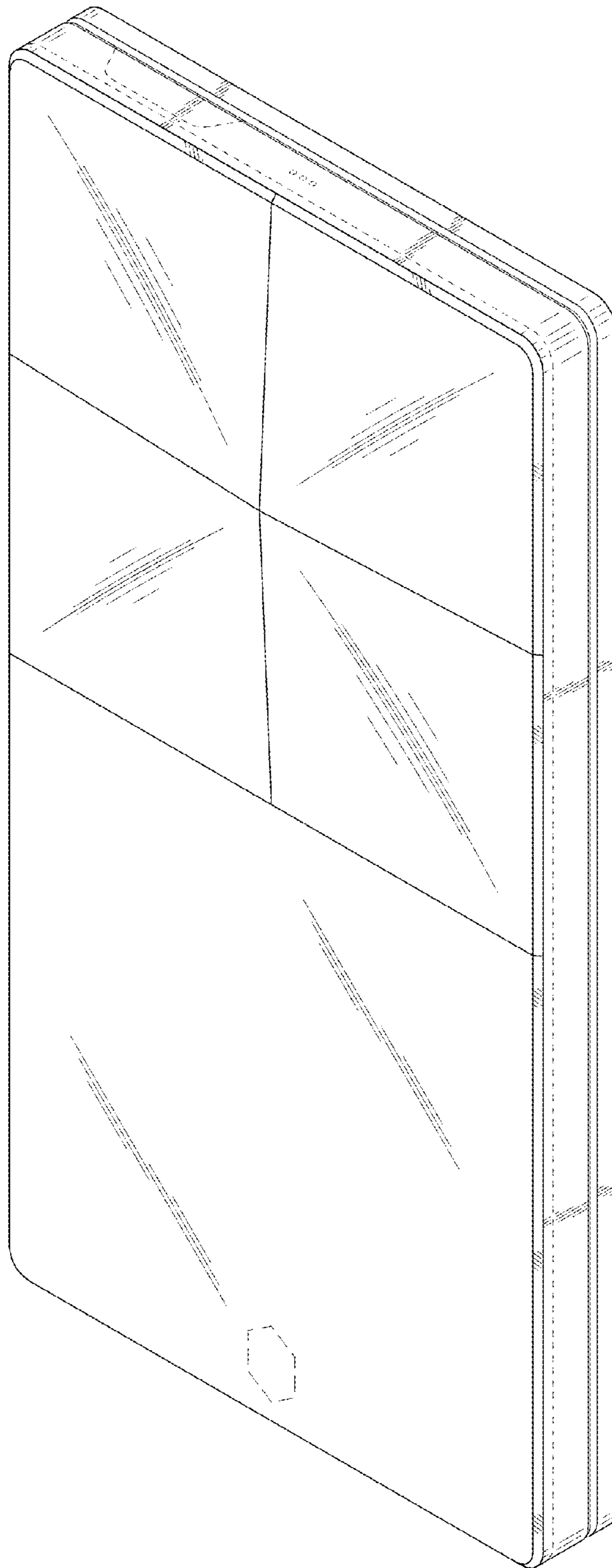


FIG.2

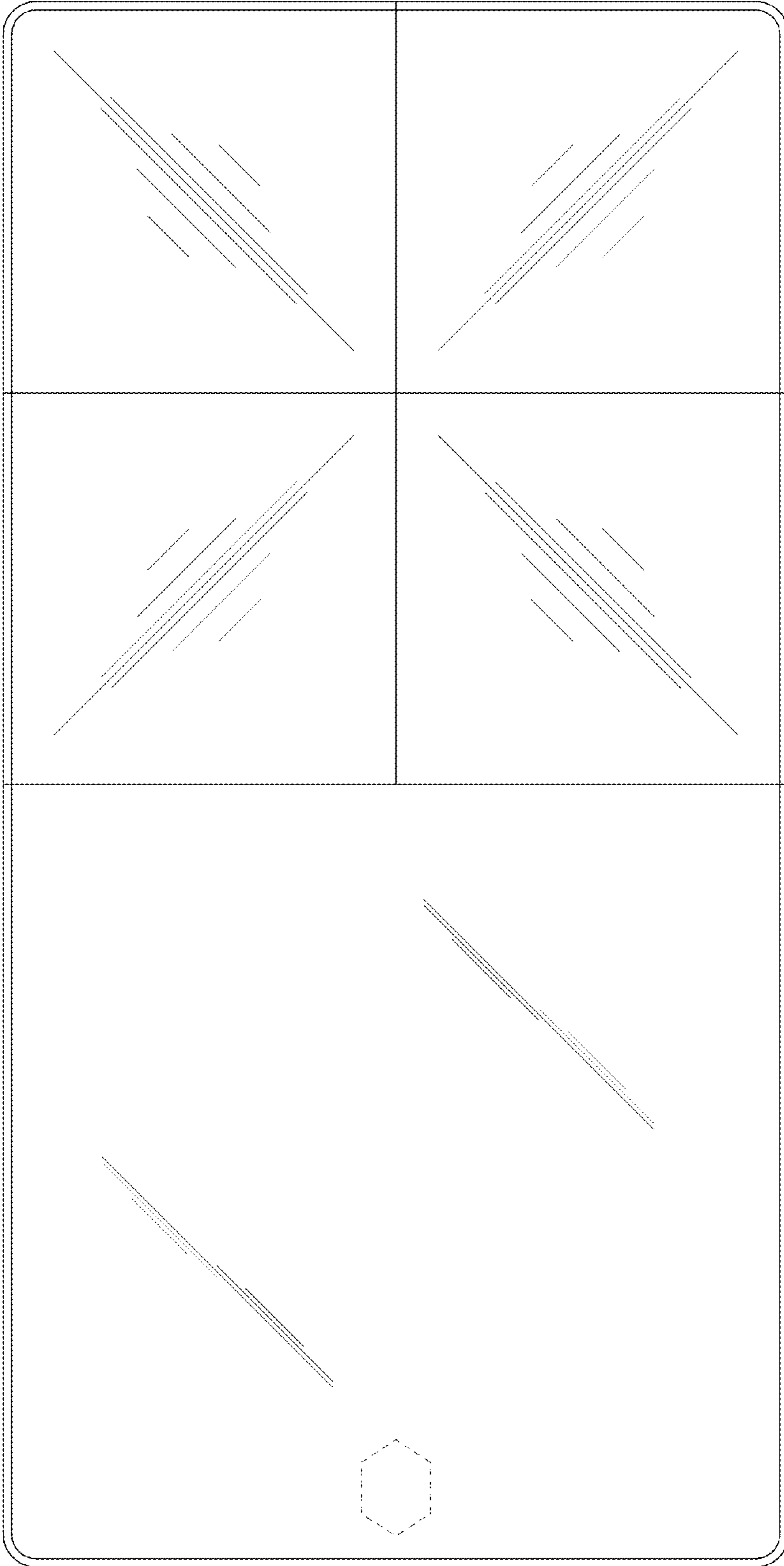


FIG.3

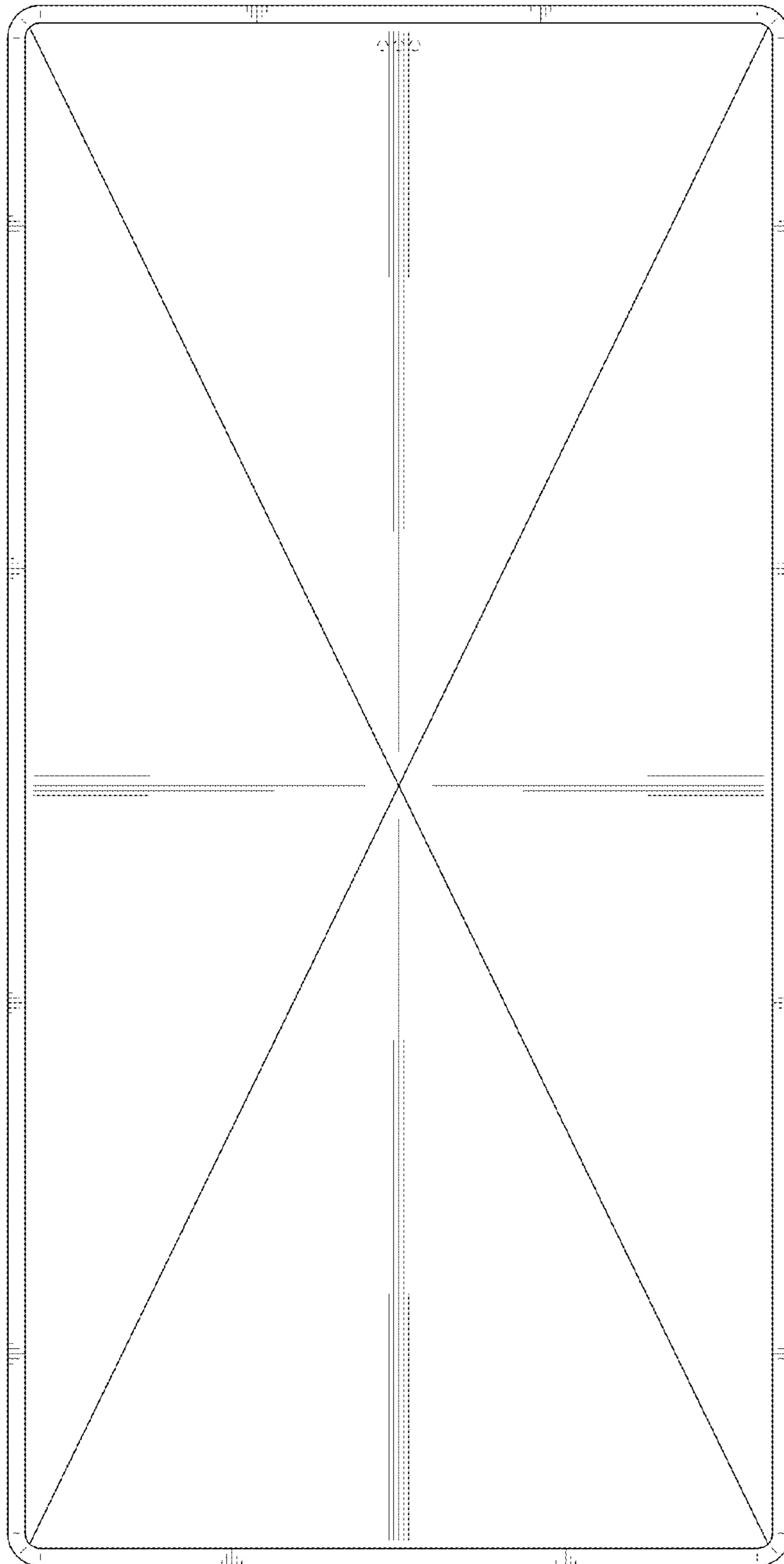


FIG.4

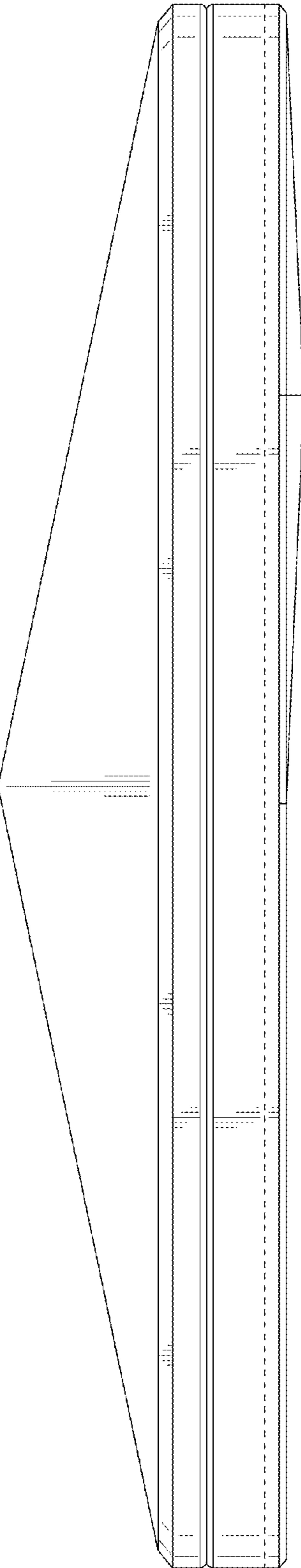


FIG.5

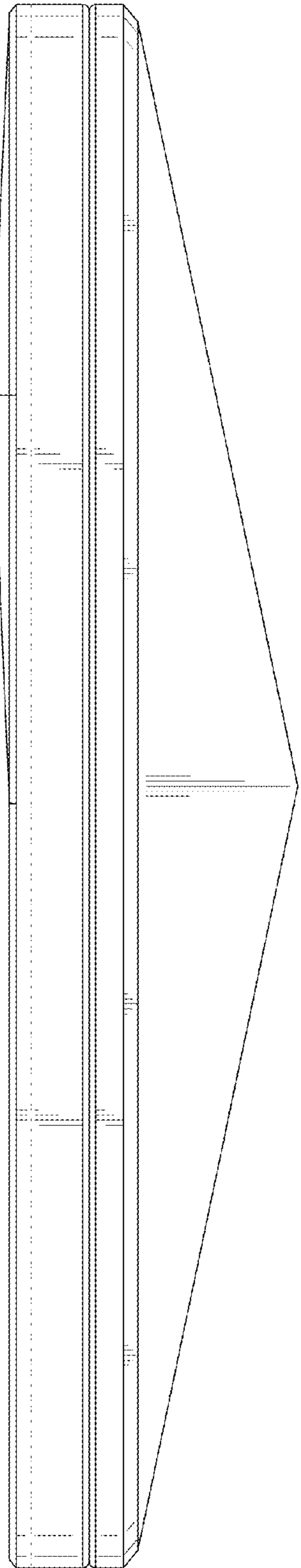


FIG.6

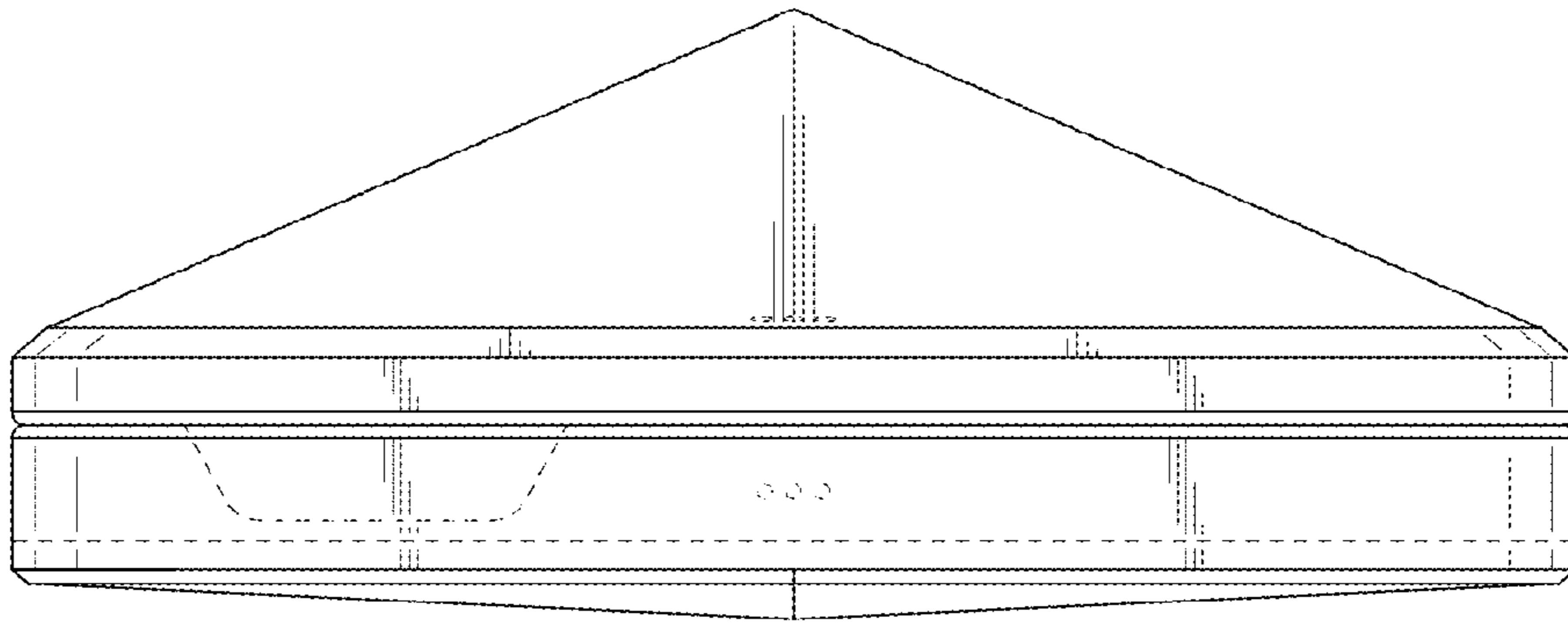


FIG.7

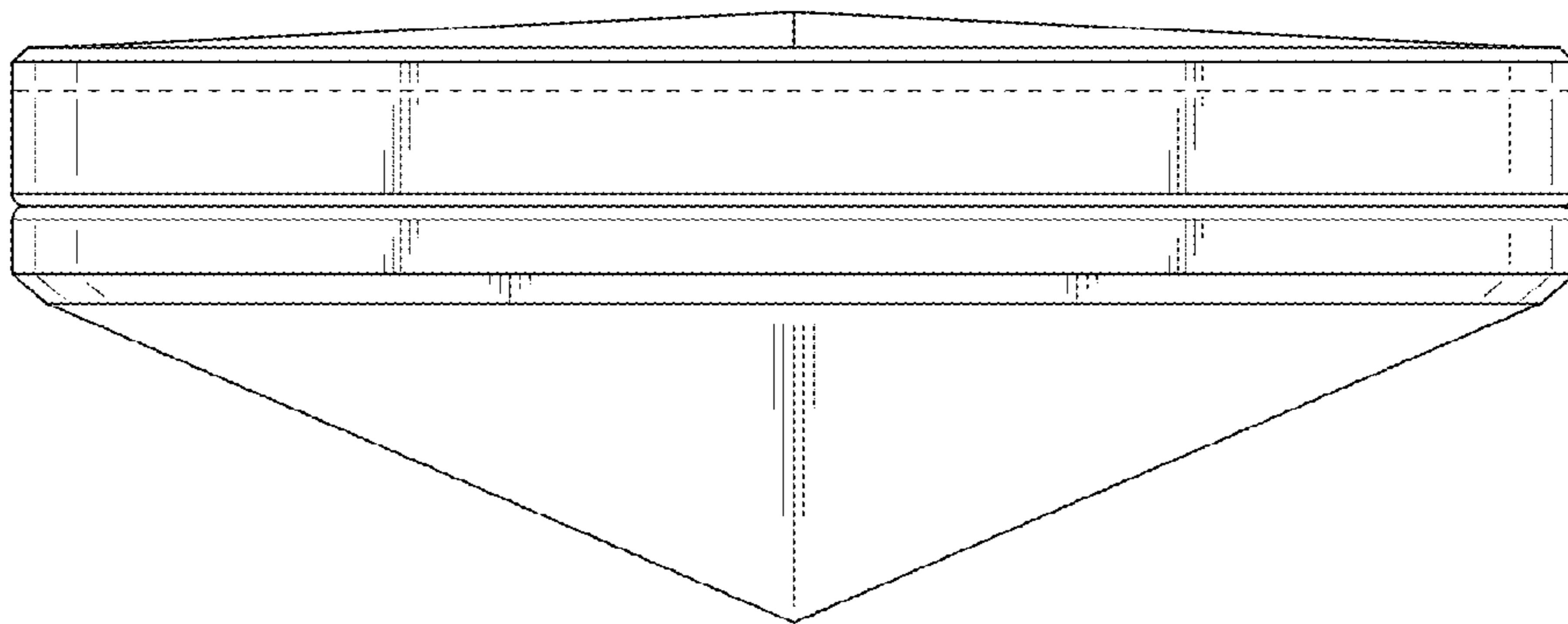


FIG.8

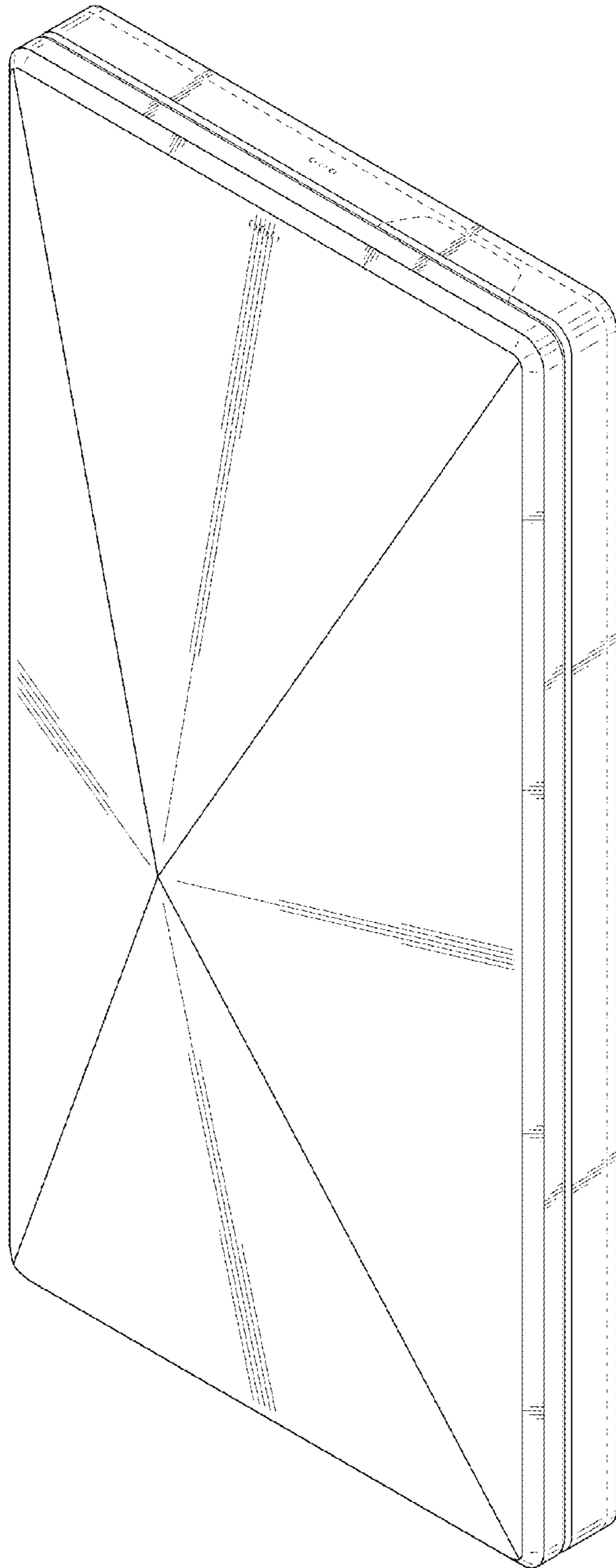




FIG.9

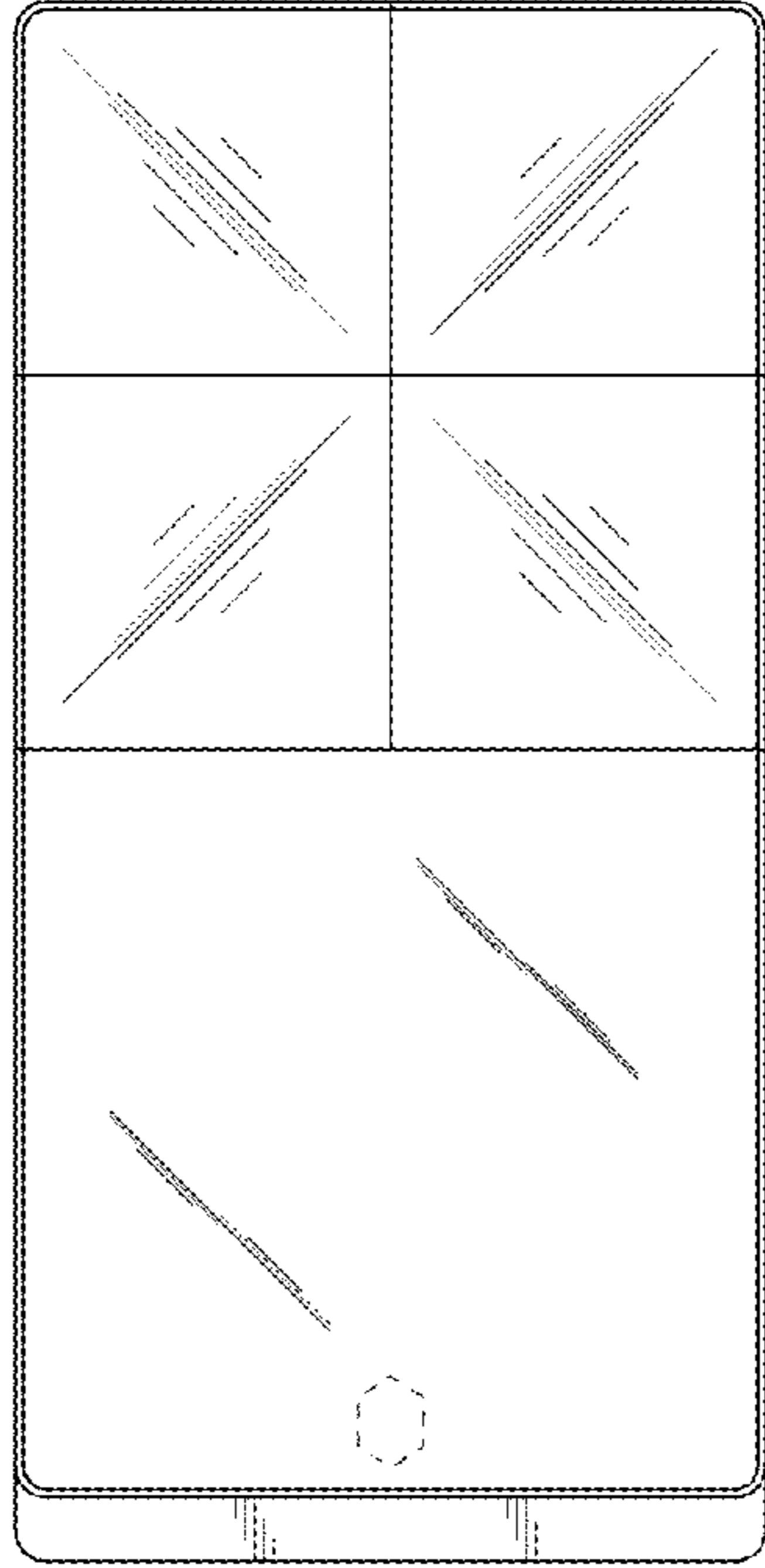


FIG.10

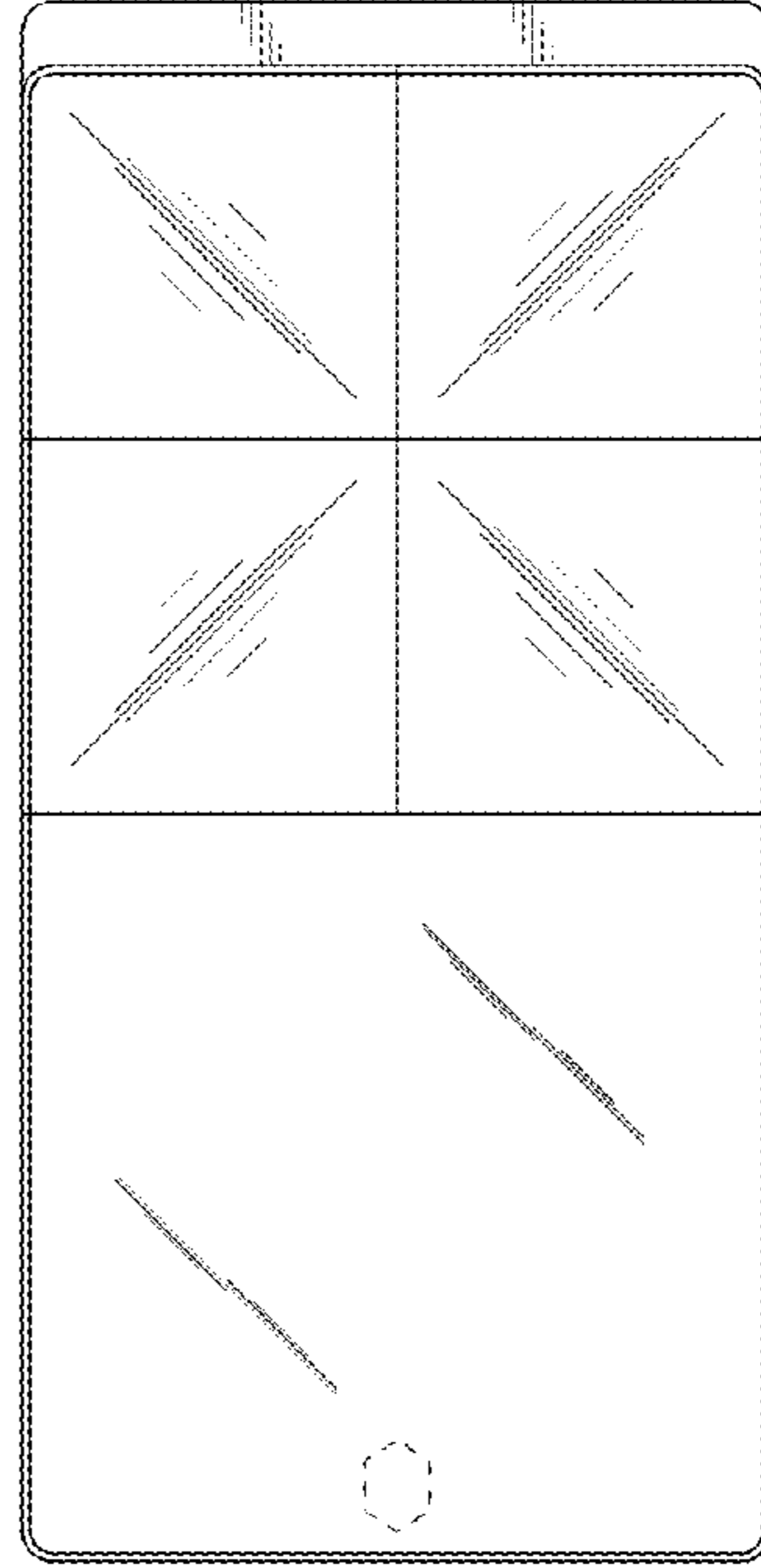


FIG.11

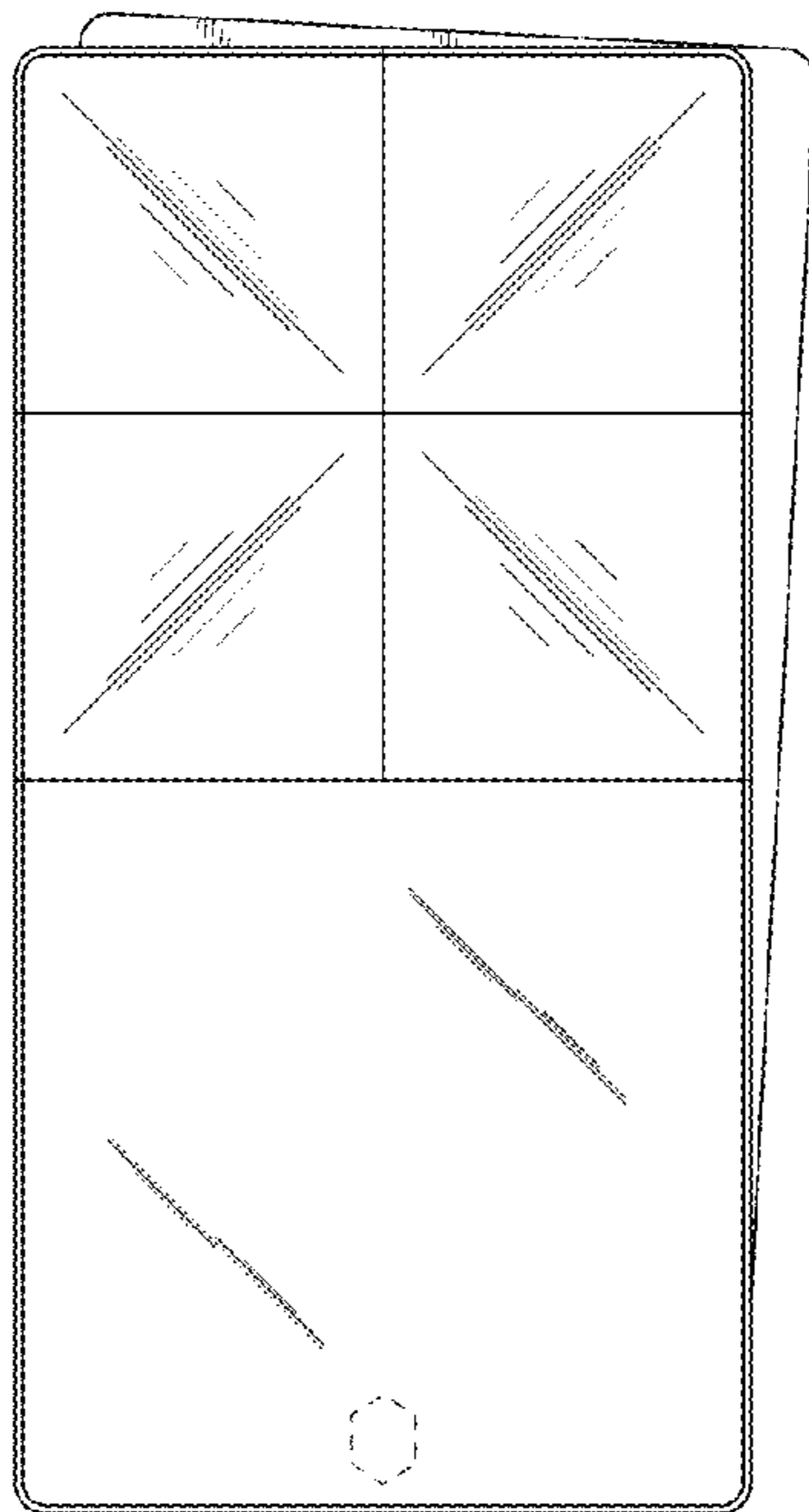


FIG.12

