



US00D749060S

(12) **United States Design Patent**
Hinokio

(10) **Patent No.:** **US D749,060 S**

(45) **Date of Patent:** **** Feb. 9, 2016**

(54) **SPEAKER**

(71) Applicant: **YAMAHA CORPORATION**,
Hamamatsu-shi, Shizuoka (JP)

(72) Inventor: **Akie Hinokio**, Hamamatsu (JP)

(73) Assignee: **YAMAHA CORPORATION**, Shizuoka
(JP)

(**) Term: **14 Years**

(21) Appl. No.: **29/510,908**

(22) Filed: **Dec. 4, 2014**

(30) **Foreign Application Priority Data**

Aug. 28, 2014 (JP) 2014-018846

(51) **LOC (10) Cl.** **14-03**

(52) **U.S. Cl.**
USPC **D14/216**

(58) **Field of Classification Search**
USPC D14/167, 168, 170-172, 188, 194-196,
D14/204, 207, 209.1, 210-216, 219, 221,
D14/222, 224, 496, 189; 181/143, 144, 147,
181/148, 150, 153, 157, 198, 199;
381/300-303, 306, 332, 333, 336, 345,
381/361-364, 386-388; 369/6-12; D21/51,
D21/52, 57, 93, 104, 106
CPC B60R 11/0217; G06F 1/1688; H04M 1/03;
H04M 1/035; H04R 1/02; H04R 1/06; H04R
1/021; H04R 1/025; H04R 1/026; H04R
1/028; H04R 1/105; H04R 1/323; H04R
1/403; H04R 1/2803; H04R 1/2834; H04R
5/02; H04R 7/20; H04R 9/06; H04R 9/025;
H04R 2201/021; H04R 2400/00; H04R

2400/07; H04R 2499/11; H04R 2499/13;
H04R 2499/15; H04S 3/00; H04S 7/30

See application file for complete search history.

(56) **References Cited**

U.S. PATENT DOCUMENTS

D397,234 S *	8/1998	Huang	D26/63
D500,511 S *	1/2005	Sybilrud	D16/203
D545,858 S *	7/2007	Li	D16/202
D569,843 S *	5/2008	Sogabe	D14/214
D591,267 S *	4/2009	Files	D12/114
D629,549 S *	12/2010	Feigenbaum	D26/63
D697,046 S *	1/2014	Hanna	D14/204
D718,281 S *	11/2014	Schmiedbauer	D14/216
D727,290 S *	4/2015	Kim	D14/208
D735,694 S *	8/2015	Allen	D14/211
D736,743 S *	8/2015	Kowaki	D14/215

* cited by examiner

Primary Examiner — Keli L Hill

(74) *Attorney, Agent, or Firm* — Sughrue Mion, PLLC

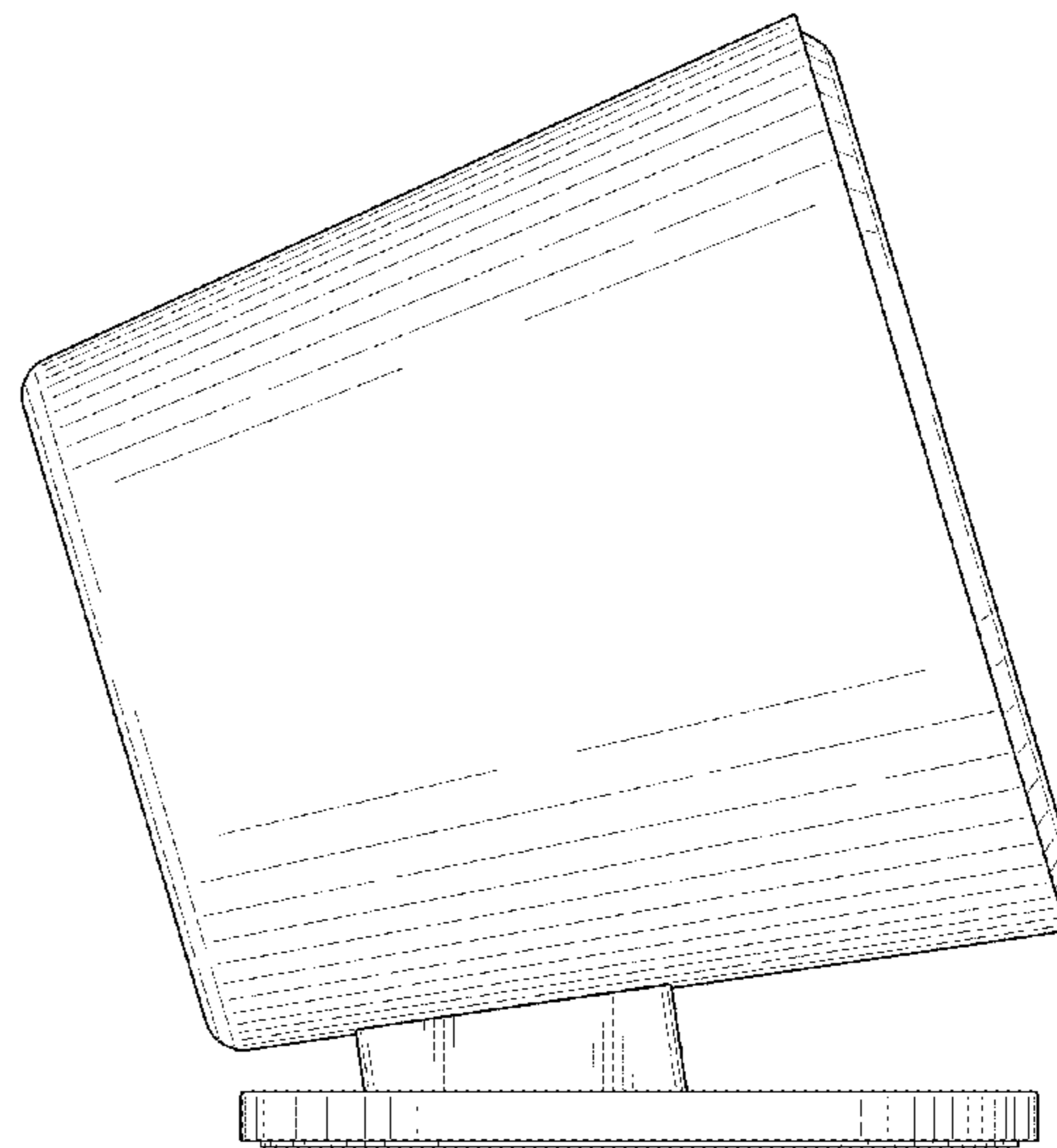
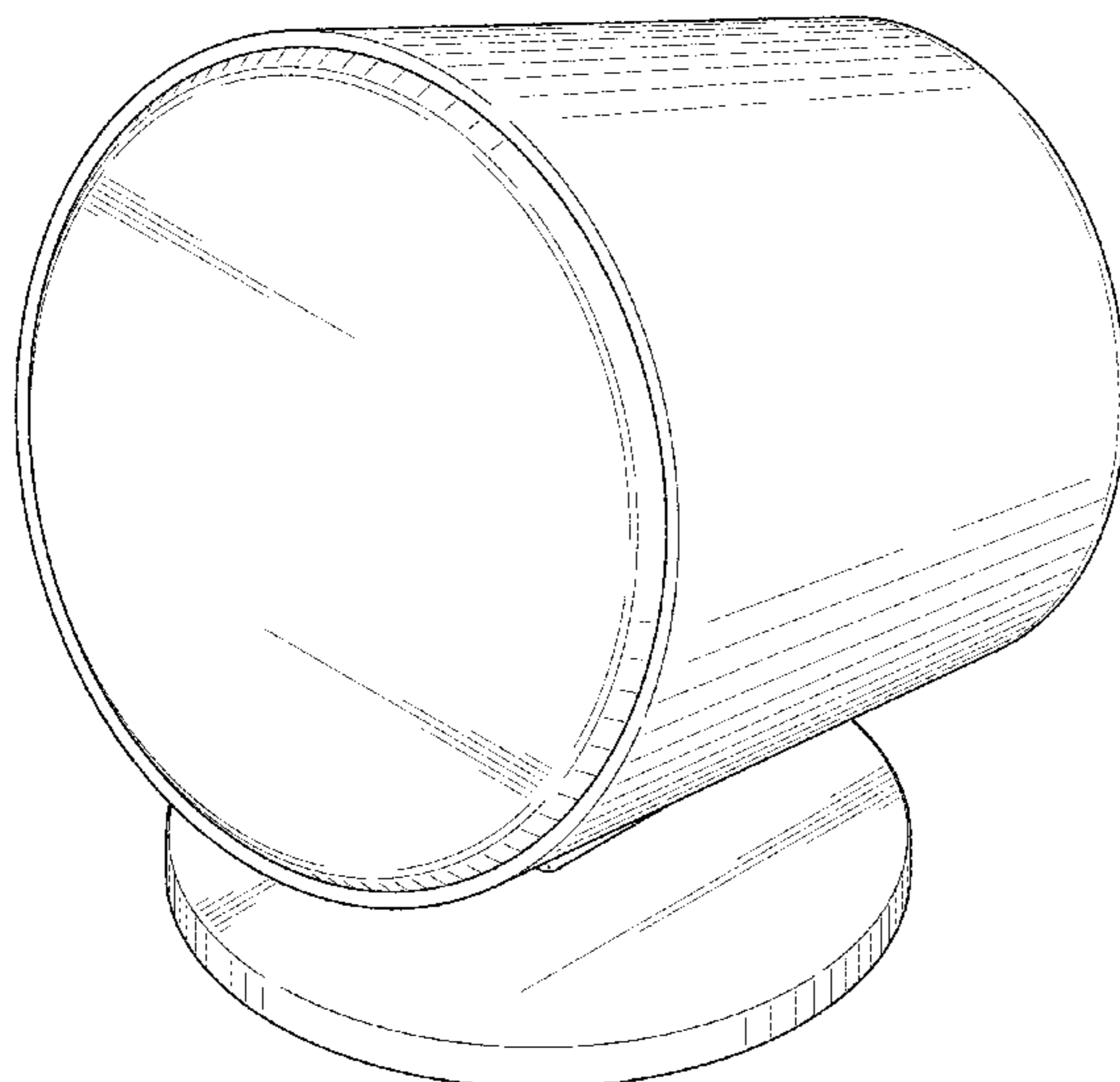
(57) **CLAIM**

The ornamental design for a speaker, as shown and described.

DESCRIPTION

FIG. 1 is a perspective view of the front, top and right side of a speaker showing my new design;
FIG. 2 is a front view thereof;
FIG. 3 is a rear view thereof;
FIG. 4 is a left side view thereof, the right side being a mirror image;
FIG. 5 is a top plan view thereof; and,
FIG. 6 is a bottom view thereof.

1 Claim, 6 Drawing Sheets



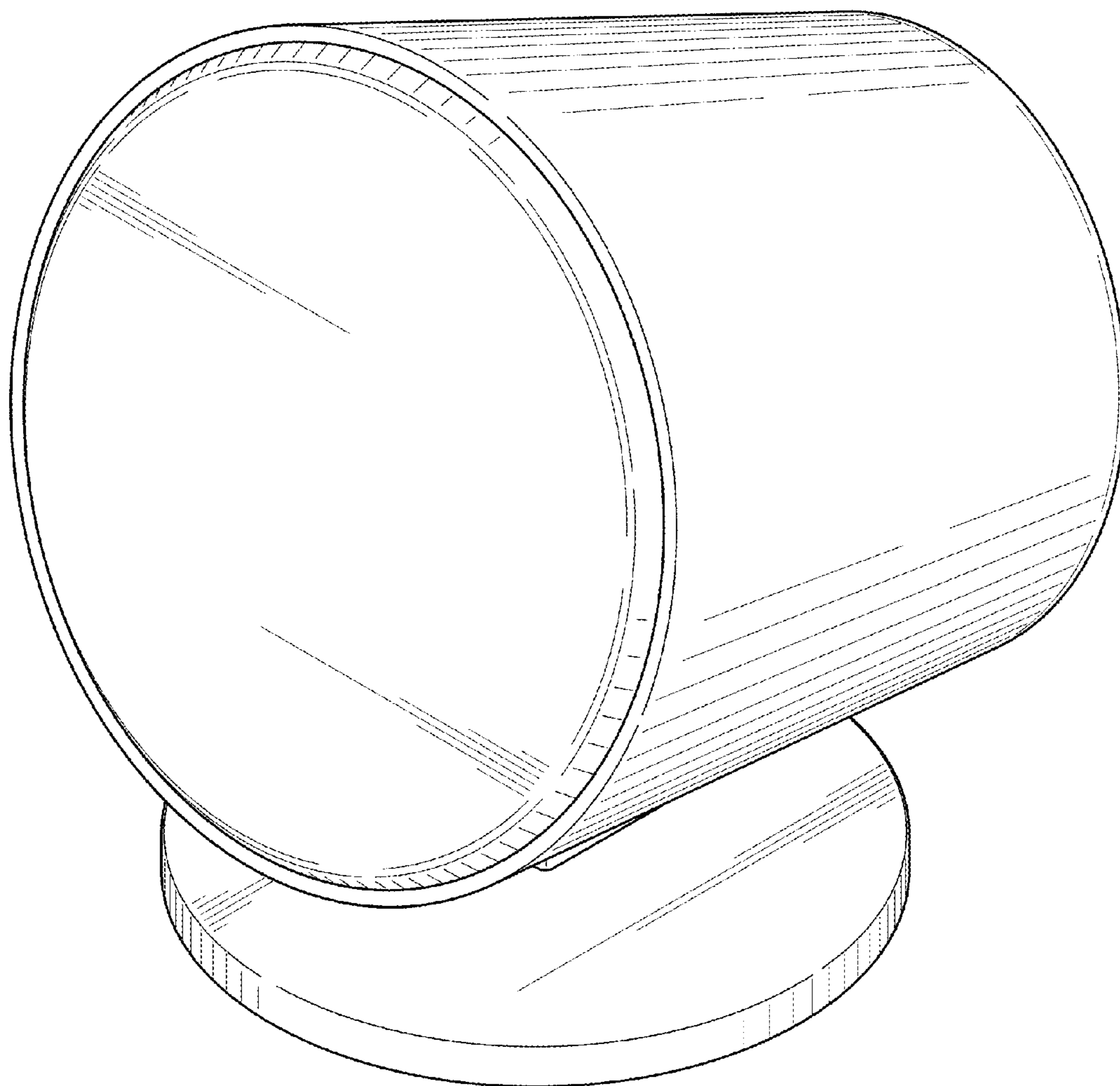


FIG. 1

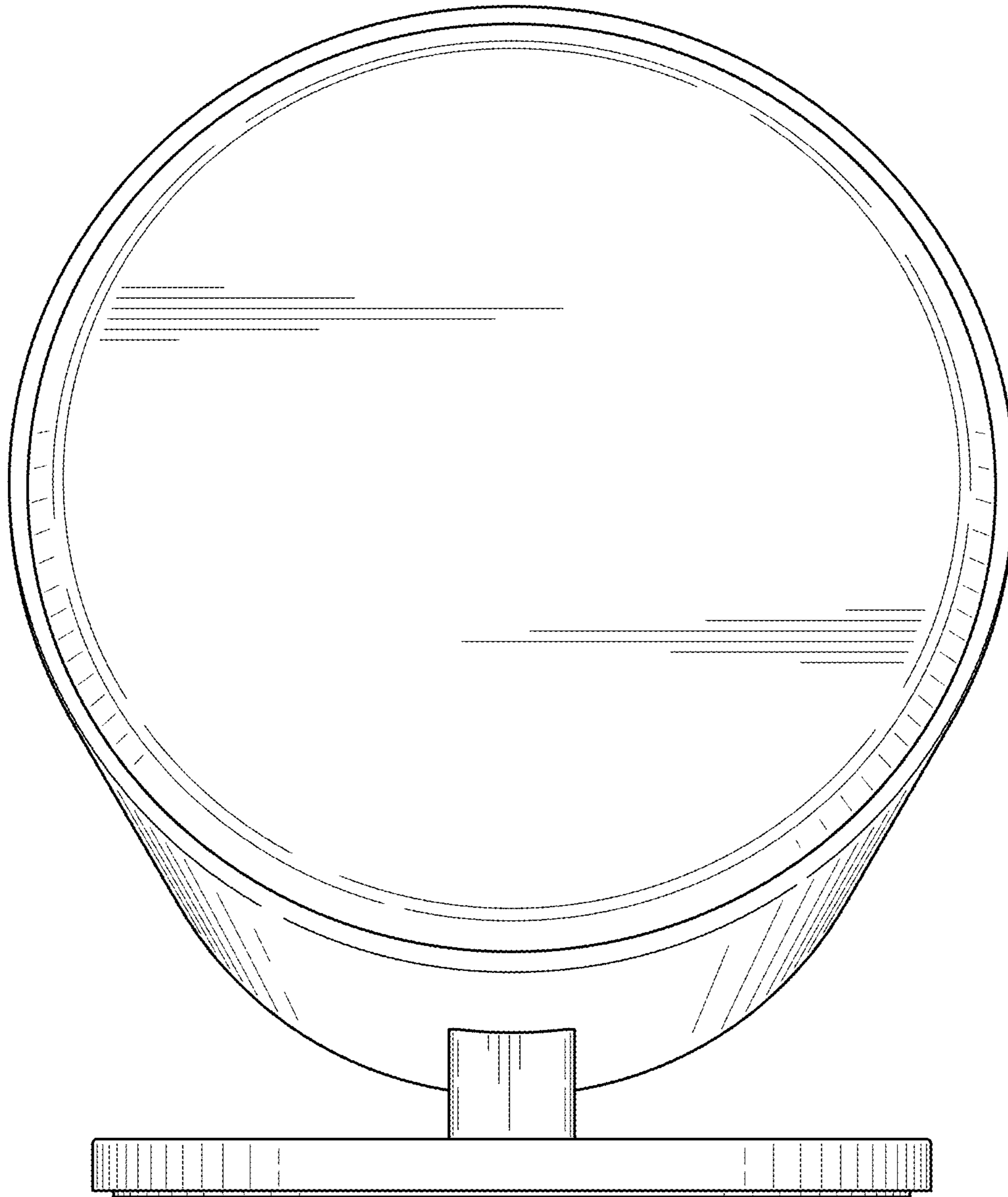


FIG. 2

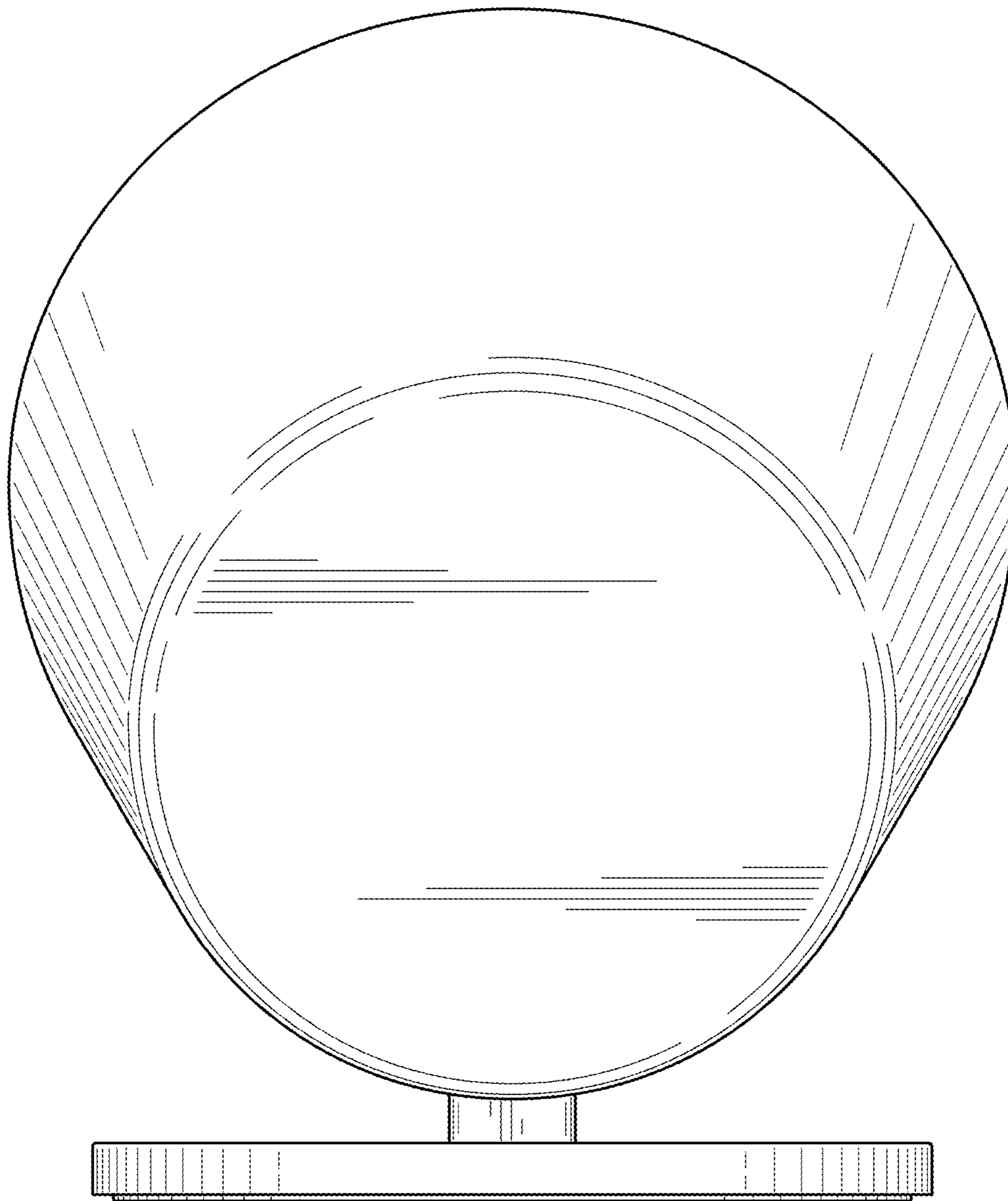


FIG. 3

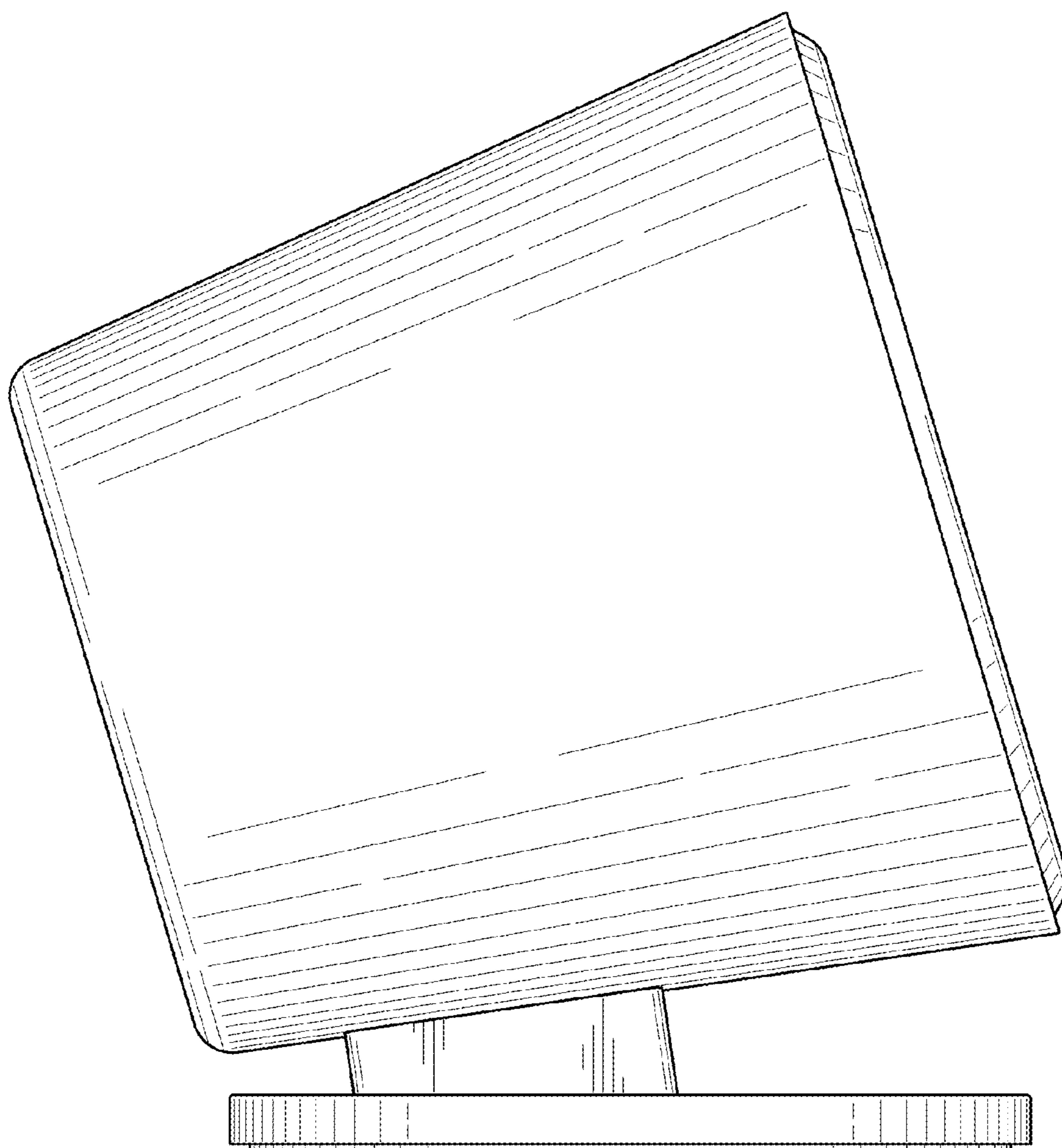


FIG. 4

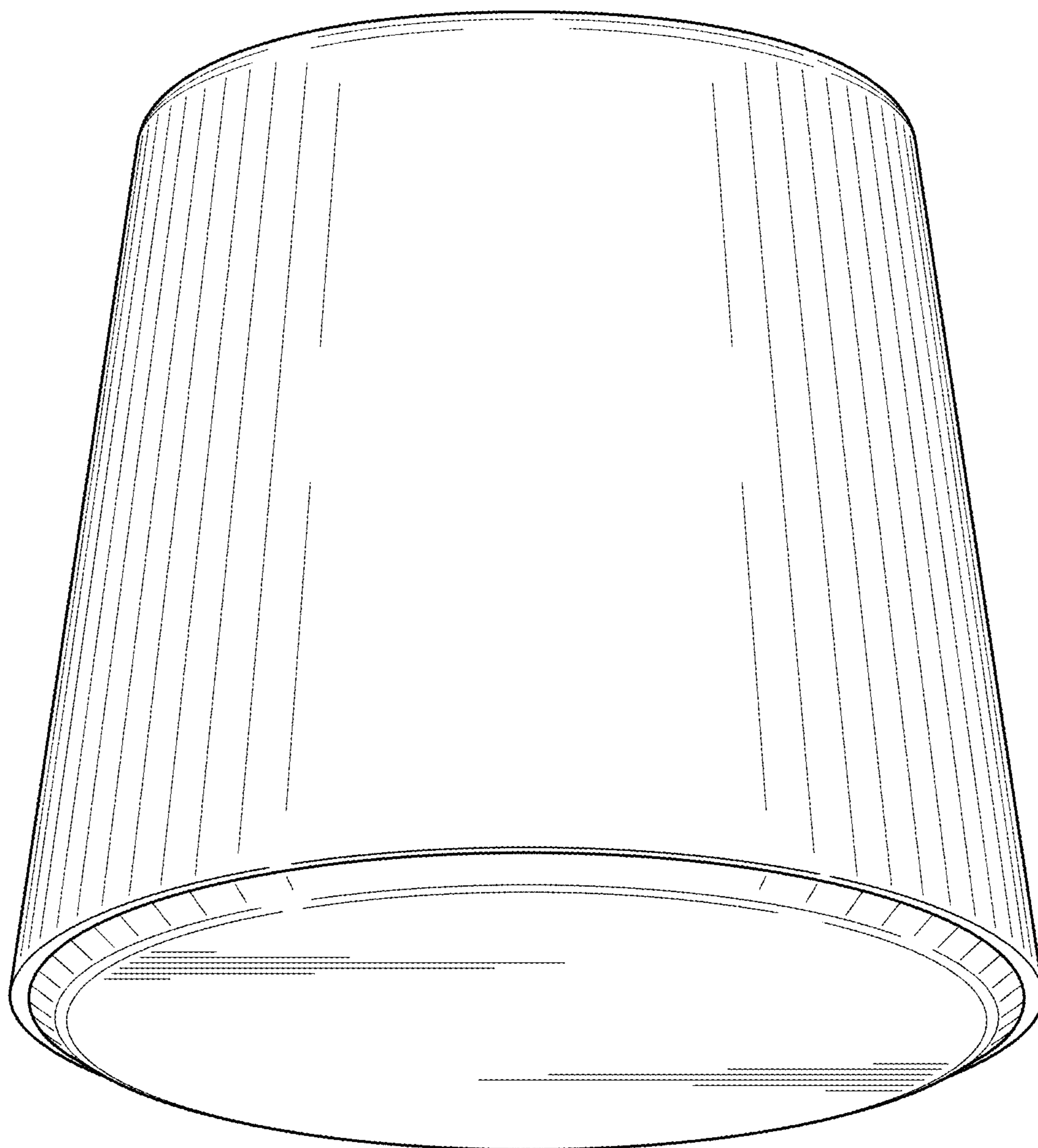


FIG. 5

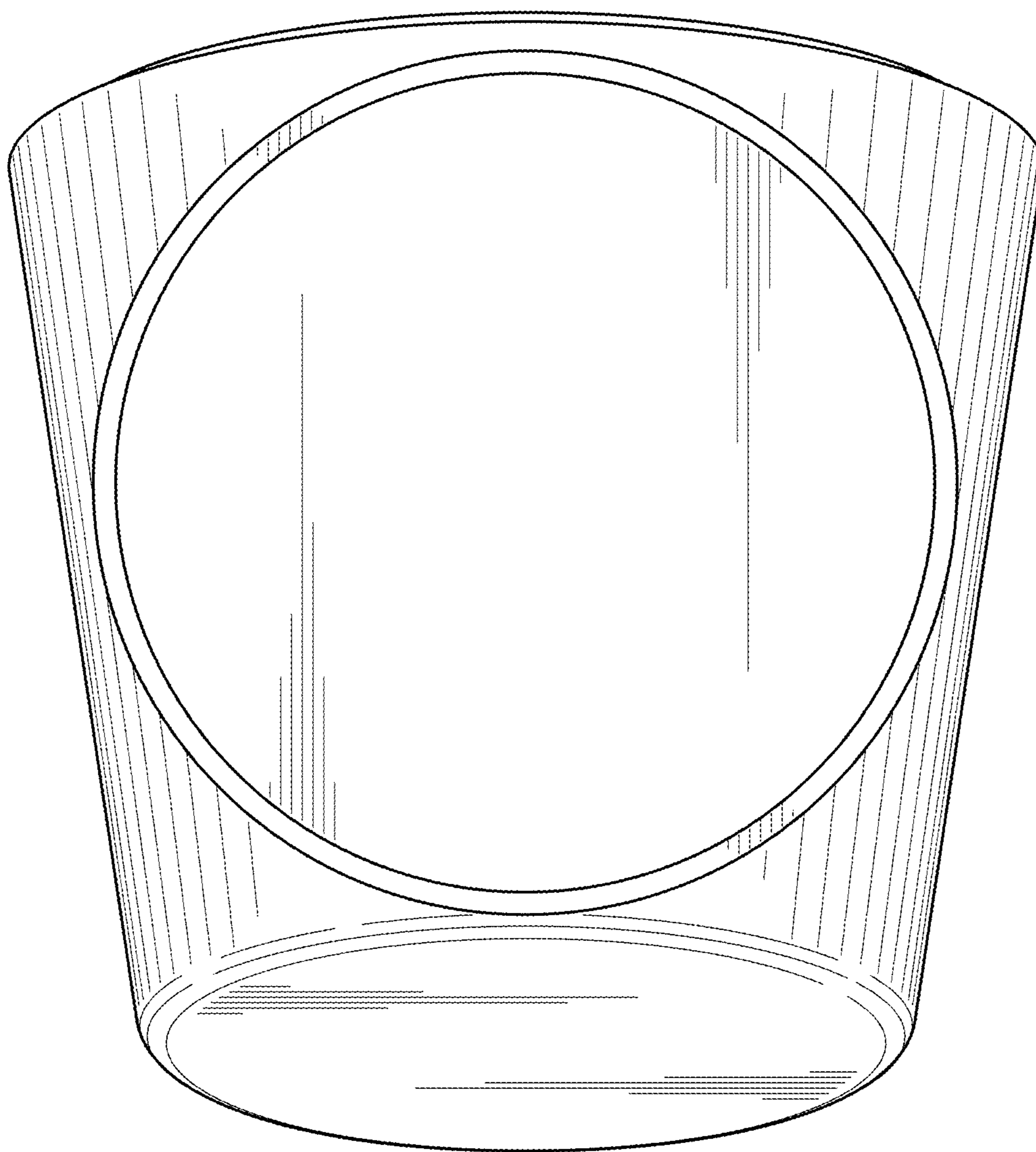


FIG. 6