



US00D749059S

(12) **United States Design Patent**  
**Hinokio**

(10) **Patent No.:** **US D749,059 S**  
(45) **Date of Patent:** **\*\* Feb. 9, 2016**

(54) **SPEAKER**

(71) Applicant: **YAMAHA CORPORATION**,  
Hamamatsu-shi, Shizuoka (JP)

(72) Inventor: **Akie Hinokio**, Hamamatsu (JP)

(73) Assignee: **YAMAHA CORPORATION**,  
Hamamatsu-shi (JP)

(\*\*) Term: **14 Years**

(21) Appl. No.: **29/510,872**

(22) Filed: **Dec. 4, 2014**

(30) **Foreign Application Priority Data**

Aug. 28, 2014 (JP) ..... 2014-018841

(51) **LOC (10) Cl.** ..... **14-03**

(52) **U.S. Cl.**  
USPC ..... **D14/216**

(58) **Field of Classification Search**

USPC ..... D14/167, 168, 170–172, 188, 194–196,  
D14/204, 207, 209.1, 210–216, 219, 221,  
D14/222, 224, 496, 189; 181/143, 144, 147,  
181/148, 150, 153, 157, 198, 199;  
381/300–303, 306, 332, 333, 336, 345,  
381/361–364, 386–388; 369/6–12; D21/51,  
D21/52, 57, 93, 104, 106  
CPC .... B60R 11/0217; G06F 1/1688; H04M 1/03;  
H04M 1/035; H04R 1/02; H04R 1/06; H04R  
1/021; H04R 1/025; H04R 1/026; H04R  
1/028; H04R 1/105; H04R 1/323; H04R  
1/403; H04R 1/2803; H04R 1/2834; H04R  
5/02; H04R 7/20; H04R 9/06; H04R 9/025;  
H04R 2201/021; H04R 2400/00; H04R  
2400/07; H04R 2499/11; H04R 2499/13;  
H04R 2499/15; H04S 3/00; H04S 7/30

See application file for complete search history.

(56) **References Cited**

U.S. PATENT DOCUMENTS

D397,234 S \* 8/1998 Huang ..... D26/63  
D545,858 S \* 7/2007 Li ..... D16/202  
D569,843 S \* 5/2008 Sogabe ..... D14/214  
D591,267 S \* 4/2009 Files ..... D12/114  
D604,880 S \* 11/2009 Lovegrove ..... D26/63  
D629,549 S \* 12/2010 Feigenbaum ..... D26/63

(Continued)

*Primary Examiner* — Keli L Hill

(74) *Attorney, Agent, or Firm* — Sughrue Mion, PLLC

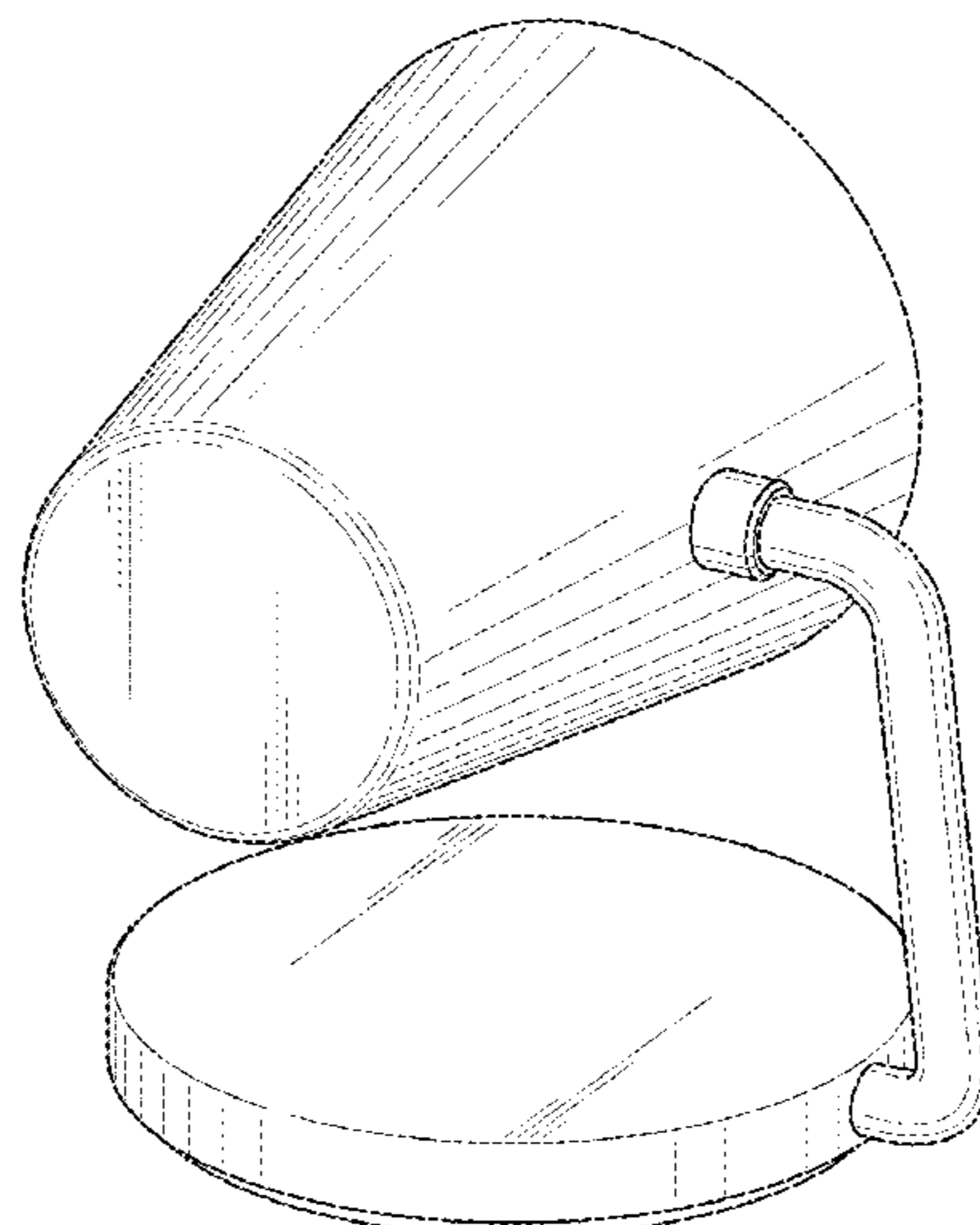
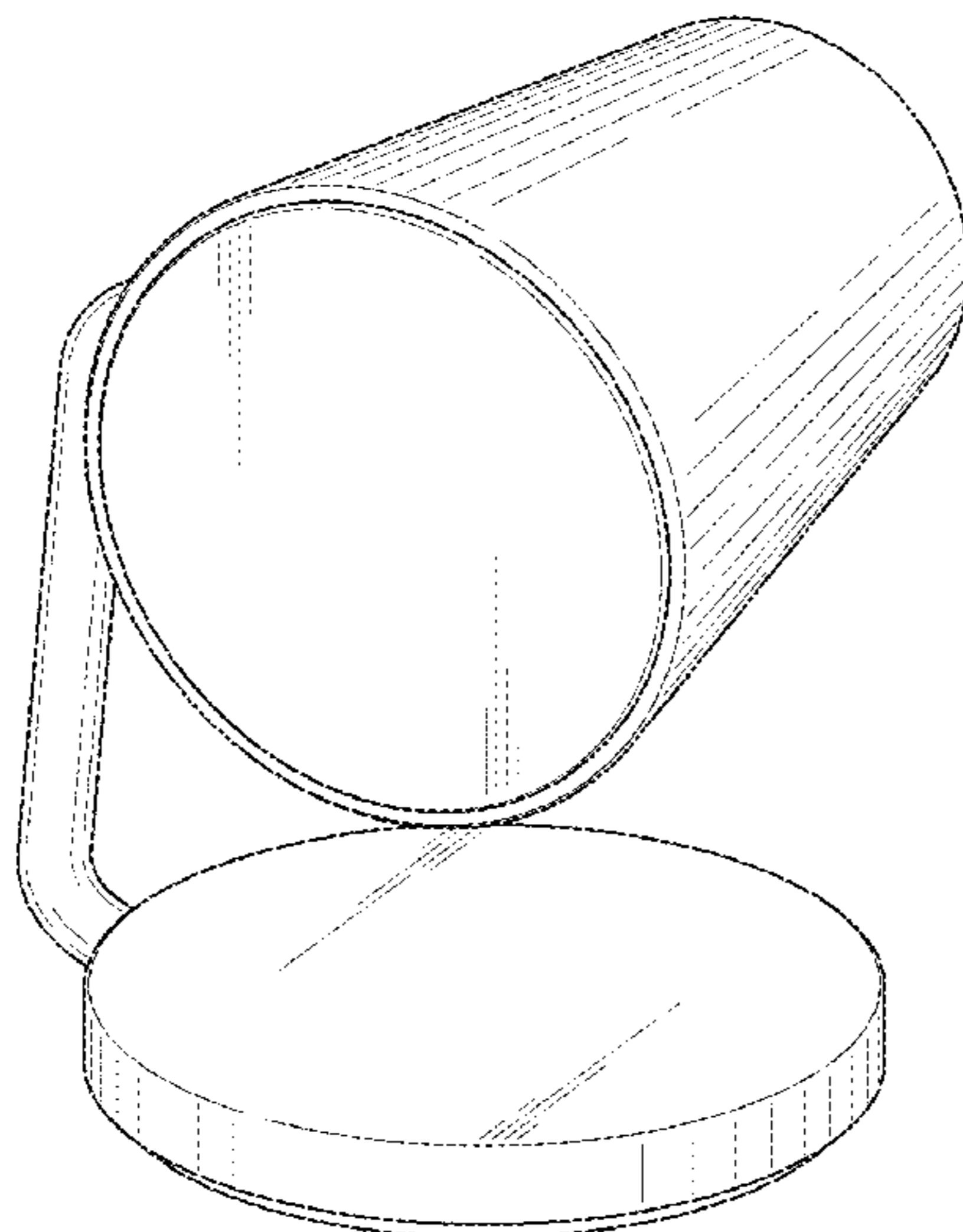
(57) **CLAIM**

The ornamental design for a speaker, as shown and described.

**DESCRIPTION**

FIG. 1 is a front perspective view of a speaker with a rotating speaker head in a first position;  
FIG. 2 is a rear perspective view thereof in the position shown in FIG. 1;  
FIG. 3 is a front view thereof in the position shown in FIG. 1;  
FIG. 4 is a rear view thereof in the position shown in FIG. 1;  
FIG. 5 is a left side view thereof in the position shown in FIG. 1;  
FIG. 6 is a right side view thereof in the position shown in FIG. 1;  
FIG. 7 is a top plan view thereof in the position shown in FIG. 1;  
FIG. 8 is a bottom view thereof in the position shown in FIG. 1;  
FIG. 9 is a front perspective view thereof in a second position;  
FIG. 10 is a rear perspective view thereof in the second position;  
FIG. 11 is a front perspective view thereof in a third position;  
and,  
FIG. 12 is a rear perspective view thereof in the third position.

**1 Claim, 6 Drawing Sheets**



# US D749,059 S

Page 2

---

(56)

## References Cited

### U.S. PATENT DOCUMENTS

D670,846 S \* 11/2012 Ramirez ..... D26/63  
D697,046 S \* 1/2014 Hanna ..... D14/204

D718,281 S \* 11/2014 Schmiedbauer ..... D14/216  
D727,290 S \* 4/2015 Kim ..... D14/208  
D735,694 S \* 8/2015 Allen ..... D14/211  
D736,743 S \* 8/2015 Kowaki ..... D14/215

\* cited by examiner

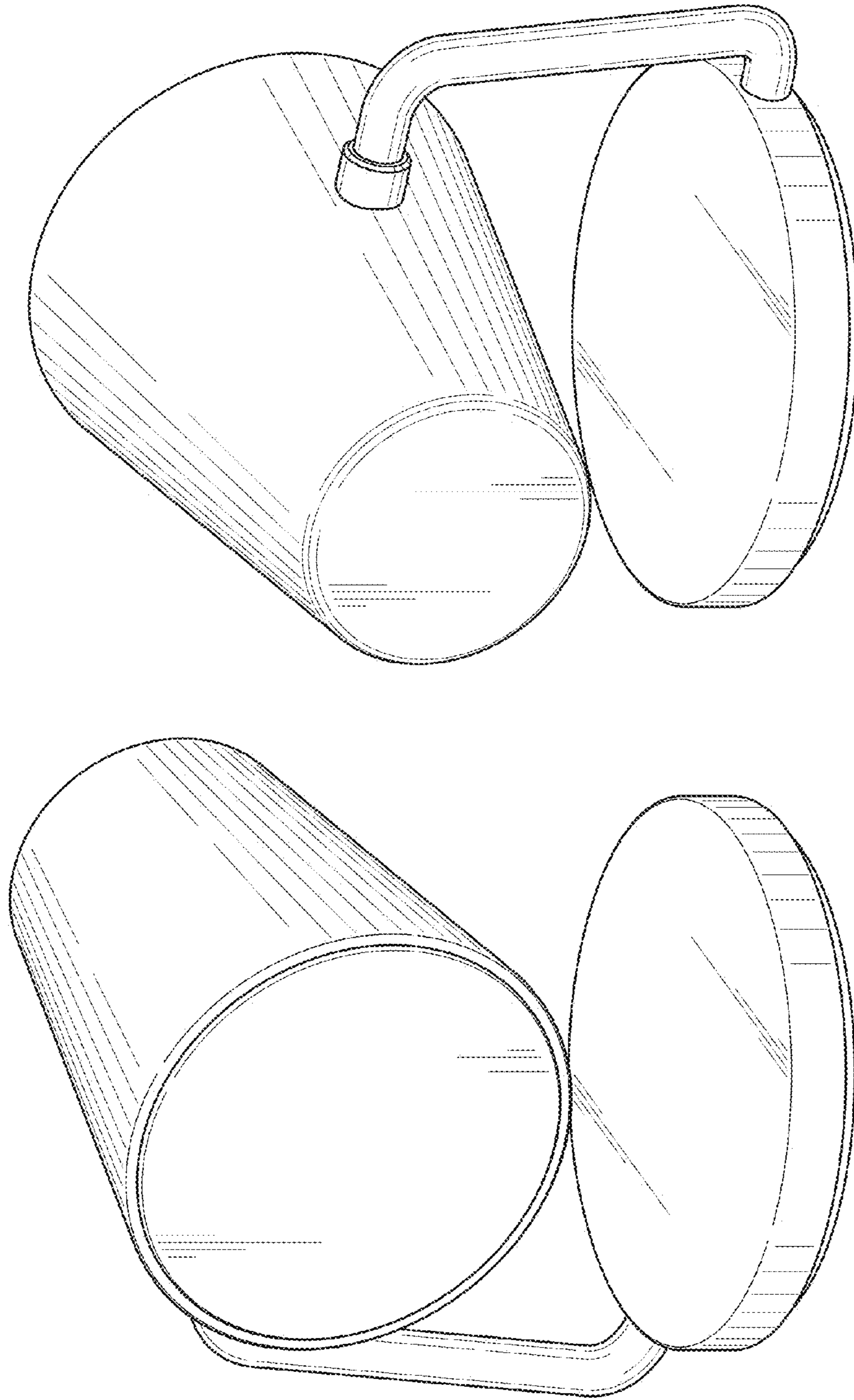


FIG. 2

FIG. 1

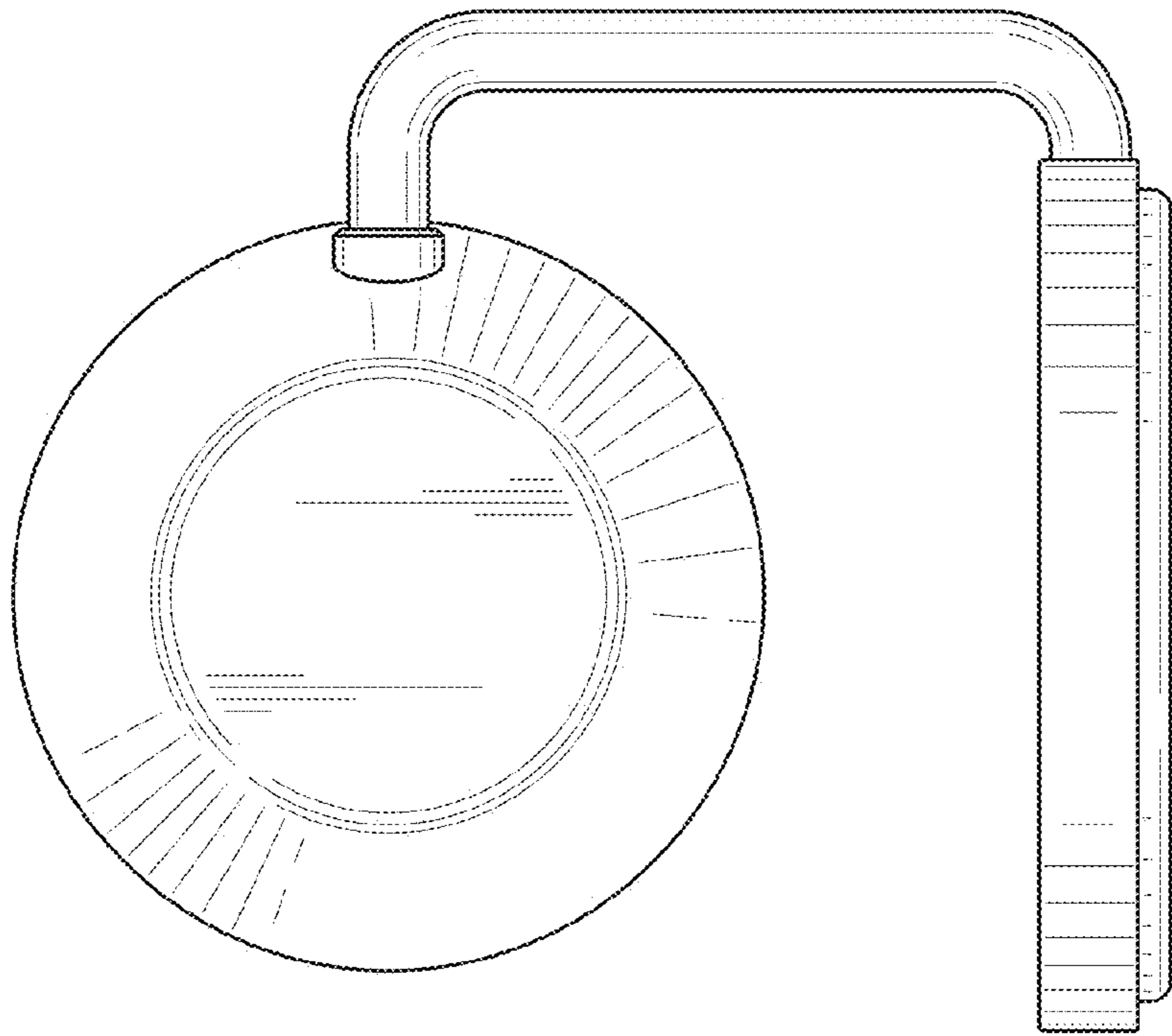


FIG. 4

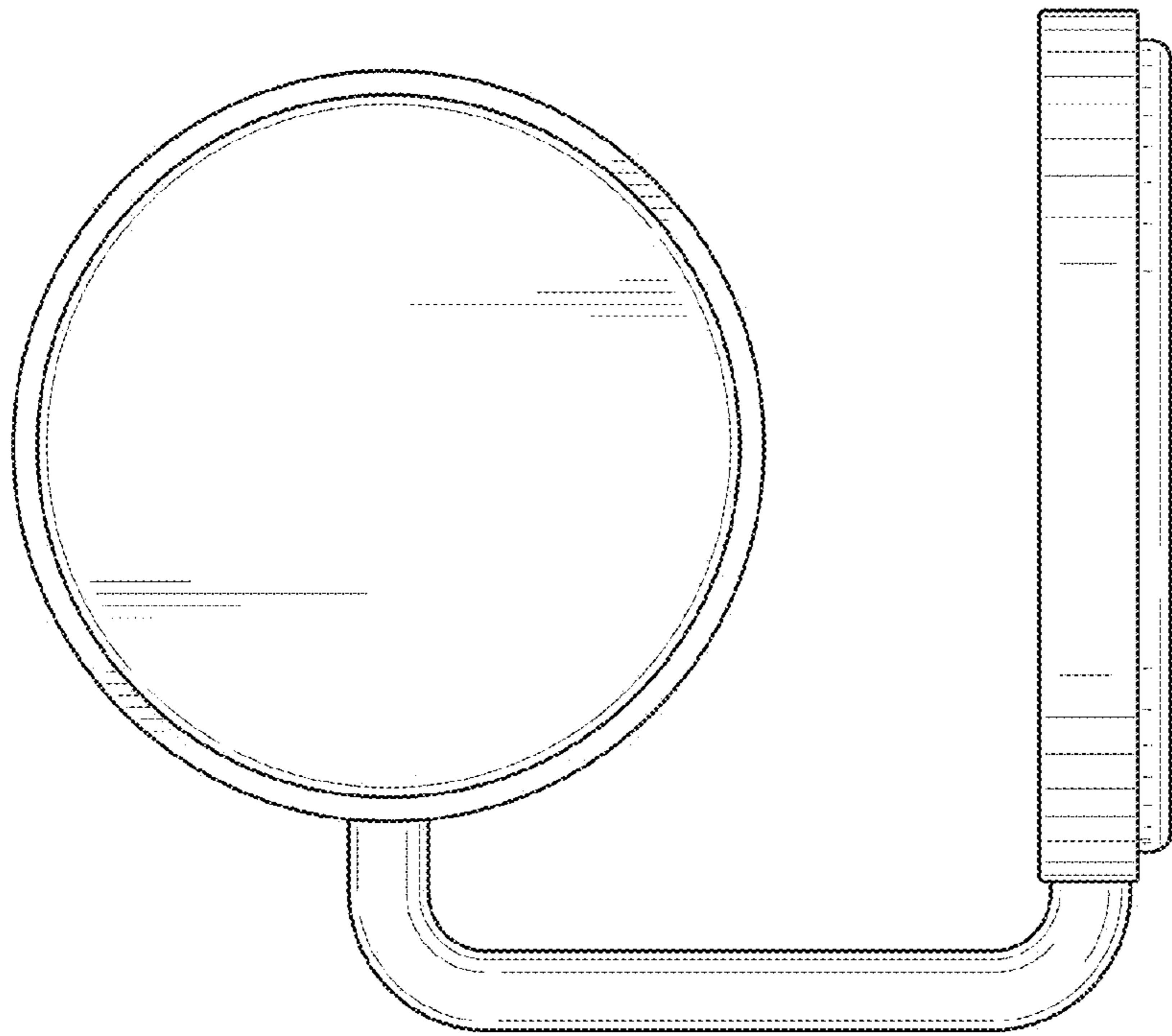


FIG. 3

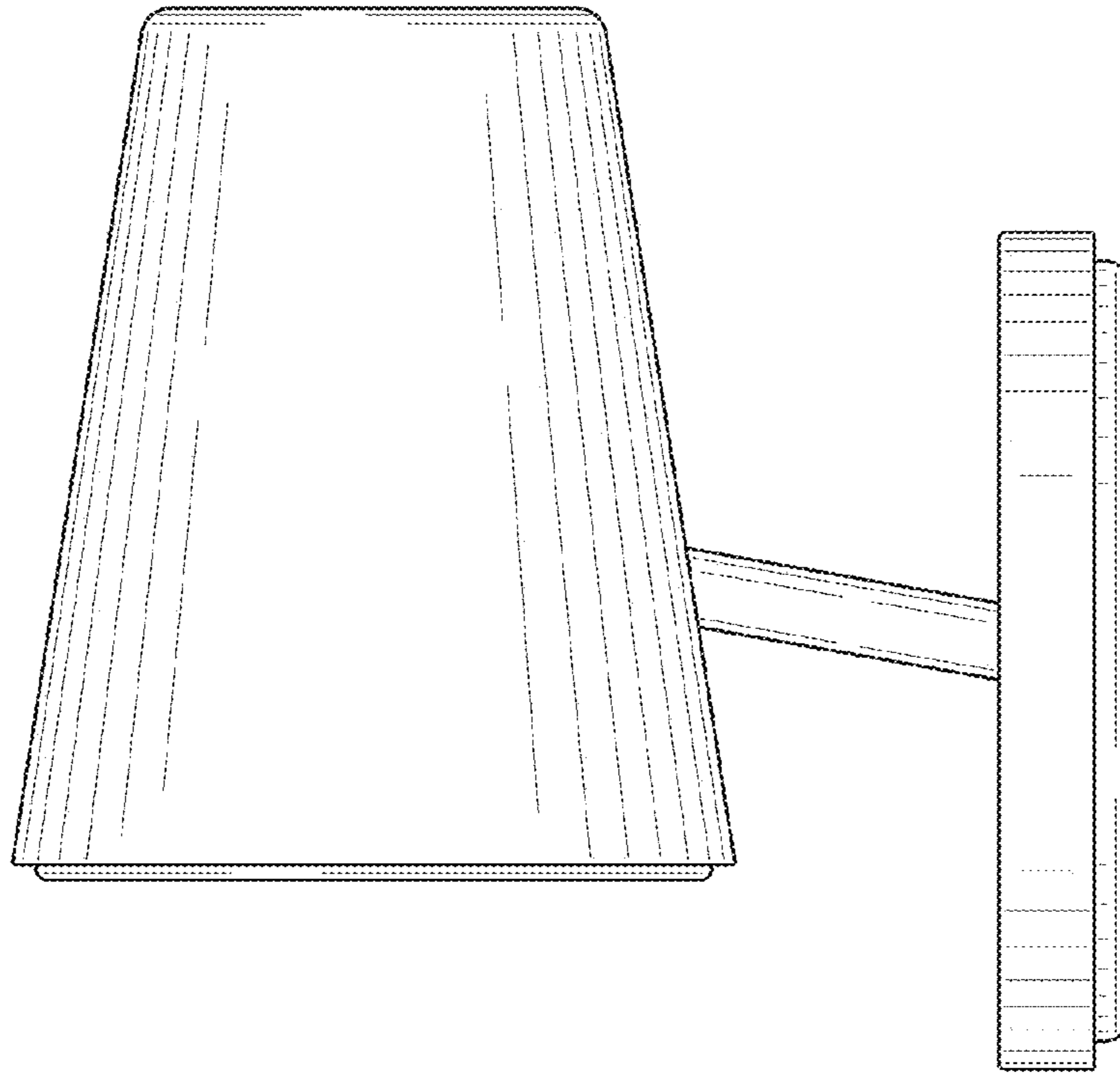


FIG. 6

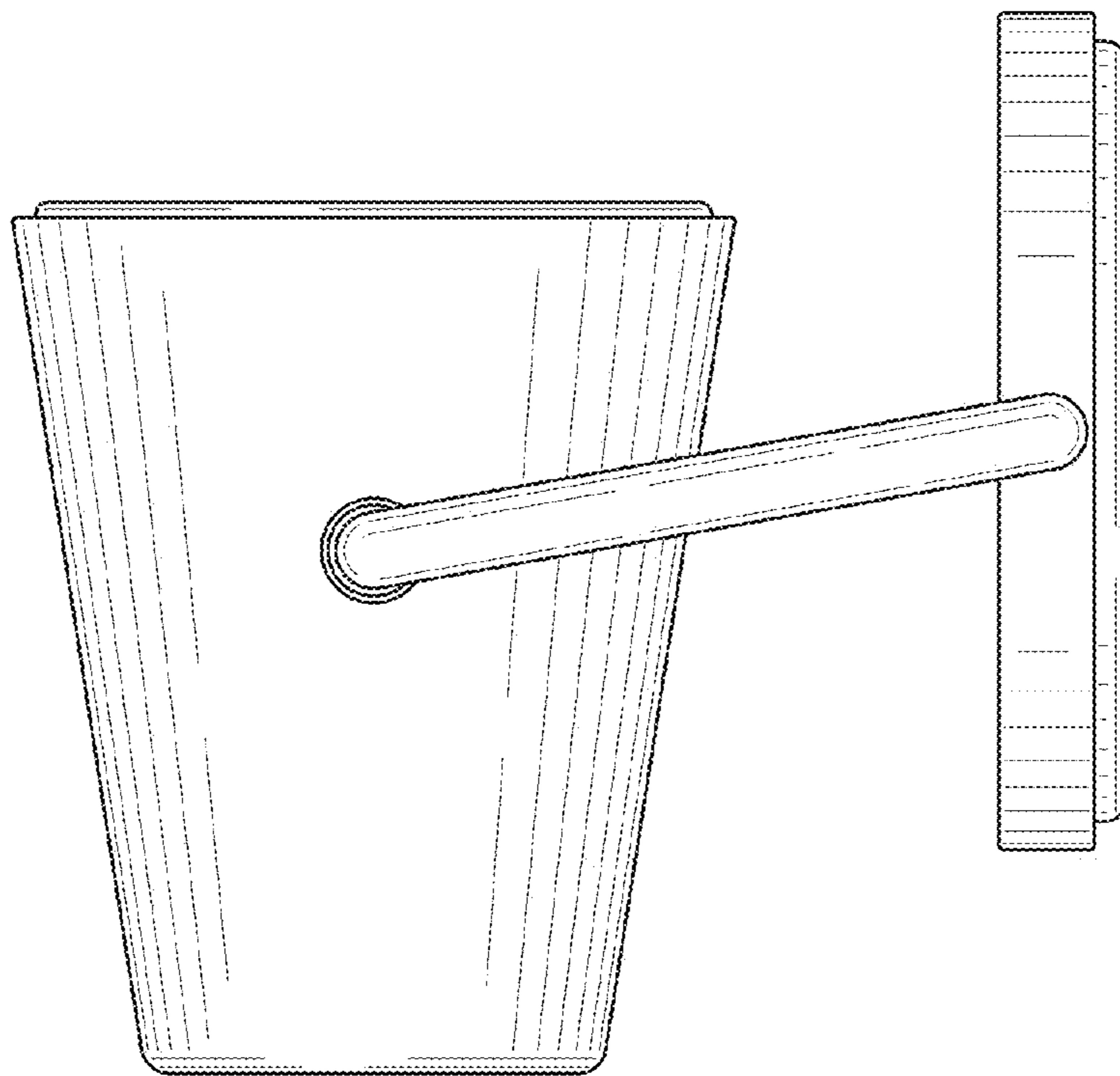


FIG. 5

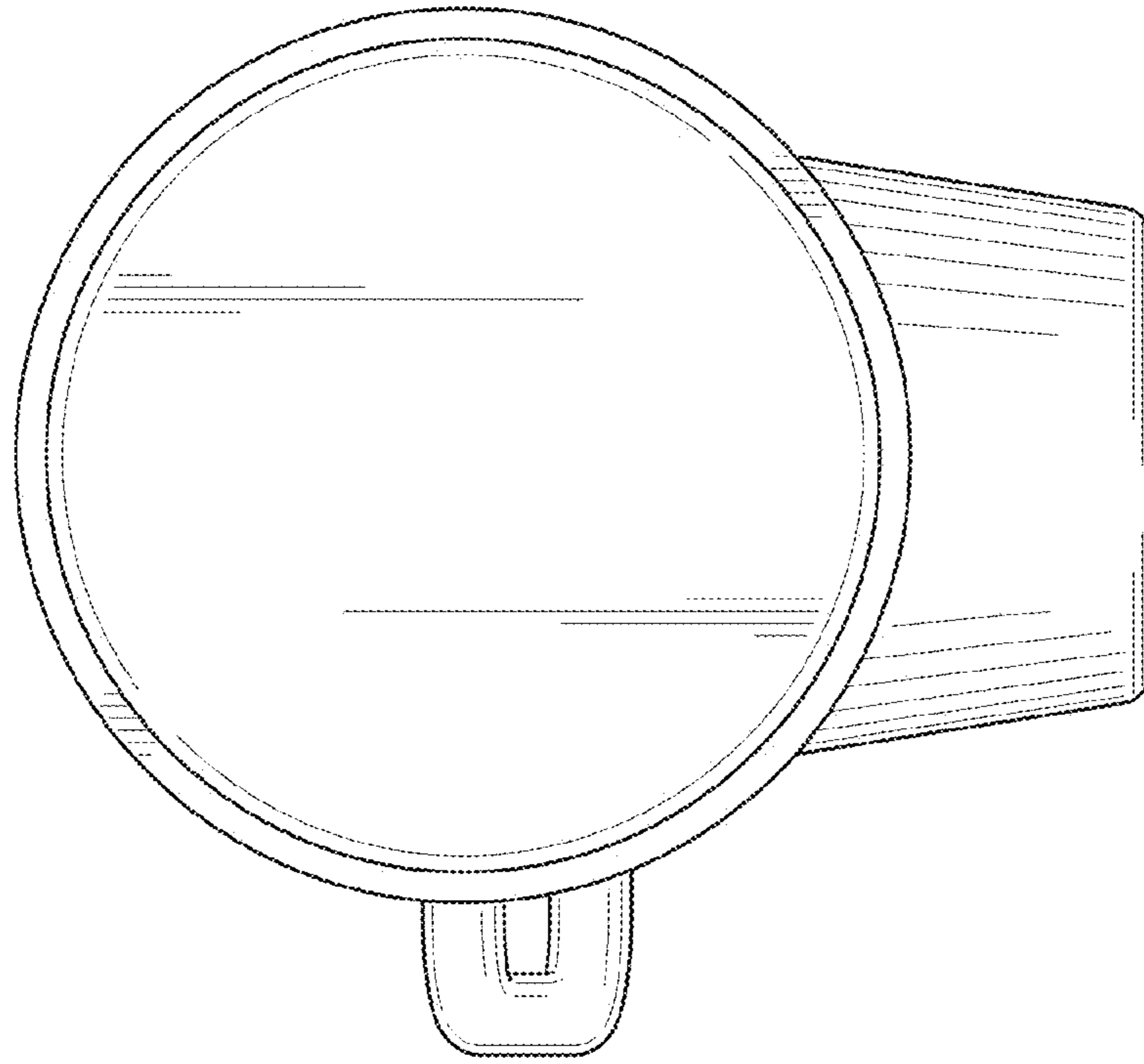


FIG. 7

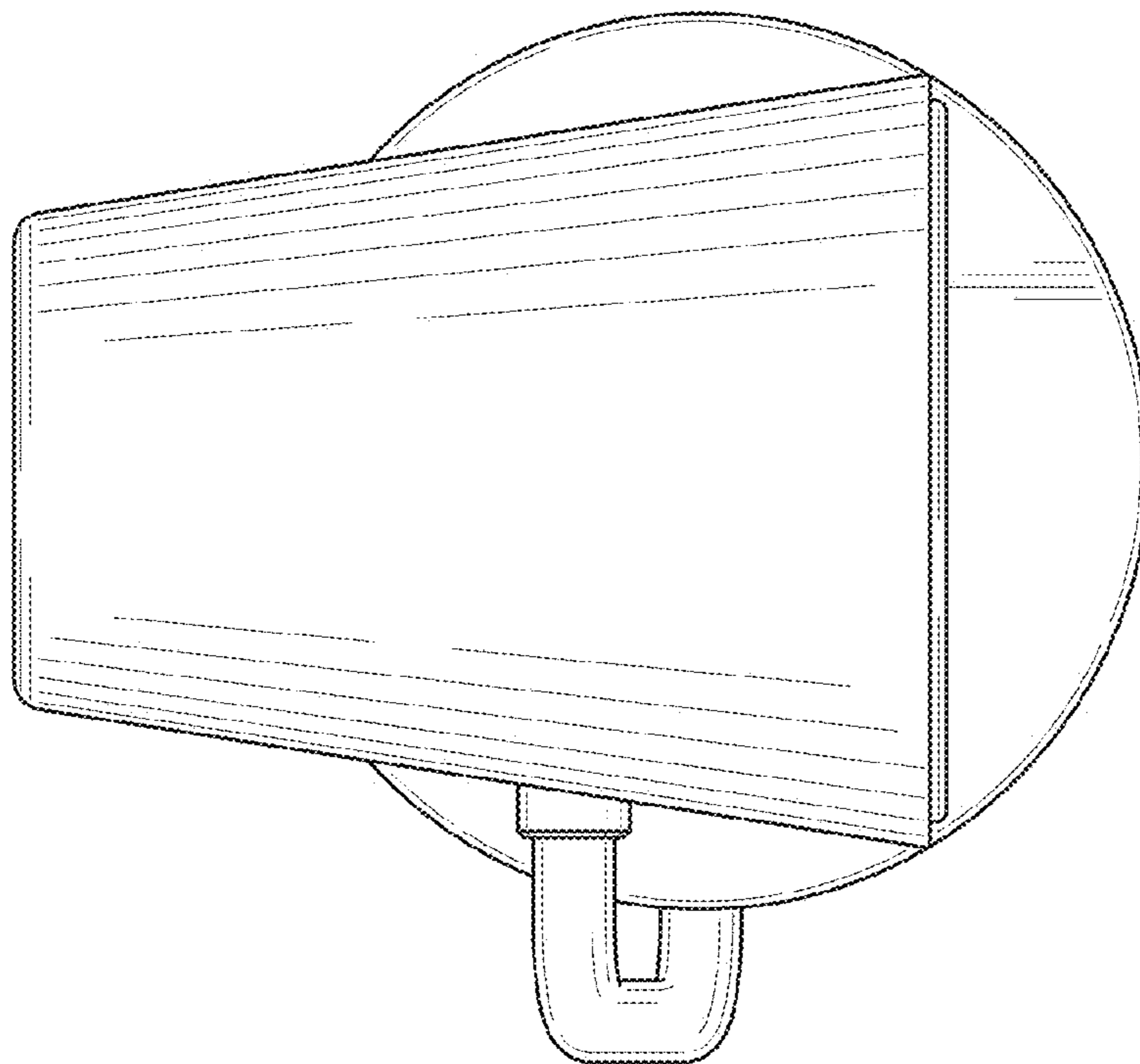


FIG. 8

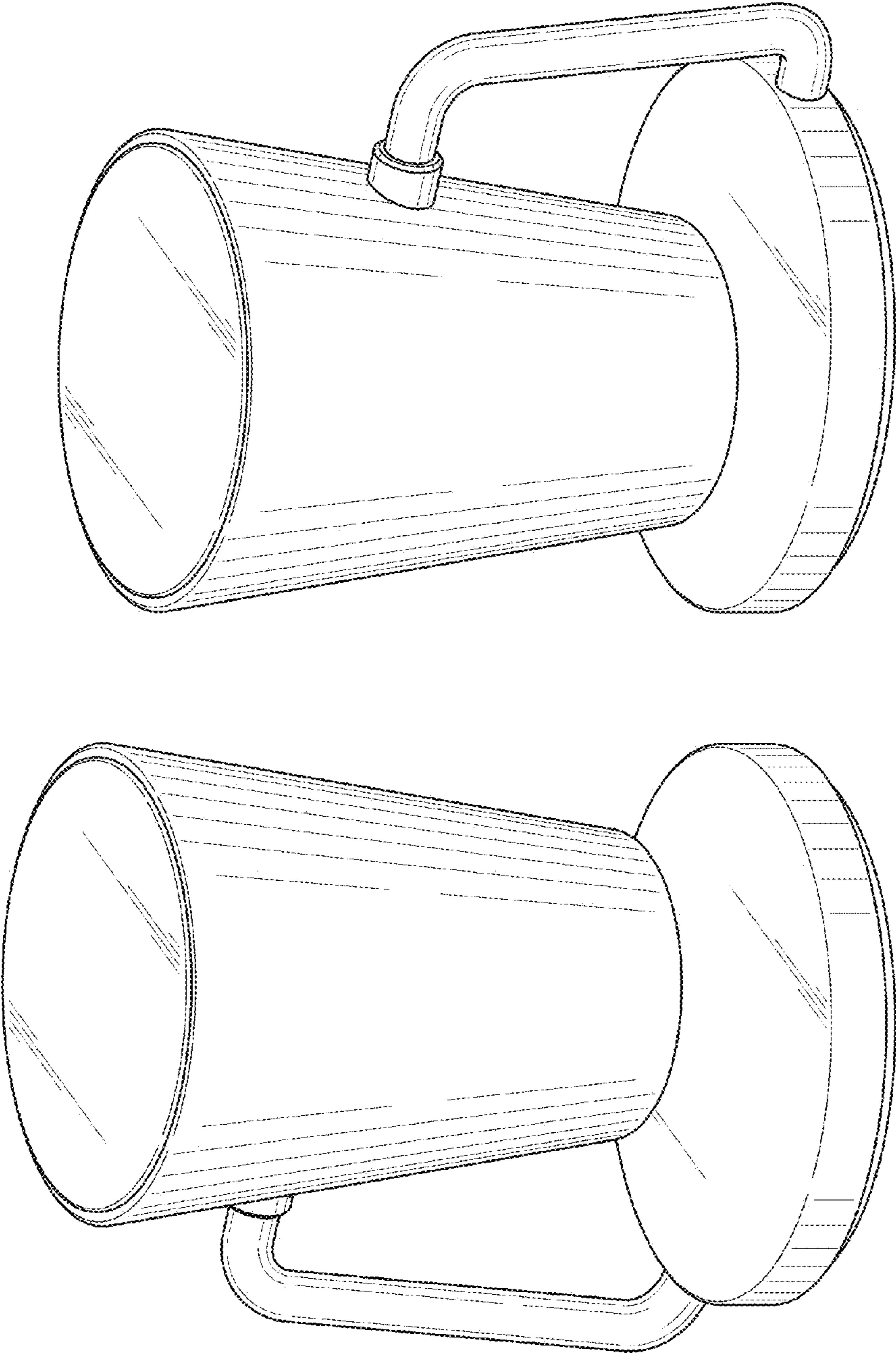


FIG. 10

FIG. 9

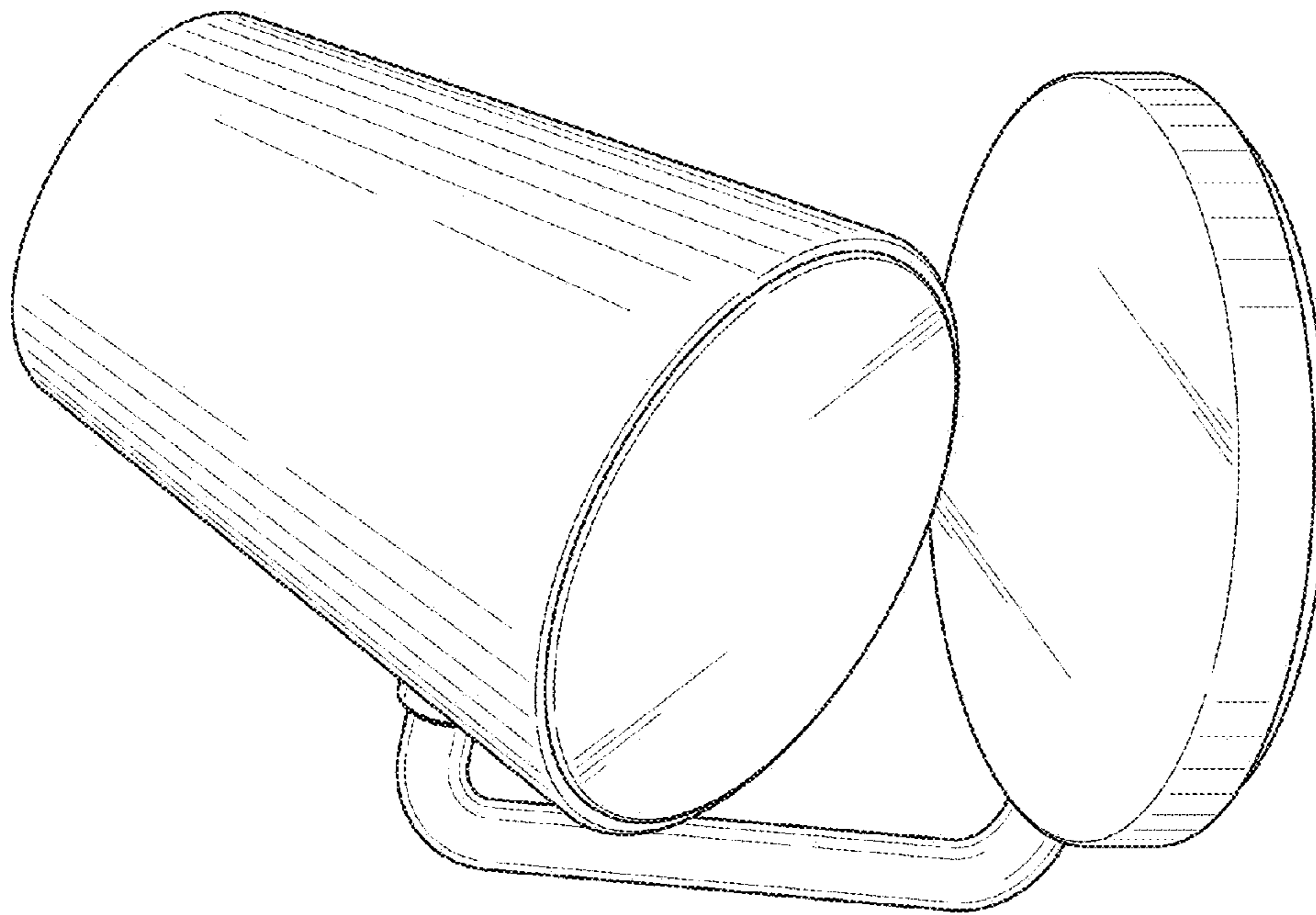


FIG. 11

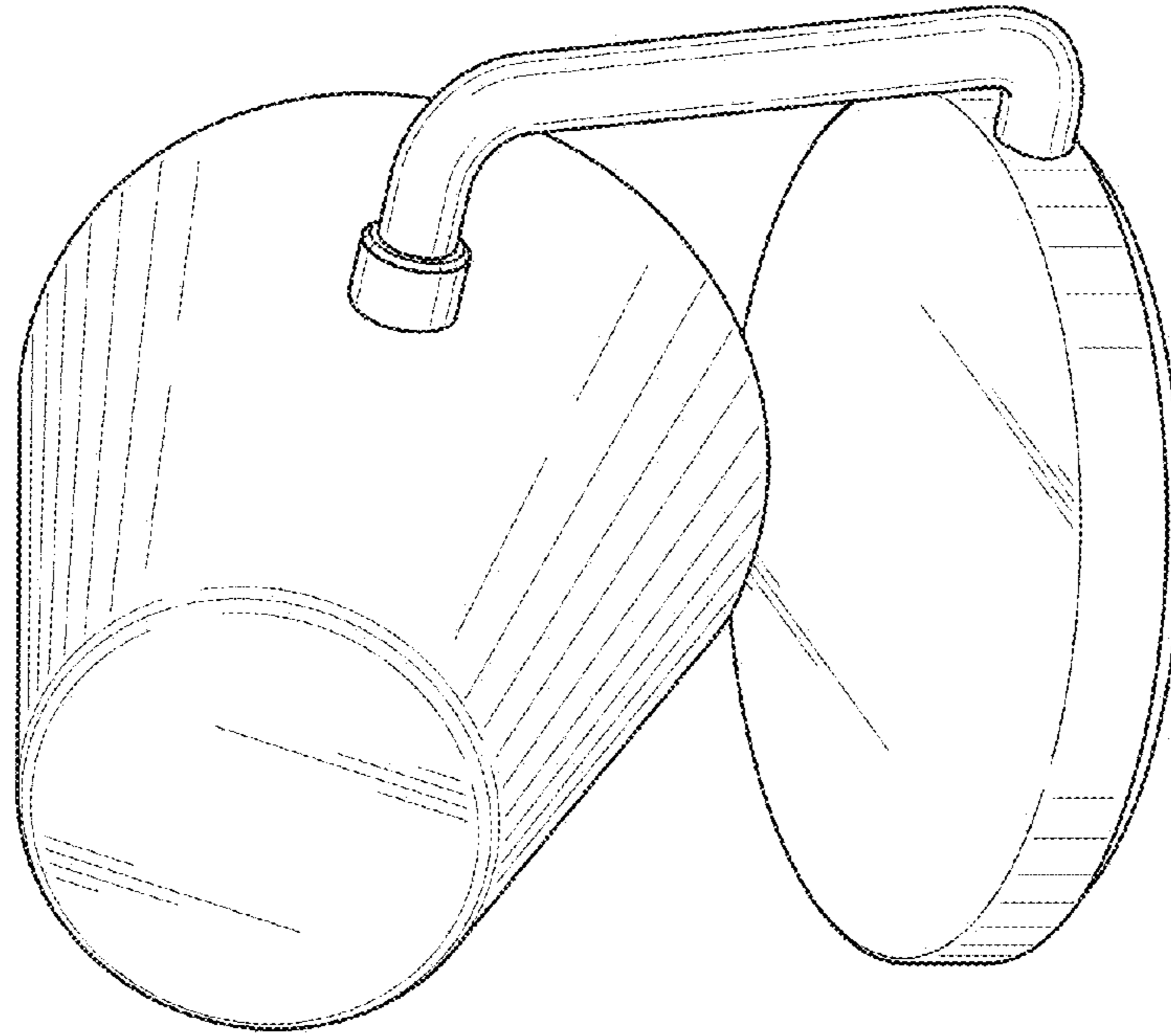


FIG. 12