



US00D749057S

(12) **United States Design Patent**  
**Woo et al.**

(10) **Patent No.:** **US D749,057 S**

(45) **Date of Patent:** **\*\* Feb. 9, 2016**

(54) **SPEAKER**

H04R 2201/021; H04R 2400/00; H04R 2400/07; H04R 2499/11; H04R 2499/13; H04R 2499/15; H04S 3/00; H04S 7/30

(71) Applicant: **Samsung Electronics Co., Ltd.**,  
Suwon-si (KR)

See application file for complete search history.

(72) Inventors: **Sang-Sung Woo**, Seoul (KR);  
**Dae-Joung Kim**, Seoul (KR);  
**Dae-Kyung Ahn**, Namyangju-si (KR)

(56) **References Cited**

U.S. PATENT DOCUMENTS

(73) Assignee: **Samsung Electronics Co., Ltd.**,  
Suwon-si (KR)

D294,569 S *	3/1988	Geraets .....	D14/188
D394,860 S *	6/1998	Kitsmiller .....	D14/211
D471,888 S *	3/2003	Solland .....	D14/204
D618,215 S *	6/2010	Wang .....	D14/215
D689,040 S *	9/2013	Calhoun .....	D14/210
D698,752 S *	2/2014	Wang .....	D14/214

(\*\*) Term: **14 Years**

\* cited by examiner

(21) Appl. No.: **29/509,820**

*Primary Examiner* — Keli L Hill

(22) Filed: **Nov. 21, 2014**

(74) *Attorney, Agent, or Firm* — NSIP Law

(30) **Foreign Application Priority Data**

May 21, 2014 (KR) ..... 30-2014-0025046

(51) **LOC (10) Cl.** ..... **14-03**

(52) **U.S. Cl.**  
USPC ..... **D14/214**

(57) **CLAIM**

We claim the ornamental design for a speaker, as shown and described.

(58) **Field of Classification Search**

USPC ..... D14/167, 168, 170–172, 188, 194–196, D14/204, 207, 209.1, 210–216, 219, 221, D14/222, 224, 496; 181/143, 144, 147, 148, 181/150, 153, 157, 198, 199; 381/300–303, 381/306, 332, 333, 336, 345, 361–364, 381/386–388; 369/6–12

CPC .... B60R 11/0217; G06F 1/1688; H04M 1/03; H04M 1/035; H04R 1/02; H04R 1/06; H04R 1/021; H04R 1/025; H04R 1/026; H04R 1/028; H04R 1/105; H04R 1/323; H04R 1/403; H04R 1/2803; H04R 1/2834; H04R 5/02; H04R 7/20; H04R 9/06; H04R 9/025;

**DESCRIPTION**

FIG. 1 is a front perspective view of a speaker showing our new design;  
 FIG. 2 is a front view thereof;  
 FIG. 3 is a rear view thereof;  
 FIG. 4 is a left-side view thereof;  
 FIG. 5 is a right-side view thereof;  
 FIG. 6 is a top view thereof; and,  
 FIG. 7 is a bottom view thereof.  
 The broken lines in the figures show portions of the speaker which form no part of the claimed design.

**1 Claim, 7 Drawing Sheets**

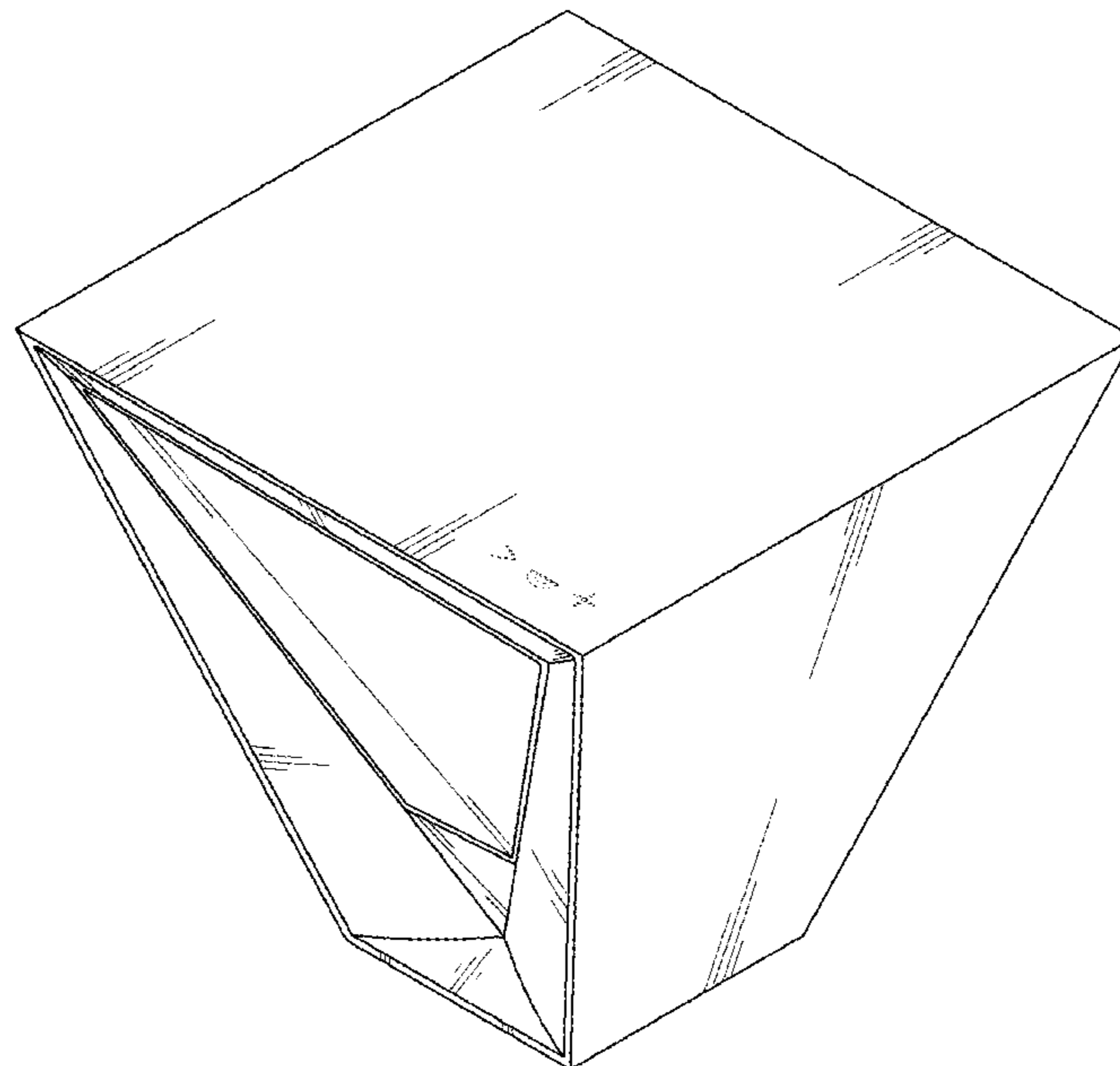


FIG. 1

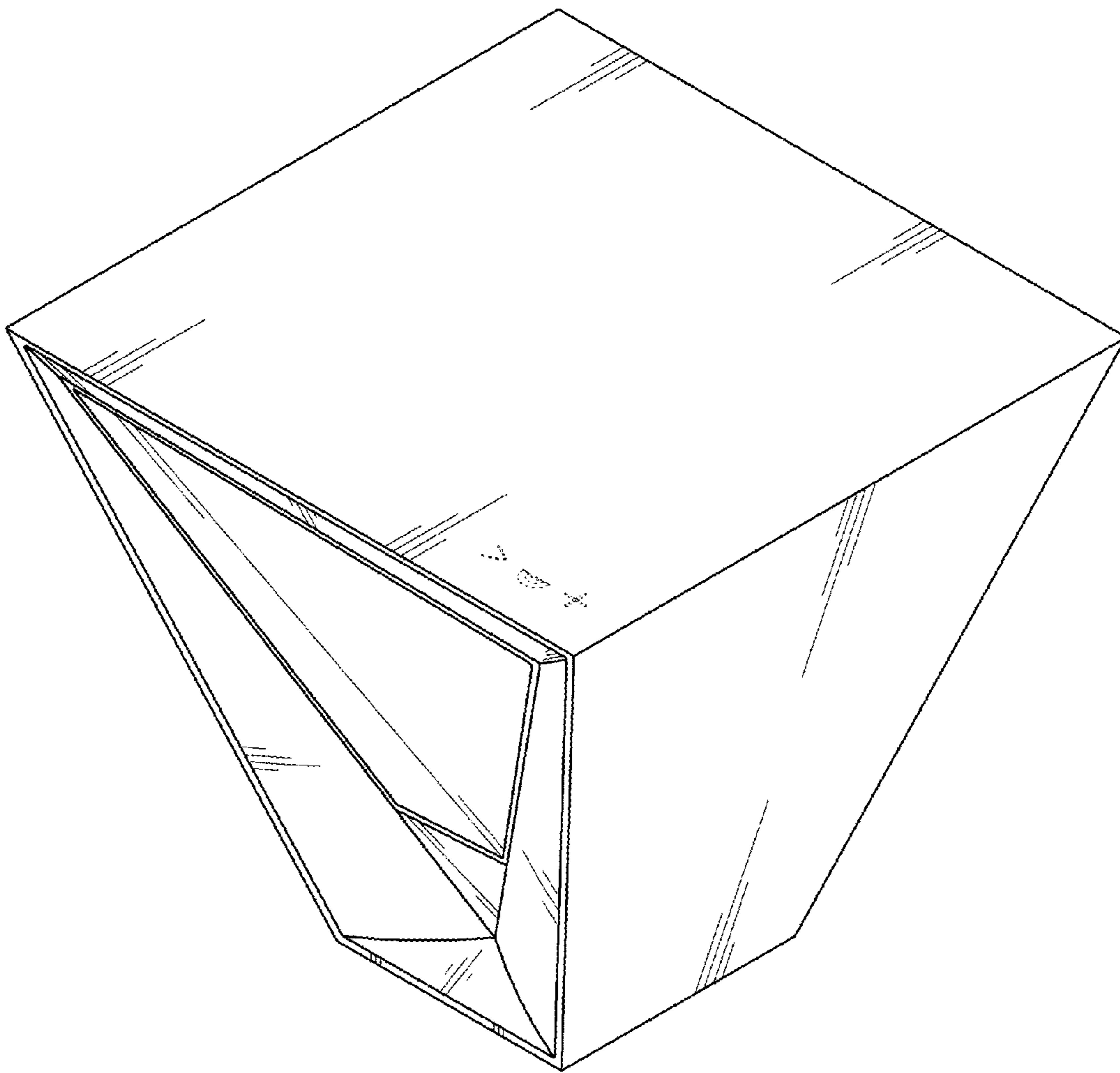


FIG. 2

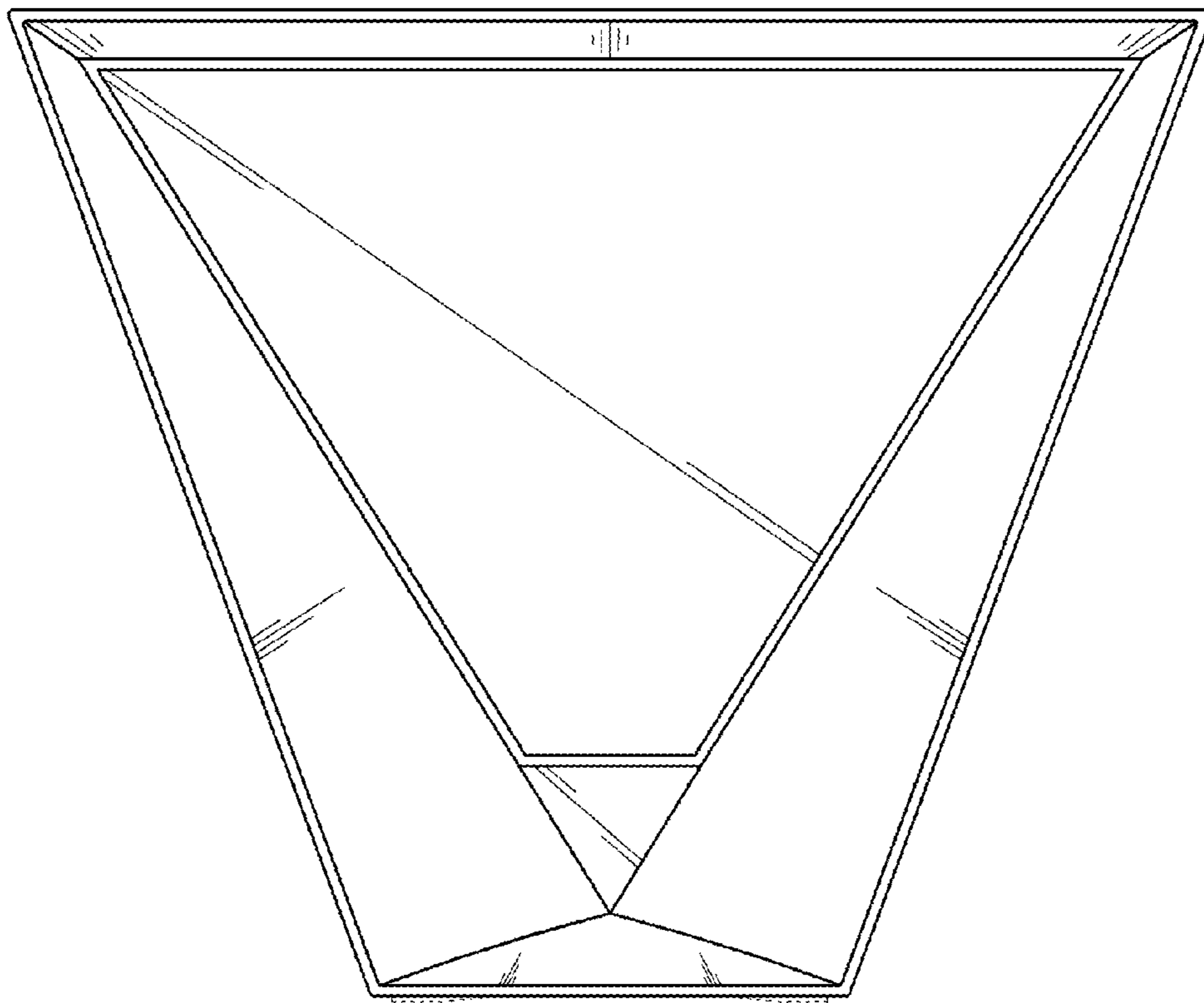


FIG. 3

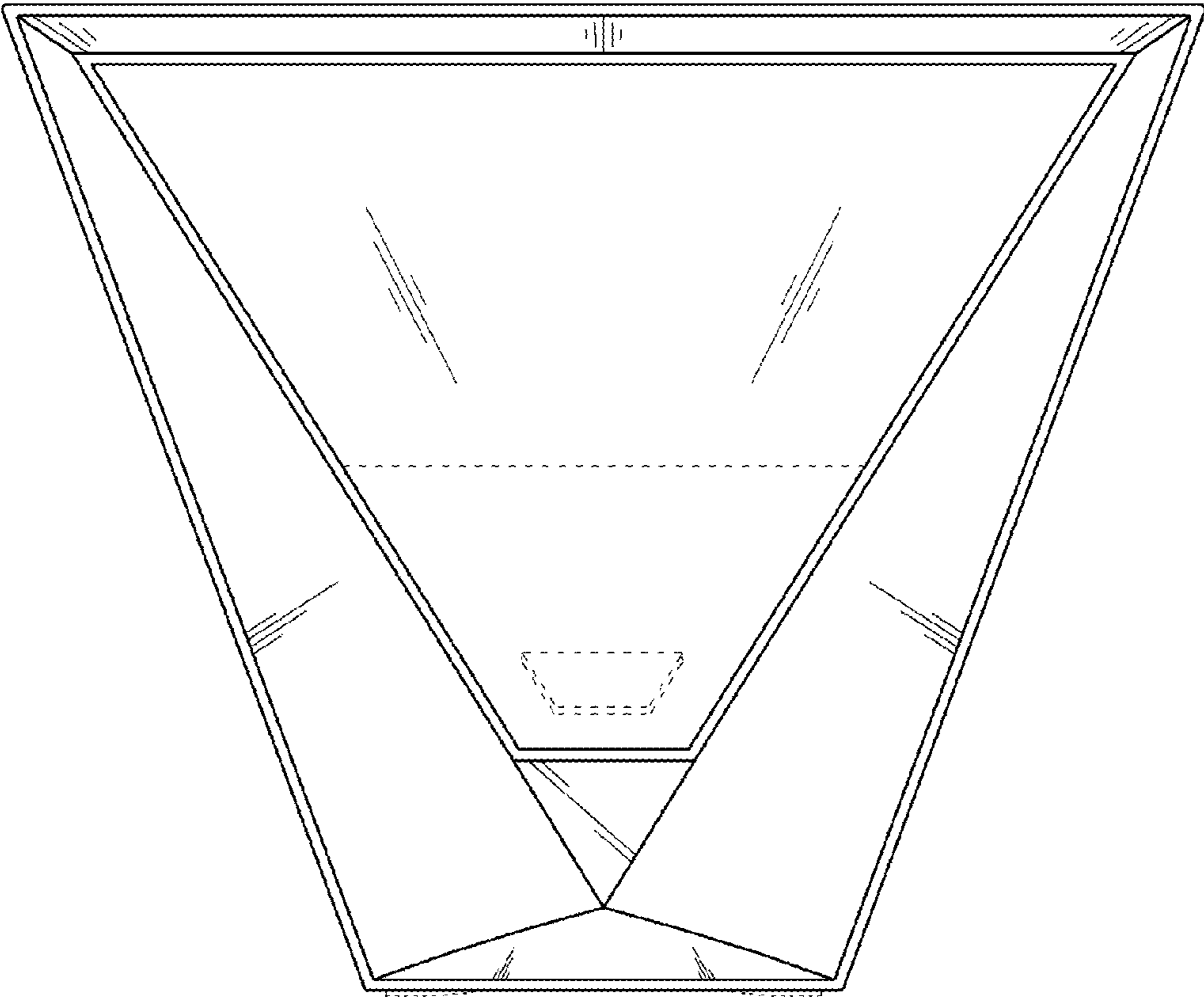


FIG. 4

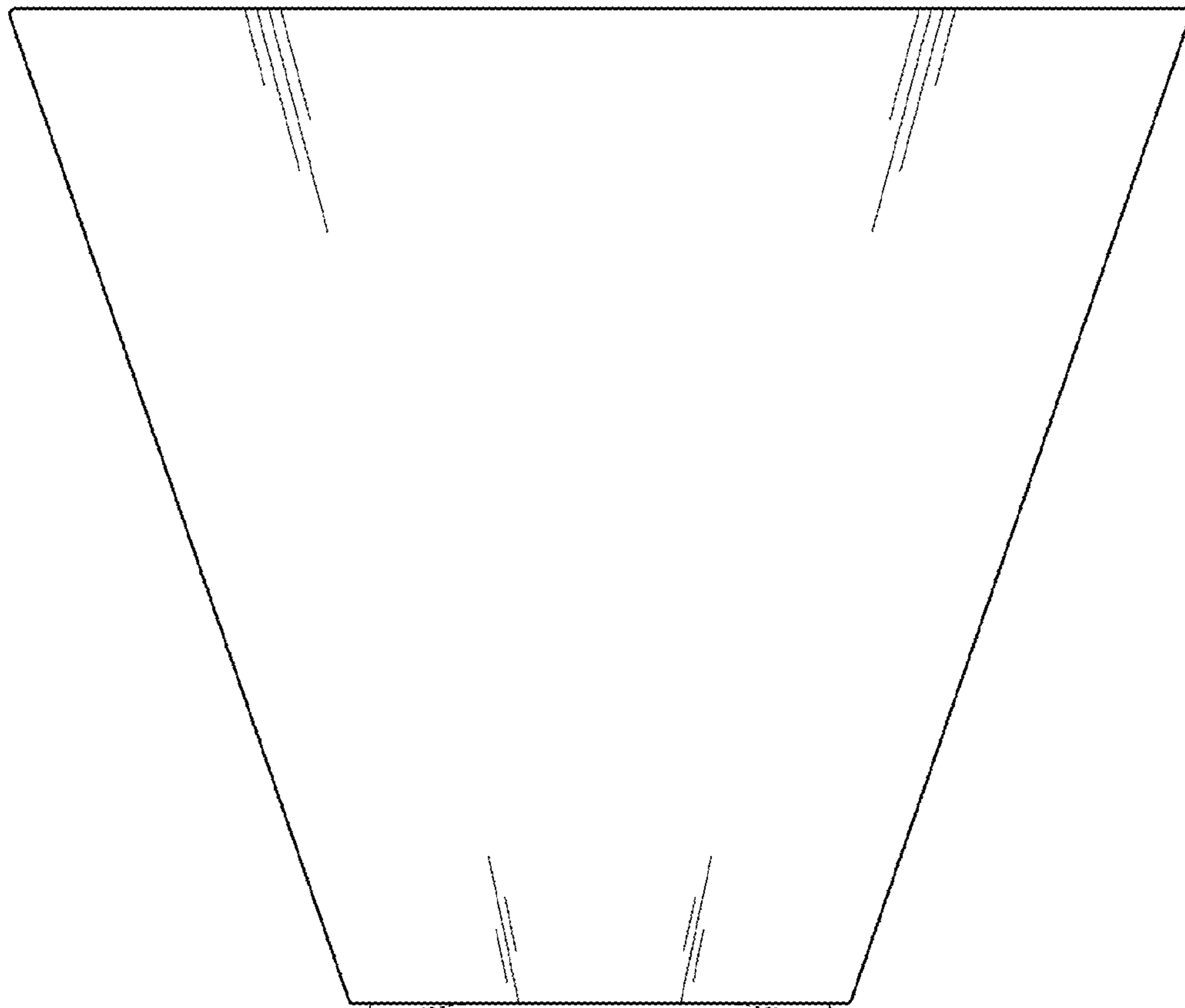


FIG. 5

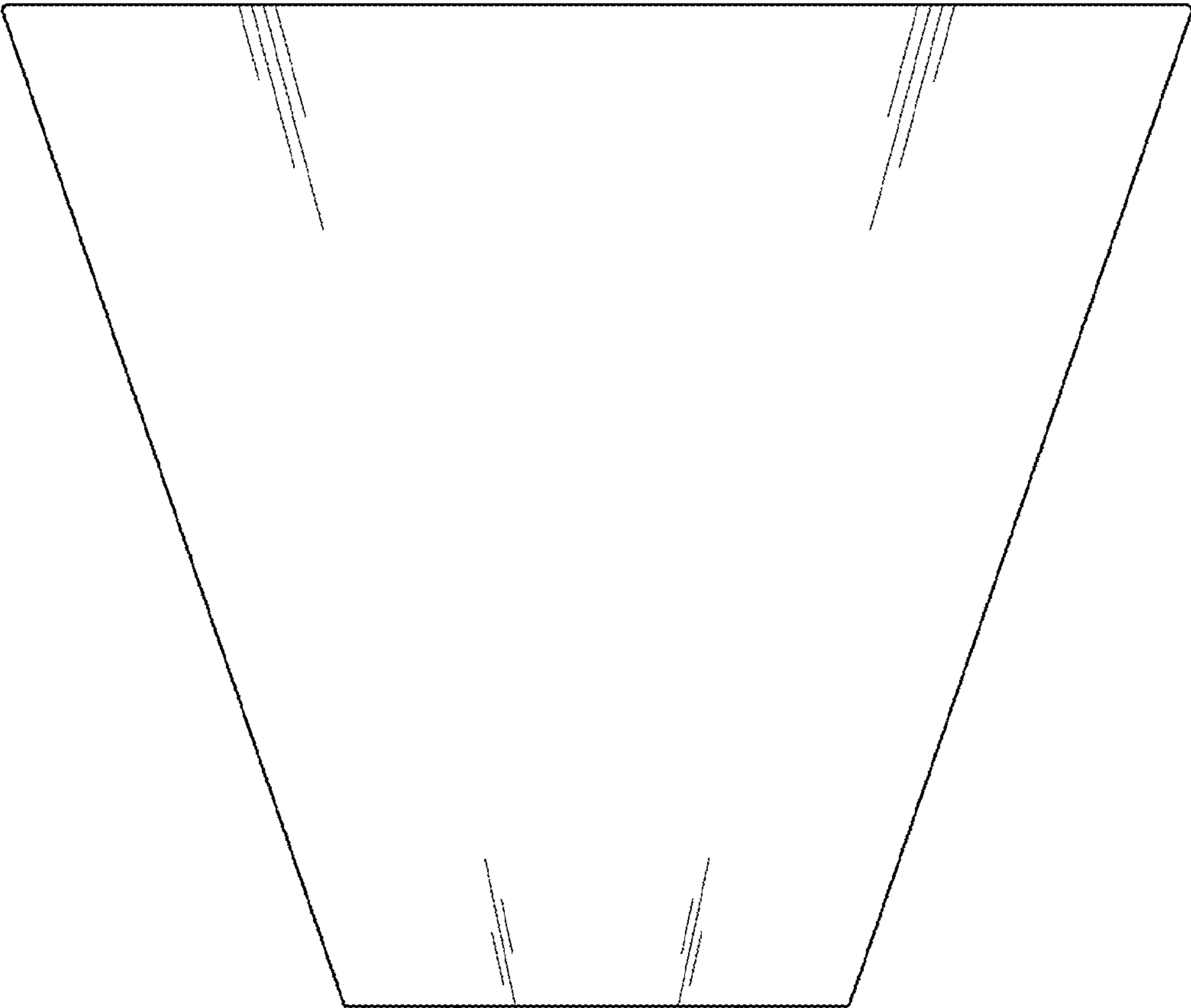


FIG. 6

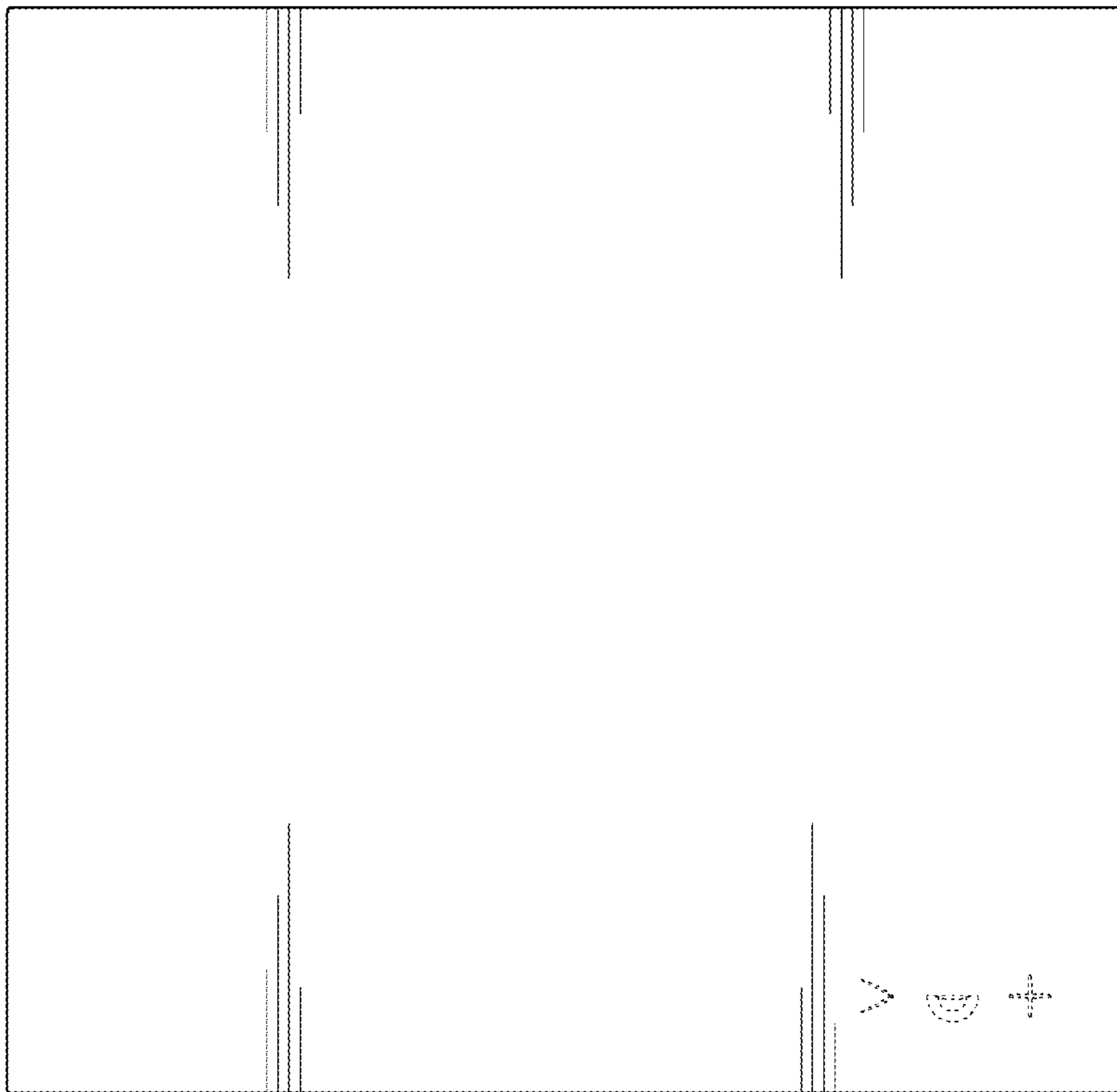




FIG. 7

