

US00D749056S

(12) **United States Design Patent**  
**Xin et al.**

(10) **Patent No.:** **US D749,056 S**  
(45) **Date of Patent:** **\*\* Feb. 9, 2016**

(54) **SPEAKER**

- (71) Applicant: **Bose Corporation**, Framingham, MA (US)
- (72) Inventors: **Huiying Xin**, Shenzhen (CN); **Richard J. Carbone**, Sterling, MA (US)
- (73) Assignee: **Bose Corporation**, Framingham, MA (US)
- (\*\*) Term: **14 Years**
- (21) Appl. No.: **29/502,092**

- (22) Filed: **Sep. 11, 2014**
- (51) **LOC (10) Cl.** ..... **14-03**
- (52) **U.S. Cl.**  
USPC ..... **D14/214**

- (58) **Field of Classification Search**  
USPC ..... D14/167, 168, 170-172, 188, 194-196, D14/204, 207, 209.1, 210-216, 219, 221, D14/222, 224, 496; 181/143, 144, 147, 148, 181/150, 153, 157, 198, 199; 381/300-303, 381/306, 332, 333, 336, 345, 361-364, 381/386-388; 369/6-12  
CPC .... B60R 11/0217; G06F 1/1688; H04M 1/03; H04M 1/035; H04R 1/02; H04R 1/06; H04R 1/021; H04R 1/025; H04R 1/026; H04R 1/028; H04R 1/105; H04R 1/323; H04R 1/403; H04R 1/2803; H04R 1/2834; H04R 5/02; H04R 7/20; H04R 9/06; H04R 9/025; H04R 2201/021; H04R 2400/00; H04R 2400/07; H04R 2499/11; H04R 2499/13; H04R 2499/15; H04S 3/00; H04S 7/30  
See application file for complete search history.

(56) **References Cited**

**U.S. PATENT DOCUMENTS**

- D589,939 S \* 4/2009 Hsu ..... D14/214
- D597,529 S \* 8/2009 Tan et al. .... D14/214
- D618,213 S \* 6/2010 Goh et al. .... D14/209.1

(Continued)

**OTHER PUBLICATIONS**

Cnet.com; Dawson, Stephen; "Onkyo LS-B50 Soundbar System review"; "http://www.cnet.com/au/products/onkyo-ls-b50-soundbar-system/"; dated Dec. 2, 2013; accessed Sep. 21, 2015; 7pgs.\*

(Continued)

*Primary Examiner* — Keli L Hill

(74) *Attorney, Agent, or Firm* — Bose Corporation

(57) **CLAIM**

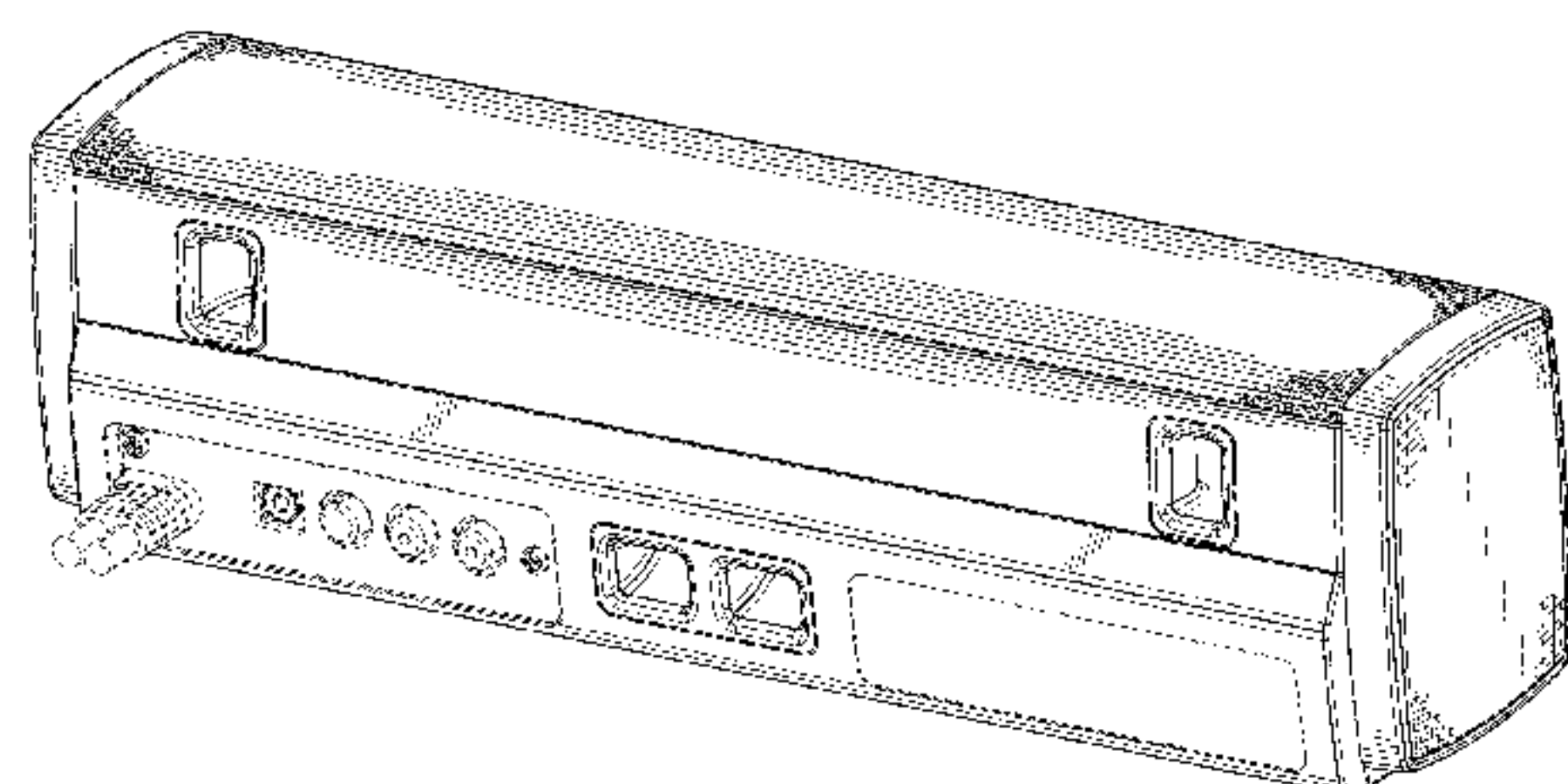
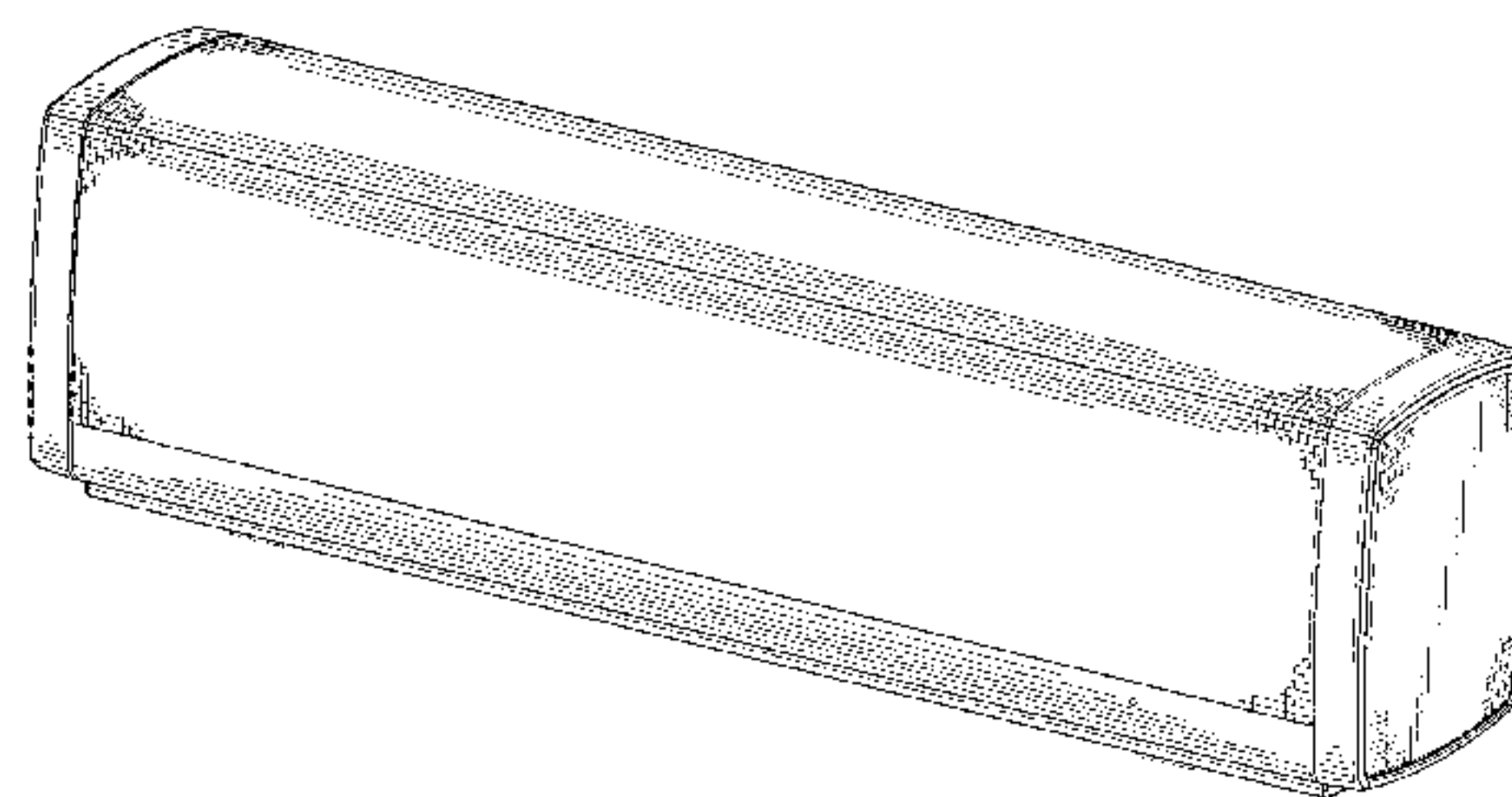
The ornamental design for a speaker, substantially as shown and described.

**DESCRIPTION**

FIG. 1 is a perspective view of a first embodiment of a speaker as seen from the front, top and side;  
 FIG. 2 is a perspective view thereof as seen from the back, top and opposite side;  
 FIG. 3 is a front view thereof;  
 FIG. 4 is a back view thereof;  
 FIG. 5 is a top view thereof;  
 FIG. 6 is a bottom view thereof;  
 FIG. 7 is a opposite side view thereof;  
 FIG. 8 is an side view thereof;  
 FIG. 9 is a perspective view of a second embodiment of a speaker as seen from the front, top and side;  
 FIG. 10 is a perspective view thereof as seen from the back, top and opposite side;  
 FIG. 11 is a front view thereof;  
 FIG. 12 is a back view thereof;  
 FIG. 13 is a top view thereof;  
 FIG. 14 is a bottom view thereof;  
 FIG. 15 is a opposite side view thereof; and,  
 FIG. 16 is a side view thereof.

The dotted line portions of the drawings represent environmental structure only and form no part of the claimed design.

**1 Claim, 14 Drawing Sheets**



(56)

**References Cited**

U.S. PATENT DOCUMENTS

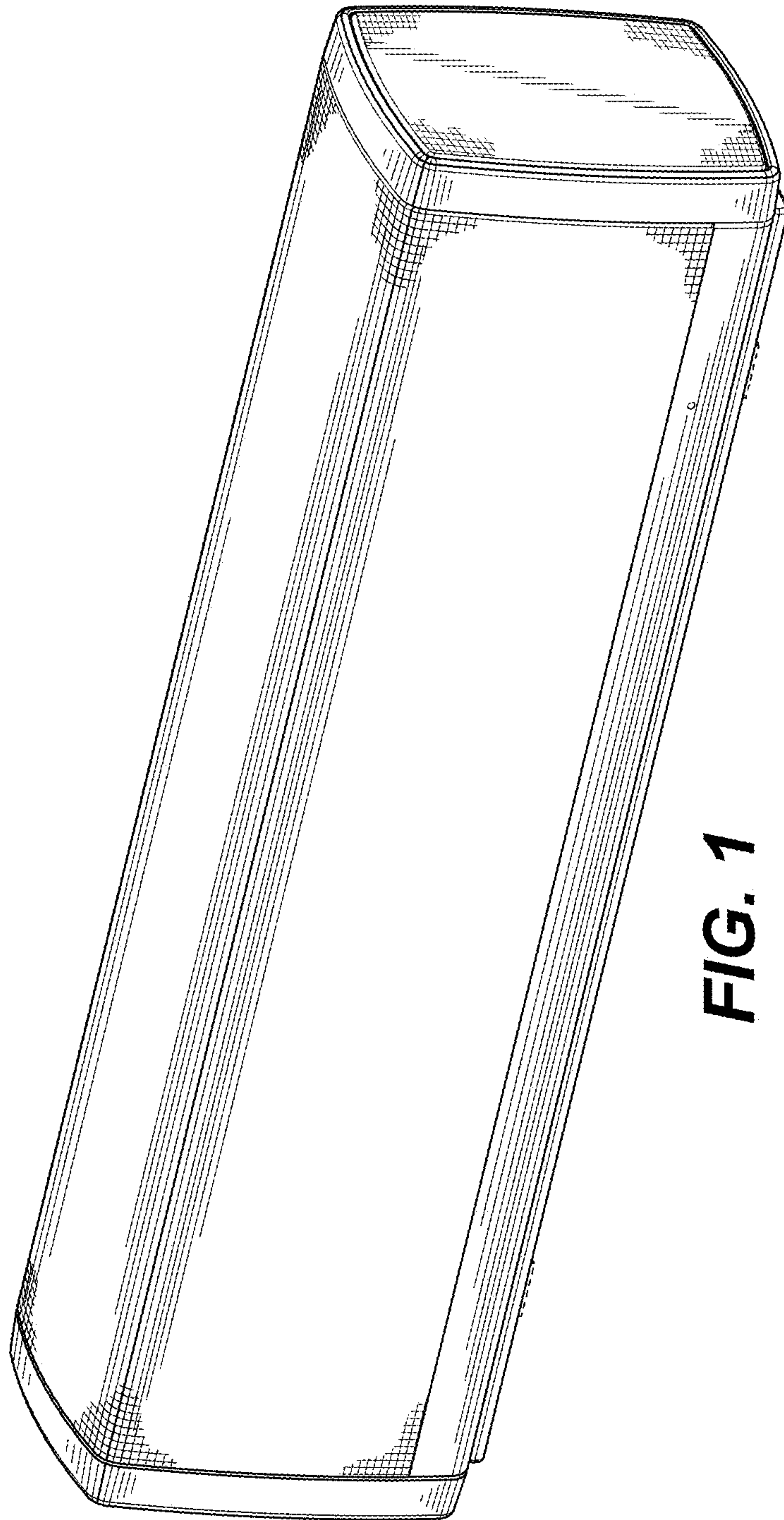
D638,820 S \* 5/2011 Hotta ..... D14/214  
D641,338 S \* 7/2011 Chen ..... D14/209.1  
D655,690 S \* 3/2012 Yagi ..... D14/214  
D669,883 S \* 10/2012 Cheng ..... D14/214  
D670,264 S \* 11/2012 Tsai ..... D14/172  
D672,747 S \* 12/2012 Khoo et al. .... D14/214  
D688,231 S \* 8/2013 Nishii ..... D14/214  
D716,260 S \* 10/2014 Park et al. .... D14/210  
D718,335 S \* 11/2014 Lee et al. .... D14/496  
D719,976 S \* 12/2014 Bang et al. .... D14/496

D723,586 S \* 3/2015 Joo et al. .... D14/496  
D726,153 S \* 4/2015 Chang ..... D14/215  
D726,684 S \* 4/2015 Schmiedbauer ..... D14/210  
D729,768 S \* 5/2015 Park ..... D14/214  
D731,463 S \* 6/2015 Ho ..... D14/214  
D738,853 S \* 9/2015 Savage ..... D14/214  
2012/0300962 A1\* 11/2012 Devoto ..... 381/300

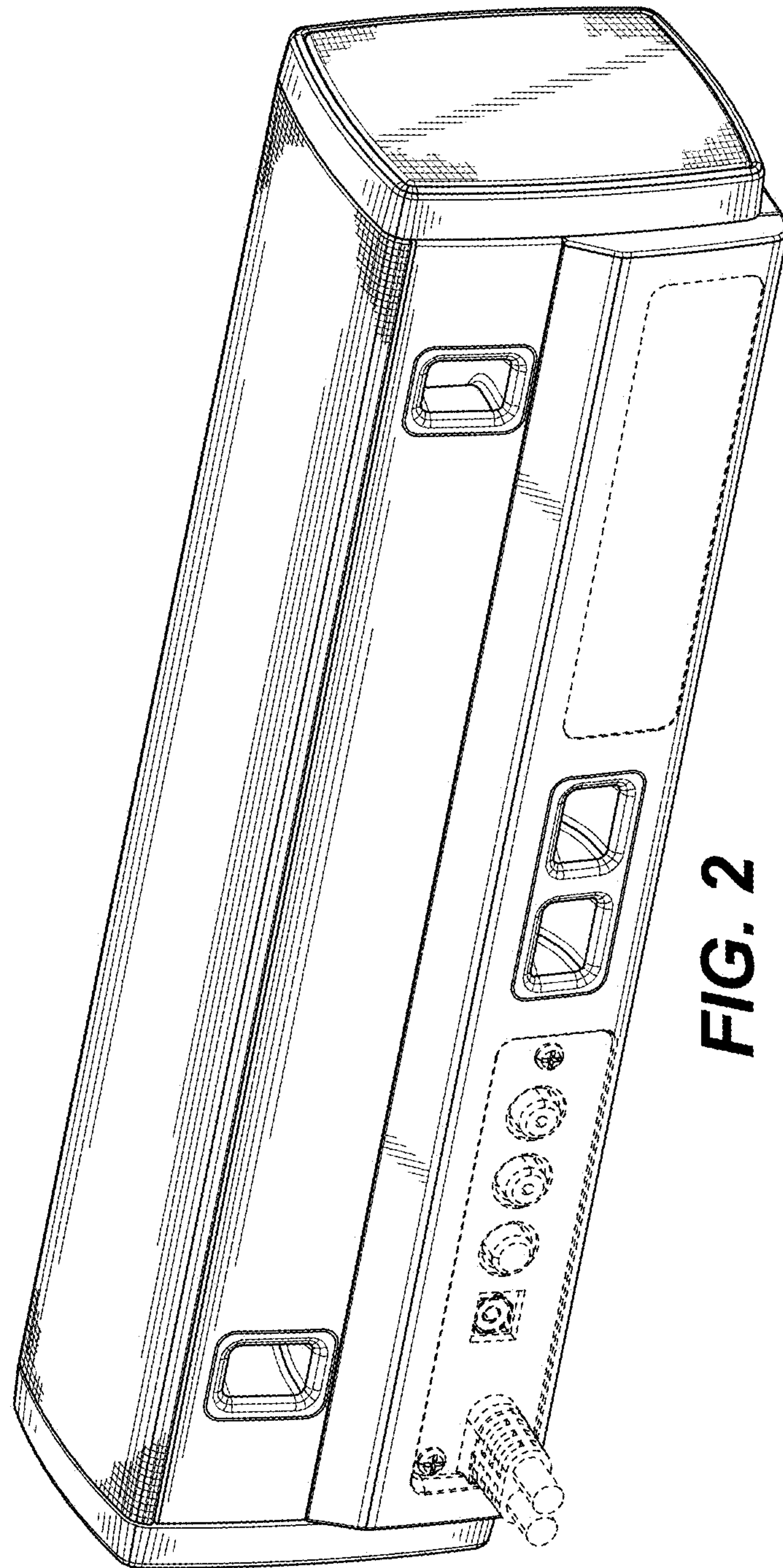
OTHER PUBLICATIONS

Onkyo Speaker Box LS-B50(B)shown in a catalog published May 21, 2014.

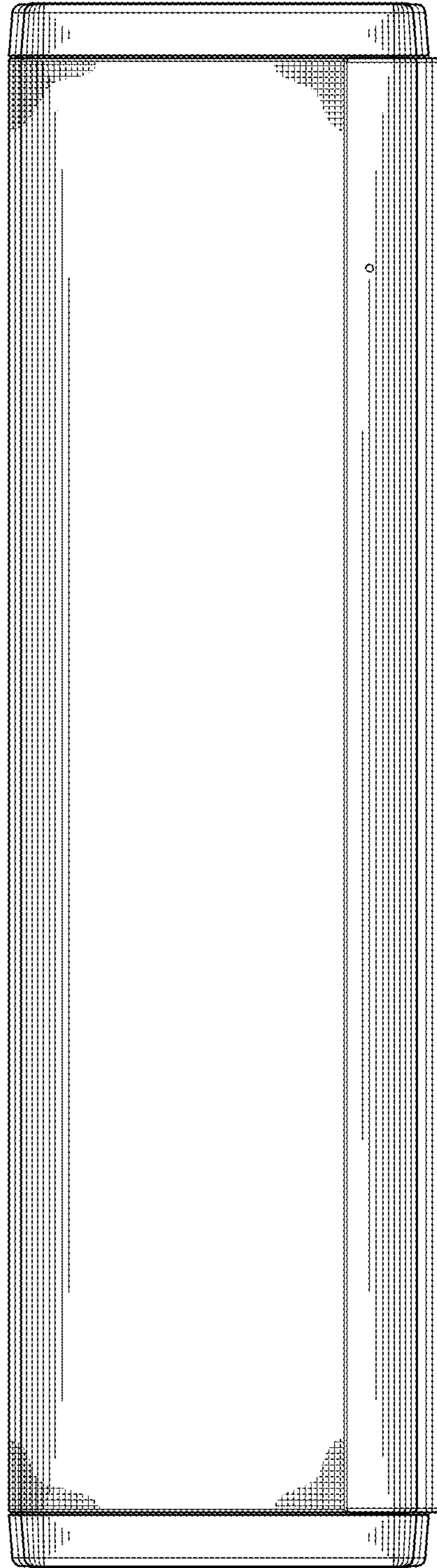
\* cited by examiner



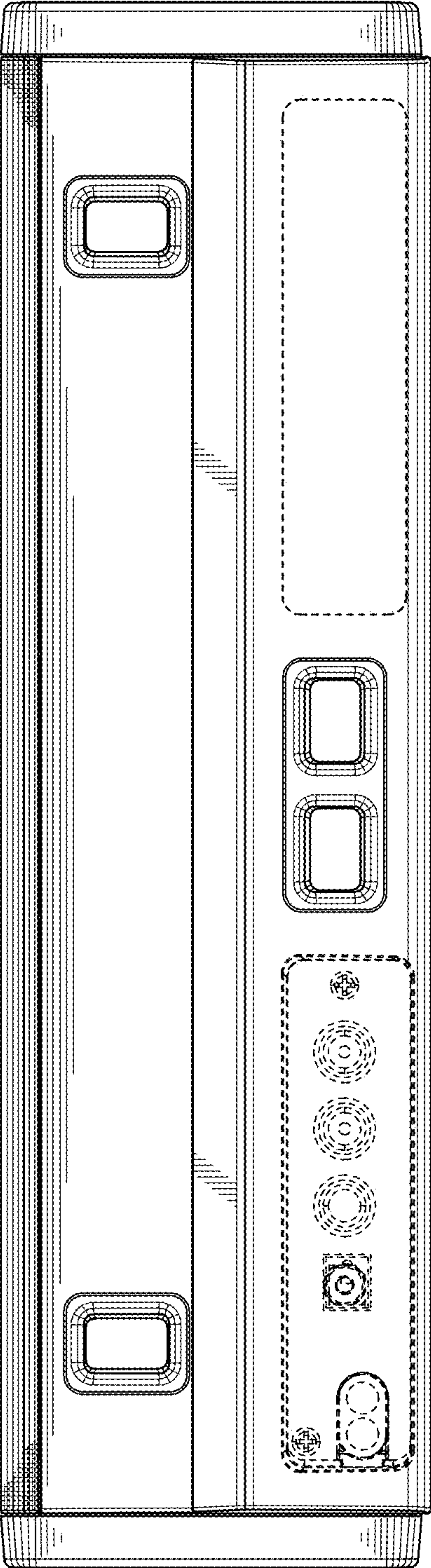




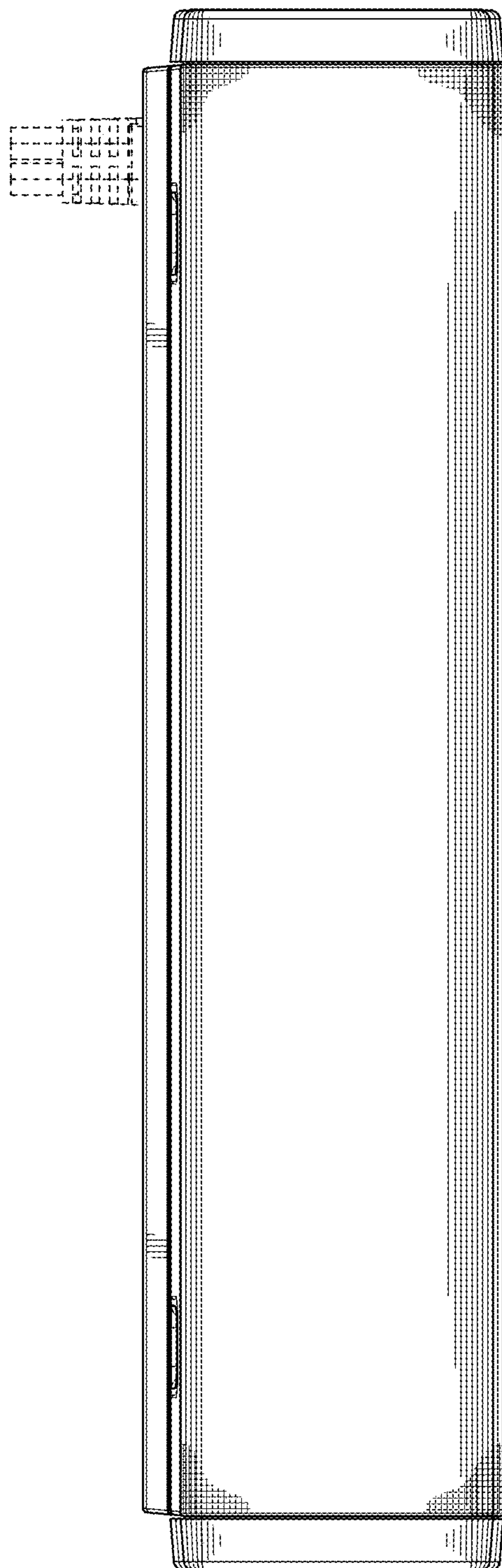
**FIG. 2**



**FIG. 3**

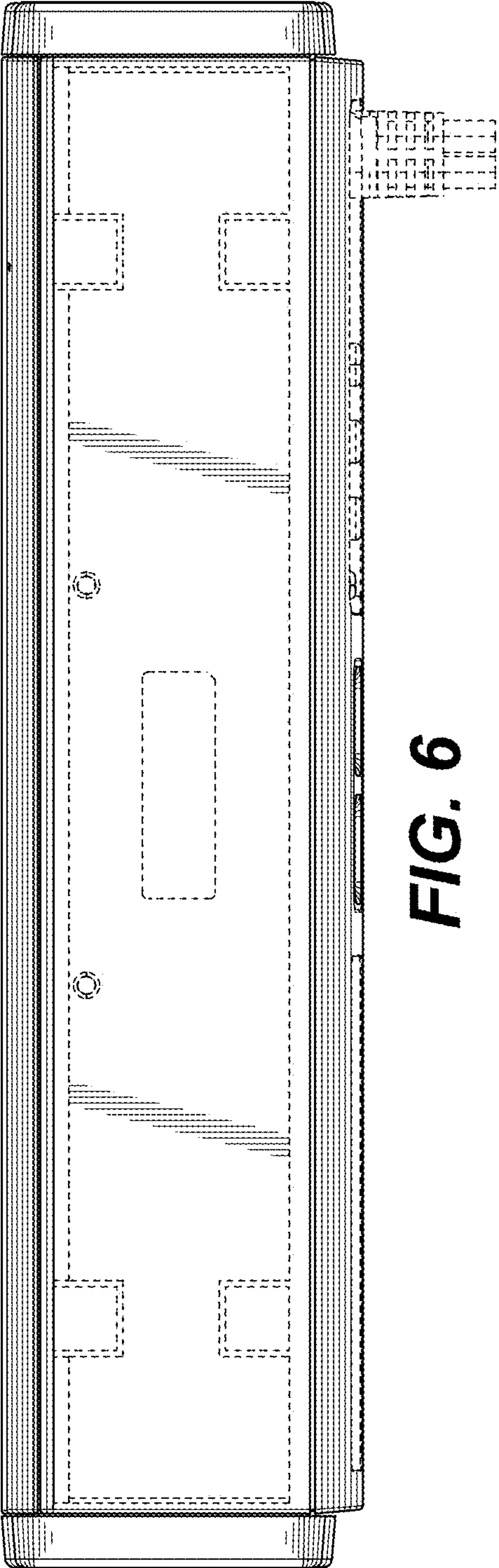


**FIG. 4**



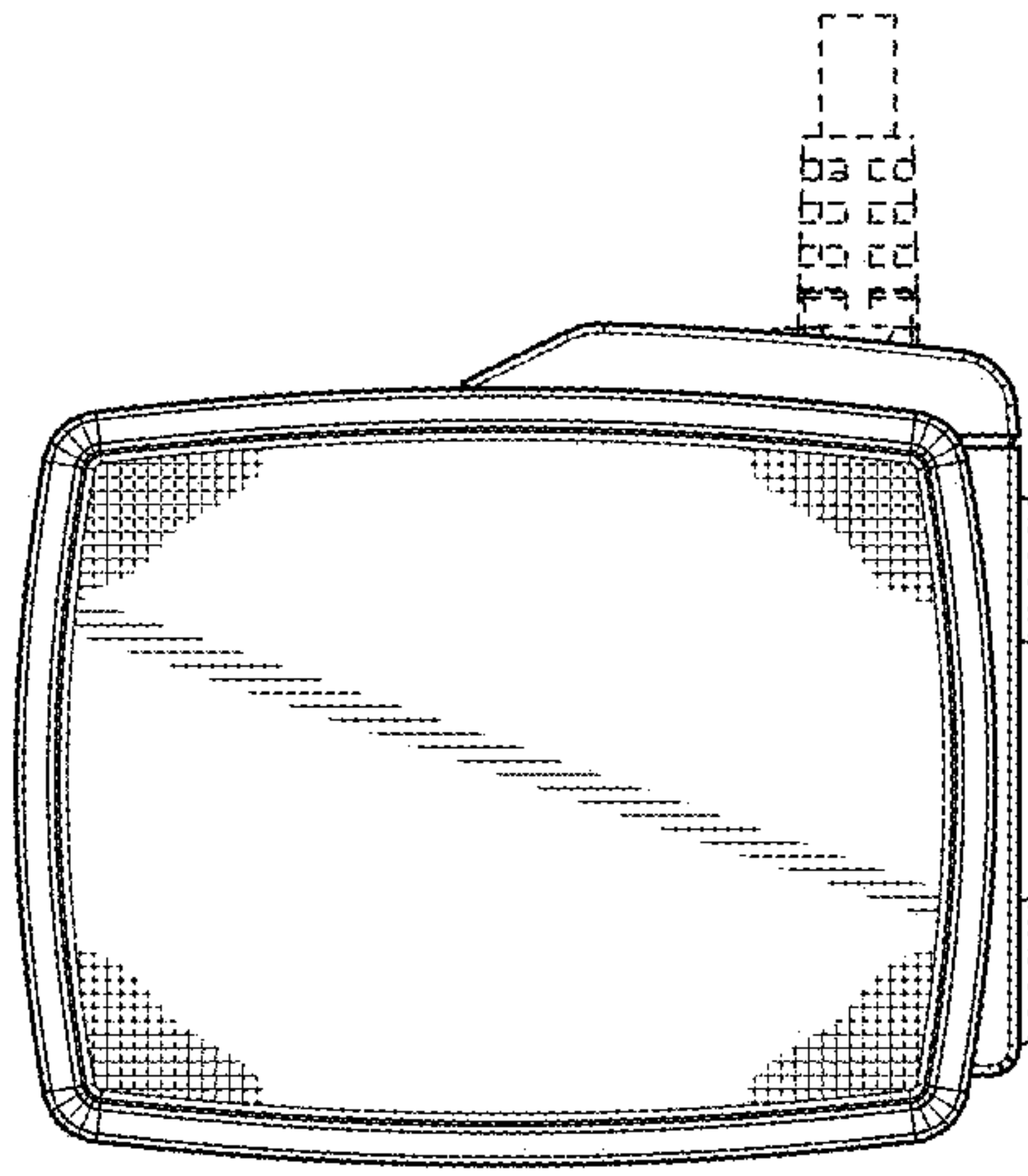
**FIG. 5**



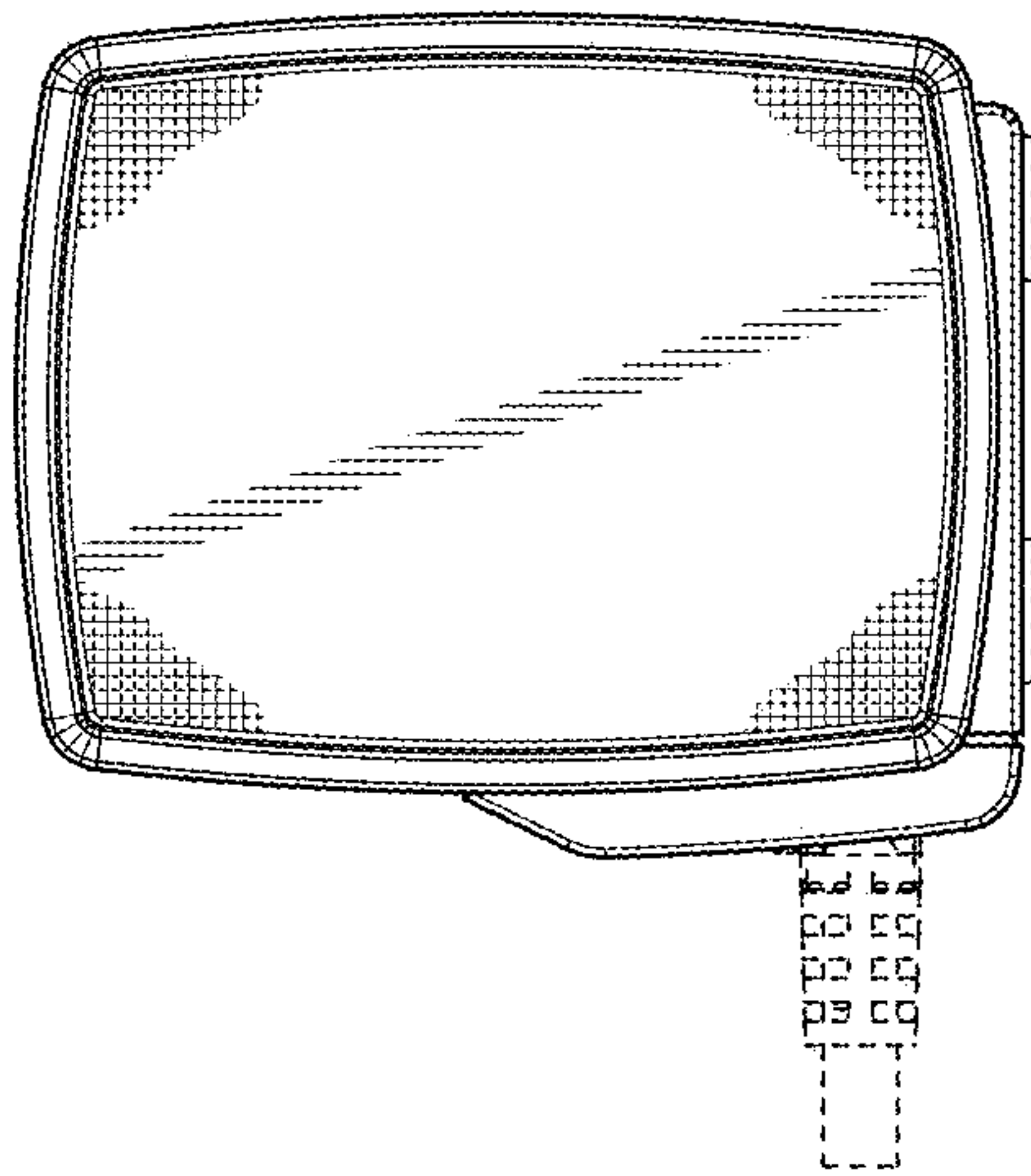


**FIG. 6**

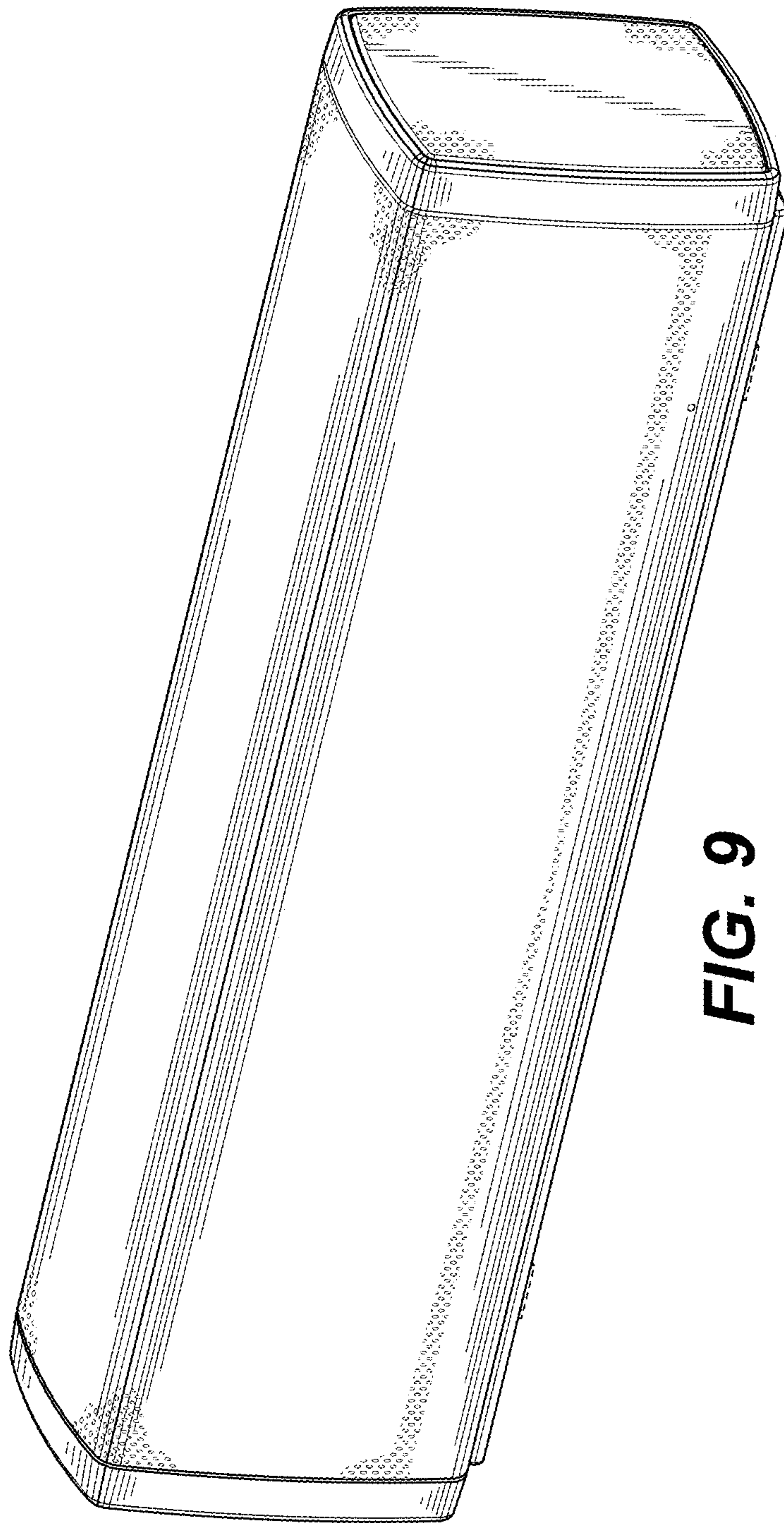




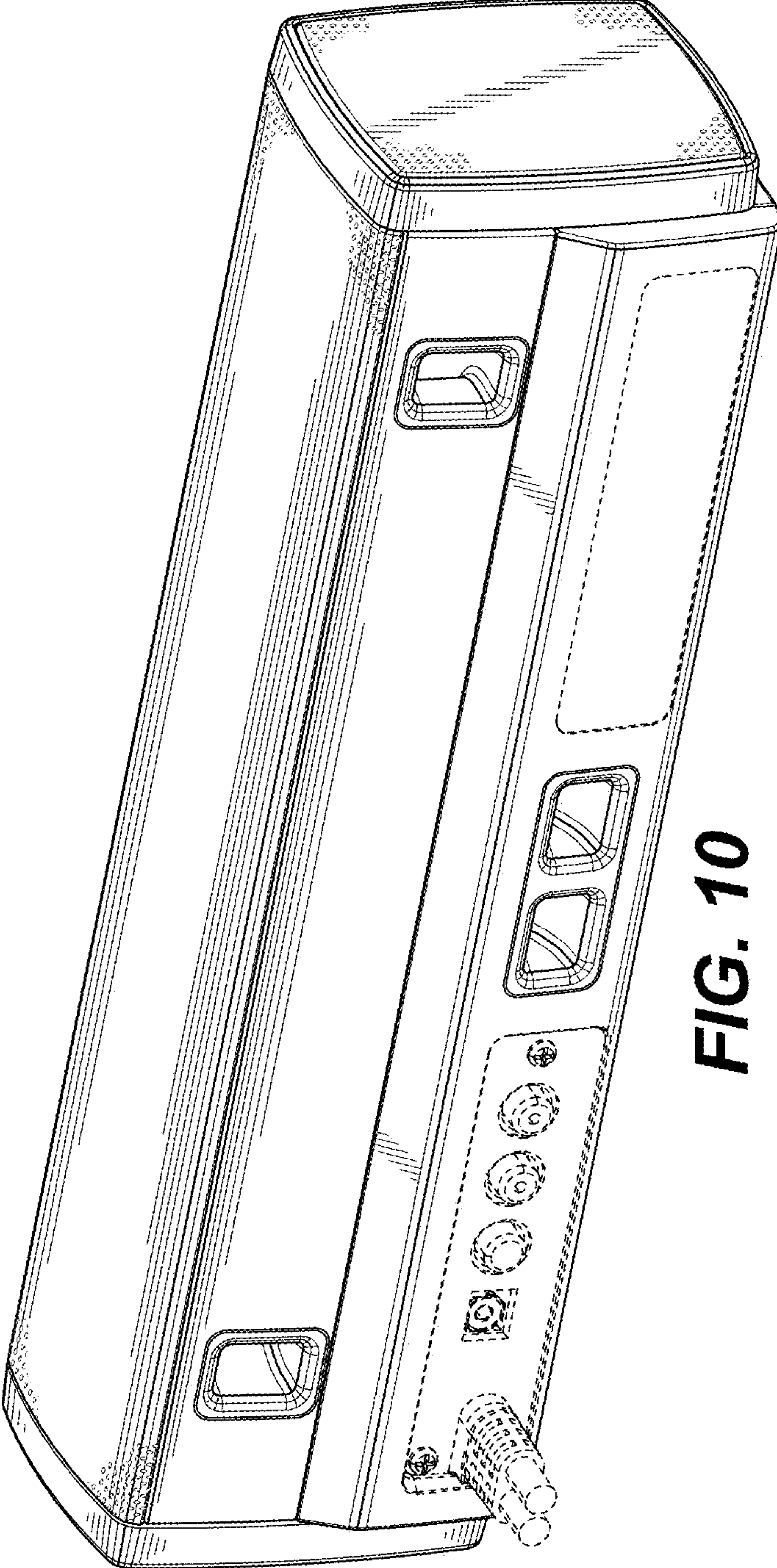
**FIG. 8**



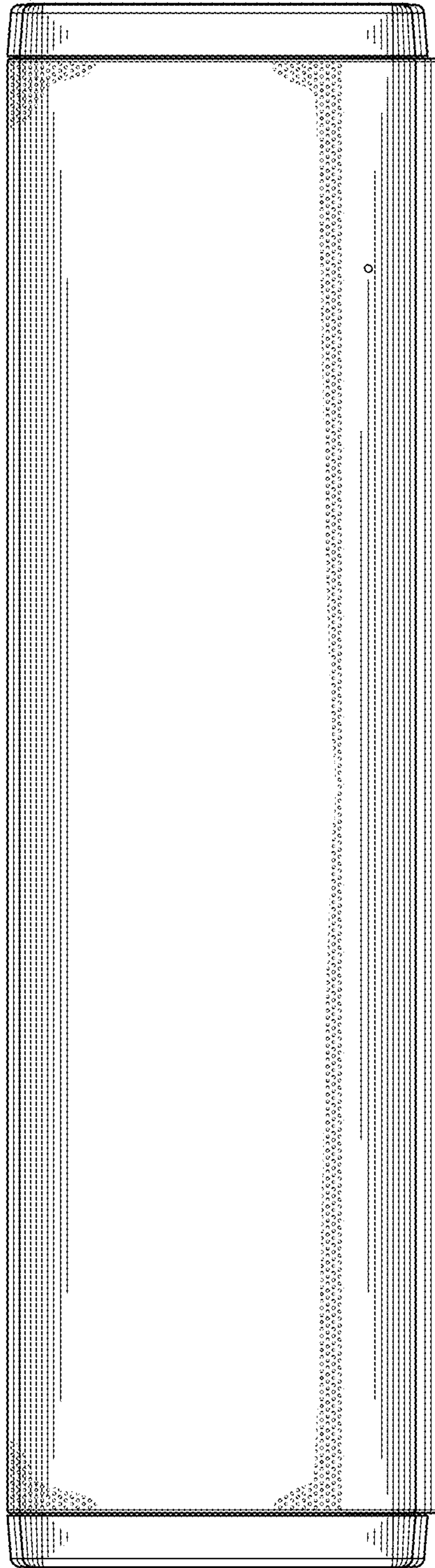
**FIG. 7**



**FIG. 9**

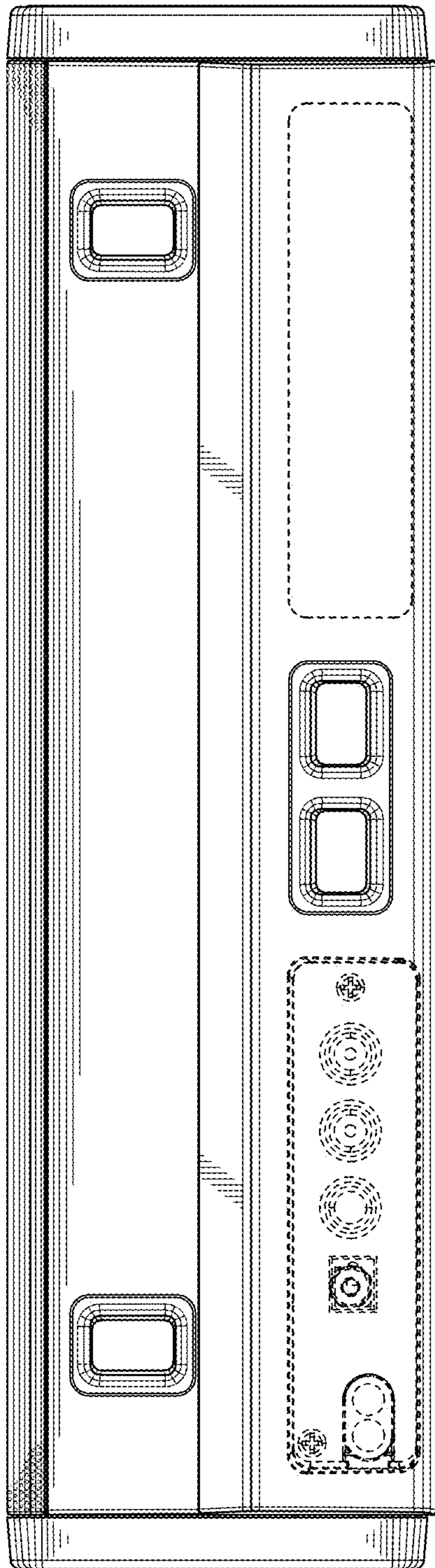


**FIG. 10**

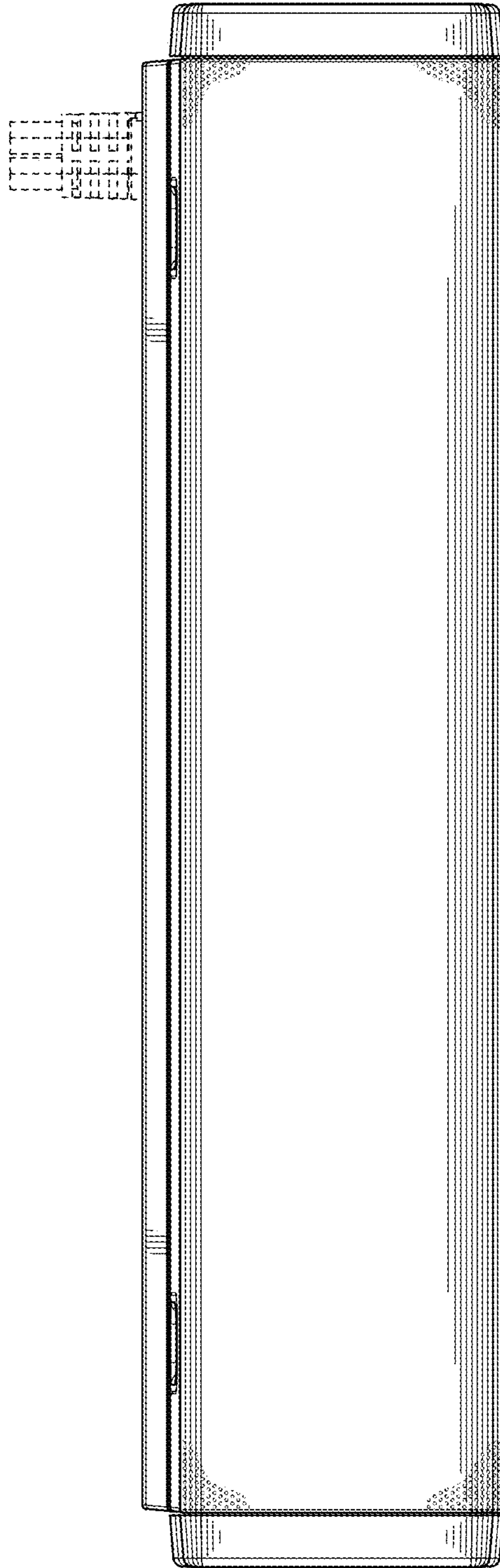


**FIG. 11**

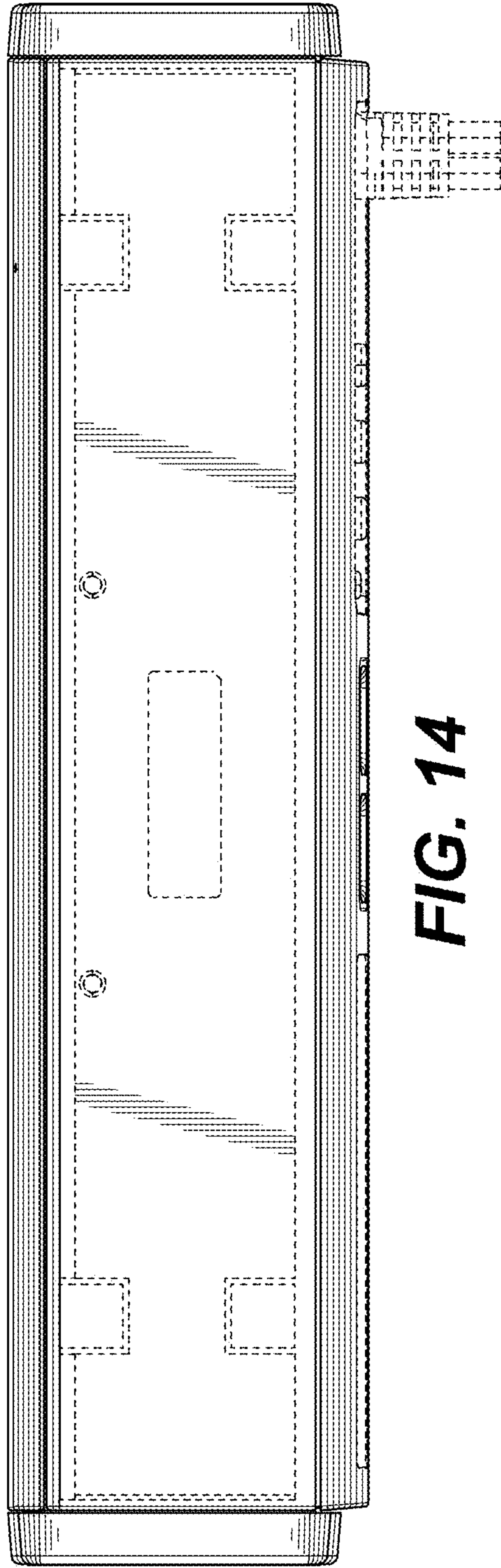




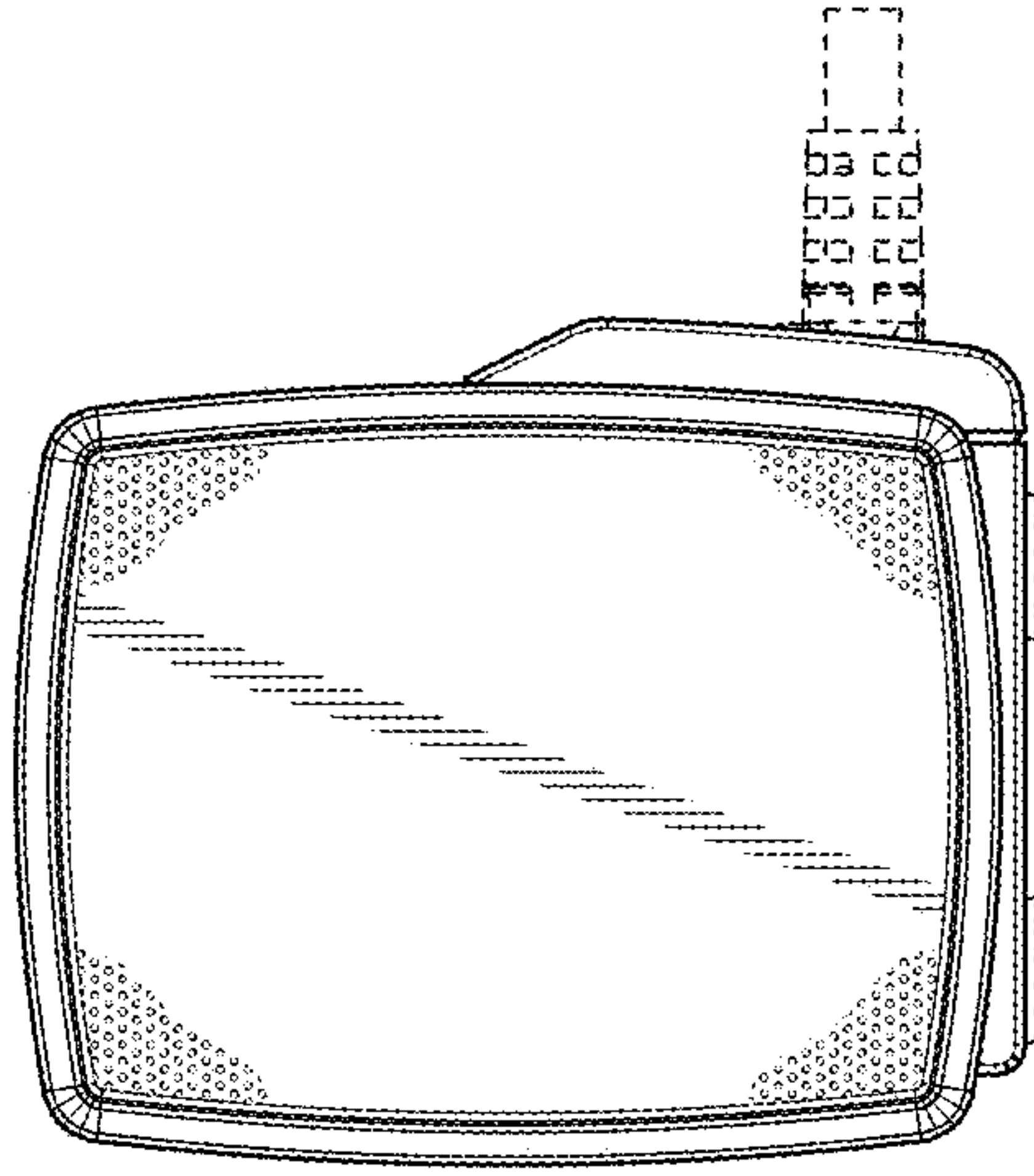
**FIG. 12**



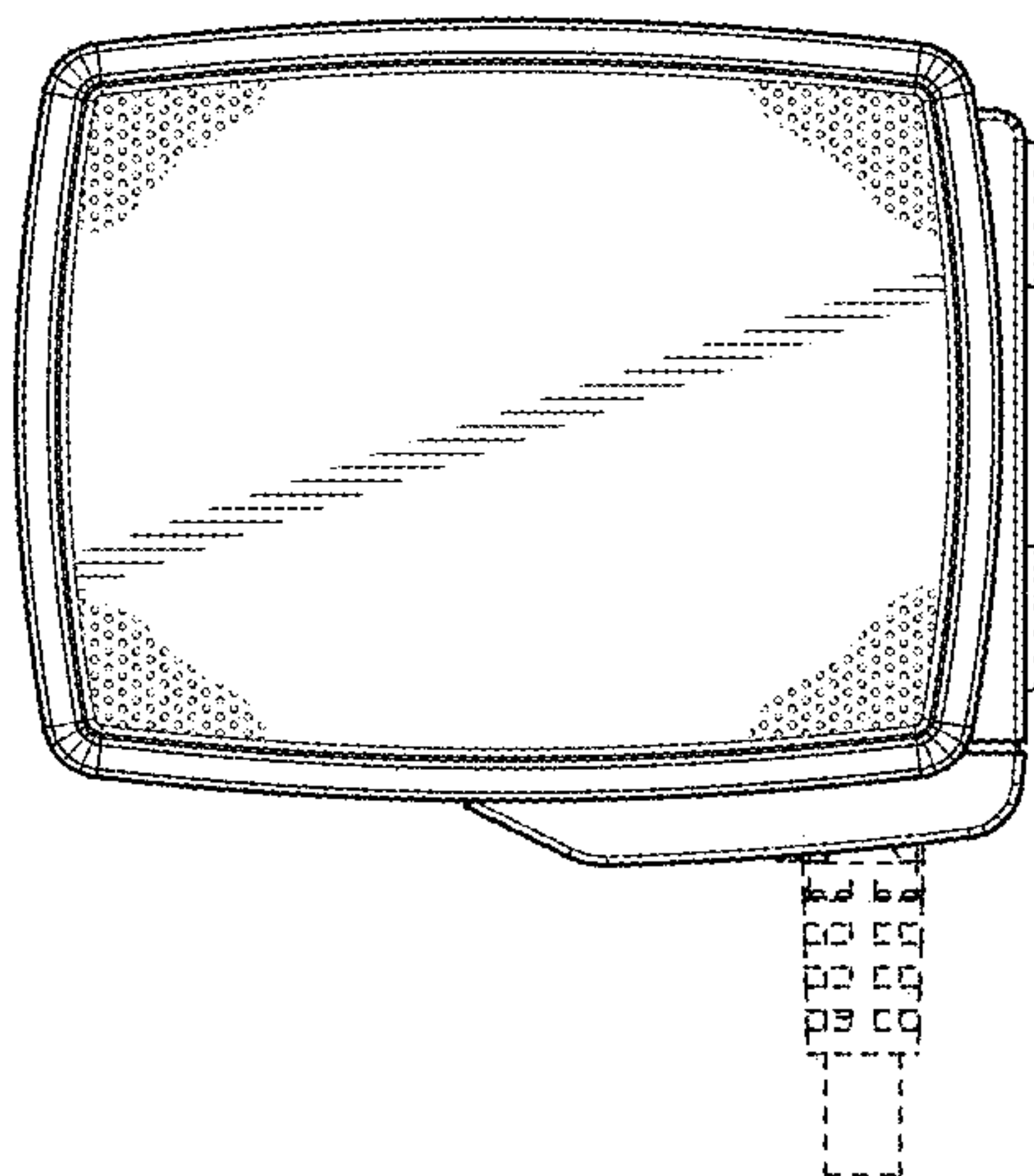
**FIG. 13**



**FIG. 14**



**FIG. 16**



**FIG. 15**