



US00D749055S

(12) **United States Design Patent**
Lee et al.

(10) **Patent No.:** **US D749,055 S**
(45) **Date of Patent:** **** Feb. 9, 2016**

(54) **PORTABLE SPEAKER**

(56) **References Cited**

(71) Applicant: **Samsung Electronics Co., Ltd.**,
Suwon-si, Gyeonggi-do (KR)

(72) Inventors: **Seung-Chan Lee**, Seoul (KR);
Sang-Min Hyun, Seoul (KR)

(73) Assignee: **SAMSUNG ELECTRONICS CO., LTD.** (KR)

(**) Term: **14 Years**

(21) Appl. No.: **29/478,242**

(22) Filed: **Jan. 2, 2014**

(30) **Foreign Application Priority Data**

Jul. 3, 2013 (KR) 30-2013-0034170

(51) **LOC (10) Cl.** **14-01**

(52) **U.S. Cl.**
USPC **D14/204**

(58) **Field of Classification Search**
USPC D14/133, 168, 171, 172, 204, 210, 214,
D14/221, 265, 358, 500-504; 181/144, 145,
181/198, 199; 369/75.11, 76; 381/300,
381/332-336, 345; 455/344, 350
CPC H04B 1/08; H04B 1/086; H04B 1/3883;
H04B 1/3888; H04R 7/00

See application file for complete search history.

U.S. PATENT DOCUMENTS

D499,087	S	*	11/2004	Peng et al.	D14/240
D538,783	S	*	3/2007	Lee	D14/188
D547,329	S	*	7/2007	Aoki	D14/496
D566,668	S	*	4/2008	Whittaker et al.	D14/125
D587,265	S	*	2/2009	Maiers et al.	D14/480.6
D625,722	S	*	10/2010	Park	D14/365
D636,757	S	*	4/2011	Yoshiizumi	D14/214
2012/0275287	A1	*	11/2012	McGuire et al.	369/75.11

FOREIGN PATENT DOCUMENTS

GB 4022088 * 12/2011

* cited by examiner

Primary Examiner — Derrick Holland

Assistant Examiner — Janice Lim

(74) *Attorney, Agent, or Firm* — Cantor Colburn LLP

(57) **CLAIM**

The ornamental design for a portable speaker, as shown and described.

DESCRIPTION

FIG. 1 is a perspective view of a portable speaker, showing our new design;

FIG. 2 is a front view thereof;

FIG. 3 is a rear view thereof;

FIG. 4 is a side view thereof;

FIG. 5 is an opposite side view thereof;

FIG. 6 is a top plan view thereof; and,

FIG. 7 is a bottom plan view thereof.

The broken line portions of FIGS. 1, 4 and 6 are included to show unclaimed subject matter only and form no part of the claimed design.

1 Claim, 5 Drawing Sheets

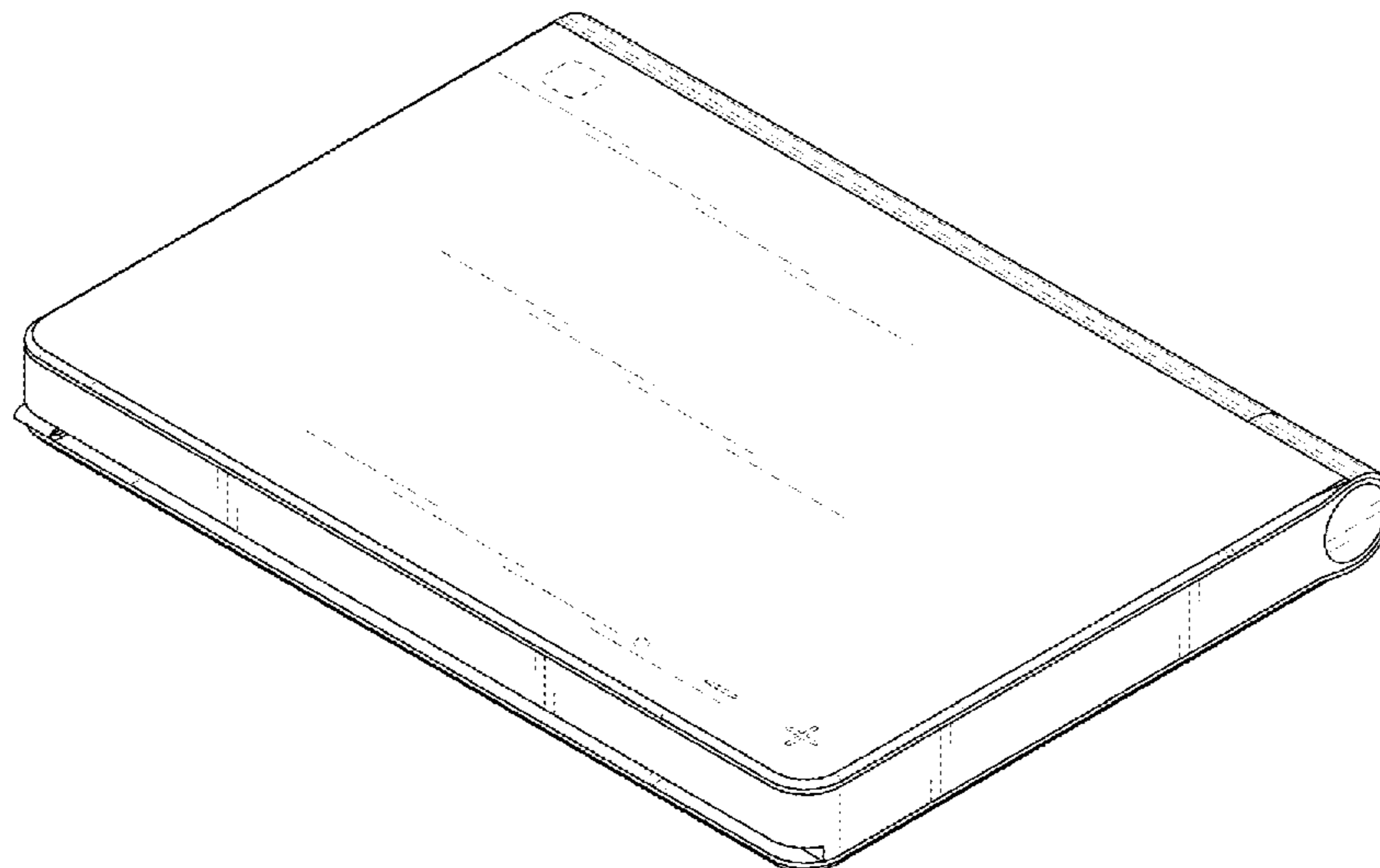


FIG. 1

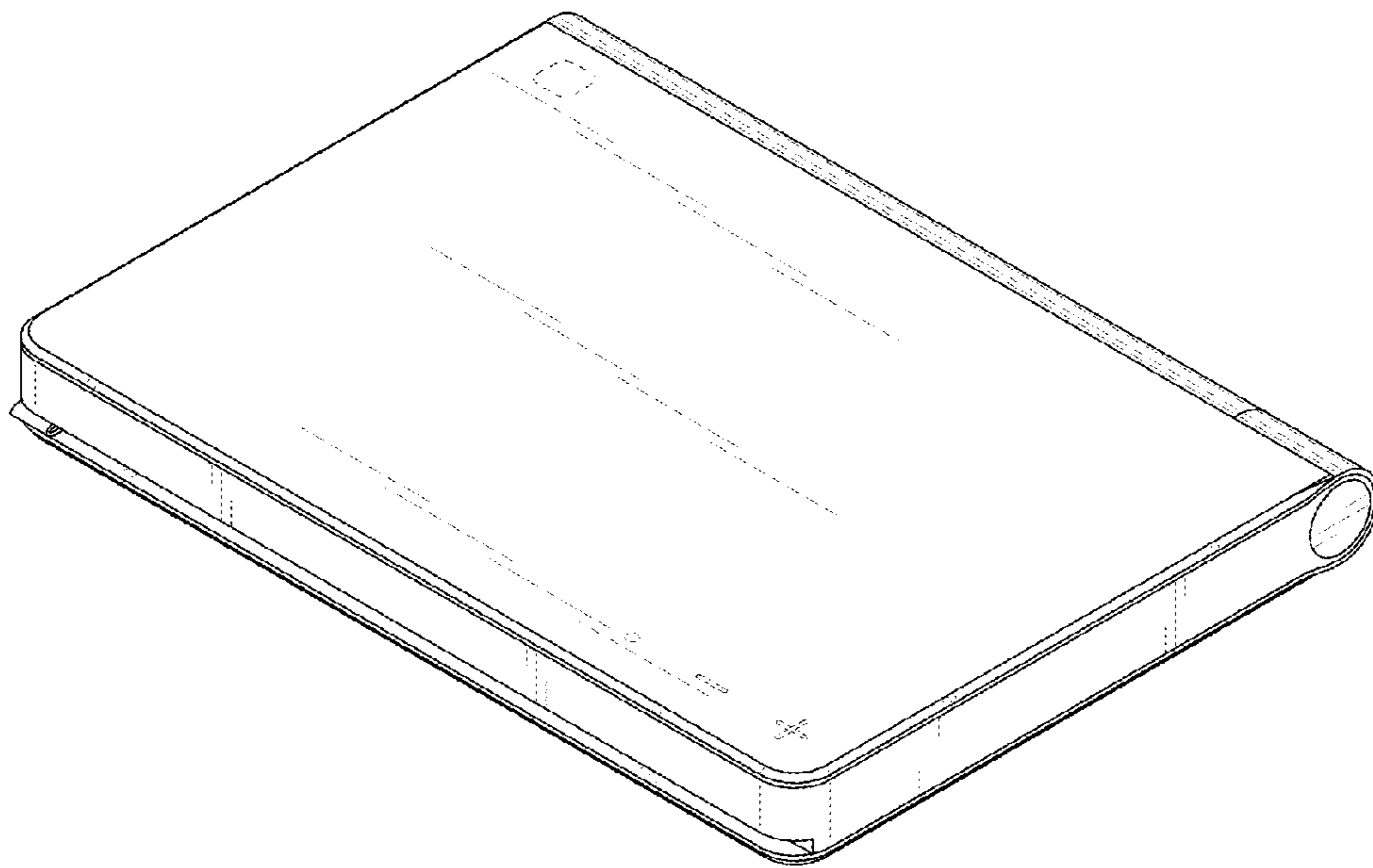


FIG. 2

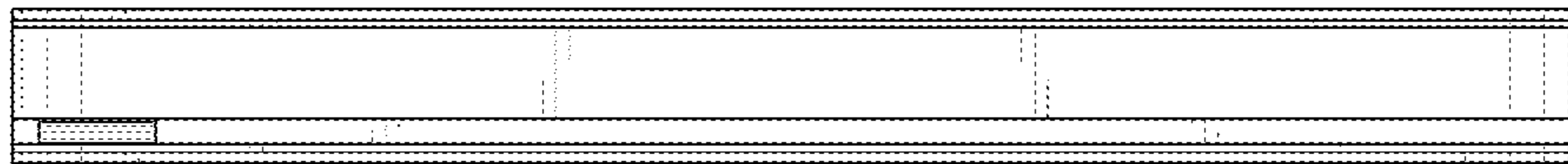


FIG. 3

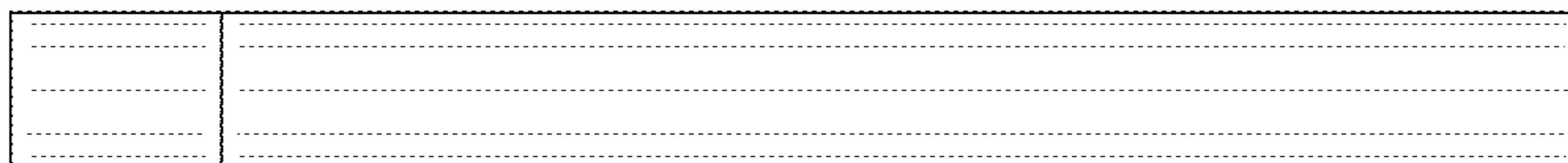


FIG. 4



FIG. 5

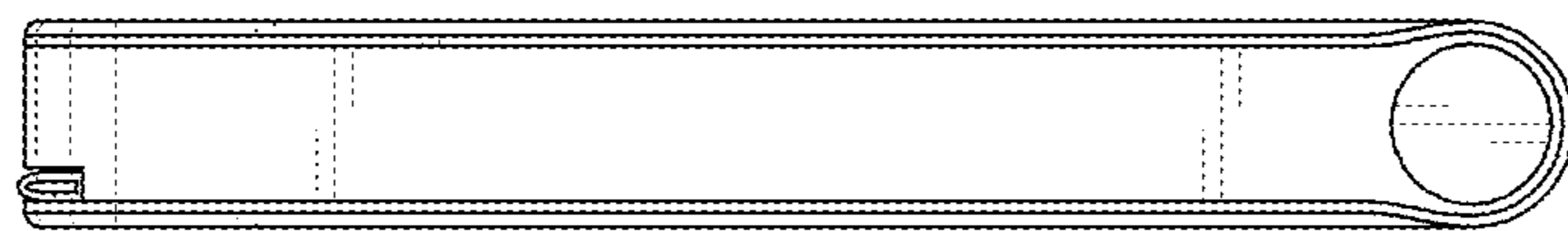


FIG. 6

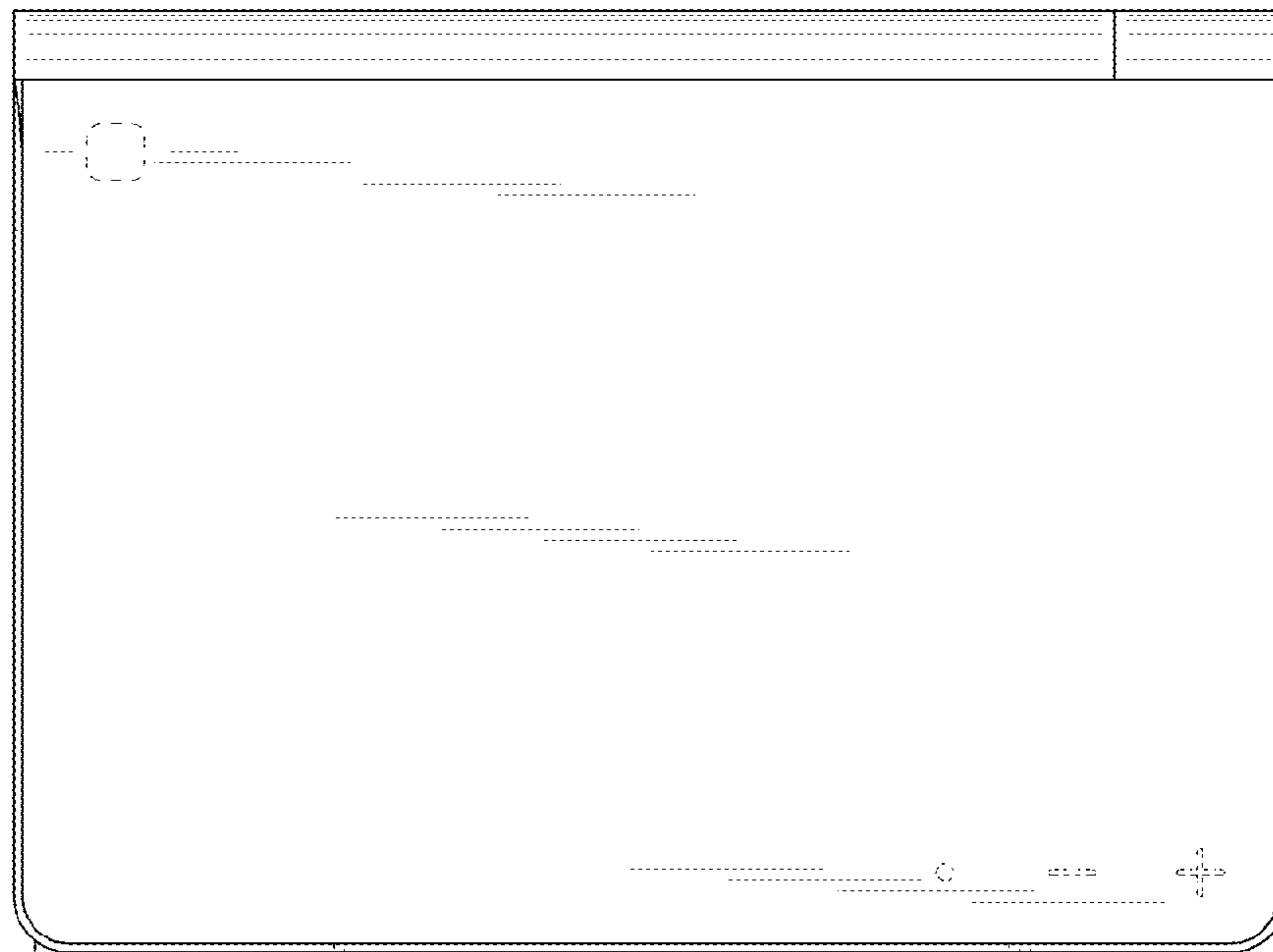


FIG. 7

