



US00D749054S

(12) **United States Design Patent**  
**Kim et al.**

(10) **Patent No.:** **US D749,054 S**

(45) **Date of Patent:** **\*\* Feb. 9, 2016**

(54) **CELLULAR PHONE**

(71) Applicant: **LG ELECTRONICS INC.**, Seoul (KR)

(72) Inventors: **Hyon Kim**, Seoul (KR); **JiYoun Cha**, Seoul (KR)

(73) Assignee: **LG Electronics Inc.**, Seoul (KR)

(\*\*) Term: **14 Years**

(21) Appl. No.: **29/498,086**

(22) Filed: **Jul. 31, 2014**

(30) **Foreign Application Priority Data**

Feb. 3, 2014 (KR) ..... 30-2014-0005378

(51) **LOC (10) Cl.** ..... **14-03**

(52) **U.S. Cl.**  
USPC ..... **D14/138 G**

(58) **Field of Classification Search**  
USPC ..... D14/138 G, 138 AD, 341, 346, 345,  
D14/138 R, 496, 203.1, 203.3, 203.5, 203.7,  
D14/248, 218, 250; 455/575.1, 556.2,  
455/575.3, 575.4; D21/517, 329;  
379/433.01, 433.04; D10/65, 78;  
361/679.3, 679.56; D13/168

CPC ..... G06F 1/1626; H04M 1/72527; H04M  
1/0266; H04M 1/185; H04M 1/0202-1/035  
See application file for complete search history.

(56) **References Cited**

**U.S. PATENT DOCUMENTS**

D589,924 S \* 4/2009 Jung ..... D14/138 AD  
D676,400 S \* 2/2013 Kitamura ..... D14/138 G  
D687,405 S \* 8/2013 Takei ..... D14/138 G  
D687,795 S \* 8/2013 Kim ..... D14/138 AD  
D696,221 S \* 12/2013 Lee ..... D14/138 G  
D699,206 S \* 2/2014 Kim ..... D14/138 G  
D699,207 S \* 2/2014 Kim ..... D14/138 G  
D707,649 S \* 6/2014 Choi ..... D14/138 G

D720,319 S \* 12/2014 Park ..... D14/138 G  
D723,493 S \* 3/2015 Weng ..... D14/138 G  
D723,496 S \* 3/2015 Ryu ..... D14/138 G  
D725,067 S \* 3/2015 Kim ..... D14/138 G  
D729,191 S \* 5/2015 Chung ..... D14/138 G  
D729,192 S \* 5/2015 Chang ..... D14/138 G  
D729,756 S \* 5/2015 Liu ..... D14/138 G  
D730,861 S \* 6/2015 Ryu ..... D14/138 G  
D732,500 S \* 6/2015 Choe ..... D14/138 G  
D738,841 S \* 9/2015 Kim ..... D14/138 G  
D739,369 S \* 9/2015 Seo ..... D14/138 G  
D741,280 S \* 10/2015 Lee ..... D14/138 G

(Continued)

**OTHER PUBLICATIONS**

LG Lancet, posted May 15, 2015, [online], [site visited Nov. 6, 2015].  
Available from Internet, <URL: [http://www.phonearena.com/phones/LG-Lancet\\_id9401](http://www.phonearena.com/phones/LG-Lancet_id9401)>.\*

(Continued)

*Primary Examiner* — Jeffrey D Asch

(74) *Attorney, Agent, or Firm* — Morgan, Lewis & Bockius LLP

(57) **CLAIM**

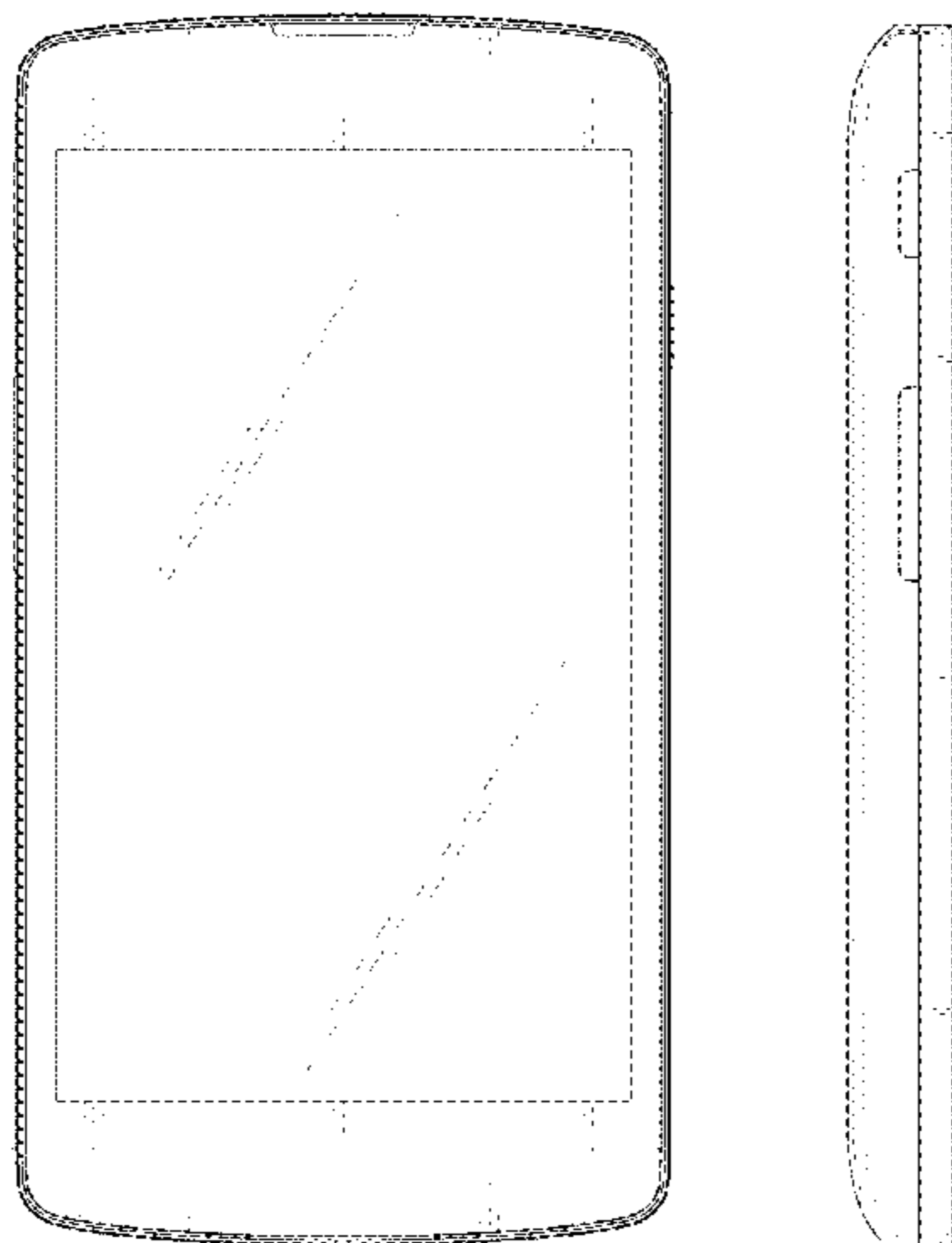
The ornamental design for a cellular phone, as shown and described.

**DESCRIPTION**

FIG. 1 is a front, right side, perspective view of a cellular phone showing our new design;  
FIG. 2 is a front view thereof;  
FIG. 3 is a rear view thereof;  
FIG. 4 is a left side view thereof;  
FIG. 5 is a right side view thereof;  
FIG. 6 is a top view thereof; and,  
FIG. 7 is a bottom view thereof.

The broken lines shown in the figures that are immediately adjacent to the shaded areas and define unshaded and uninterrupted regions represent the bounds of the claim. The broken lines form no part of the claimed design.

**1 Claim, 6 Drawing Sheets**



(56)

**References Cited**

U.S. PATENT DOCUMENTS

2015/0055293 A1\* 2/2015 Shiraishi ..... H04M 1/0266  
361/679.56  
2015/0109170 A1\* 4/2015 Kang ..... G06F 1/182  
343/702

OTHER PUBLICATIONS

LG Transpyre, posted Nov. 24, 2014, [online], [site visited Nov. 6, 2015]. Available from Internet, <URL: [http://www.phonearena.com/phones/LG-Transpyre\\_id8992](http://www.phonearena.com/phones/LG-Transpyre_id8992)>.\*  
LG G4c, posted May 19, 2015, [online], [site visited Nov. 6, 2015]. Available from Internet, <URL: [http://www.phonearena.com/phones/LG-G4c\\_id9445](http://www.phonearena.com/phones/LG-G4c_id9445)>.\*  
LG Tribute, posted Oct. 7, 2014, [online], [site visited Nov. 6, 2015]. Available from Internet, <URL: [http://www.phonearena.com/phones/LG-TRIBUTE\\_id8951](http://www.phonearena.com/phones/LG-TRIBUTE_id8951)>.\*

LG F60, released Oct. 2014, [online], [site visited Mar. 28, 2015]. Available from Internet, <URL: [http://www.gsmarena.com/lg\\_f60-6709.php](http://www.gsmarena.com/lg_f60-6709.php)>.\*

LG Nexus 5, released Nov. 2013, [online], [site visited Mar. 28, 2015]. Available from Internet, <URL: [http://www.gsmarena.com/lg\\_nexus\\_5-5705.php](http://www.gsmarena.com/lg_nexus_5-5705.php)>.\*

Oppo R1001 Joy, released May 2014, [online], [site visited Mar. 28, 2015]. Available from Internet, <URL: [http://www.gsmarena.com/oppo\\_r1001\\_joy-6702.php](http://www.gsmarena.com/oppo_r1001_joy-6702.php)>.\*

LG L90 D405, released Mar. 2014, [online], [site visited Mar. 28, 2015]. Available from Internet, <URL: [http://www.gsmarena.com/lg\\_190\\_d405-6100.php](http://www.gsmarena.com/lg_190_d405-6100.php)>.\*

Archos 45 Platinum, released 2013, [online], [site visited Mar. 28, 2015]. Available from Internet, <URL: [http://www.gsmarena.com/archos\\_45\\_platinum-6060.php](http://www.gsmarena.com/archos_45_platinum-6060.php)>.\*

LG L Fino, released Sep. 2014, [online], [site visited Mar. 28, 2015]. Available from Internet, <URL: [http://www.gsmarena.com/lg\\_l\\_fino-6592.php](http://www.gsmarena.com/lg_l_fino-6592.php)>.\*

\* cited by examiner

FIG. 1

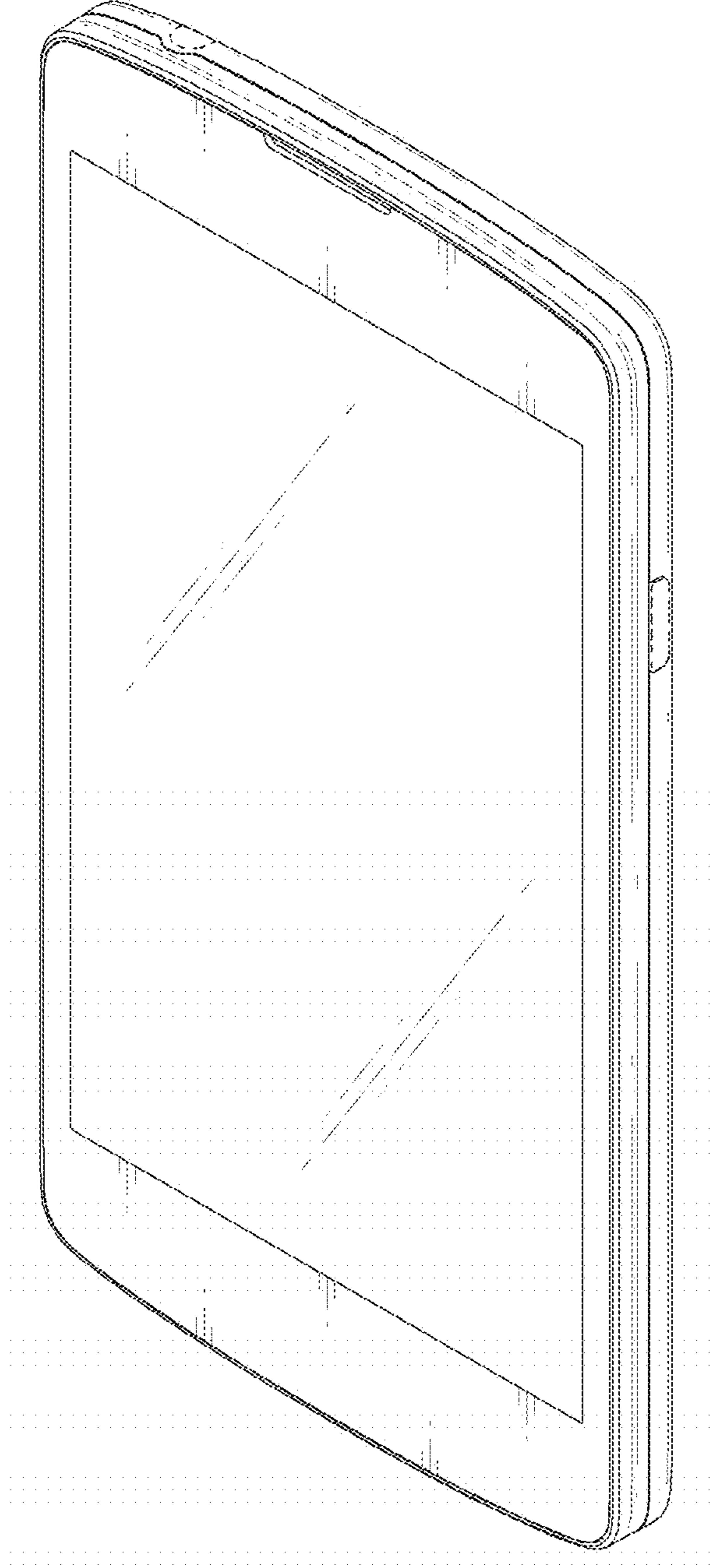


FIG. 2

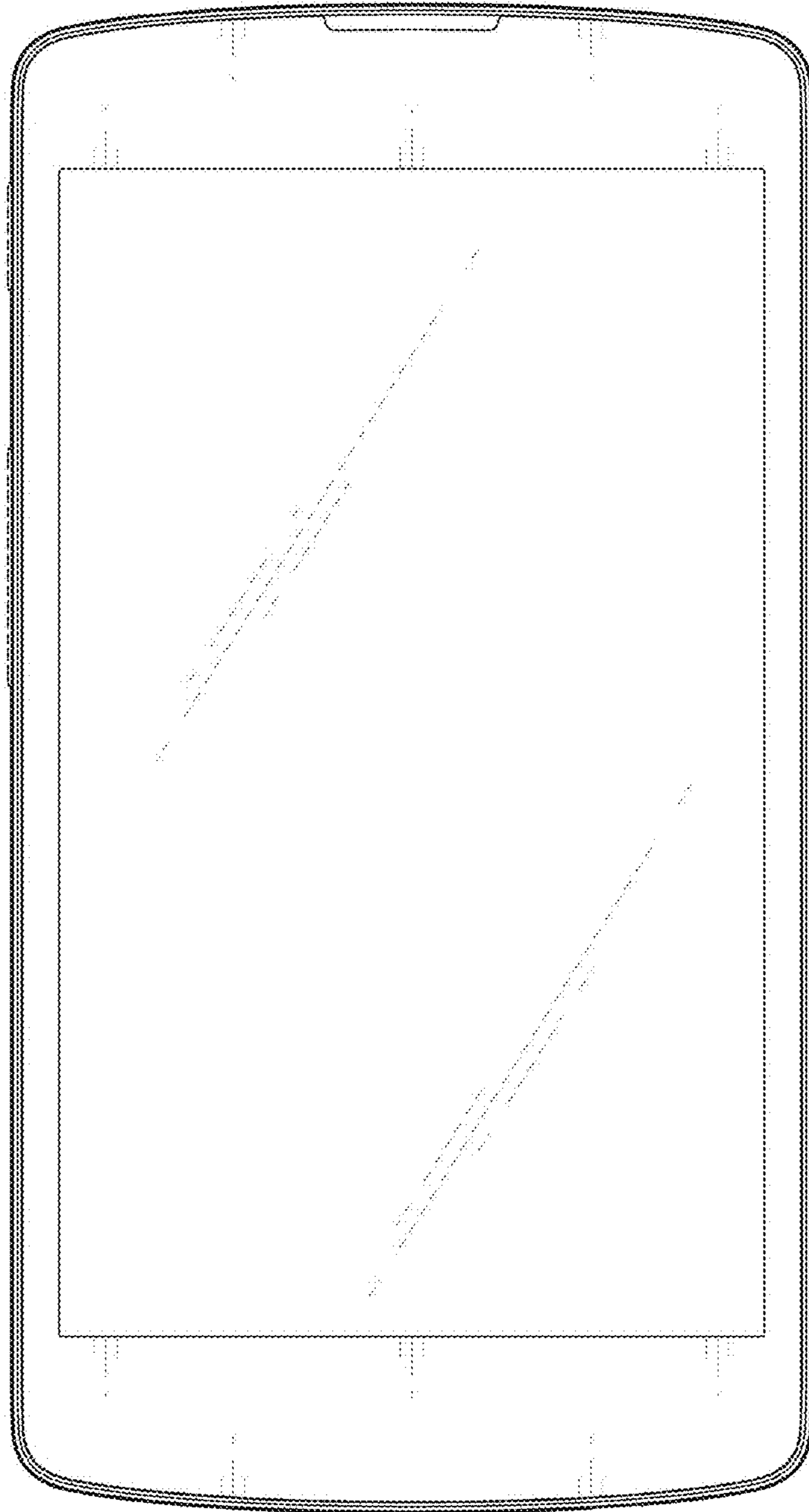


FIG. 3

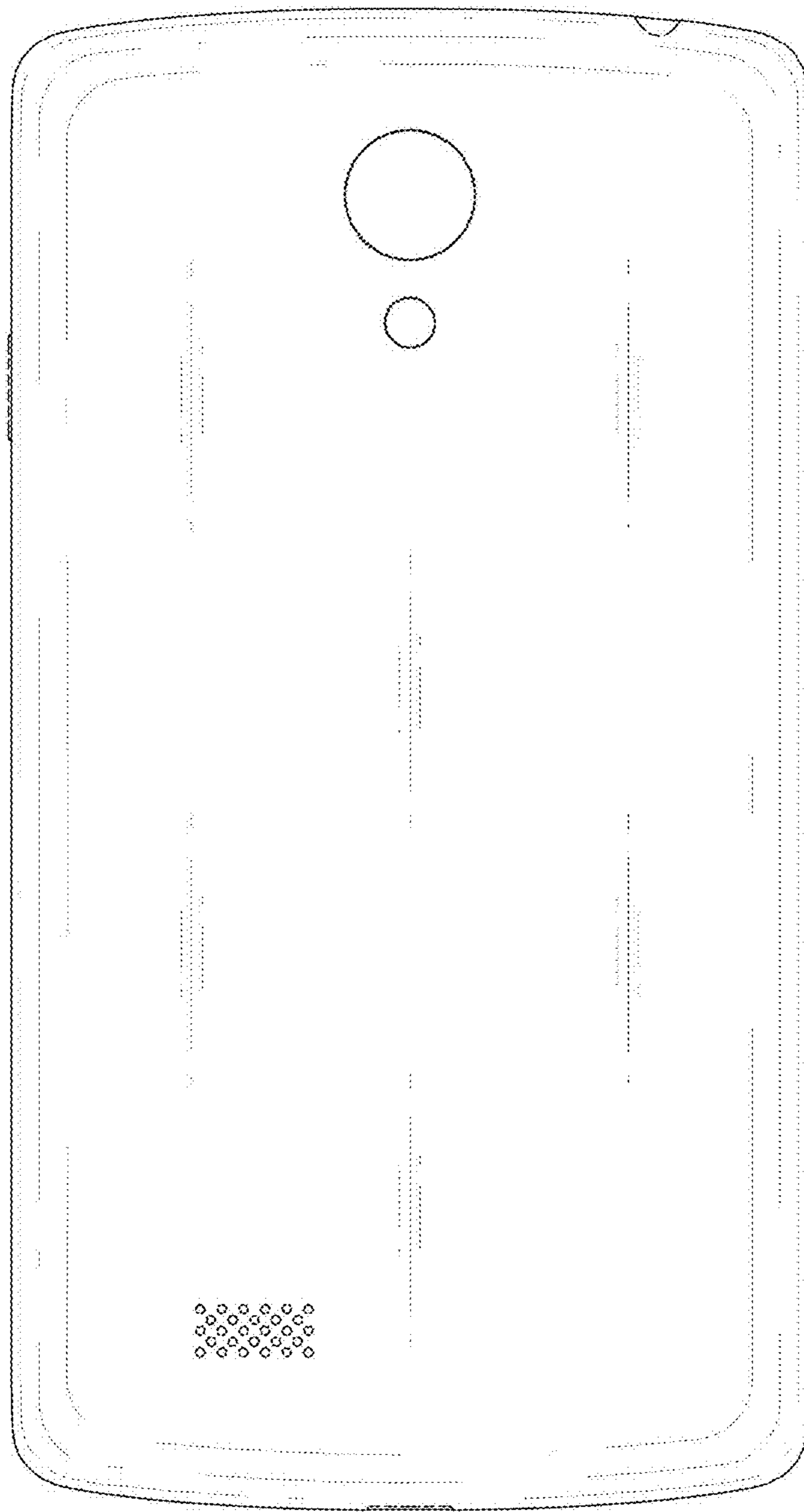


FIG. 4

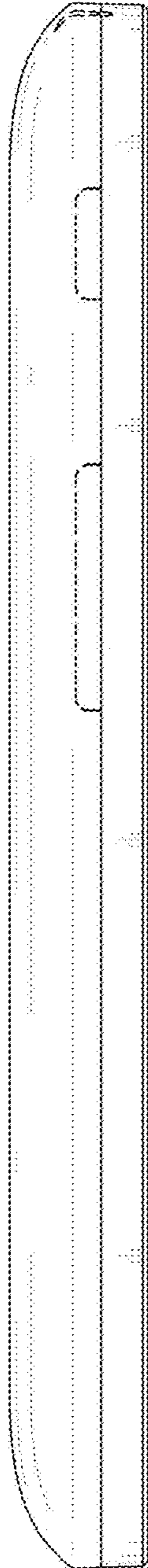


FIG. 5

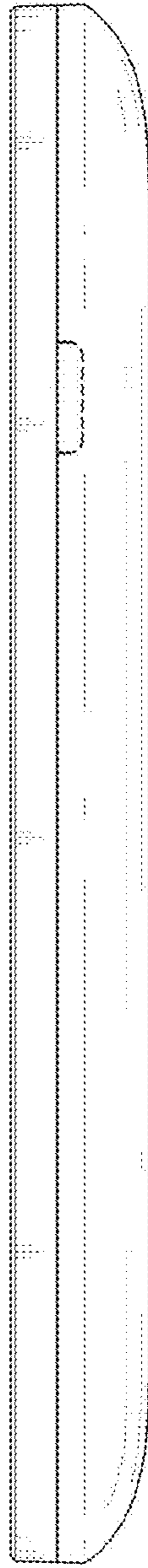


FIG. 6

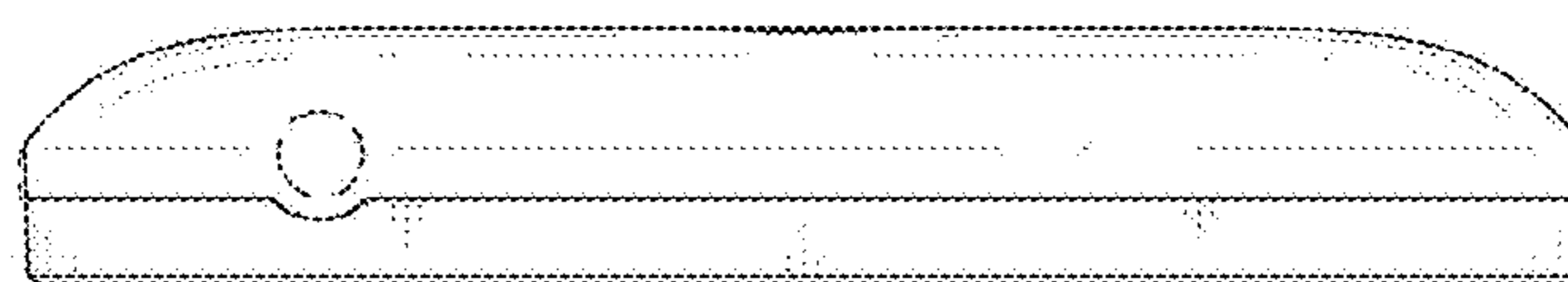


FIG. 7

