



US00D749047S

(12) **United States Design Patent**
Smith

(10) **Patent No.:** **US D749,047 S**
(45) **Date of Patent:** **** Feb. 9, 2016**

- (54) **PUSH-ON TYPE GROUNDING BUSHING**
- (71) Applicant: **Bridgeport Fittings, Inc.**, Stratford, CT (US)
- (72) Inventor: **Lawrence J. Smith**, Stamford, CT (US)
- (73) Assignee: **BRIDGEPORT FITTINGS, INC.**, Stratford, CT (US)

- 3,706,959 A 12/1972 Norden
- 3,967,872 A 7/1976 Mooney et al.
- D243,407 S 2/1977 Mooney et al.
- 4,159,859 A 7/1979 Shemtov
- 4,189,198 A 2/1980 Reichman
- 4,210,374 A 7/1980 Churla
- 4,248,490 A 2/1981 Bachle
- D277,454 S 2/1985 Meinhardt
- 4,536,613 A 8/1985 Gallas

(Continued)

- (**) Term: **15 Years**
- (21) Appl. No.: **29/527,563**
- (22) Filed: **May 20, 2015**

OTHER PUBLICATIONS

“Cable Fittings terminate large MC cable in dry locations”; Apr. 8, 2013; Thomasnet.com; <http://news.thomasnet.com/fullstory/Cable-Fittings-terminate-large-MC-cable-in-dry-locations-20006067>.

(Continued)

Related U.S. Application Data

- (62) Division of application No. 29/489,144, filed on Apr. 28, 2014, now Pat. No. Des. 733,064.
- (51) **LOC (10) Cl.** **13-03**
- (52) **U.S. Cl.**
USPC **D13/149**
- (58) **Field of Classification Search**
USPC D13/129, 133, 149, 151, 153, 154, 156, D13/184, 199; 439/271, 275, 277, 283, 285, 439/279 R, 282; 174/74 R, 71 C, 650, 656, 174/665, 659; D8/348, 354, 355
CPC H01R 4/36; H01R 4/643; H01R 4/10; H01R 4/18; H01R 4/38; H01R 4/40; H01R 4/64; H02G 3/0683; Y10T 16/05
See application file for complete search history.

Primary Examiner — Derrick Holland
Assistant Examiner — Jennifer O King

(74) *Attorney, Agent, or Firm* — Ware, Fressola, Maguire & Barber LLP

(57) **CLAIM**

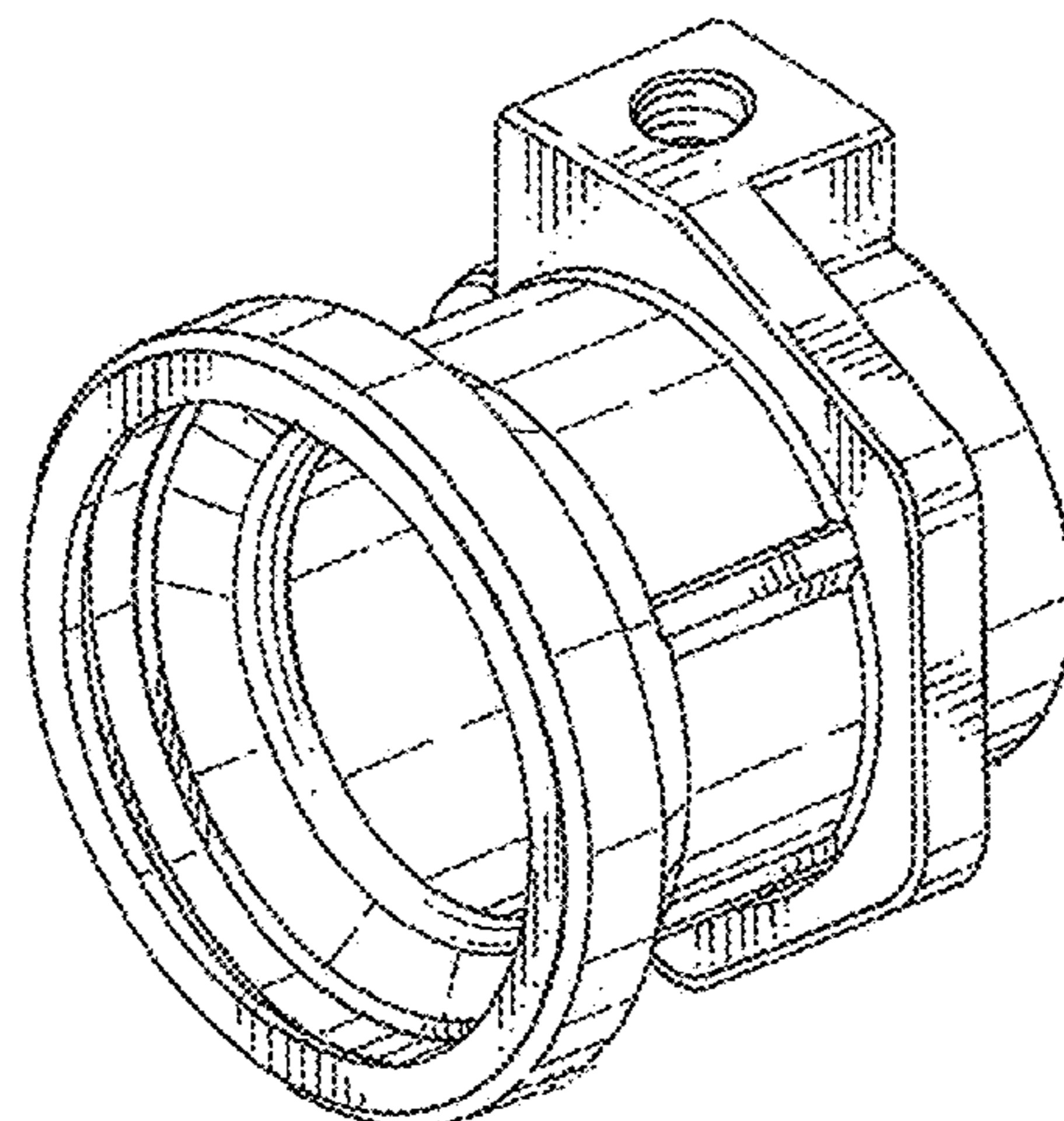
The ornamental design for a push-on type grounding bushing, as shown and described.

DESCRIPTION

FIG. 1 is a perspective view of a push-on type grounding bushing showing my new design; FIG. 2 is a left side view thereof; FIG. 3 is a right side view thereof; FIG. 4 is a rear view thereof; FIG. 5 is a front view thereof; FIG. 6 is a top view thereof; FIG. 7 is a bottom view thereof; and, FIG. 8 is perspective view thereof shown in use. The broken lines shown represent unclaimed subject matter and form no part of the claimed design.

- (56) **References Cited**
U.S. PATENT DOCUMENTS
- 1,690,220 A 11/1928 Fahnestock
- 1,941,905 A 1/1934 Mair
- 3,009,128 A 11/1961 De Carlo
- 3,492,625 A 1/1970 Bromberg
- 3,643,203 A 2/1972 Mclaughlin et al.

1 Claim, 4 Drawing Sheets



(56)

References Cited

U.S. PATENT DOCUMENTS

4,806,108 A 2/1989 Meinhardt
 4,875,864 A 10/1989 Campbell
 5,364,281 A 11/1994 Leto
 5,480,311 A 1/1996 Luu
 6,011,218 A 1/2000 Burek et al.
 6,797,877 B1 9/2004 Burnette
 6,817,895 B2 11/2004 Kiely
 6,903,267 B2 6/2005 Burnette
 7,005,574 B2 2/2006 Burnette
 7,005,581 B2 2/2006 Burnette
 7,126,064 B1 10/2006 Shemtov
 7,154,054 B1 * 12/2006 Gretz H02G 3/0666
 16/2.1
 7,182,611 B2 2/2007 Borden et al.
 7,198,495 B1 4/2007 Youtsey
 7,445,527 B1 * 11/2008 Carr H01R 4/36
 439/814
 7,488,905 B2 2/2009 Kiely et al.
 7,537,494 B1 * 5/2009 Umlauf H01R 4/36
 439/798
 D596,578 S 7/2009 Kiely et al.
 D618,626 S 6/2010 Kiely
 7,758,356 B2 7/2010 Burris et al.
 7,841,630 B1 11/2010 Auray et al.
 D633,873 S 3/2011 Kiely
 8,106,297 B1 1/2012 Kiely
 D666,153 S 8/2012 Smith
 8,242,369 B2 8/2012 Kiely et al.
 8,274,000 B2 9/2012 Smith
 D668,617 S * 10/2012 Kiely D13/149
 8,466,378 B1 6/2013 Gretz
 8,474,877 B2 7/2013 Smith
 8,487,197 B2 7/2013 Smith
 D729,165 S * 5/2015 Liu D13/133
 D732,926 S * 6/2015 Booth D8/349
 2005/0189134 A1 9/2005 Pyron

2005/0255728 A1 * 11/2005 Pyron H01R 4/643
 439/100
 2006/0289194 A1 * 12/2006 Kiely H01R 3/745
 174/78
 2008/0314637 A1 * 12/2008 Hofmann H02G 15/04
 174/668
 2010/0041281 A1 2/2010 Quattro
 2011/0237140 A1 * 9/2011 Cerasale H01R 4/36
 439/797
 2011/0287643 A1 11/2011 Lopez
 2012/0003878 A1 * 1/2012 Tomas Gilabert H01R 4/36
 439/701
 2012/0088380 A1 * 4/2012 Smith H01R 4/36
 439/100
 2013/0089994 A1 * 4/2013 Smith H01R 4/643
 439/100
 2013/0189860 A1 7/2013 Pyron
 2015/0140848 A1 * 5/2015 Sato H01R 13/5202
 439/271
 2015/0311638 A1 * 10/2015 Smith H01R 4/36
 174/78

OTHER PUBLICATIONS

“Tite-Bite Combination Couplings Armored Cable for Threaded Rigid—Rigid and Intermediate Metal Conduit Fittings”; PartCommunity.com; http://b2b.partcommunity.com/portal/portal/b2b/CAD+CATALOGS?info=thomas_betts/fittings/rigit_fittings/tite_bite_combinat_coupl_asmtab.prj.
 “Grounding Clamps”; Bridgeport Fittings, Inc. Catalog; p. 93; Nov. 1, 2013.
 “Insulating Bushing”; Bridgeport Fittings, Inc. Catalog; p. 43; Nov. 1, 2013.
 Arlington EMT250 Product Information; Nov. 1, 2013; entire document.
 Ground Lug; Nov. 1, 2013; entire document.
 Lay-In Lugs: Solar Grounding Lugs; Nov. 1, 2013; entire document.
 Midwest LT2006 2LT Connector Ground Lug; Nov. 1, 2013; entire document.

* cited by examiner

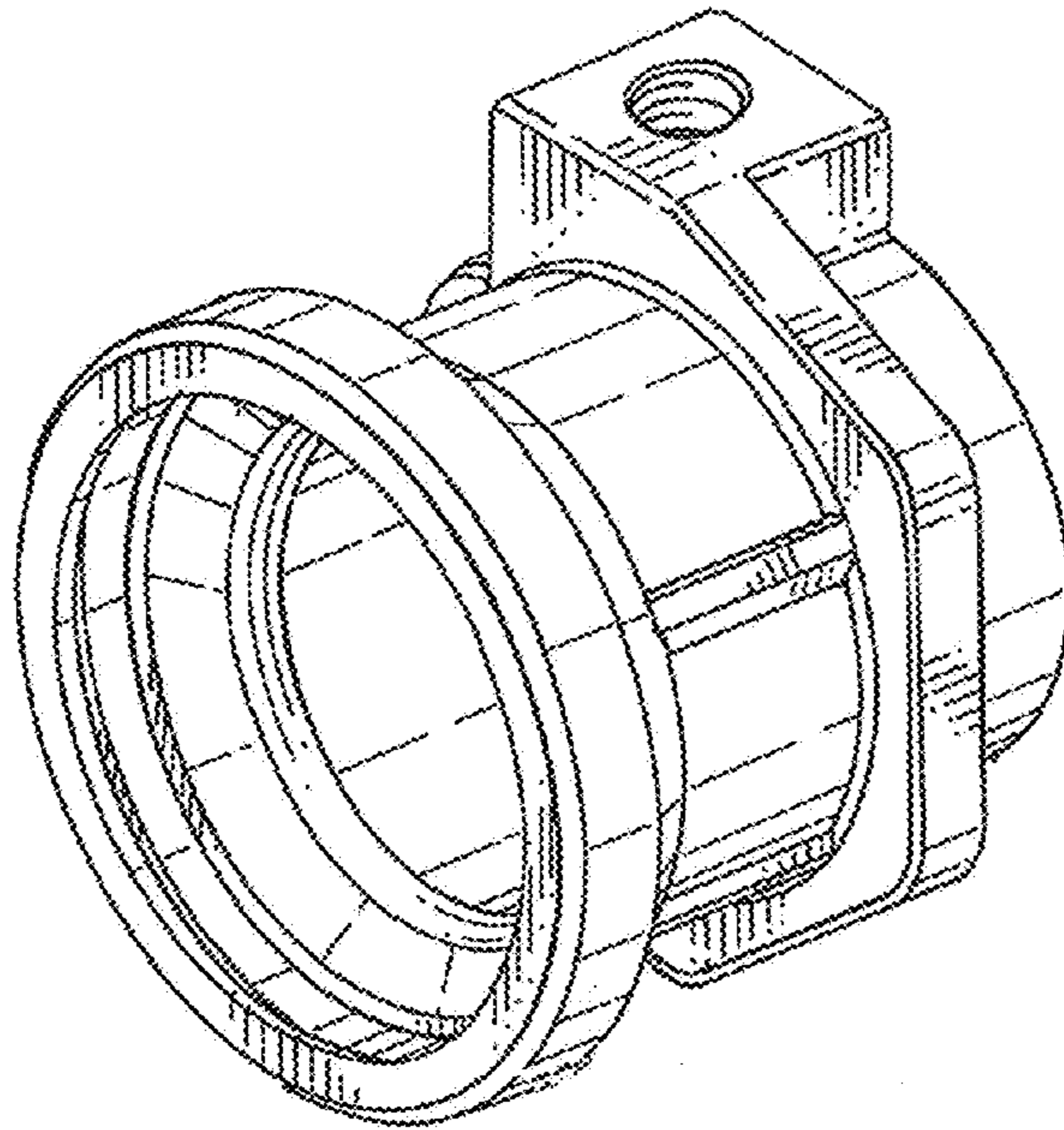


FIG. 1

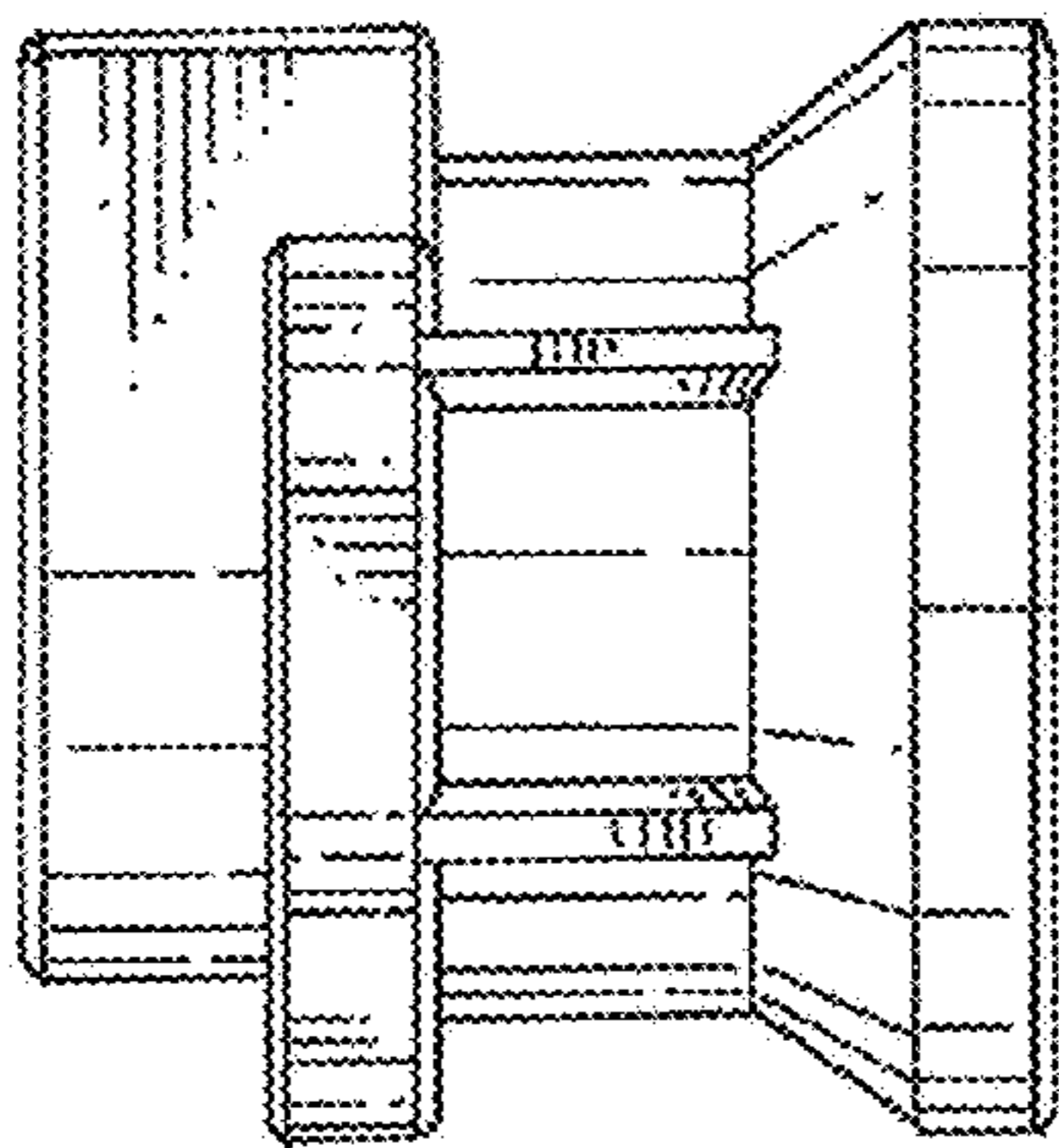


FIG. 2

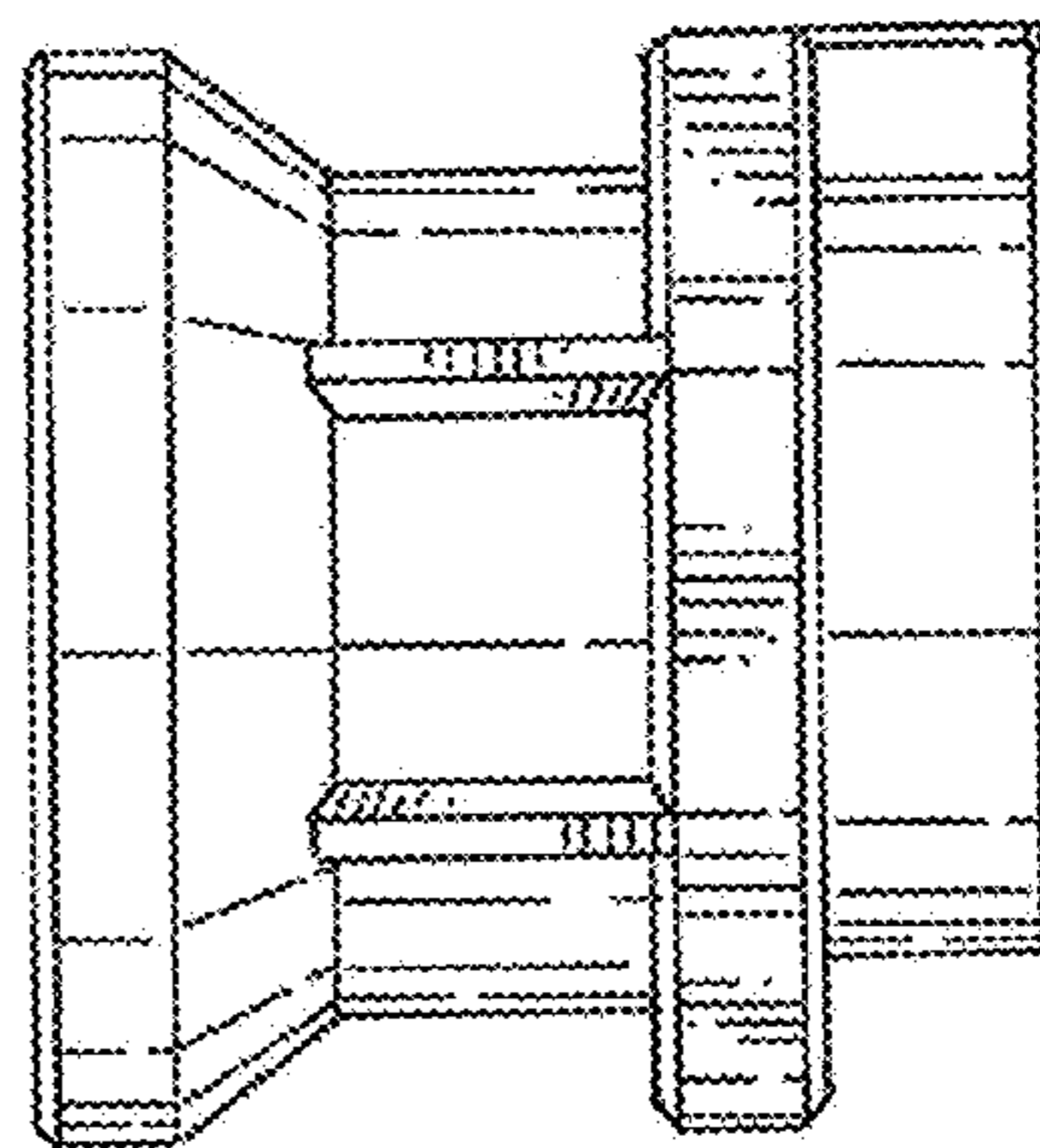


FIG. 3

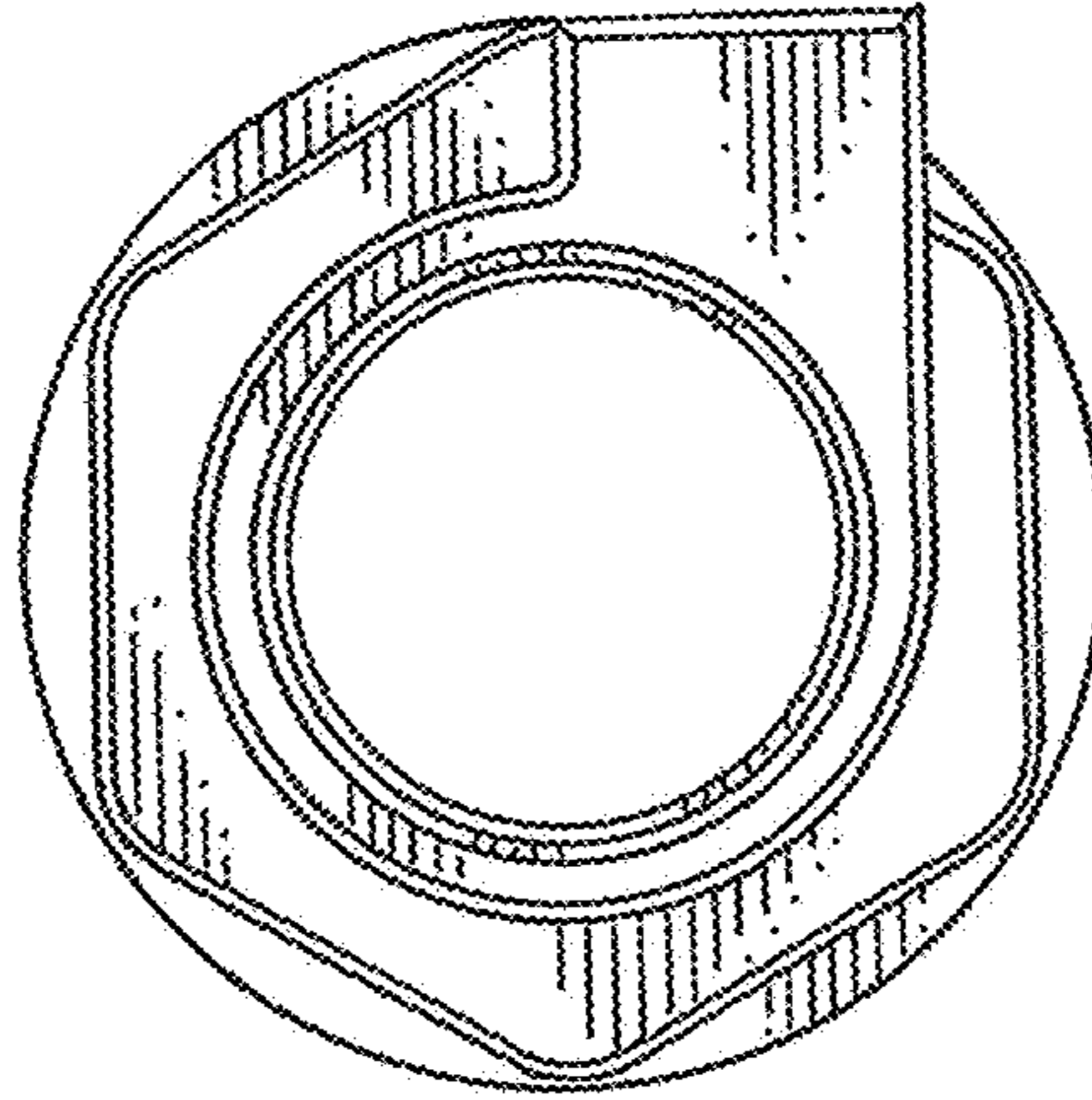


FIG. 4

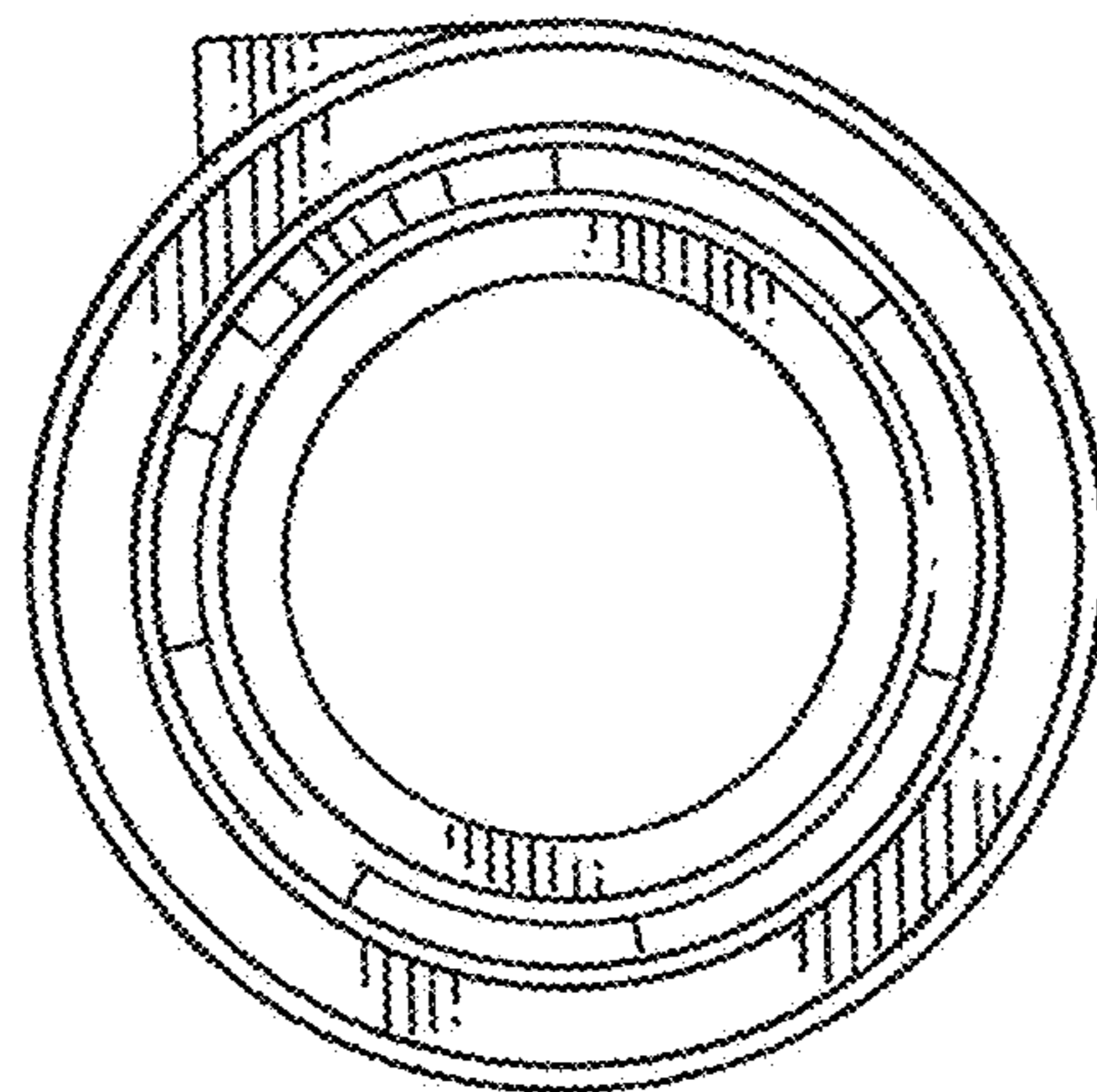


FIG. 5

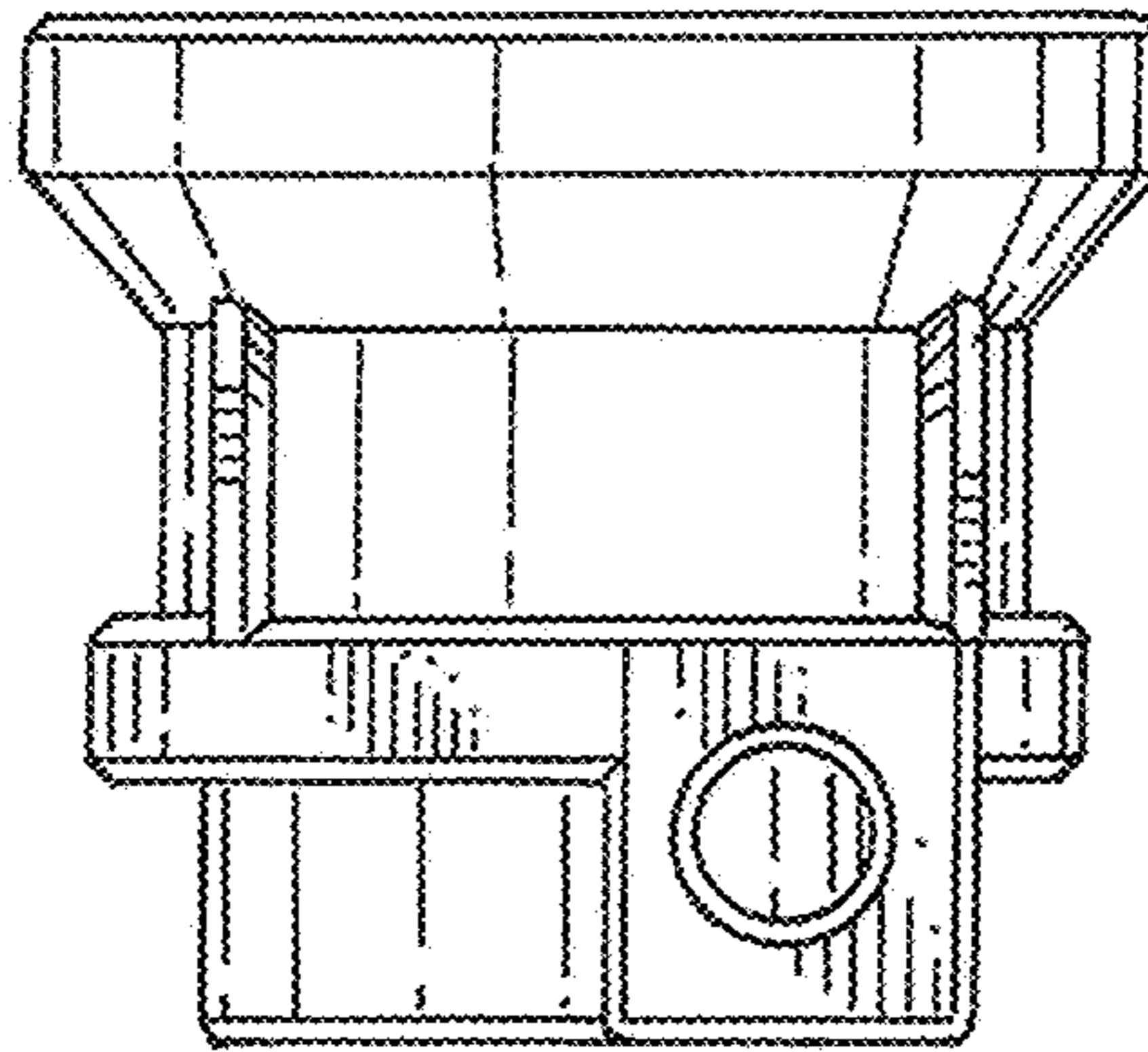


FIG. 6

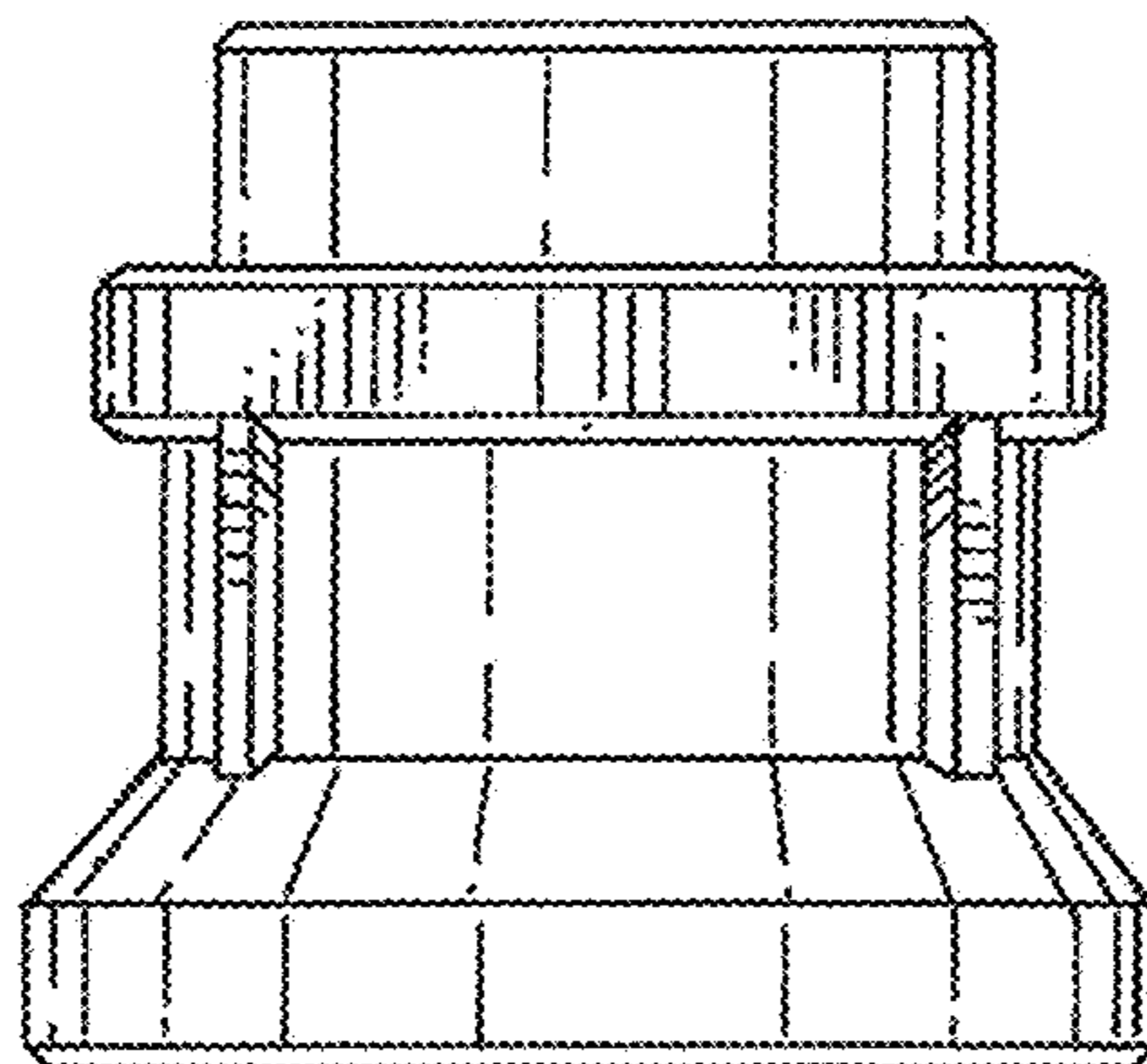


FIG. 7

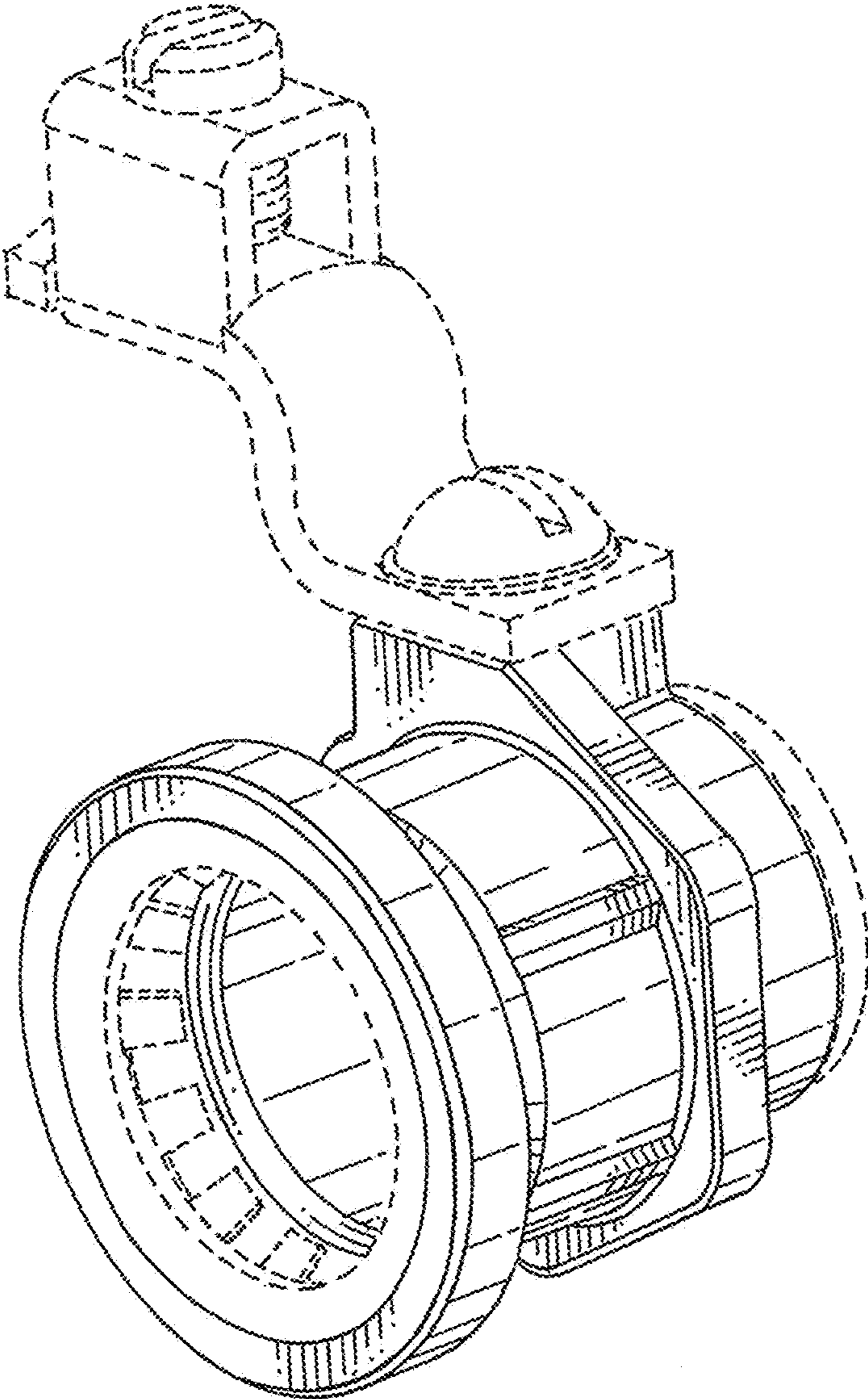


FIG. 8