



US00D749046S

(12) **United States Design Patent**
Curry et al.

(10) **Patent No.:** **US D749,046 S**

(45) **Date of Patent:** **** Feb. 9, 2016**

(54) **ELECTRICAL CONNECTOR**
(71) Applicant: **HOBBICO, INC.**, Champaign, IL (US)
(72) Inventors: **Shane Curry**, Champaign, IL (US);
Neal Cloud, Tolono, IL (US); **Kevin Burner**, Champaign, IL (US); **Robert Csiki**, Mahomet, IL (US); **Jamie M. Seymour**, Mission Viejo, CA (US)

7,374,460 B1 * 5/2008 Hariharesan H01R 13/187
439/679
D573,536 S * 7/2008 Hariharesan D13/133
D576,557 S * 9/2008 Hariharesan D13/133
D605,602 S * 12/2009 Mase D13/147
7,749,029 B1 * 7/2010 Pontillo, II H01R 13/04
439/677
D653,621 S * 2/2012 Gross D13/146
D663,693 S * 7/2012 Smith D13/146
D665,751 S * 8/2012 Byrne D13/146
8,491,341 B2 * 7/2013 Bower H01R 13/642
439/638
2010/0123455 A1 * 5/2010 Tarchinski H01R 13/6273
324/149

(73) Assignee: **HOBBICO, INC.**, Champaign, IL (US)

(**) Term: **14 Years**

* cited by examiner

(21) Appl. No.: **29/499,191**

Primary Examiner — Thomas Johannes
Assistant Examiner — Shawn T Gingrich

(22) Filed: **Aug. 12, 2014**

(51) **LOC (10) Cl.** **13-03**

(52) **U.S. Cl.**
USPC **D13/133**

(58) **Field of Classification Search**
USPC D13/110, 118, 120, 123, 133, 137.1,
D13/138.1, 139.1, 139.3, 146, 147, 149,
D13/154, 184, 199
CPC H01R 13/17; H01R 13/64; H01R 13/641;
H01R 13/642; H01R 25/00; H01R 25/006;
H01R 31/00; H01R 33/88
See application file for complete search history.

(74) *Attorney, Agent, or Firm* — Drinker Biddle & Reath
LLP

(57) **CLAIM**
The ornamental design for an electrical connector, as shown
and described.

(56) **References Cited**

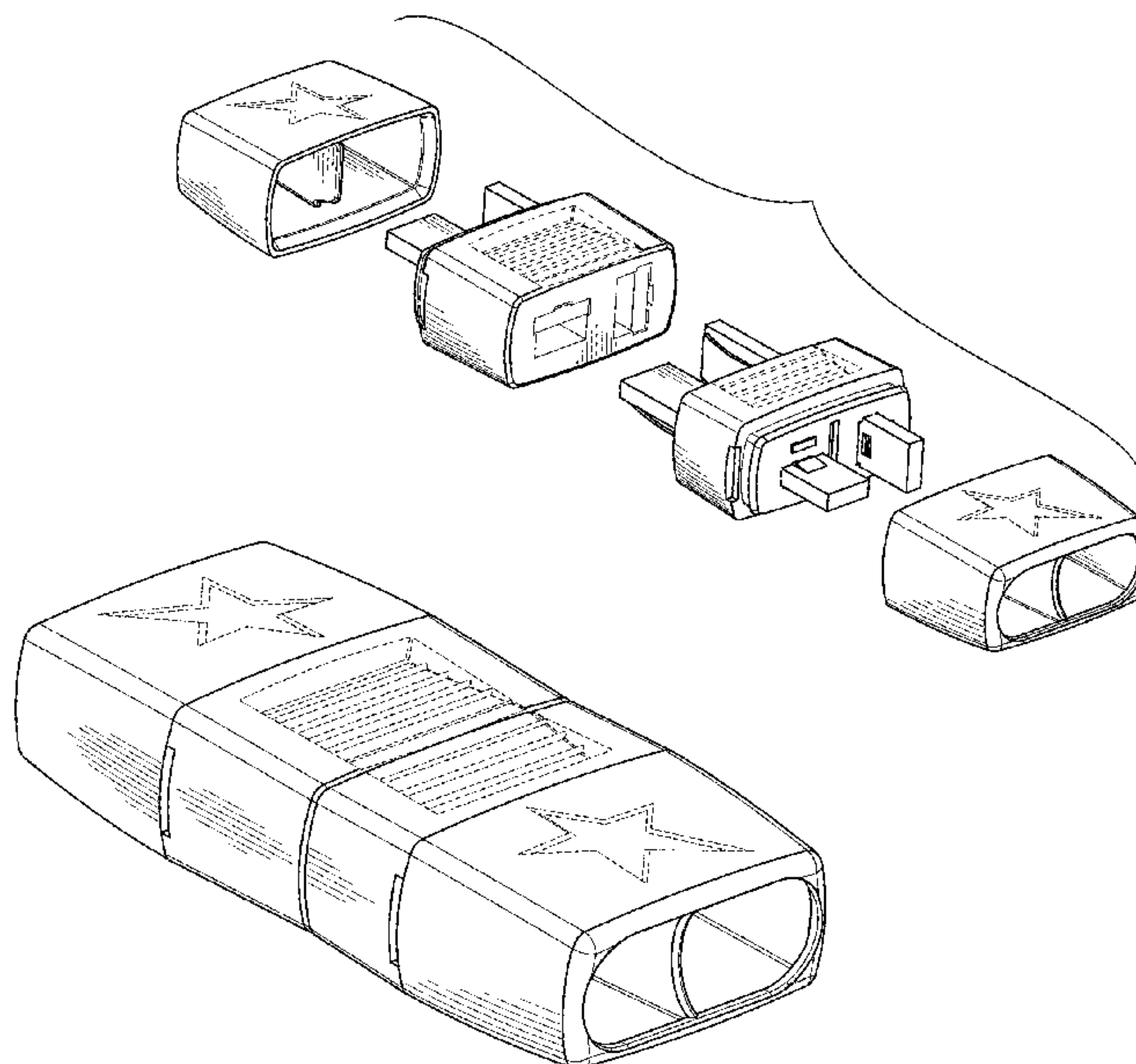
U.S. PATENT DOCUMENTS

4,526,431 A * 7/1985 Kasukawa G02B 6/3877
439/153
D360,872 S * 8/1995 Wilson D13/133
5,533,915 A 7/1996 Deans
7,201,612 B1 * 4/2007 Hou H01R 13/052
439/281

DESCRIPTION

FIG. 1 is an exploded perspective view depicting the new design of an electrical connector;
FIG. 2 is a perspective view thereof;
FIG. 3 is right side view thereof, and the left side view is a mirror image thereof;
FIG. 4 is a front view thereof, and the back view is a mirror image thereof; and,
FIG. 5 is a top view thereof, and the bottom view is a mirror image thereof.
The broken line in the figure drawings is included to show portions of the article that form no part of the claimed design.

1 Claim, 3 Drawing Sheets



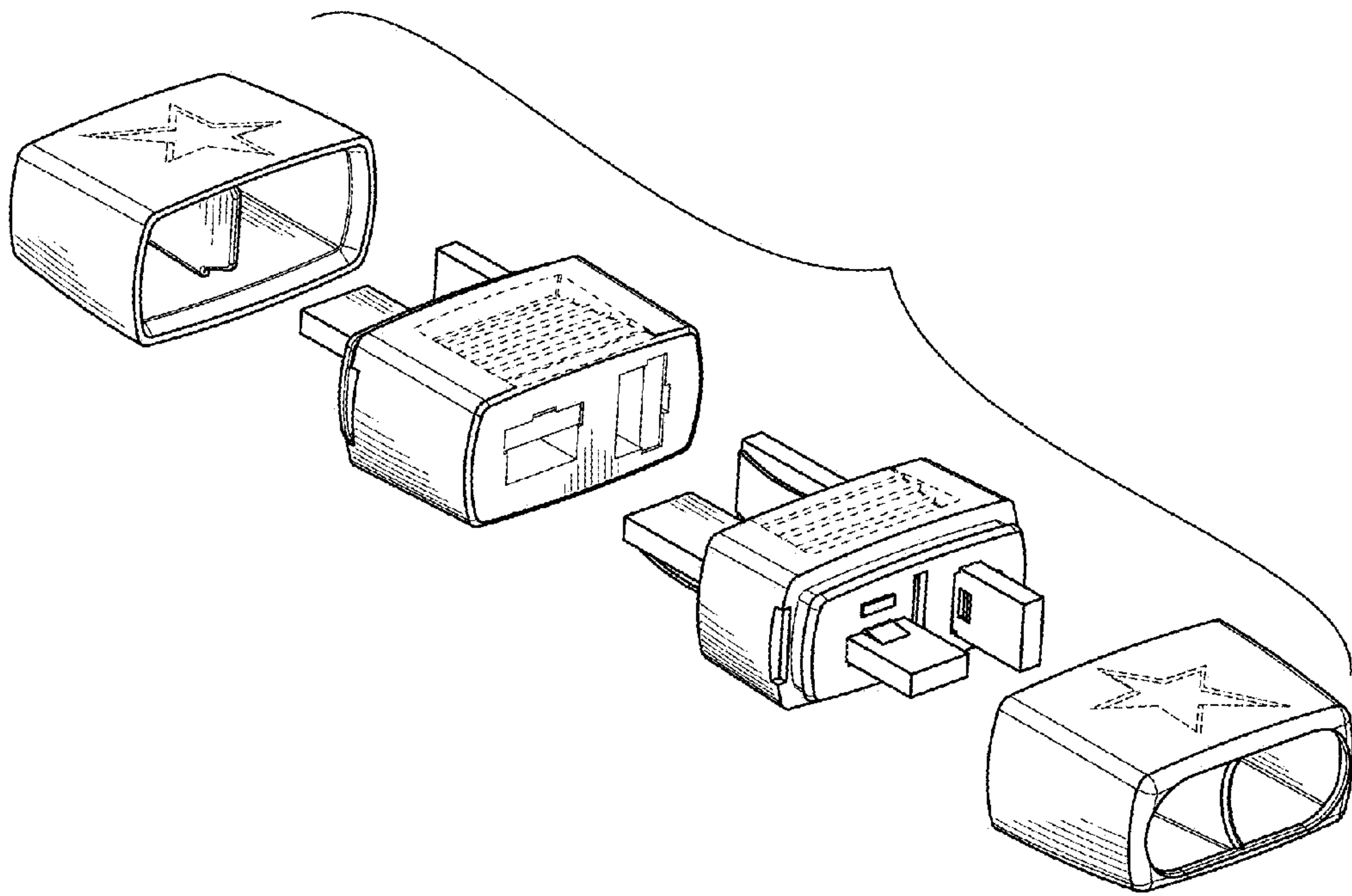


FIG. 1

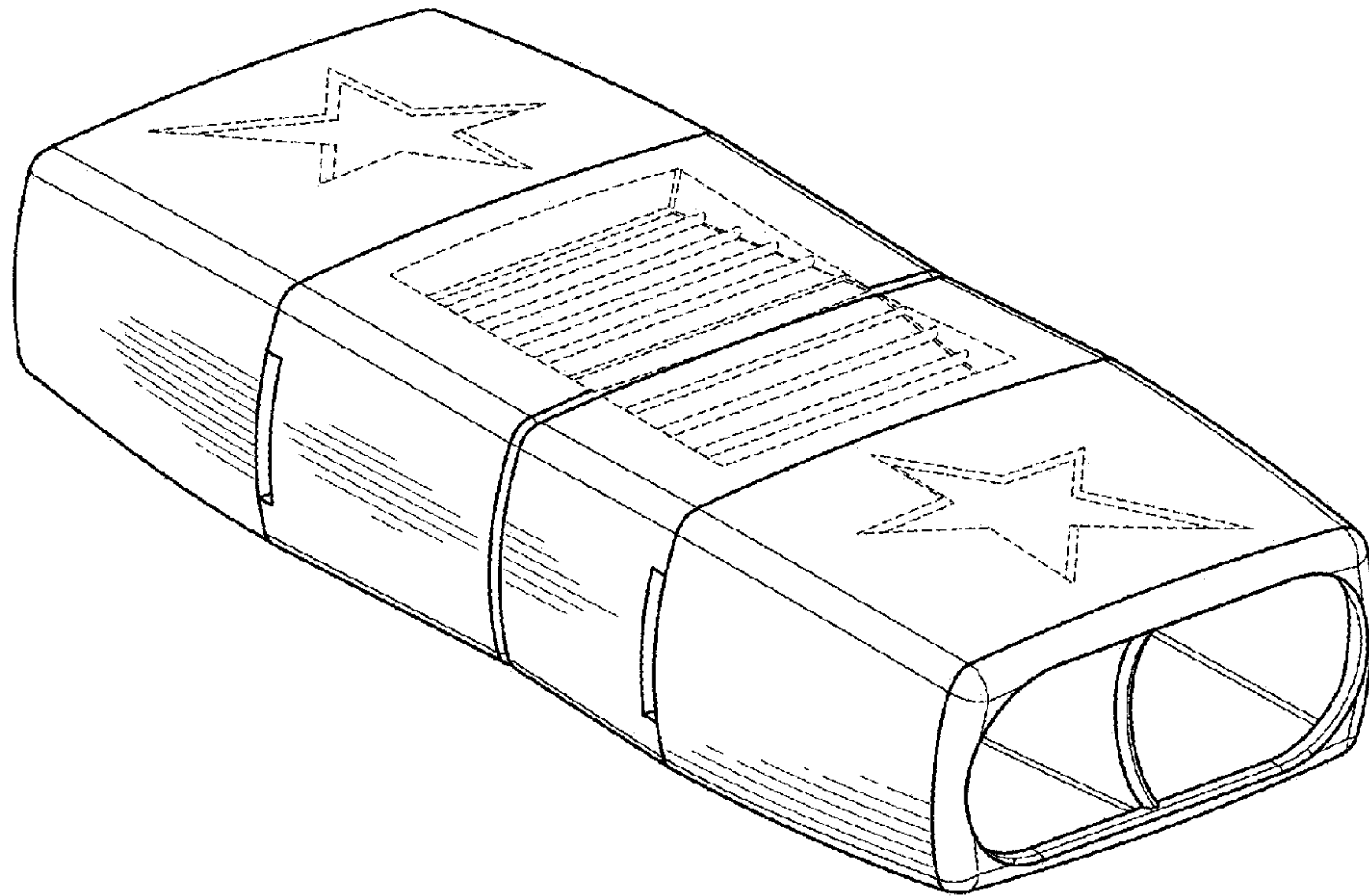


FIG. 2

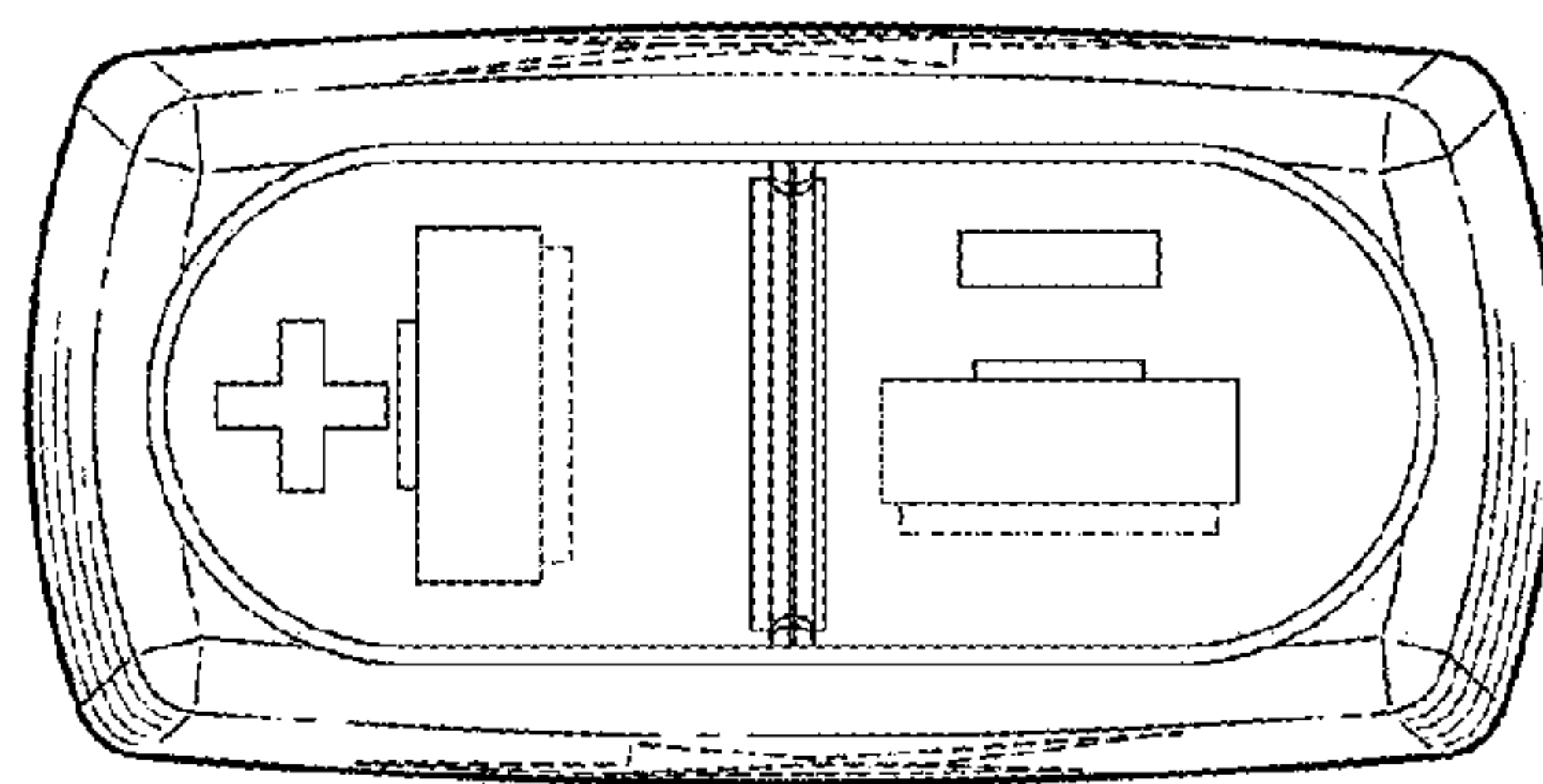


FIG. 3

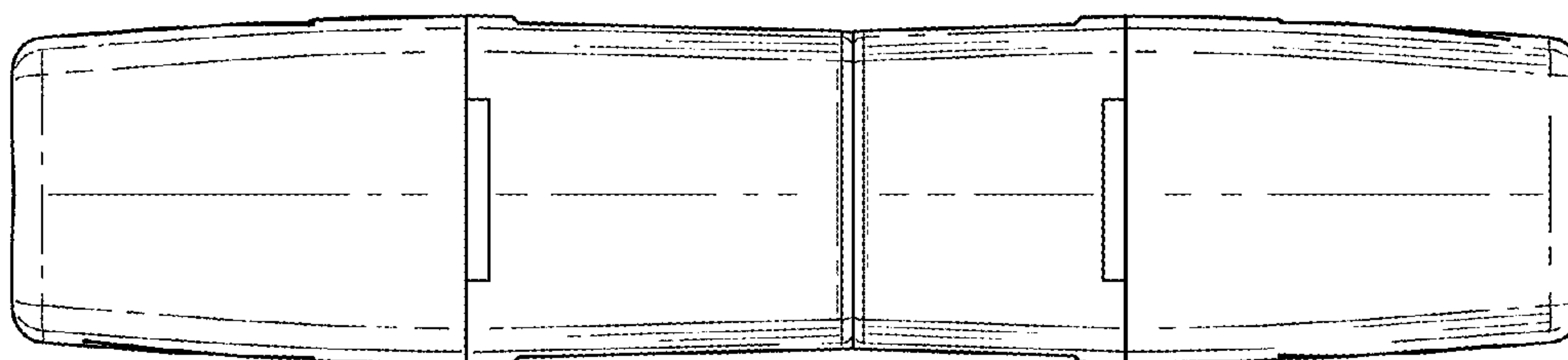


FIG. 4

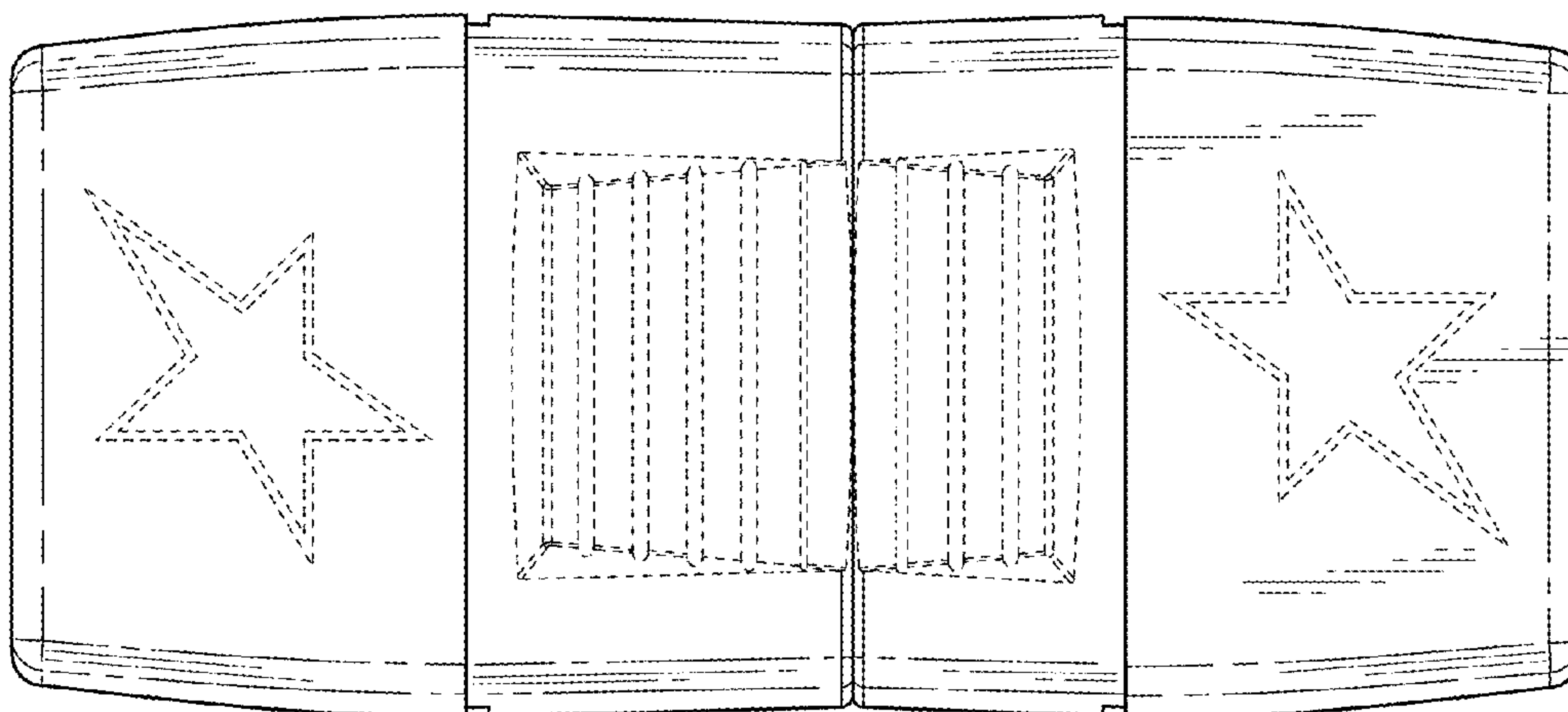


FIG. 5