



US00D749042S

(12) **United States Design Patent**  
**Gecawicz et al.**

(10) **Patent No.:** **US D749,042 S**

(45) **Date of Patent:** **\*\* Feb. 9, 2016**

- (54) **DUAL-BAY BATTERY CHARGER**
- (71) Applicants: **Raymond Gecawicz**, Acton, MA (US);  
**William Kyle**, Reading, MA (US)
- (72) Inventors: **Raymond Gecawicz**, Acton, MA (US);  
**William Kyle**, Reading, MA (US)
- (\*\*) Term: **15 Years**
- (21) Appl. No.: **29/541,857**
- (22) Filed: **Oct. 8, 2015**
- (51) **LOC (10) Cl.** ..... **13-02**
- (52) **U.S. Cl.**  
USPC ..... **D13/107**
- (58) **Field of Classification Search**  
USPC ..... D13/107–110, 118–119, 184, 199;  
D14/251, 253, 432, 434  
CPC ..... Y02E 60/12; Y02T 90/14; Y02T 90/122;  
Y02T 90/128; Y02T 90/163; H02J 7/025;  
H02J 7/0042; H02J 7/0044; H02J 7/0045;  
H02J 7/0003; H01F 38/14; H01R 13/6675;  
H01M 2/1022; H01M 2/1055; H01M 10/44;  
H01M 10/46; H01M 10/425; B60L 11/182  
See application file for complete search history.

- D506,725 S \* 6/2005 Watson ..... D13/108
- D526,995 S 8/2006 Claxton et al.
- D530,667 S 10/2006 Viduya et al.
- D532,365 S \* 11/2006 Shen ..... D13/107
- D537,409 S \* 2/2007 Suzuki ..... D13/108
- D554,107 S 10/2007 Calco et al.
- D588,536 S \* 3/2009 Wahl ..... D13/108
- D609,637 S \* 2/2010 Chu ..... D13/108
- D609,638 S \* 2/2010 Biheller ..... D13/108
- D625,729 S \* 10/2010 McNames ..... D10/65
- D626,537 S 11/2010 Lee
- D629,355 S \* 12/2010 Bodley ..... D13/108
- D638,020 S 5/2011 Johnson et al.
- D638,790 S 5/2011 Daniel
- D647,907 S \* 11/2011 Perry ..... D14/434
- D653,206 S \* 1/2012 Heine ..... D13/108
- D654,019 S \* 2/2012 Ikegame ..... D13/108

(Continued)

*Primary Examiner* — Rosemary K Tarcza  
(74) *Attorney, Agent, or Firm* — Thomas P. O’Connell;  
O’Connell Law Firm

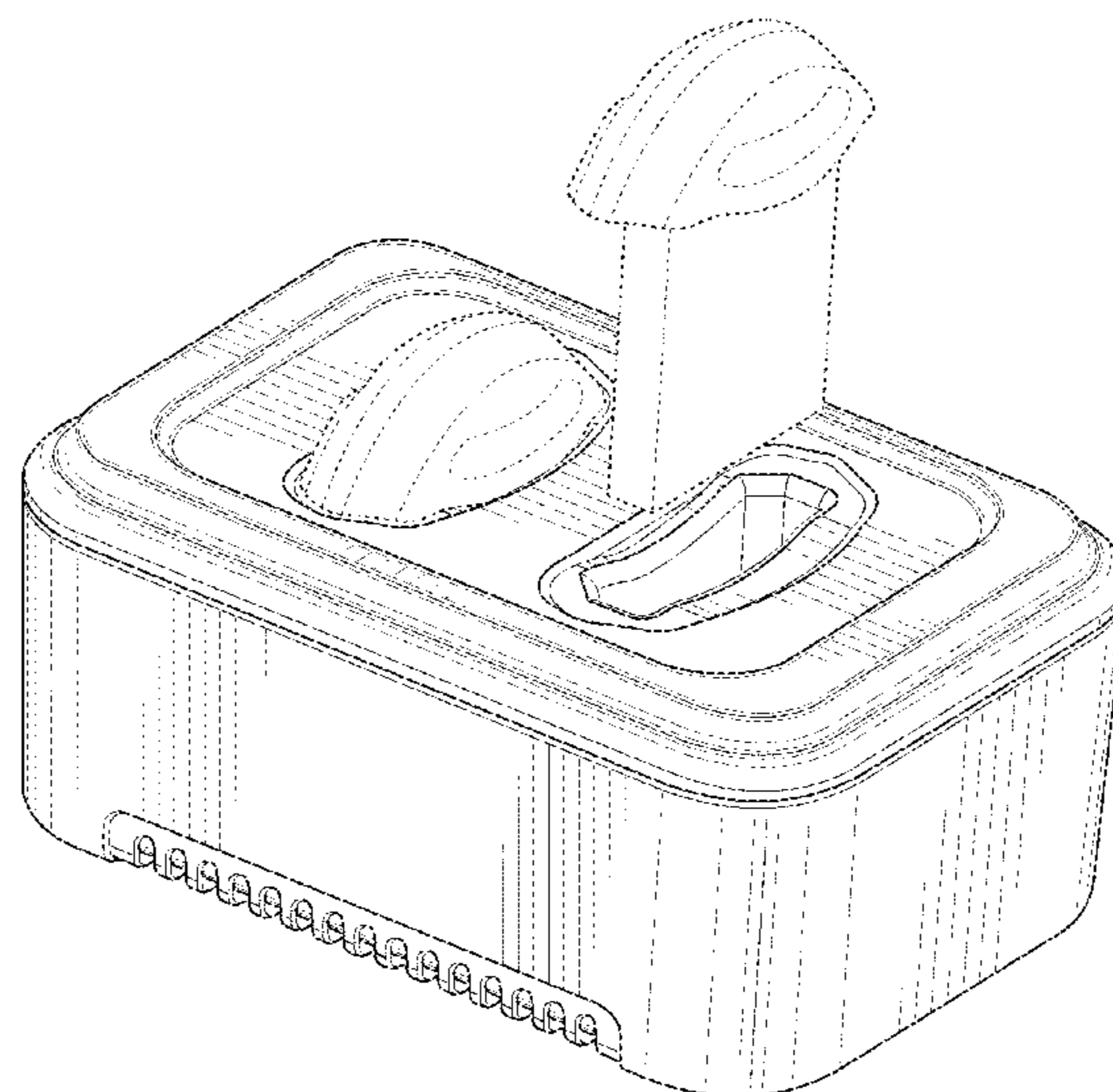
(57) **CLAIM**  
We claim the ornamental design for a dual-bay battery charger, as shown and described.

**DESCRIPTION**

FIG. 1 is a perspective view of a dual-bay battery charger showing our design with a first battery received into a battery bay and a second battery positioned for insertion into a battery bay, the batteries forming no part of the claimed design; FIG. 2 is a top plan view thereof; FIG. 3 is a bottom plan view thereof; FIG. 4 is a view in rear elevation thereof; FIG. 5 is a view in front elevation thereof; FIG. 6 is a view in left side elevation thereof; and, FIG. 7 is a view in right side elevation thereof. The batteries and the port shown in broken lines are for illustrative purposes only and do not form a part of the claimed design.

**1 Claim, 4 Drawing Sheets**

- (56) **References Cited**  
U.S. PATENT DOCUMENTS
- D278,426 S 4/1985 Lanci et al.
- D278,702 S 5/1985 Chiodo et al.
- D278,703 S 5/1985 Chiodo et al.
- D322,060 S 12/1991 Iino
- D336,631 S \* 6/1993 Ivester ..... D13/108
- D350,329 S 9/1994 Lindeman et al.
- D359,474 S \* 6/1995 Palatov ..... D13/108
- D388,764 S \* 1/1998 Bartling ..... D13/107
- D397,084 S \* 8/1998 Siddoway ..... D13/107
- D402,258 S \* 12/1998 Kawakami ..... D13/107
- D446,184 S 8/2001 Parker
- D462,657 S \* 9/2002 Kaneko ..... D13/107
- D476,659 S \* 7/2003 Ying ..... D14/434



(56)

**References Cited**

U.S. PATENT DOCUMENTS

D680,066 S \* 4/2013 Kinoshita ..... D13/107  
D692,824 S 11/2013 Fiaschetti  
D702,631 S 4/2014 Esses  
D710,797 S \* 8/2014 Awiszus ..... D13/107  
D710,798 S 8/2014 Awiszus et al.

D712,828 S 9/2014 Delrue et al.  
D722,957 S 2/2015 Kotaniemi et al.  
D730,284 S 5/2015 Dorn et al.  
D734,718 S 7/2015 Fournier et al.  
D736,703 S 8/2015 Kotaniemi et al.  
2004/0080298 A1 4/2004 Maggert et al.  
2015/0244194 A1\* 8/2015 Tabuchi ..... H02J 7/0013  
320/107

\* cited by examiner

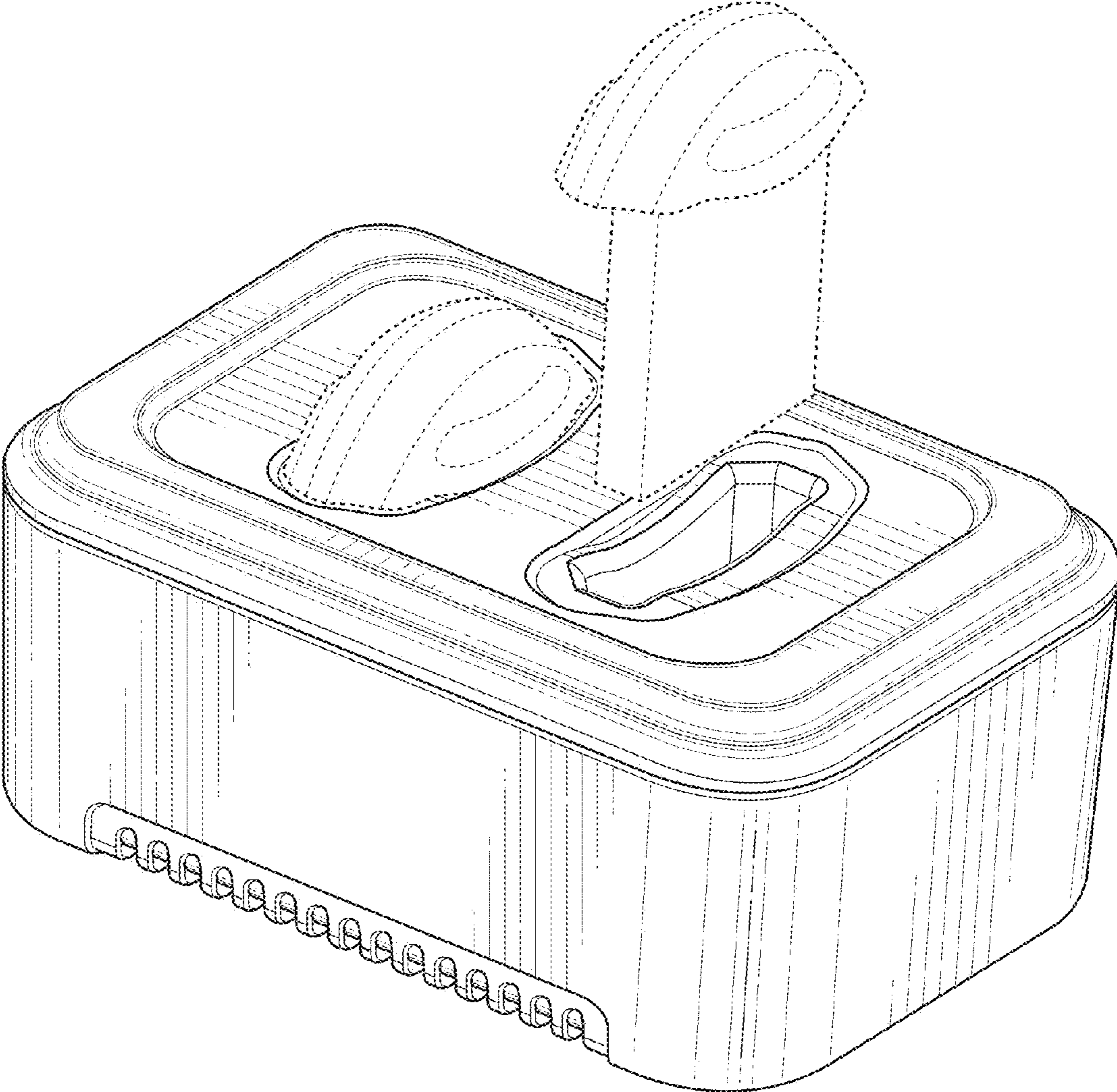


FIG. 1

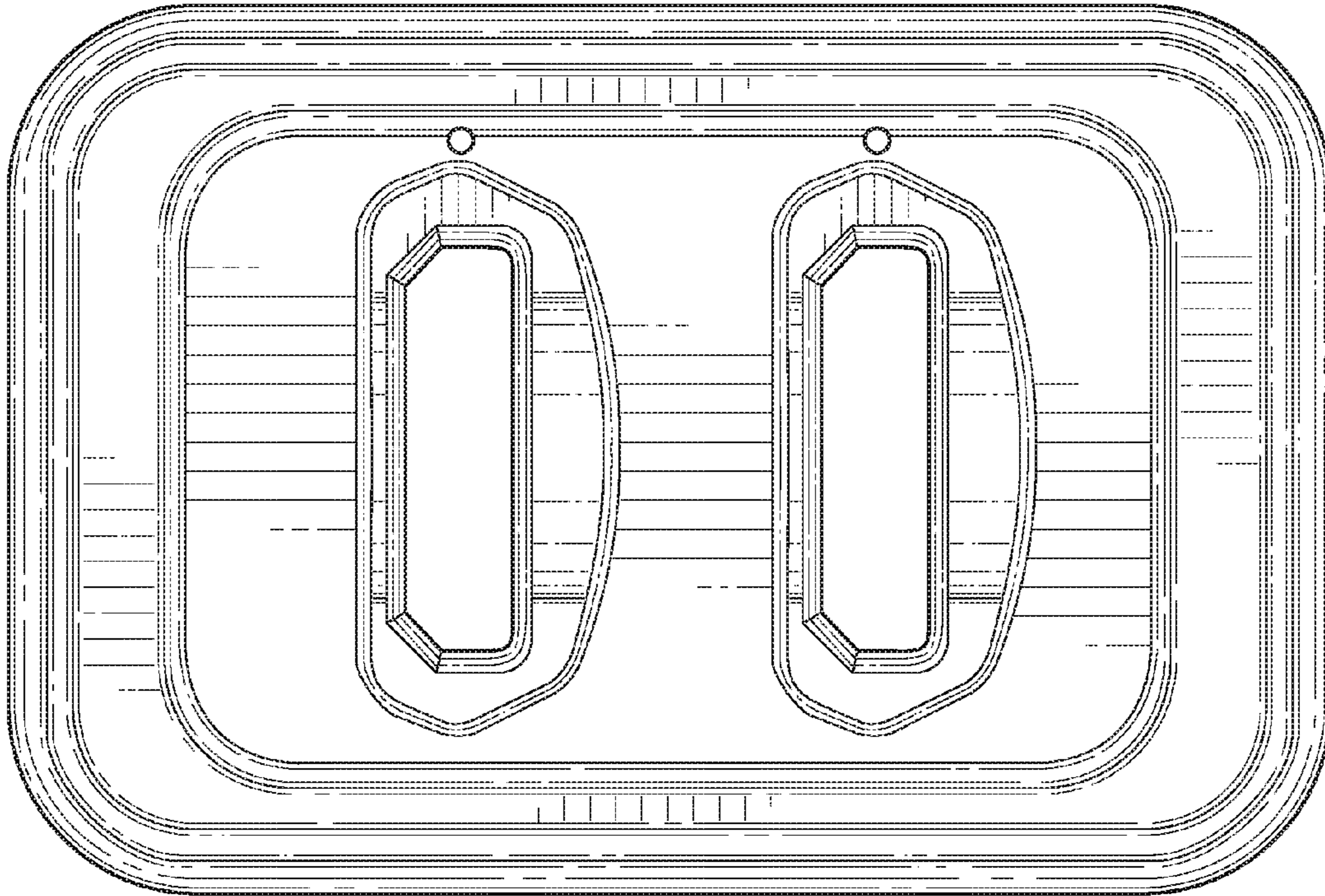


FIG. 2

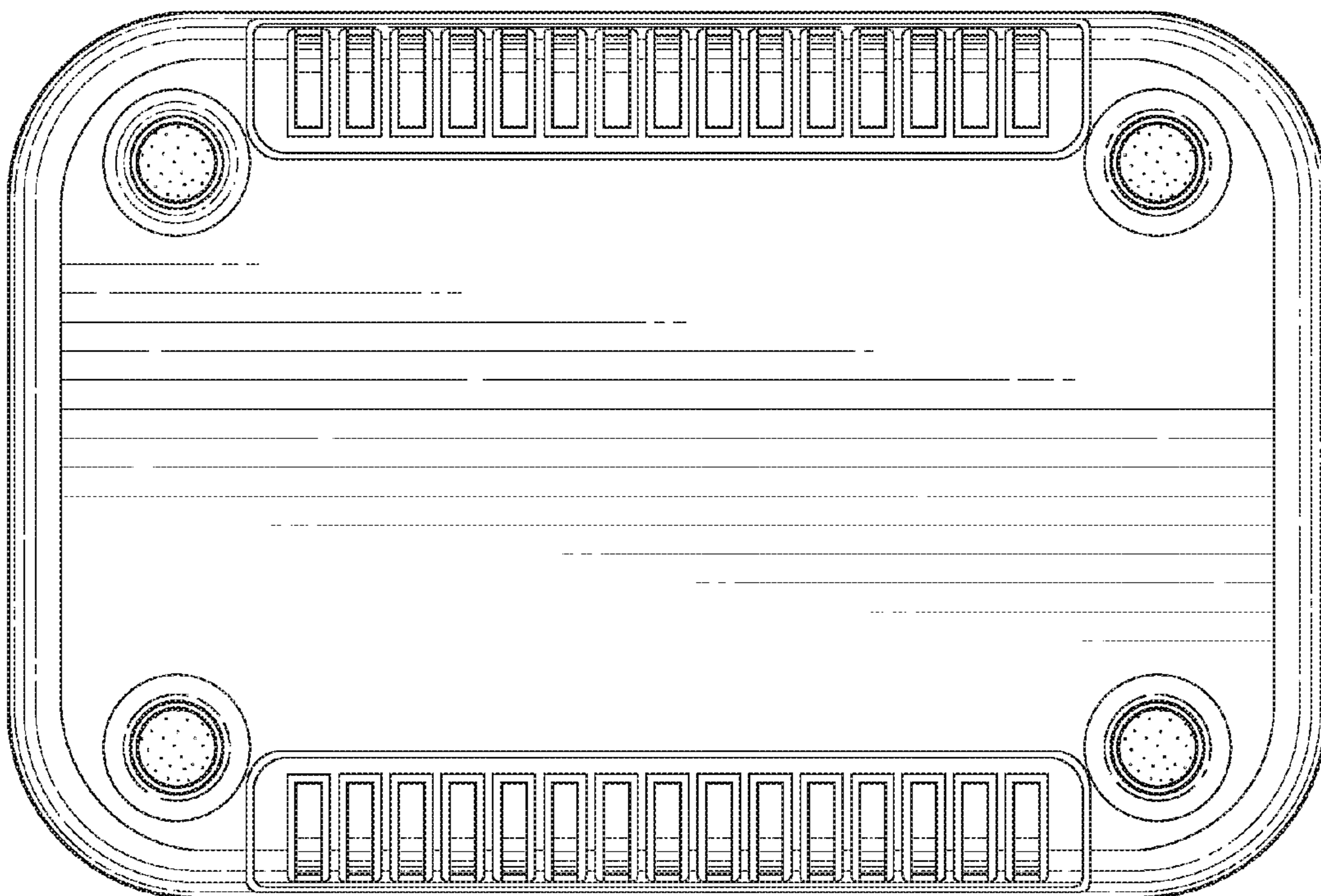


FIG. 3

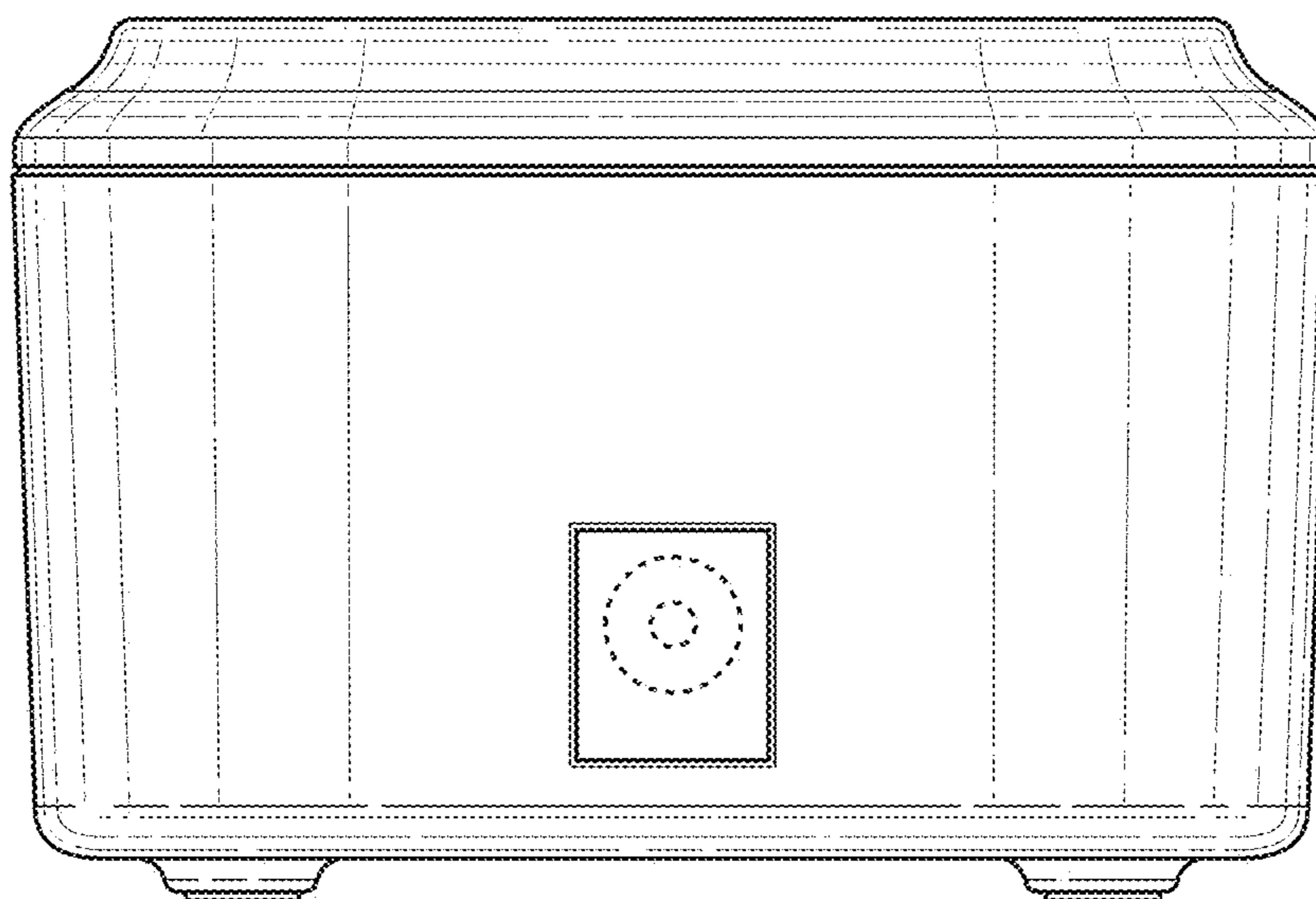


FIG. 4

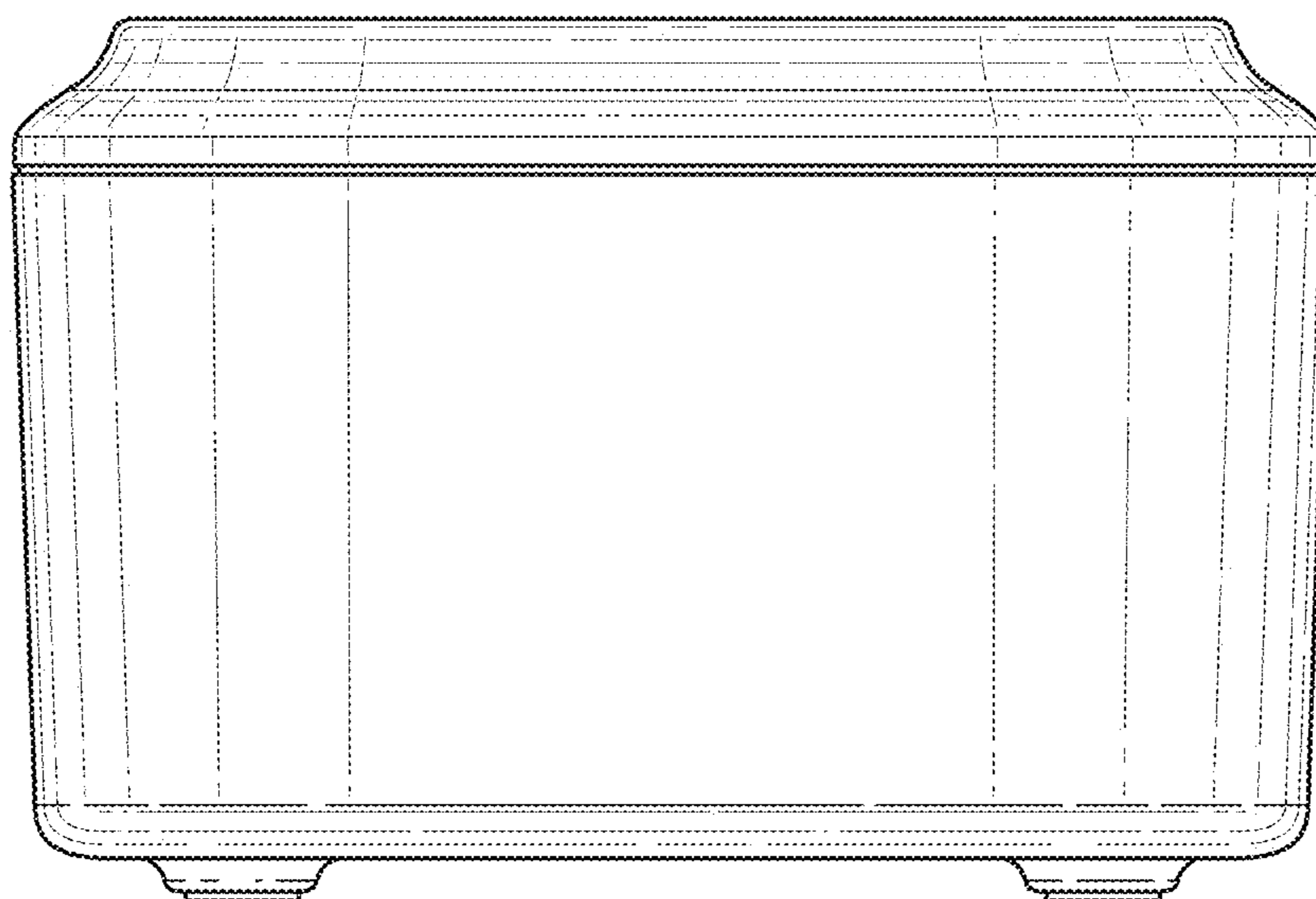


FIG. 5

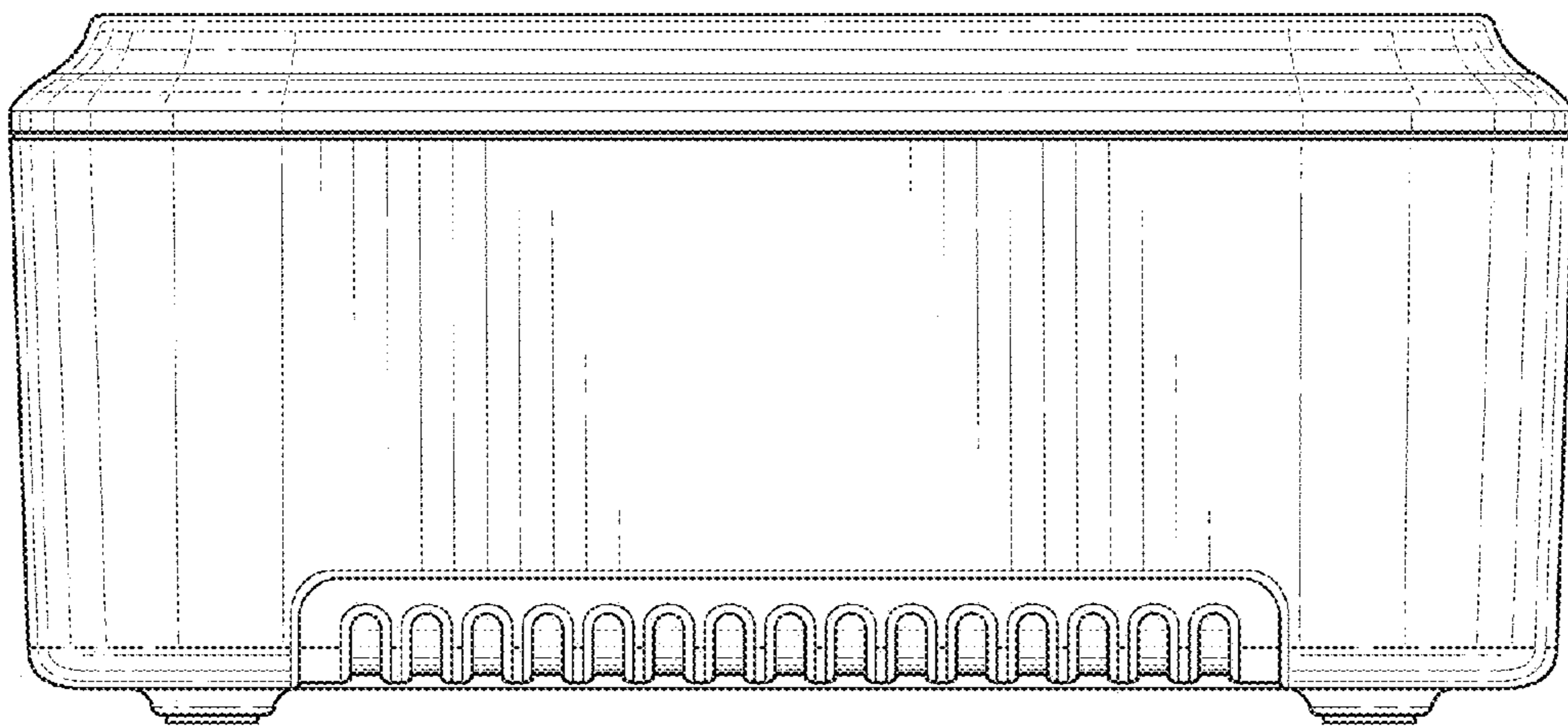


FIG. 6

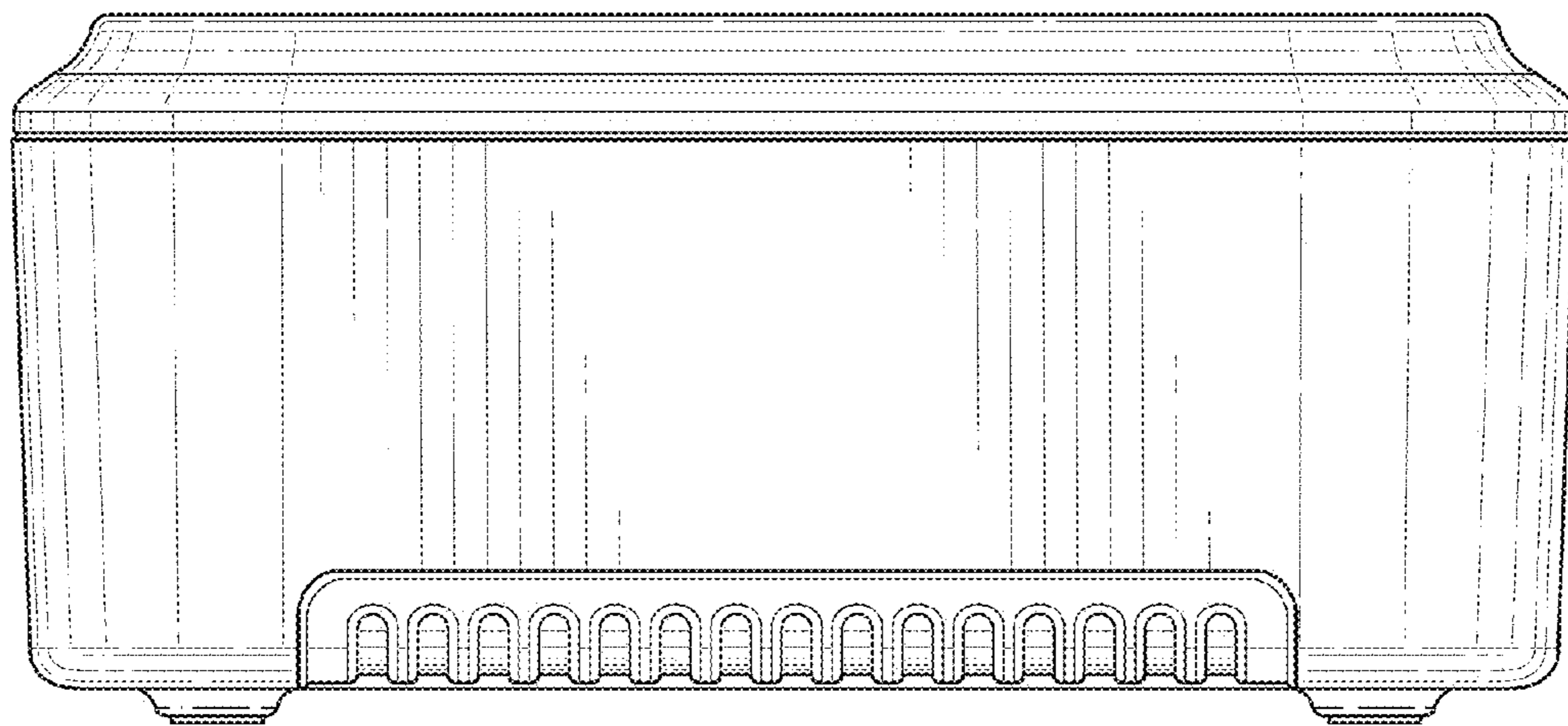


FIG. 7