



US00D749033S

(12) **United States Design Patent**
Yamamoto

(10) **Patent No.:** **US D749,033 S**
(45) **Date of Patent:** **** Feb. 9, 2016**

- (54) **WATER SCOOTER**
- (71) Applicant: **Hisashi Yamamoto**, Kyoto (JP)
- (72) Inventor: **Hisashi Yamamoto**, Kyoto (JP)
- (73) Assignee: **YAMAHA HATSUDOKI KABUSHIKI KAISHA** (JP)
- (**) Term: **14 Years**
- (21) Appl. No.: **29/486,736**
- (22) Filed: **Apr. 2, 2014**

Related U.S. Application Data

- (63) Continuation of application No. 29/471,761, filed on Nov. 5, 2013, now abandoned, which is a continuation of application No. 29/440,746, filed on Dec. 27, 2012, now abandoned.
- (51) **LOC (10) Cl.** **12-06**
- (52) **U.S. Cl.**
USPC **D12/307**
- (58) **Field of Classification Search**
USPC D12/6-11, 300-318; 114/55.5, 114/55.51-55.58, 345; D21/770; 440/1, 2, 440/42, 89 R
CPC B63B 35/73; B63B 35/731; F02B 61/045
See application file for complete search history.

(56) **References Cited**

U.S. PATENT DOCUMENTS

| | | | |
|----------------|---------|----------------------|-----------|
| D462,644 S * | 9/2002 | Aselton et al. | D12/307 |
| D464,016 S | 10/2002 | Orr et al. | D12/307 |
| D464,926 S | 10/2002 | Mizuta et al. | D12/307 |
| D494,529 S * | 8/2004 | Cassell et al. | D12/307 |
| 6,880,475 B1 * | 4/2005 | Thompson | 114/55.55 |
| D513,225 S | 12/2005 | Omae et al. | D12/307 |
| D516,006 S | 2/2006 | Bucaccio et al. | D12/307 |
| 7,018,251 B2 * | 3/2006 | Iwakami et al. | 440/42 |
| 7,052,343 B2 * | 5/2006 | Ozaki et al. | 440/89 R |
| 7,163,425 B2 * | 1/2007 | Kamio | 440/1 |

| | | | |
|-------------------|---------|-------------------------|-----------|
| D550,603 S | 9/2007 | Cote et al. | D12/307 |
| D558,122 S | 12/2007 | Tanaka et al. | D12/307 |
| D569,330 S | 5/2008 | Hattori et al. | D12/307 |
| D569,781 S | 5/2008 | Hattori et al. | D12/307 |
| D575,720 S | 8/2008 | Kato et al. | D12/307 |
| D603,319 S | 11/2009 | Cote et al. | D12/307 |
| D608,719 S | 1/2010 | Cote et al. | D12/307 |
| 7,699,010 B2 | 4/2010 | Spade | 114/55.57 |
| 7,856,937 B2 * | 12/2010 | Chapdelaine et al. | 114/55.5 |
| D630,152 S | 1/2011 | Yamamoto | D12/307 |
| D632,632 S | 2/2011 | Cote | D12/307 |
| D637,544 S | 5/2011 | Cote et al. | D12/307 |
| D650,317 S | 12/2011 | Yamamoto | D12/307 |
| D686,967 S | 7/2013 | Yamamoto | |
| 8,505,475 B2 * | 8/2013 | Otsuka et al. | 114/55.5 |
| D693,286 S | 11/2013 | Cote | D12/307 |
| 2004/0007167 A1 | 1/2004 | Cassell | 114/55.57 |
| 2004/0168622 A1 | 9/2004 | Thompson | 114/55.5 |
| 2006/0040570 A1 | 2/2006 | Tsumiyama | 440/2 |
| 2009/0194010 A1 * | 8/2009 | Spade et al. | 114/55.57 |
| 2012/0180715 A1 * | 7/2012 | Otsuka et al. | 114/363 |

* cited by examiner

Primary Examiner — Cynthia M Chin

(74) *Attorney, Agent, or Firm* — Ostrolenk Faber LLP

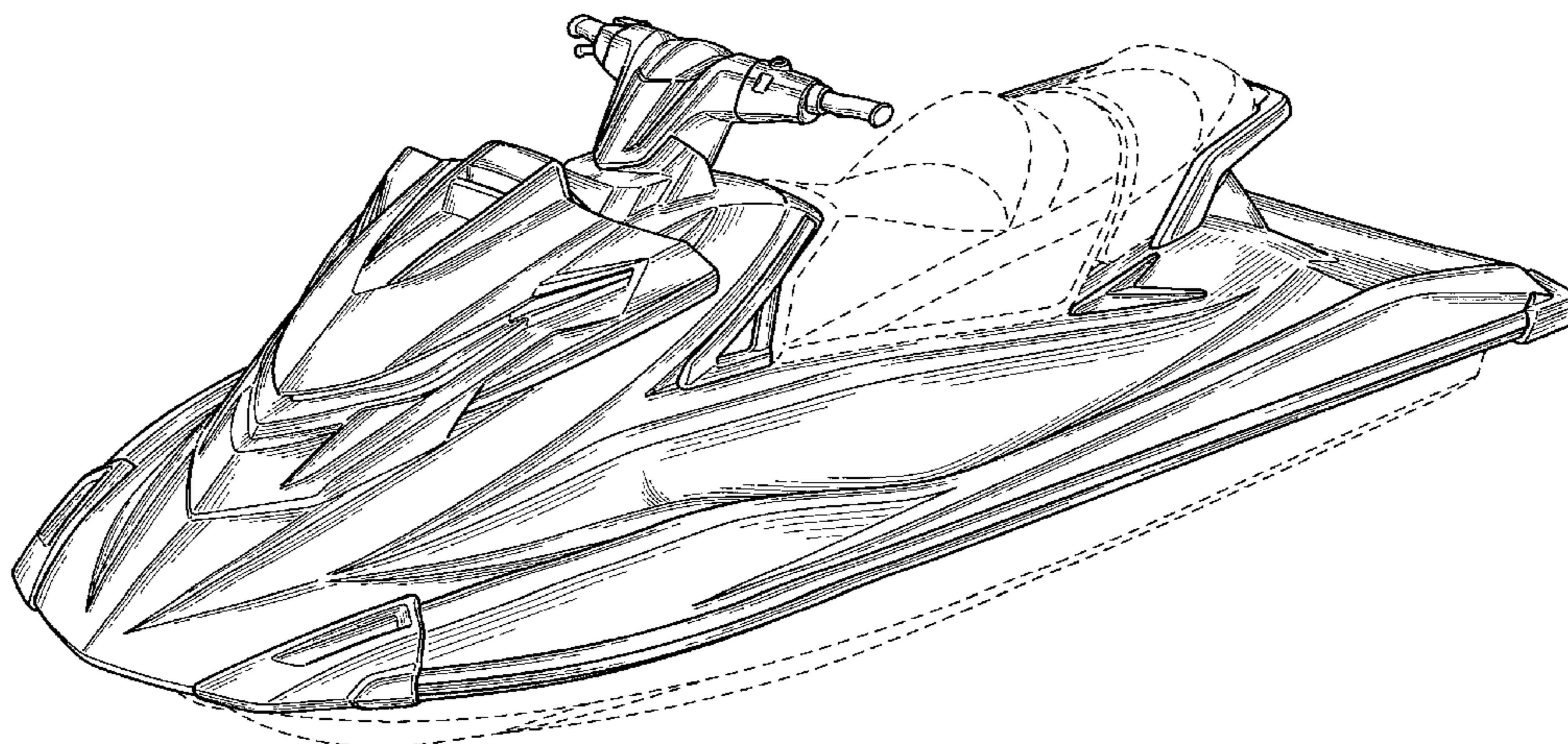
(57) **CLAIM**

The ornamental design for a water scooter, as shown and described.

DESCRIPTION

FIG. 1 is a front, right side, perspective view of a water scooter showing my new design;
 FIG. 2 is a rear, left side, perspective view thereof;
 FIG. 3 is a front view thereof;
 FIG. 4 is a rear view thereof;
 FIG. 5 is a left side view thereof;
 FIG. 6 is a right side view thereof;
 FIG. 7 is a top view thereof; and,
 FIG. 8 is a bottom view thereof.
 The broken lines in the drawings illustrate environmental material that forms no part of the claimed design.

1 Claim, 8 Drawing Sheets



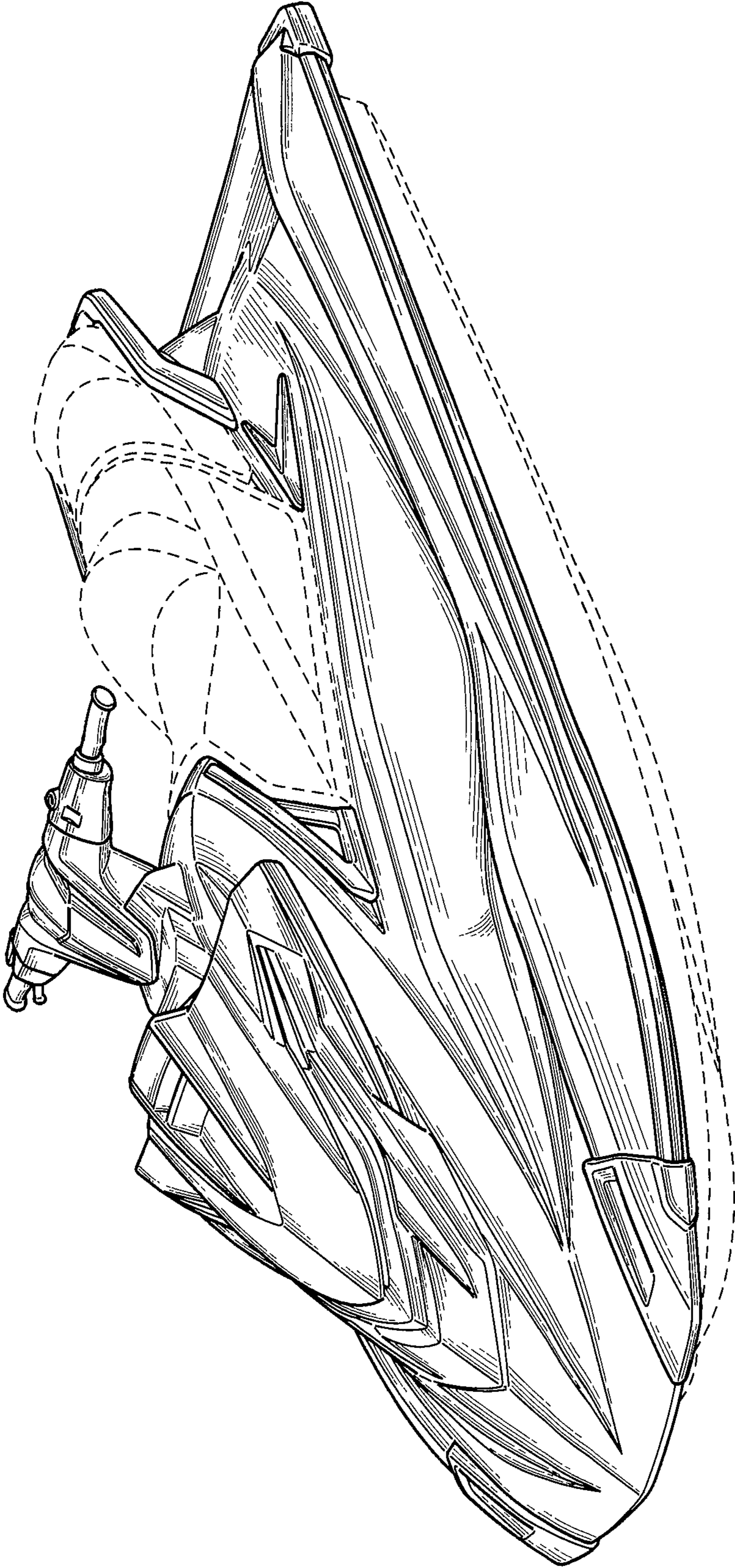


FIG. 1

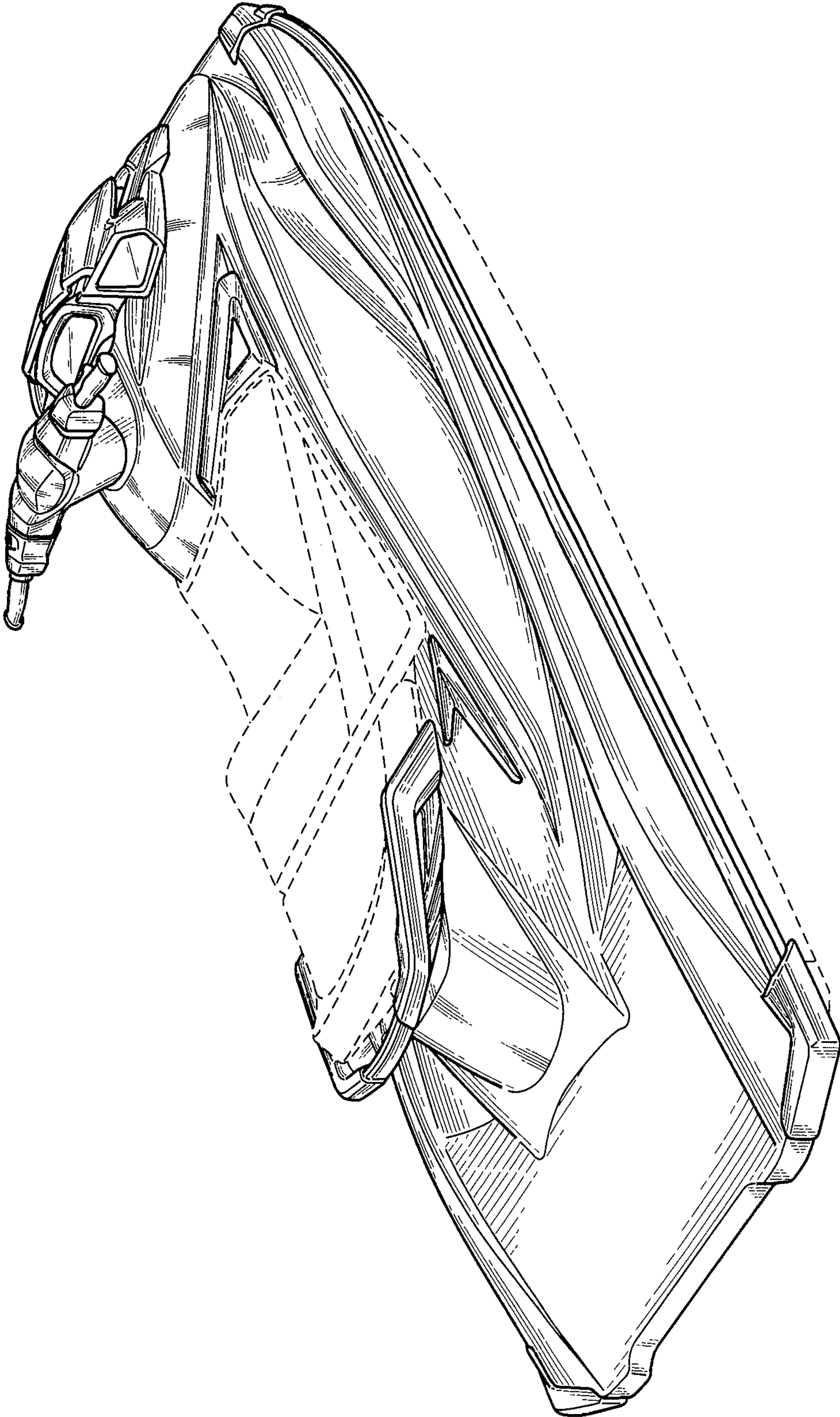


FIG. 2

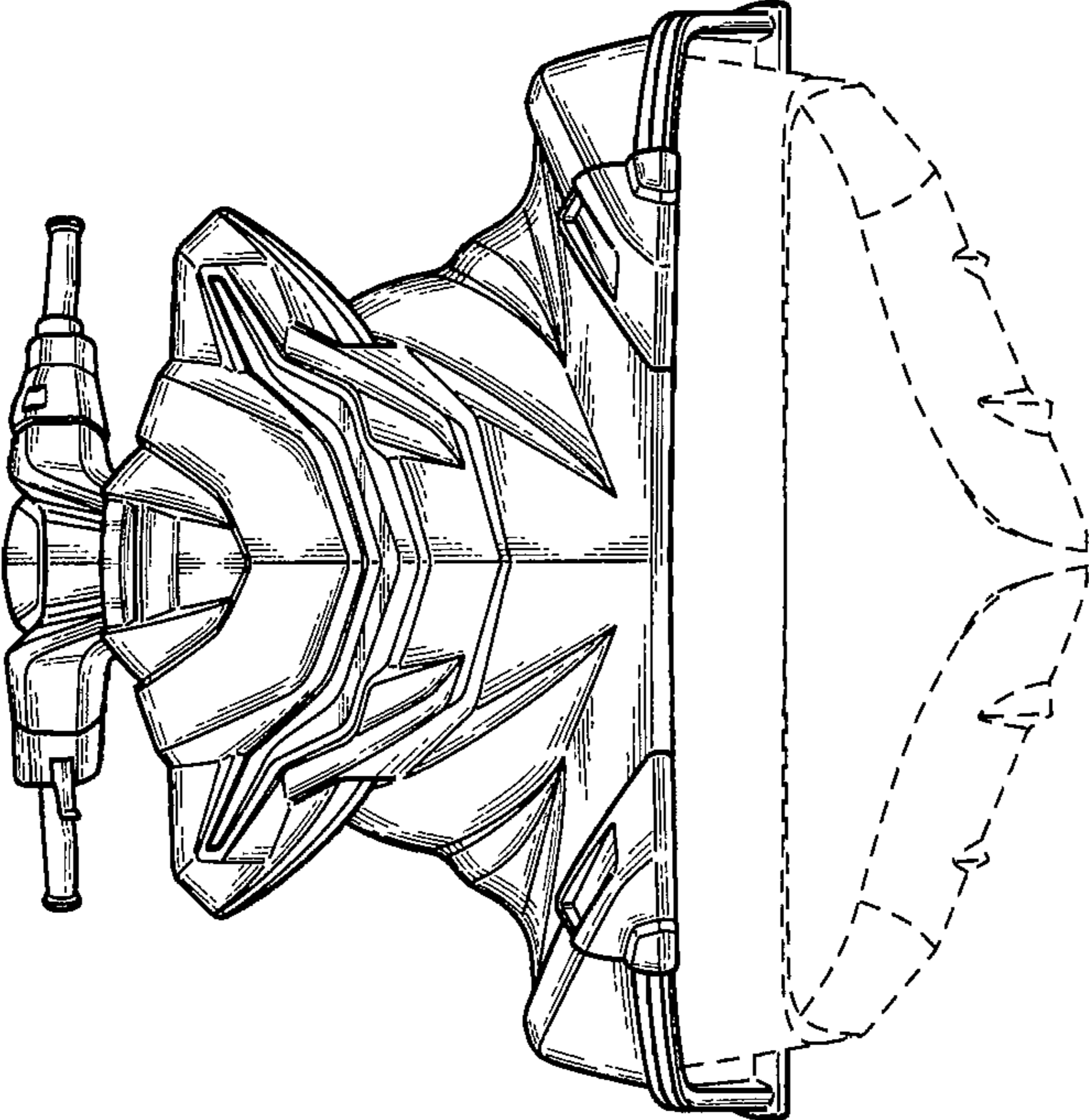


FIG. 3

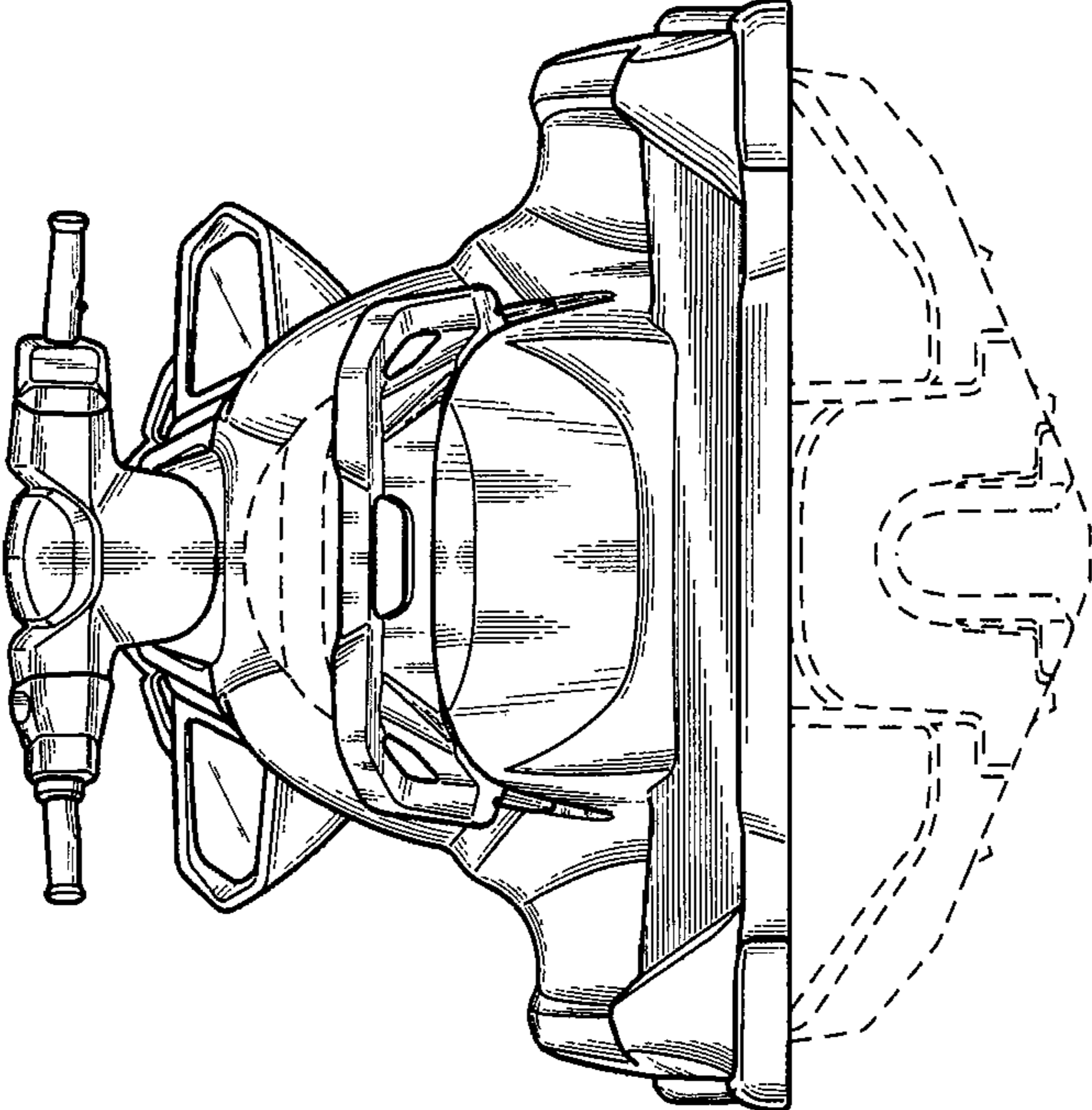


FIG. 4

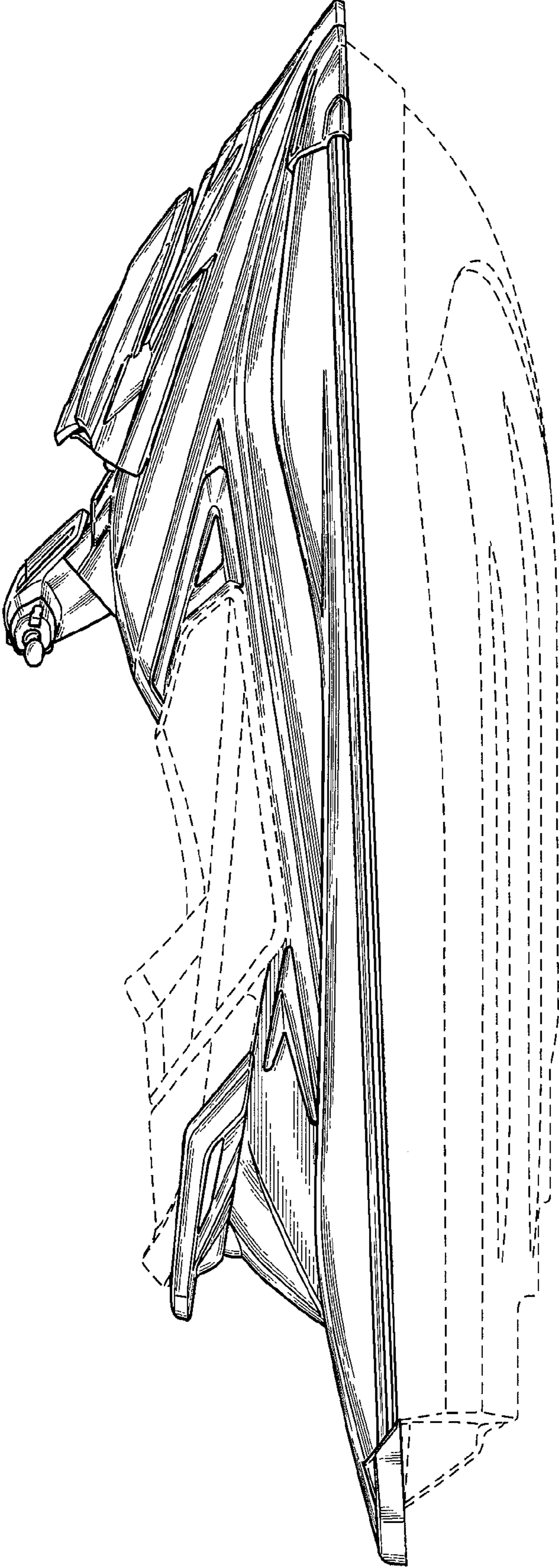


FIG. 5

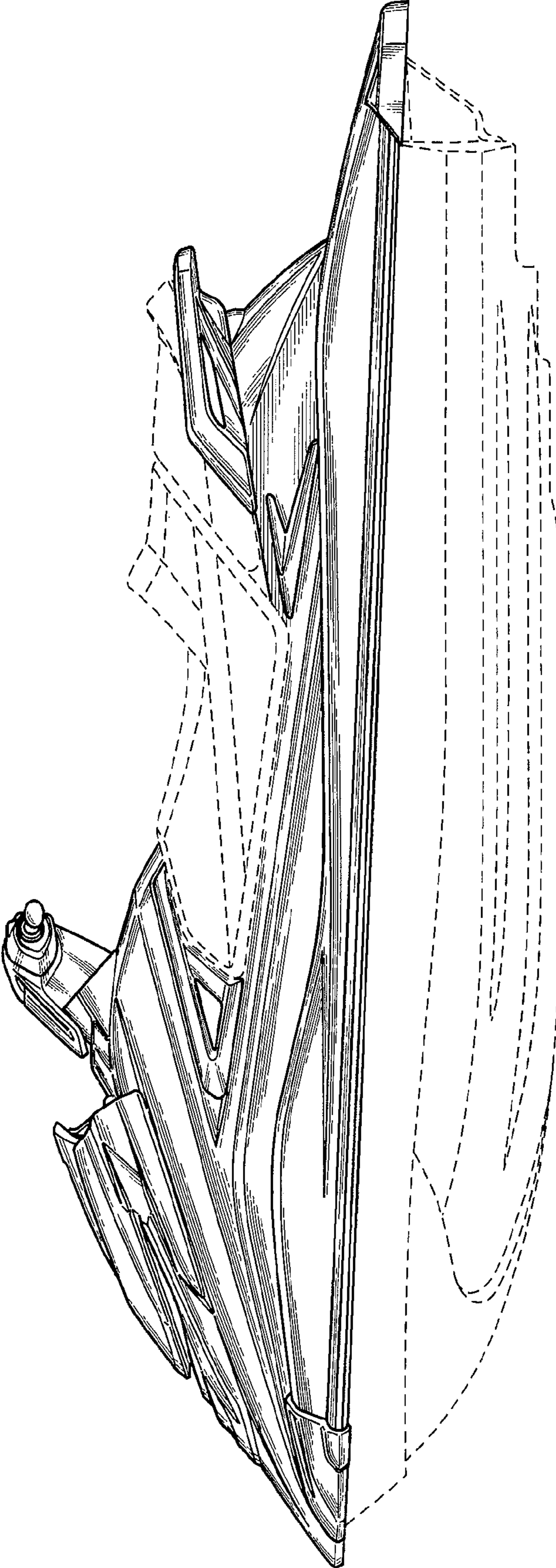


FIG. 6

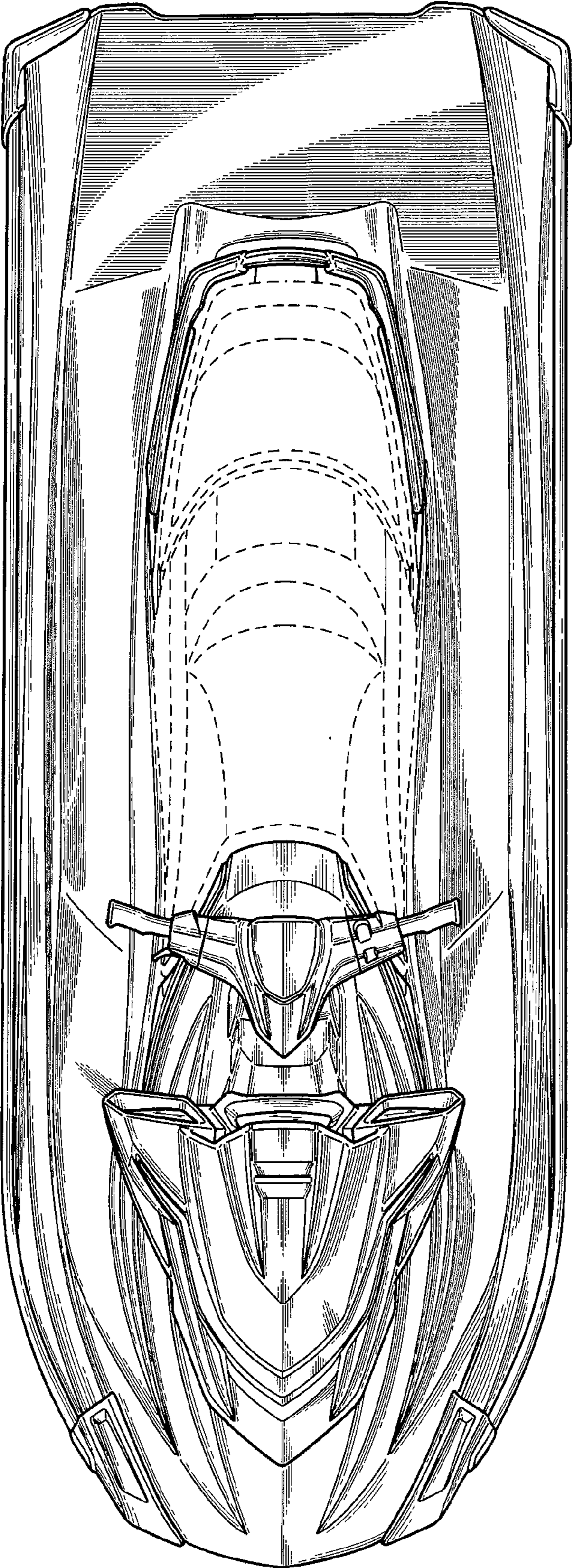


FIG. 7

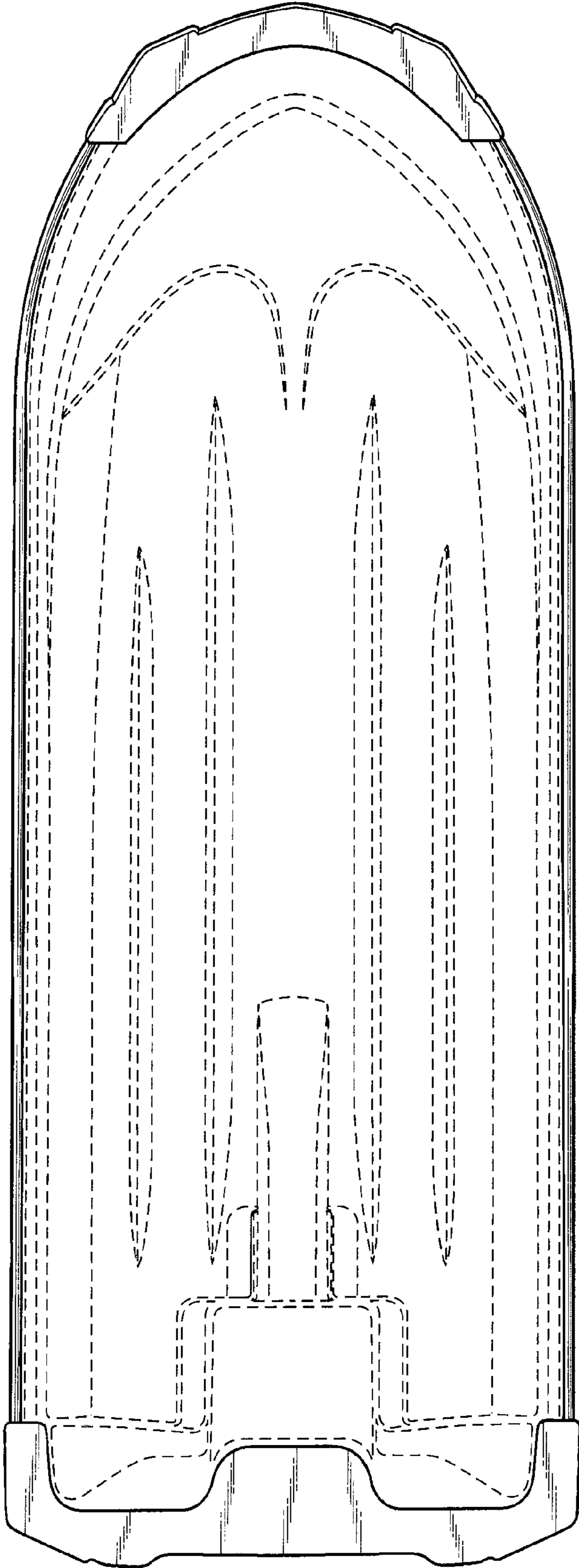


FIG. 8