

US00D749032S

(12) **United States Design Patent**
Boyce

(10) **Patent No.:** **US D749,032 S**
(45) **Date of Patent:** **** Feb. 9, 2016**

- (54) **GOLF CART LIFT**
- (71) Applicant: **Red Hawk LLC**, Baltimore, MD (US)
- (72) Inventor: **E. Gillet Boyce**, Baltimore, MD (US)
- (73) Assignee: **RED HAWK LLC**, Baltimore, MD (US)
- (**) Term: **14 Years**
- (21) Appl. No.: **29/479,685**
- (22) Filed: **Jan. 17, 2014**
- (51) **LOC (10) Cl.** **12-06**
- (52) **U.S. Cl.**
USPC **D12/223**; D12/16
- (58) **Field of Classification Search**
USPC D12/223, 16, 400; D8/354, 355, 499;
D15/199
CPC B62D 21/00; B62D 21/02; B62D 21/11;
B62D 21/183; B62D 21/12; B62K 2005/001;
B62K 2005/002
See application file for complete search history.

- D626,401 S * 11/2010 Landy D8/356
- 8,132,821 B2 * 3/2012 Buschjohann et al. 280/124.109
- 2002/0113399 A1 * 8/2002 Fehler et al. 280/124.165
- 2007/0145816 A1 * 6/2007 Gile 301/132
- 2015/0001894 A1 * 1/2015 Outen et al. 296/204

OTHER PUBLICATIONS

Rhox 6" BMF A-Arm Lift Kit for Yamaha Drive | Golf Cart Tire Supply, Image post date Unknown, site visited on May 26, 2015 (online), <<http://www.golfcarttiresupply.com/rhox-6-bmf-a-arm-lift-kit-for-yamaha-drive-golf-carts/>>.*

* cited by examiner

Primary Examiner — Sheryl Lane
Assistant Examiner — Ieisha Price

(74) *Attorney, Agent, or Firm* — MILES & STOCKBRIDGE P.C.; David R. Schaffer

(57) **CLAIM**

The ornamental design for a golf cart lift, as shown and described.

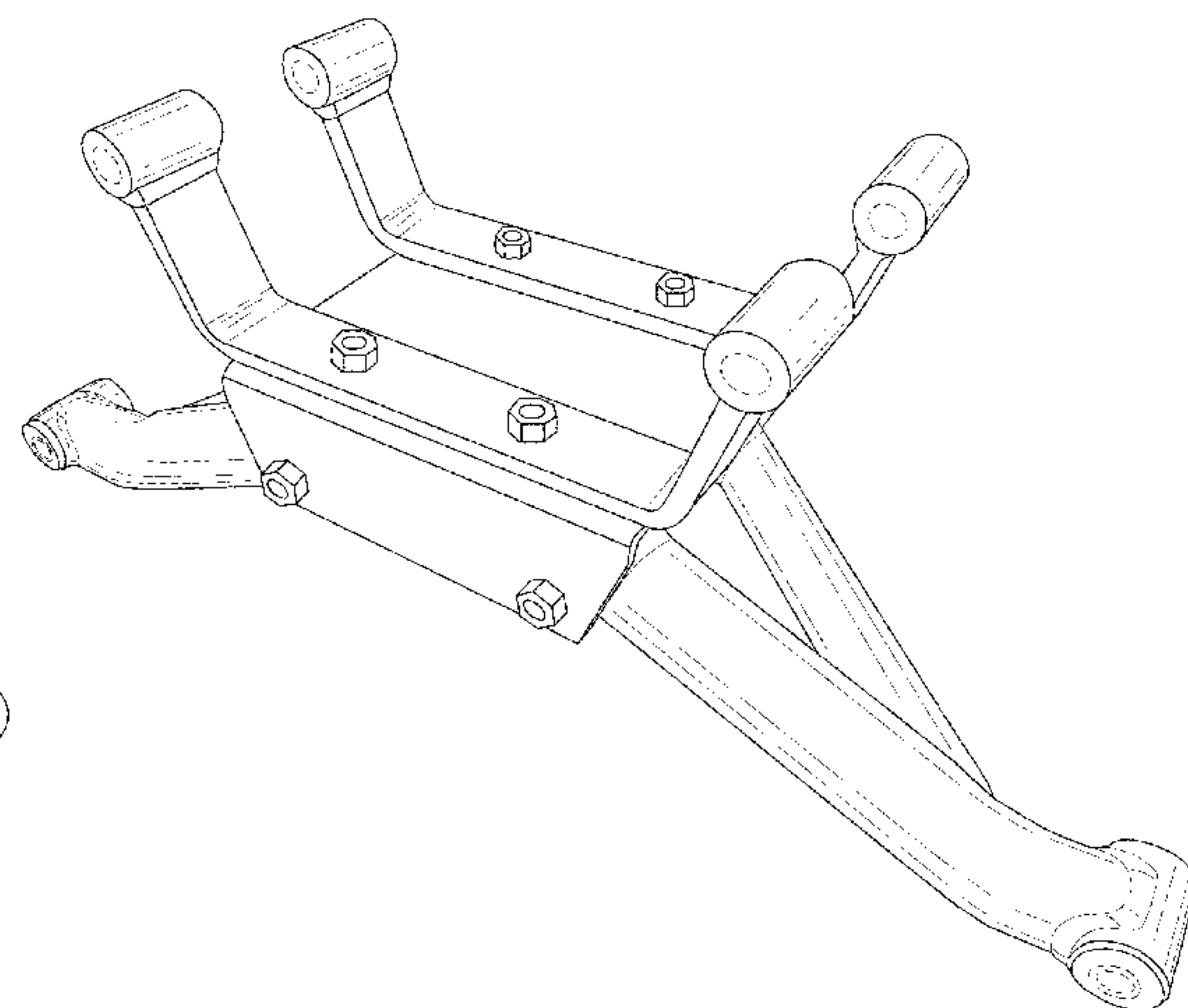
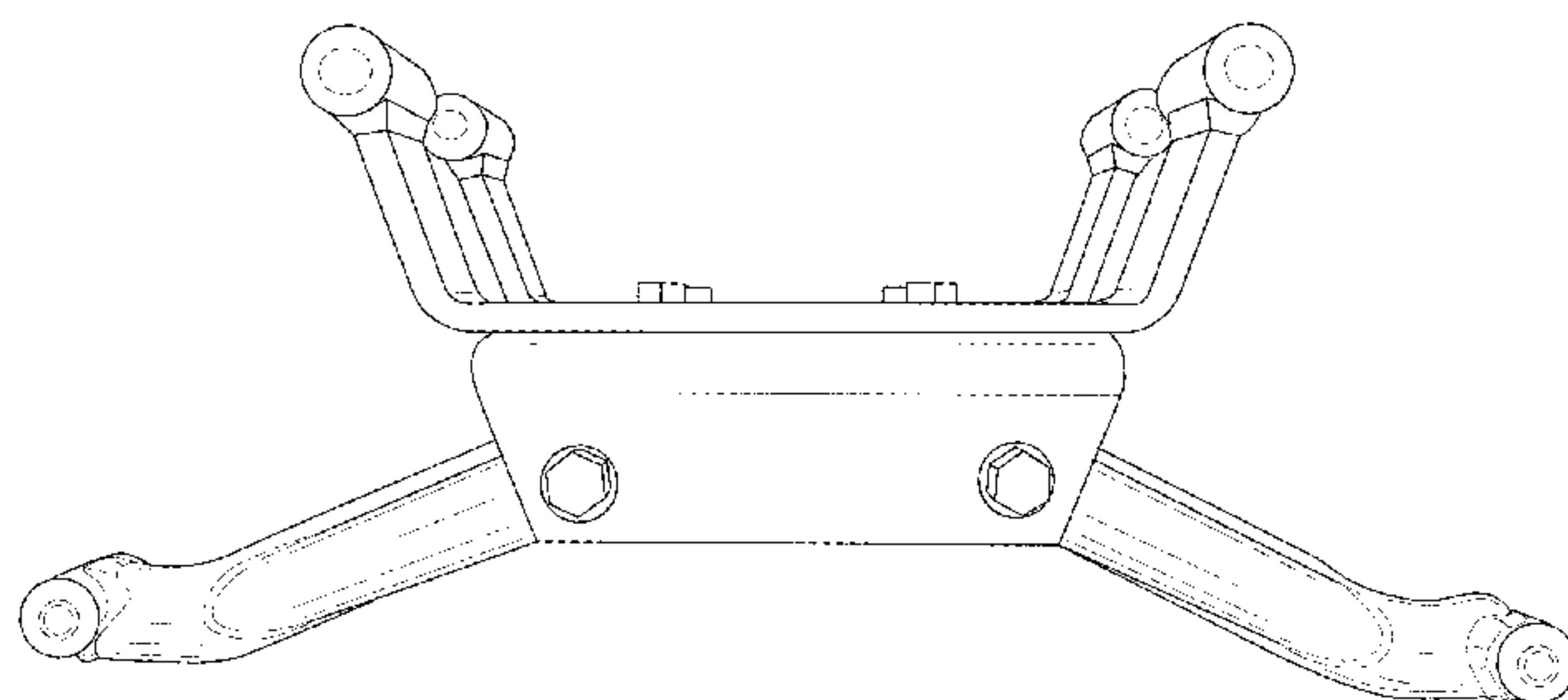
DESCRIPTION

FIG. 1 is a front view of the golf cart lift.
FIG. 2 is a top view of the golf cart lift.
FIG. 3 is a bottom view of the golf cart lift.
FIG. 4 is a back view of the golf cart lift.
FIG. 5 is a front perspective view of the golf cart lift;
FIG. 6 is an enlarged left side view of the golf cart lift; and,
FIG. 7 is an enlarged right side view of the golf cart lift.
The broken lines are included for the purpose of illustrating portions of the golf cart lift and form no part of the claimed design.

1 Claim, 7 Drawing Sheets

(56) **References Cited**
U.S. PATENT DOCUMENTS

- D160,669 S * 10/1950 Smith D8/394
- D222,234 S * 10/1971 Imber D8/355
- D246,957 S * 1/1978 Morrison et al. D10/103
- D315,863 S * 4/1991 Shui-Mu D8/380
- D357,172 S * 4/1995 Hsu D8/354
- D389,097 S * 1/1998 Lavender et al. D12/114
- D399,514 S * 10/1998 Shimada D15/199
- 5,823,287 A * 10/1998 Chidamparam et al. 180/377
- D445,668 S * 7/2001 Hills, Sr. D8/354
- D460,682 S * 7/2002 Conner et al. D8/354
- D610,952 S * 3/2010 Noble et al. D12/159



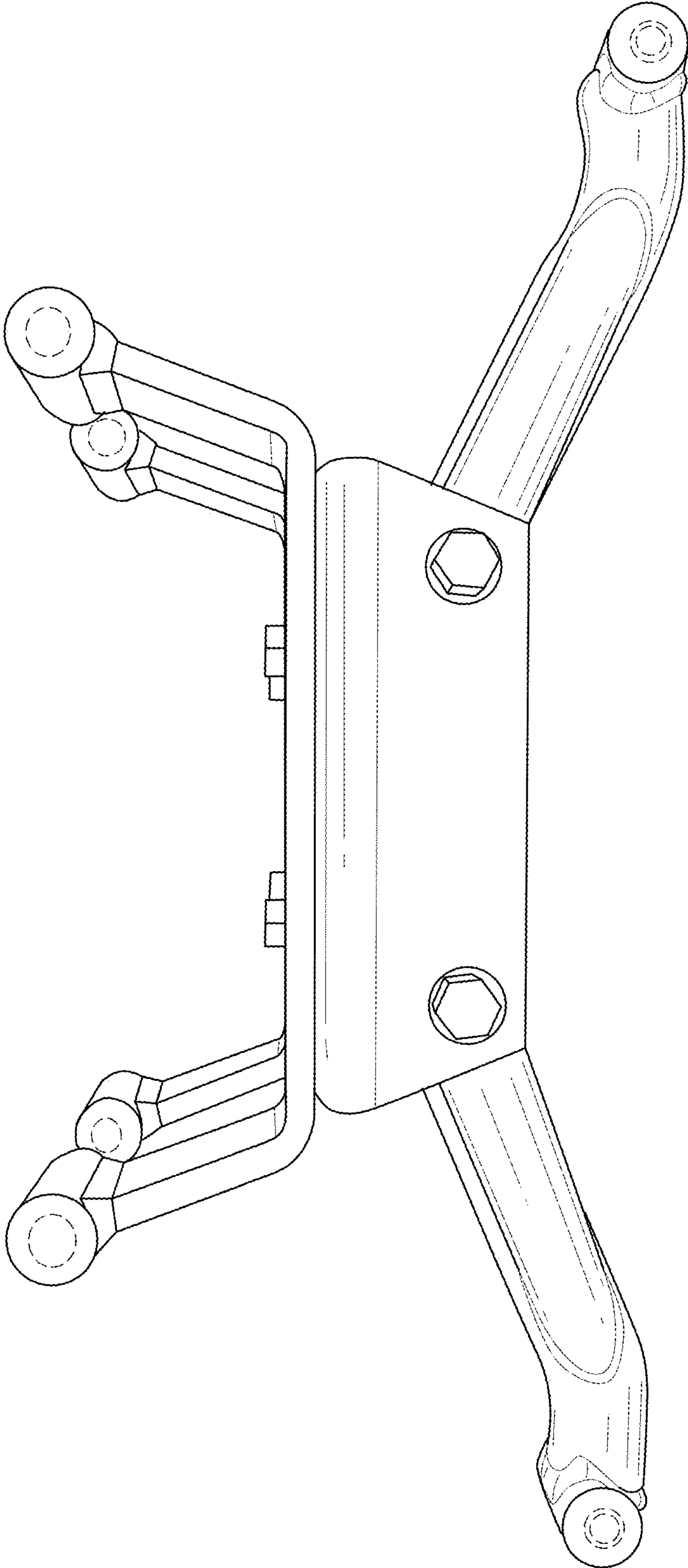


FIG. 1

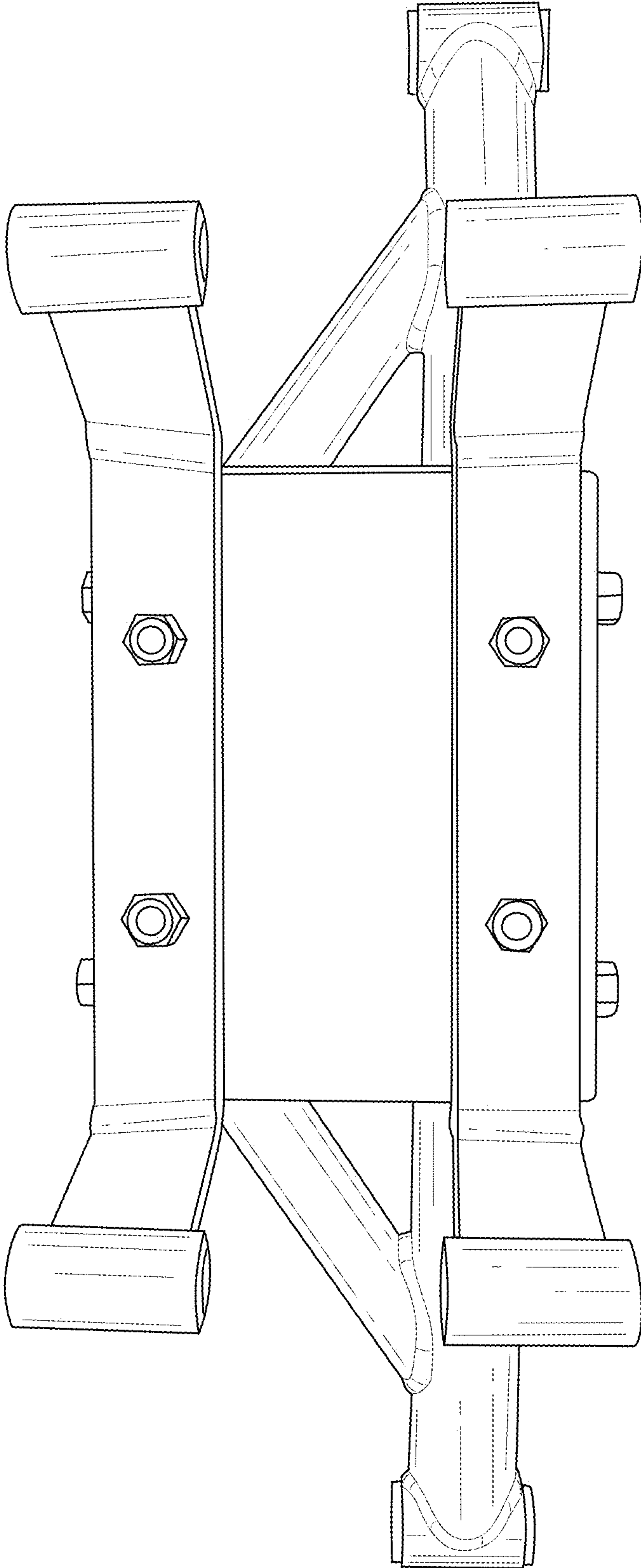


FIG. 2

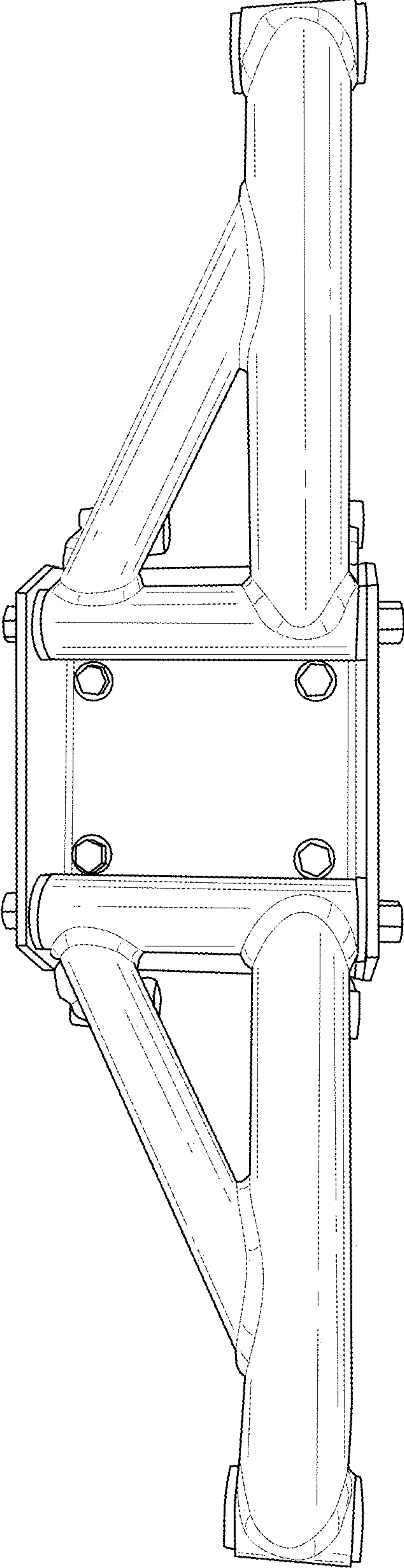


FIG. 3

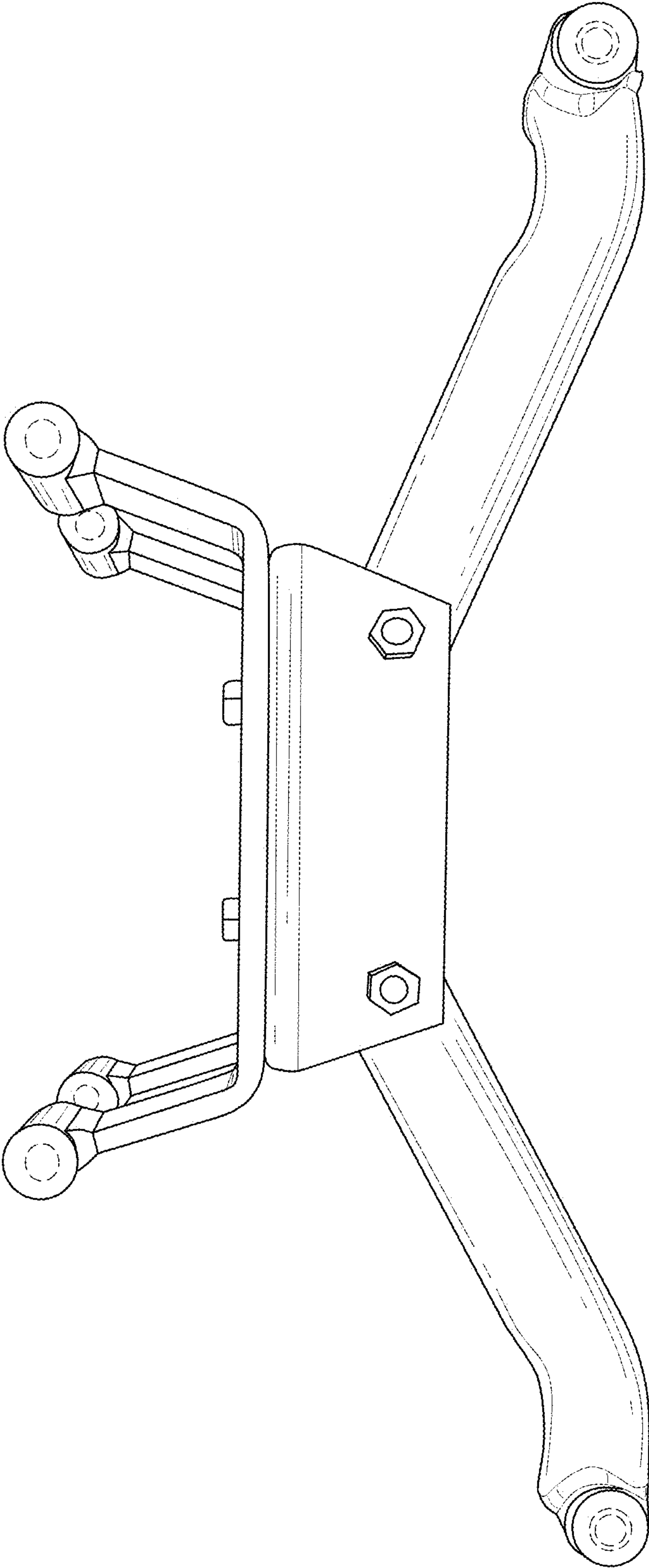


FIG. 4

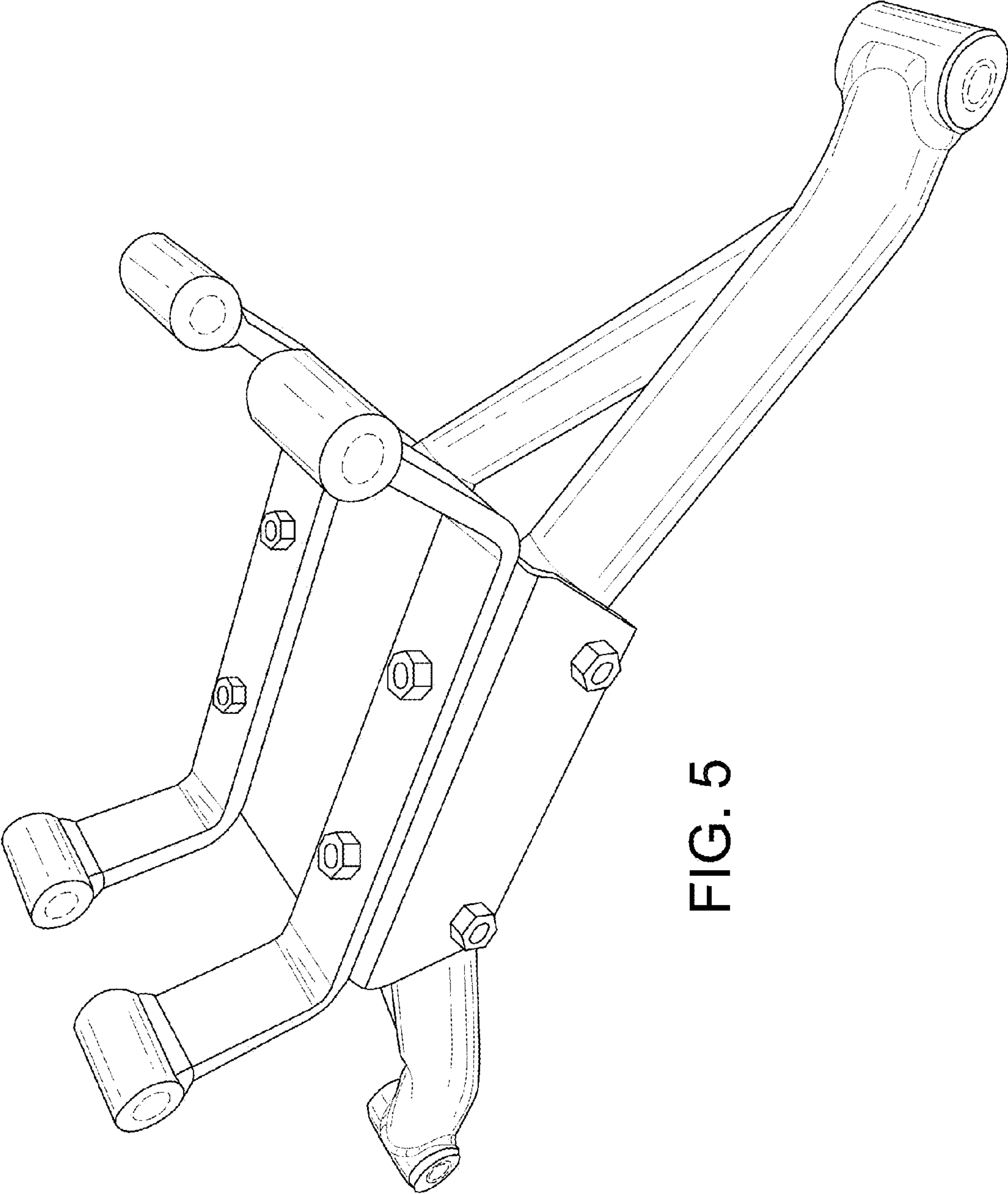


FIG. 5

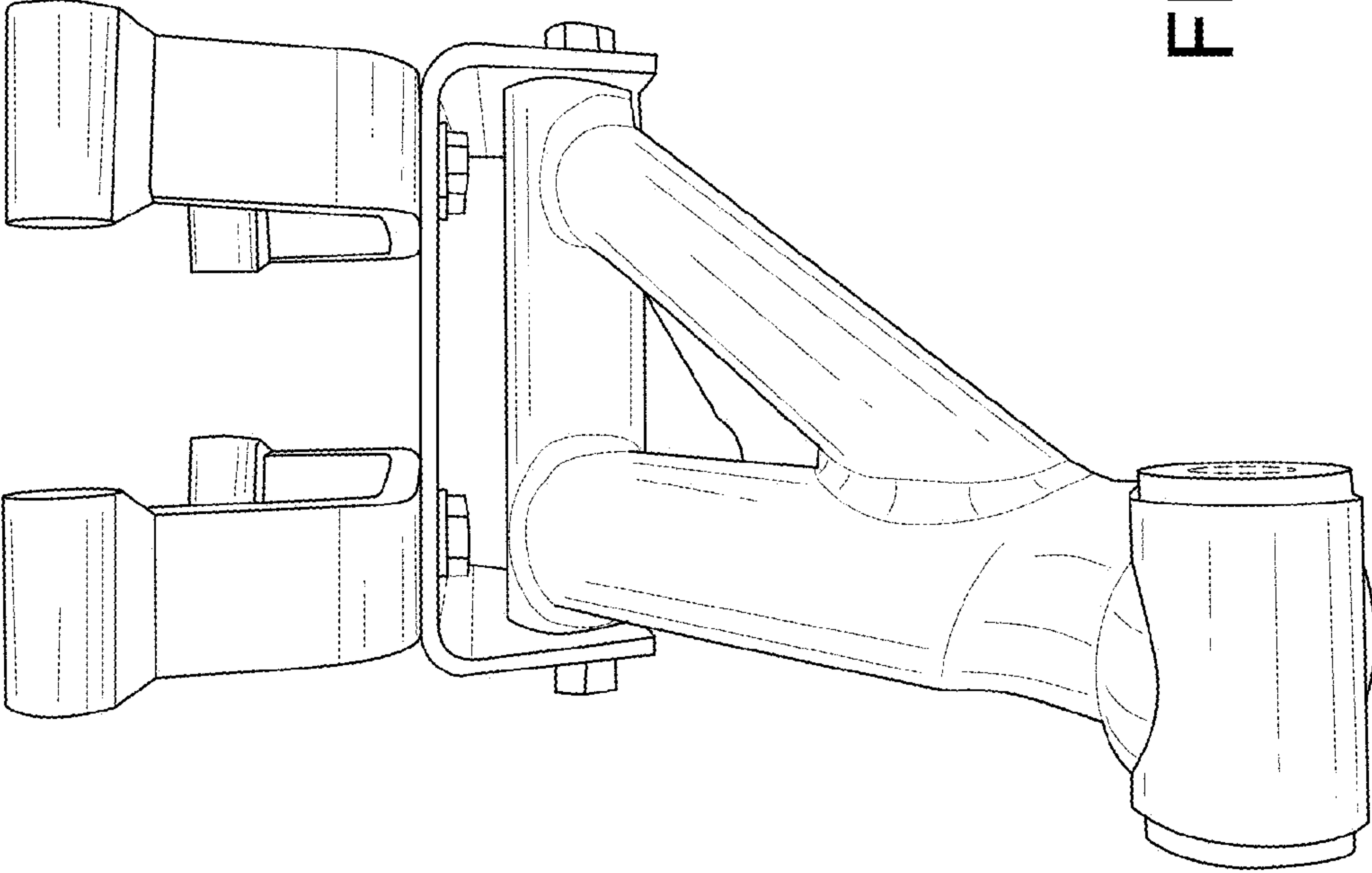


FIG. 6

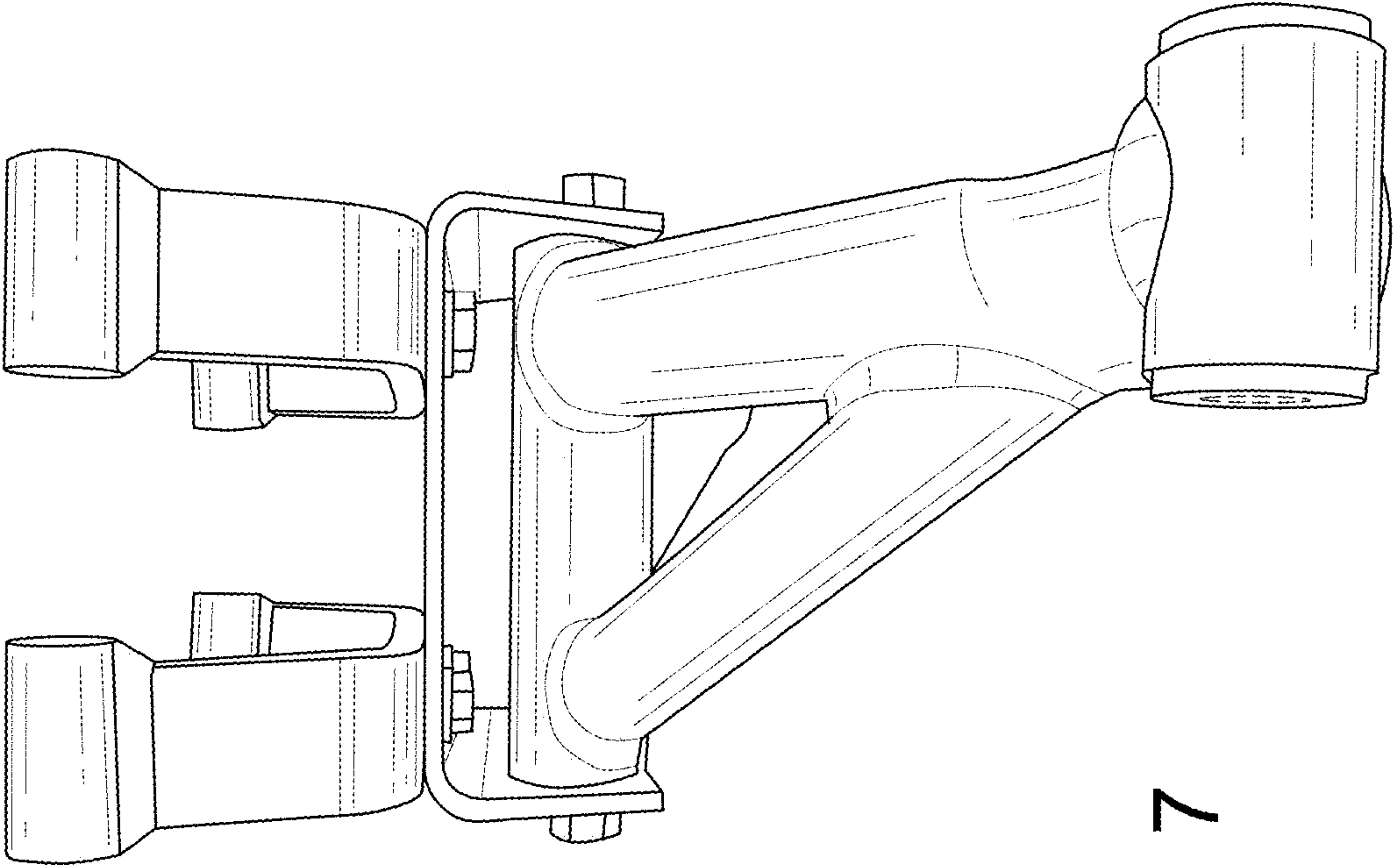


FIG. 7