



US00D749024S

(12) **United States Design Patent**  
**Heinz**

(10) **Patent No.:** **US D749,024 S**

(45) **Date of Patent:** **\*\* Feb. 9, 2016**

(54) **MOTORCYCLE HANDLEBAR**

(71) Applicant: **Kevin David Heinz**, Briarcliff, TX (US)

(72) Inventor: **Kevin David Heinz**, Briarcliff, TX (US)

(\*\*) Term: **14 Years**

(21) Appl. No.: **29/495,986**

(22) Filed: **Jul. 8, 2014**

(51) **LOC (10) Cl.** ..... **12-11**

(52) **U.S. Cl.**  
USPC ..... **D12/178**

(58) **Field of Classification Search**  
USPC ..... D12/111, 114, 178; D8/303; 74/502.2,  
74/551.1-551.8; 280/274, 281.1, 288.4  
CPC ..... B62K 19/16; B62K 21/12; B62K 21/18;  
B62K 21/125; B62K 23/06  
See application file for complete search history.

(56) **References Cited**

**U.S. PATENT DOCUMENTS**

D223,072 S *	3/1972	Pawsat .....	D12/178
D224,696 S *	8/1972	Pawsat .....	D12/178
D317,284 S *	6/1991	McMurtrey .....	D12/178
5,257,552 A *	11/1993	Boyer et al. ....	74/551.1
D342,475 S *	12/1993	Haro .....	D12/178
D393,438 S *	4/1998	Cartwright .....	D12/178
D542,197 S *	5/2007	Carlini .....	D12/178
7,350,437 B2 *	4/2008	Mangano et al. ....	74/551.1
D572,181 S *	7/2008	Lujan .....	D12/178
D604,212 S *	11/2009	Carlini .....	D12/178
D612,307 S *	3/2010	Lujan .....	D12/178
D621,755 S *	8/2010	Carlini .....	D12/178
D629,343 S *	12/2010	Carlini .....	D12/178
D639,211 S *	6/2011	Lujan .....	D12/110

(Continued)

**OTHER PUBLICATIONS**

Street Glide Bagger Bend Full Crush Tube Handlebar as found on web site address "http://www.motorcyclebilletbling.com/STREET-GLIDE-BAGGER-BEND-FULL-CRUSH-TUBE-HANDLEBAR-RMHD-SGFCBBHB.htm" date unknown.

Road Glide Full Crush Tube Handlebars as found on web site address "http://www.motorcyclebilletbling.com/ROAD-GLIDE-FULL-CRUSH-TUBE-HANDLEBARS-RMHD-RGFCHB.htm" date unknown.

(Continued)

*Primary Examiner* — Philip S Hyder

*Assistant Examiner* — Darlington Ly

(74) *Attorney, Agent, or Firm* — Meyertons, Hood, Kivlin, Kowert & Goetzel, P.C.; Eric B. Meyertons

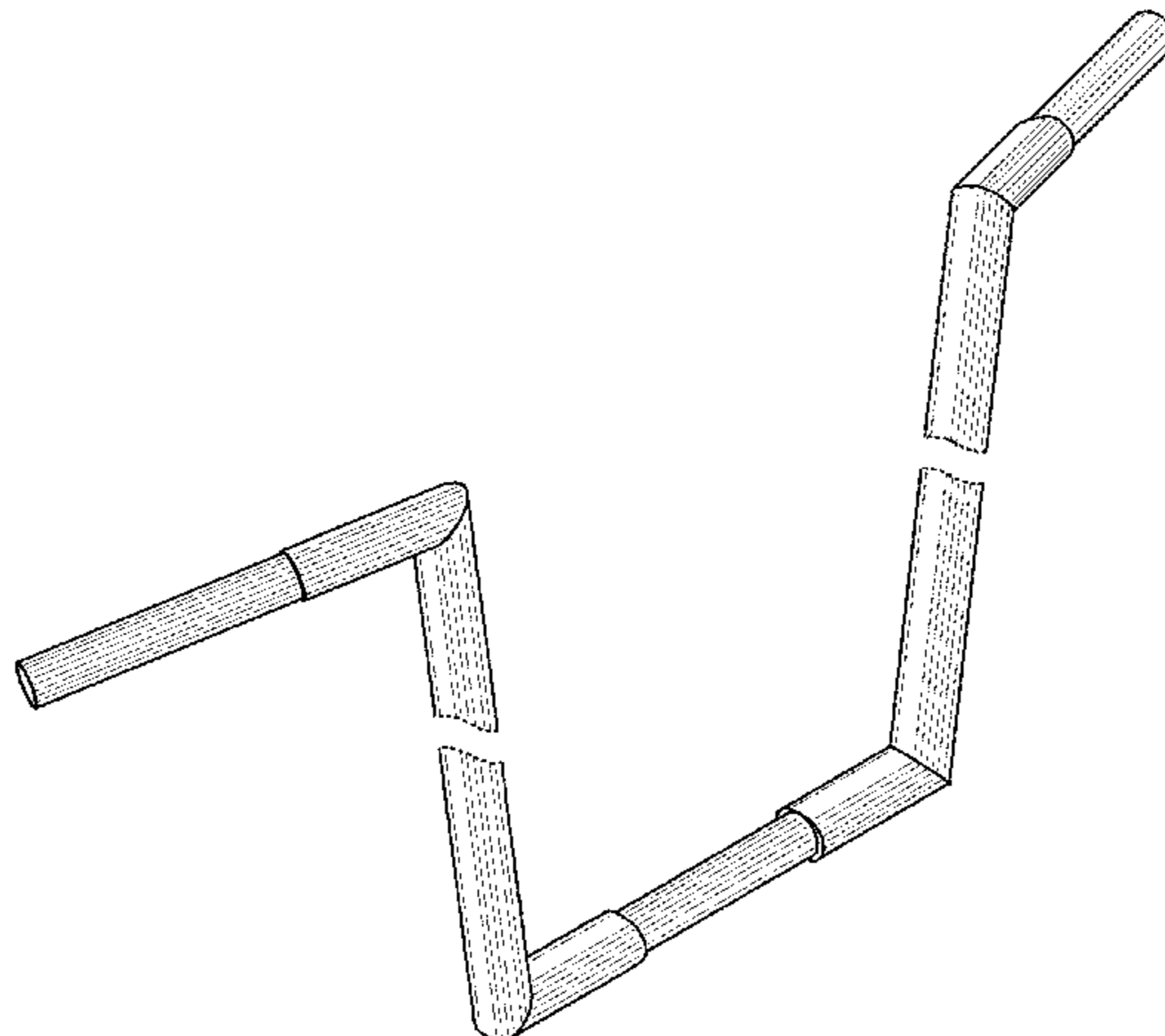
(57) **CLAIM**

The ornamental design for a motorcycle handlebar, as shown and described.

**DESCRIPTION**

FIG. 1 is a front and right-side perspective view of a motorcycle handlebar;  
FIG. 2 is a rear and left-side perspective view thereof;  
FIG. 3 is a left-side elevation view thereof;  
FIG. 4 is a rear elevation view thereof;  
FIG. 5 is a right-side elevation view thereof;  
FIG. 6 is a front elevation view thereof;  
FIG. 7 is a top plan view thereof;  
FIG. 8 is a bottom plan view thereof;  
FIG. 9 is a cross-sectional view thereof, wherein the cut line is taken at 9-9 in FIG. 4;  
FIG. 10 is a cross-sectional view thereof, wherein the cut line is taken at 10-10 in FIG. 4;  
FIG. 11 is a cross-sectional view thereof, wherein the cut line is taken at 11-11 in FIG. 6;  
FIG. 12 is a cross-sectional view thereof, wherein the cut line is taken at 12-12 in FIG. 6;  
FIG. 13 is a cross-sectional view thereof, wherein the cut line is taken at 13-13 in FIG. 7; and,  
FIG. 14 is a cross-sectional view thereof, wherein the cut line is taken at 14-14 in FIG. 7.  
In FIGS. 1-6 and 9-14, the motorcycle handlebar is shown with a symbolic break in its length. The broken lines and the appearance of any portion of the article between the break lines form no part of the claimed design.

**1 Claim, 6 Drawing Sheets**



(56)

**References Cited**

U.S. PATENT DOCUMENTS

D664,079 S \* 7/2012 Lujan ..... D12/178  
D687,753 S \* 8/2013 Carlini ..... D12/178  
D689,418 S \* 9/2013 Menefee ..... D12/178

2012/0210821 A1\* 8/2012 Carlini ..... 74/551.8

OTHER PUBLICATIONS

Co-pending Design U.S. Appl. No. 29/495,987 entitled "Motorcycle Handlebar" to Heinz filed Jul. 8, 2014.

\* cited by examiner

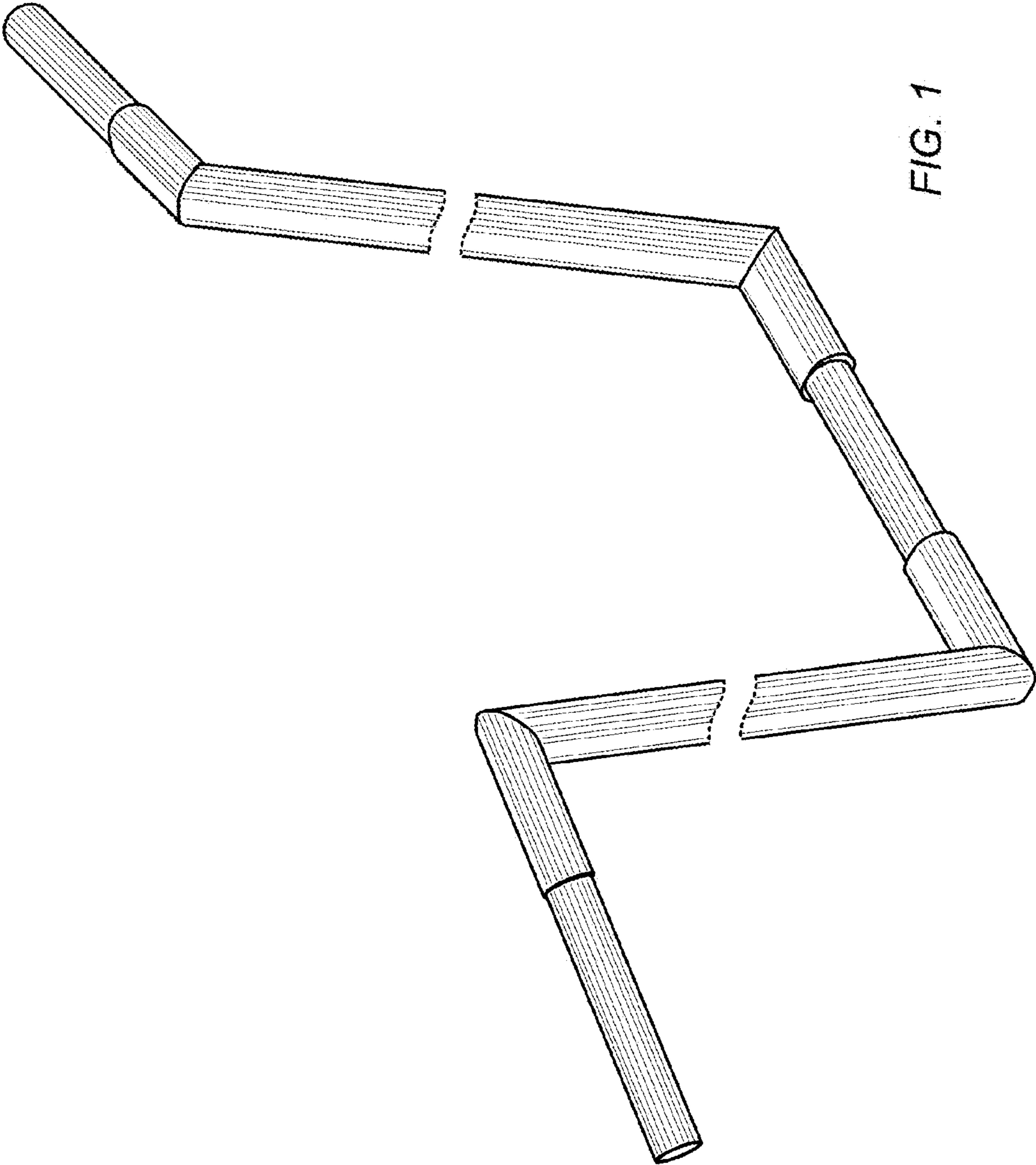


FIG. 1

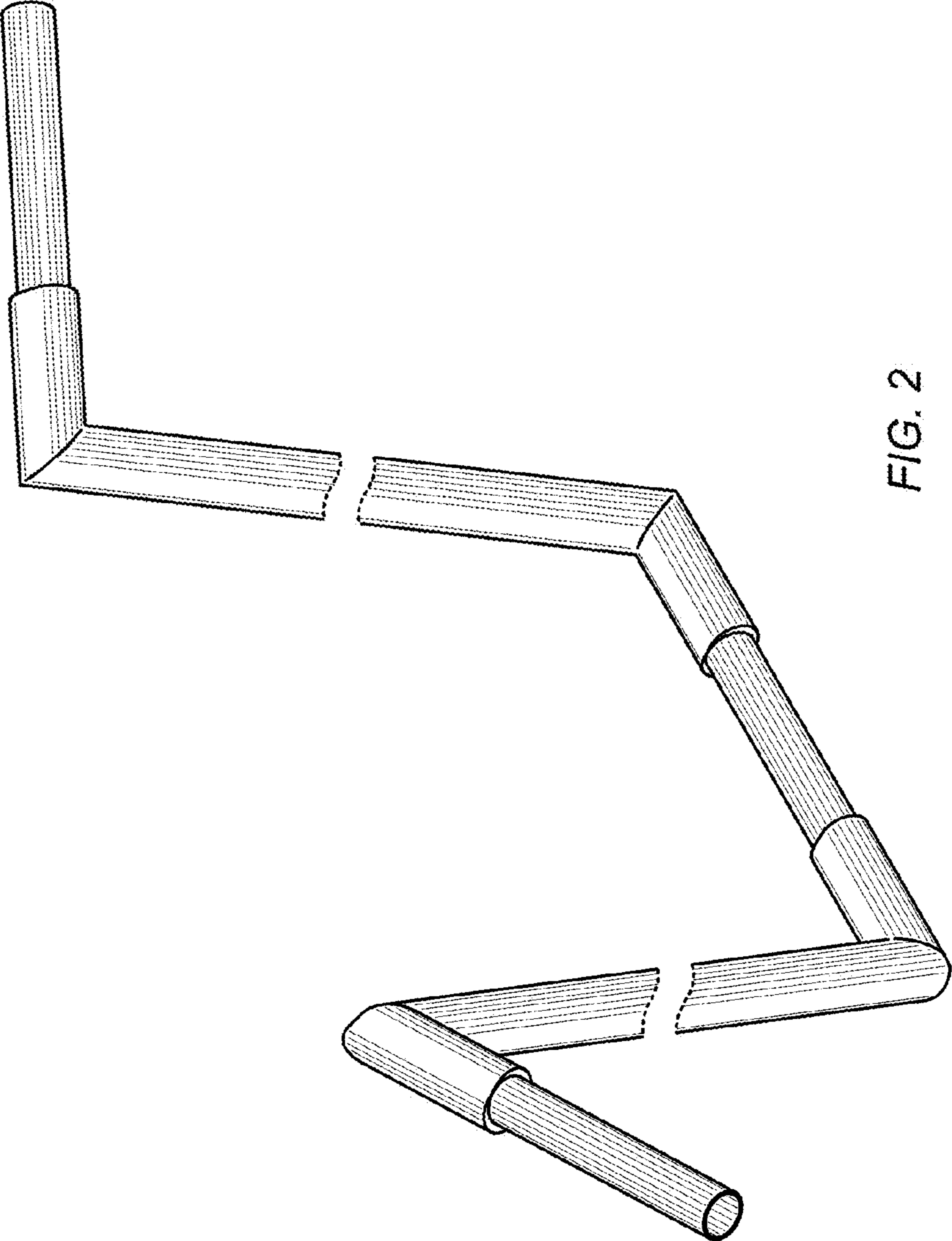


FIG. 2

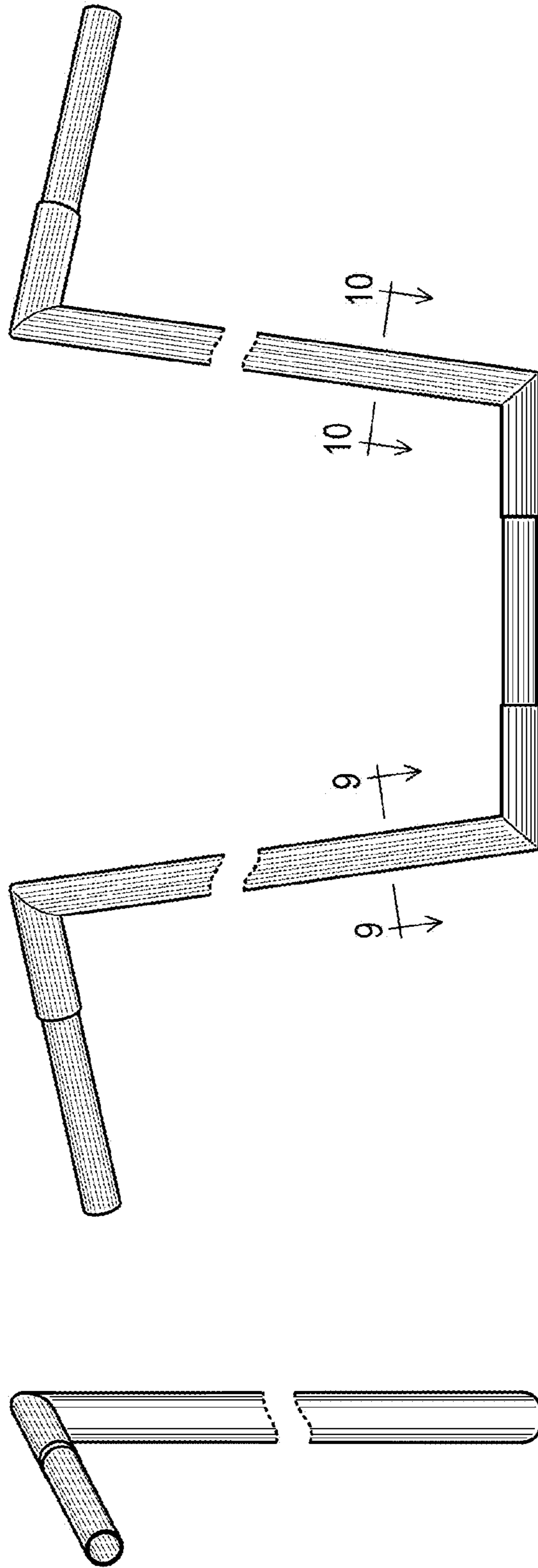


FIG. 4

FIG. 3

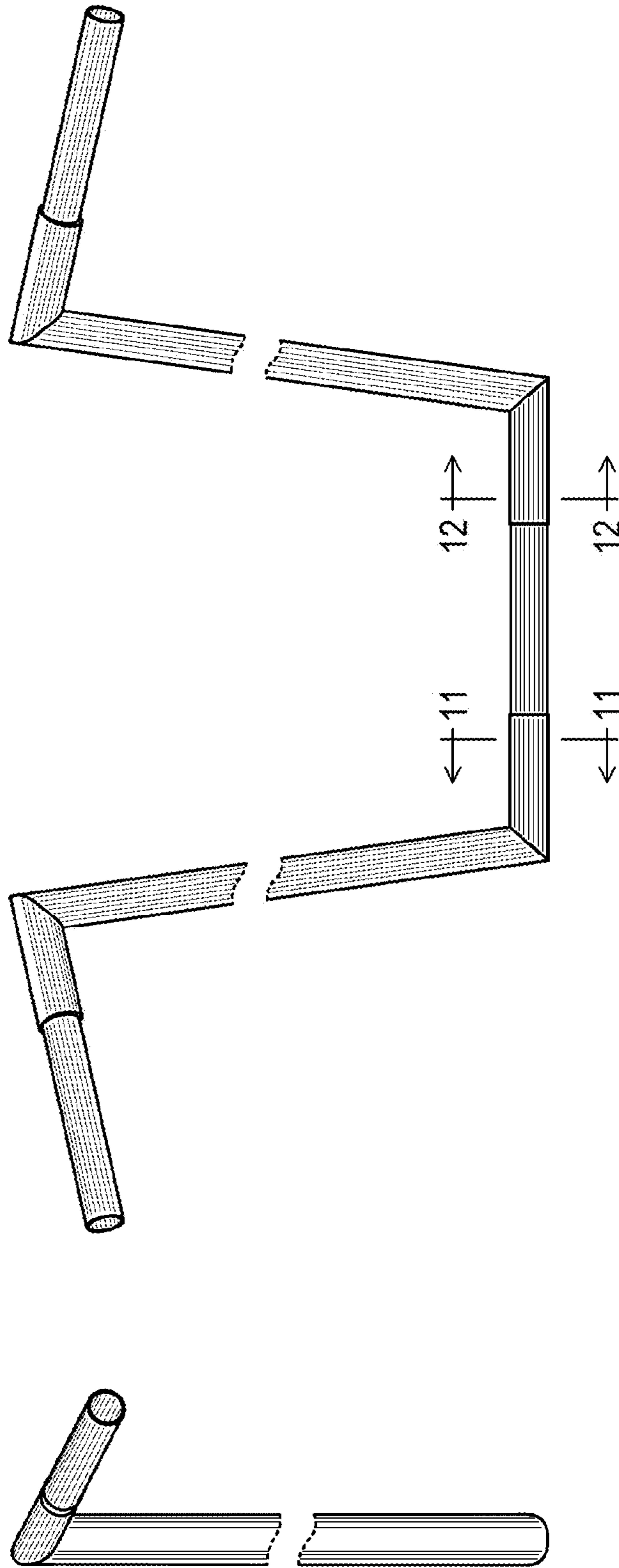


FIG. 6

FIG. 5

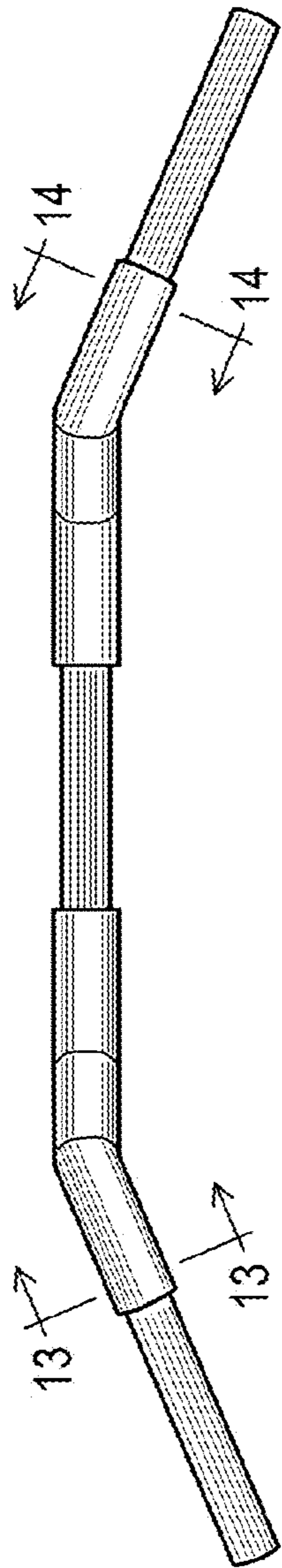


FIG. 7

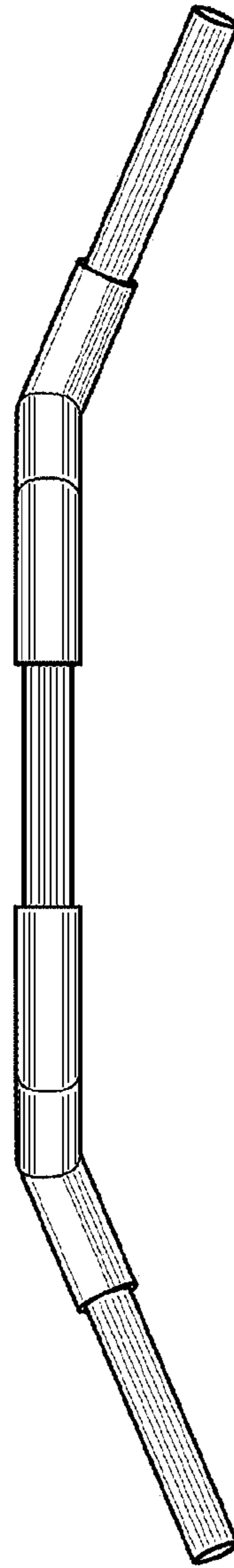


FIG. 8

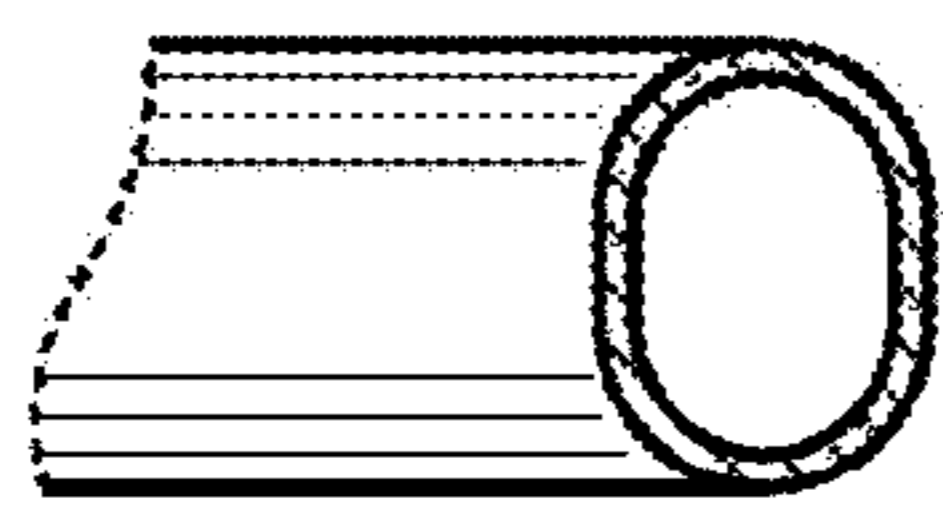


FIG. 11

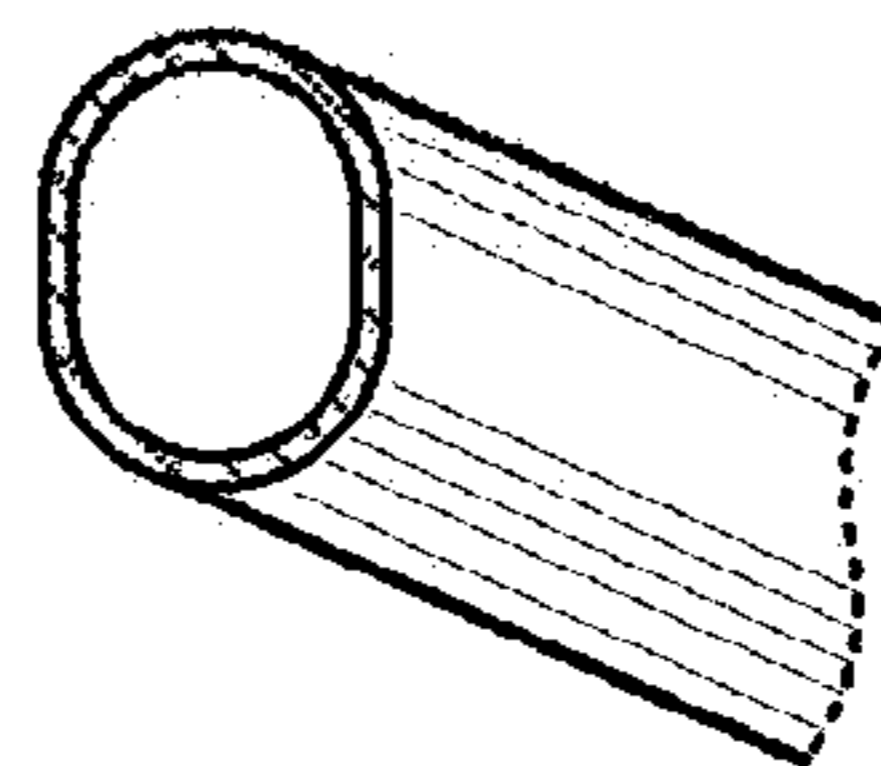


FIG. 14

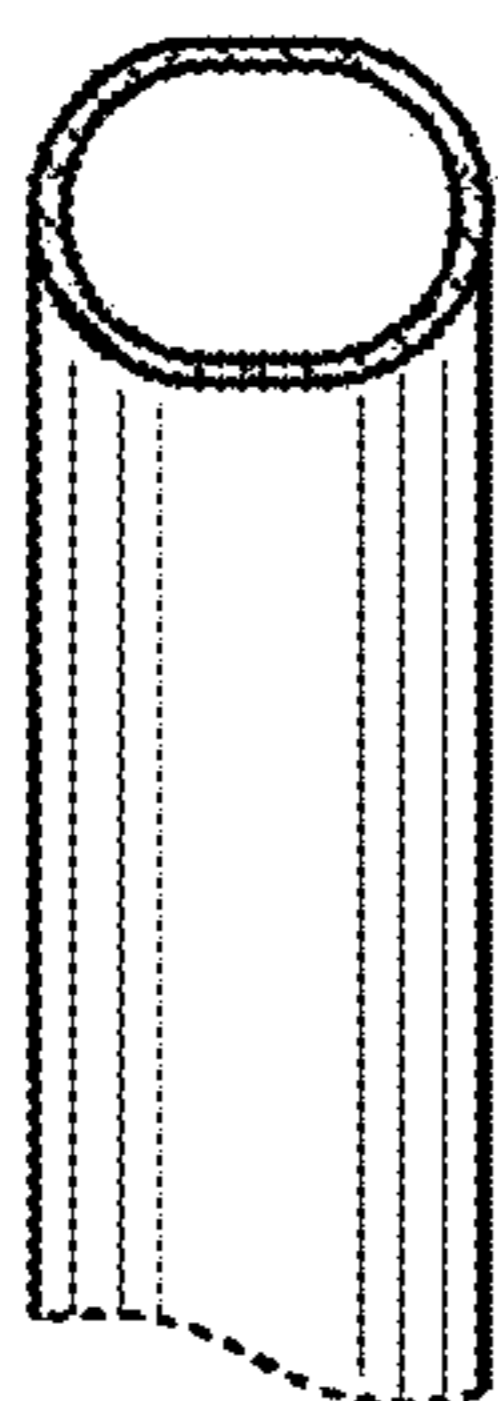


FIG. 10

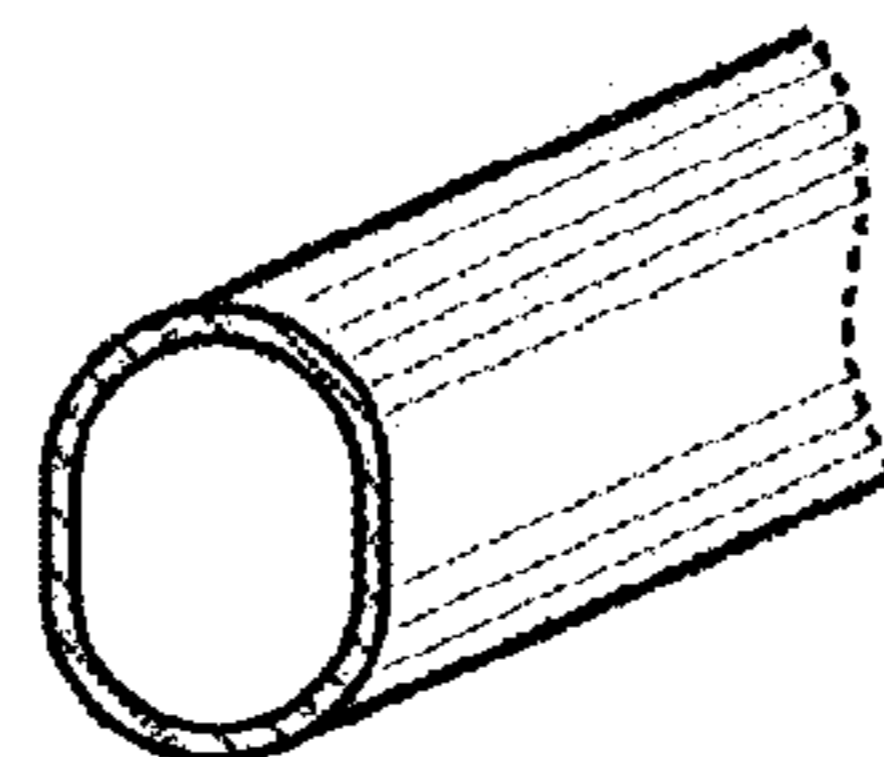


FIG. 13

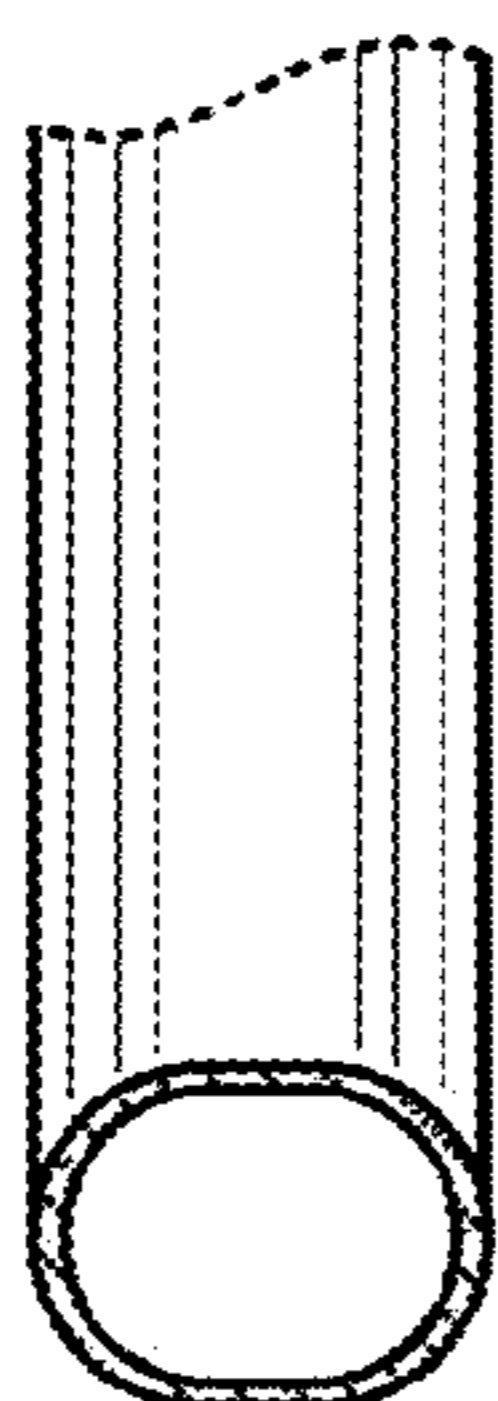


FIG. 9

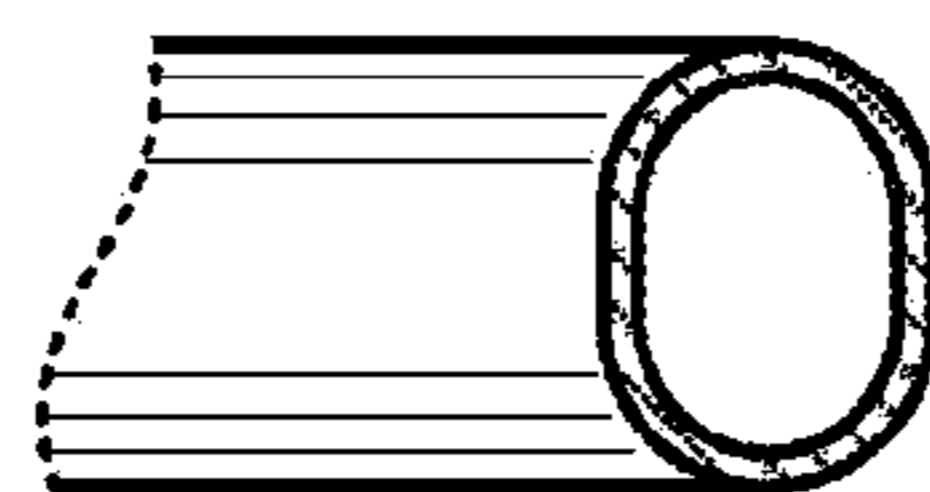


FIG. 12