



US00D749021S

(12) **United States Design Patent**  
**Boniface et al.**

(10) **Patent No.:** **US D749,021 S**  
(45) **Date of Patent:** **\*\* Feb. 9, 2016**

(54) **VEHICLE FRONT BUMPER**

(71) Applicant: **GM GLOBAL TECHNOLOGY OPERATIONS LLC**, Detroit, MI (US)

(72) Inventors: **Robert E. Boniface**, Boomfield Hills, MI (US); **Robert J. Munson**, Rochester Hills, MI (US)

(73) Assignee: **GM Global Technology Operations LLC**, Detroit, MI (US)

(\*\*) Term: **14 Years**

(21) Appl. No.: **29/500,876**

(22) Filed: **Aug. 29, 2014**

(51) **LOC (10) Cl.** ..... **12-16**

(52) **U.S. Cl.**  
USPC ..... **D12/169**

(58) **Field of Classification Search**  
USPC ..... D12/169, 216, 90-92, 86, 171, 196, D12/163; 293/102, 113, 115, 117, 120; 296/180.1, 180.2  
CPC . B60R 19/52; B60R 2019/25; B62D 25/0845  
See application file for complete search history.

D682,169 S \* 5/2013 Choi ..... D12/169  
D685,301 S \* 7/2013 Watanabe ..... D12/169  
D688,992 S \* 9/2013 Hildebrand ..... D12/169  
D702,161 S \* 4/2014 Hanaoka ..... D12/169  
D703,117 S \* 4/2014 Osborne ..... D12/169  
D724,503 S \* 3/2015 Hall ..... D12/169  
D730,791 S \* 6/2015 Hammoud ..... D12/169  
D731,369 S \* 6/2015 Duff ..... D12/169

**OTHER PUBLICATIONS**

Design U.S. Appl. No. 29/466,631, filed Sep. 10, 2013; First Named Inventor: Louis D. Thole; Title: Vehicle Front Fascia.  
Design U.S. Appl. No. 29/476,490, filed Dec. 13, 2013; First Named Inventor: Robert J. Munson; Title: Vehicle Body Exterior.  
Design U.S. Appl. No. 29/498,232, filed Aug. 1, 2014; First Named Inventor: Brian J. Smith; Title: Vehicle Front Fascia.

\* cited by examiner

*Primary Examiner* — Melody Brown  
(74) *Attorney, Agent, or Firm* — Reising Ethington P.C.

(57) **CLAIM**  
The ornamental design for a vehicle front bumper, as shown and described.

**DESCRIPTION**

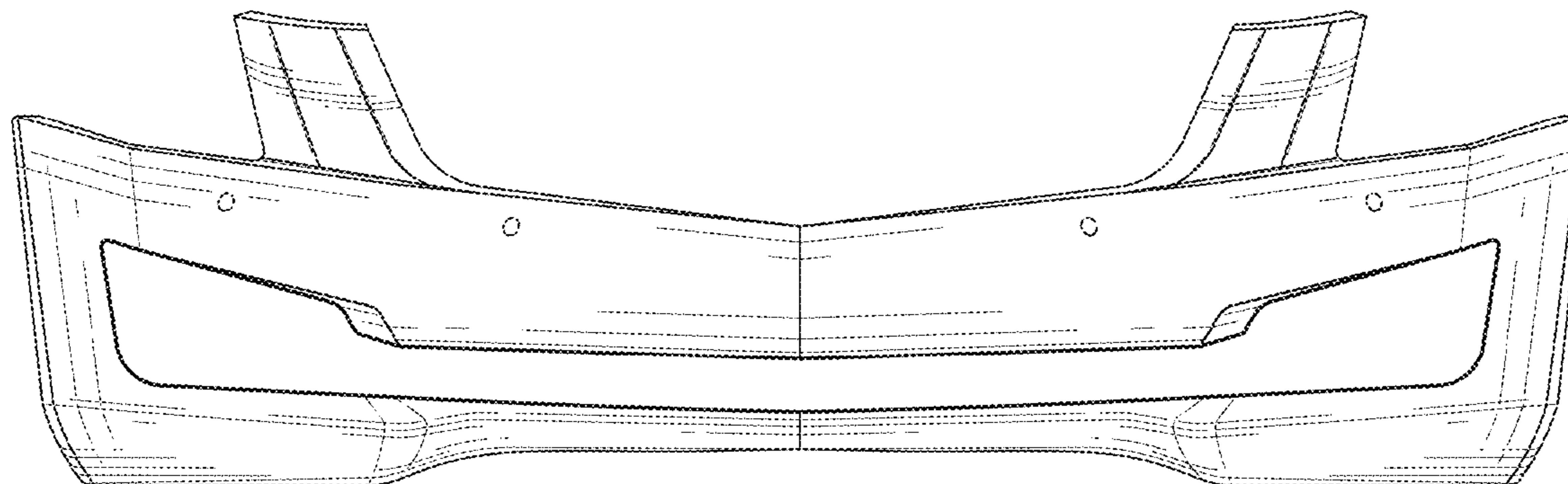
FIG. 1 is a front perspective view of a vehicle front bumper showing our new design;  
FIG. 2 is a front view thereof;  
FIG. 3 is a top plan view thereof; and,  
FIG. 4 is a left side elevation view thereof the right side being a mirror image of that side shown.  
The portions of the vehicle shown in broken lines are for illustrative purposes only and form no part of the claimed design.

**1 Claim, 2 Drawing Sheets**

(56) **References Cited**

**U.S. PATENT DOCUMENTS**

D582,819 S \* 12/2008 Miyazawa ..... D12/169  
D637,120 S \* 5/2011 Lamm ..... D12/169  
D662,866 S \* 7/2012 Fukui ..... D12/169  
D668,594 S \* 10/2012 Davidson ..... D12/169  
D673,086 S \* 12/2012 Frenzel ..... D12/169  
D680,921 S \* 4/2013 Jara ..... D12/163  
D682,166 S \* 5/2013 Minami ..... D12/169



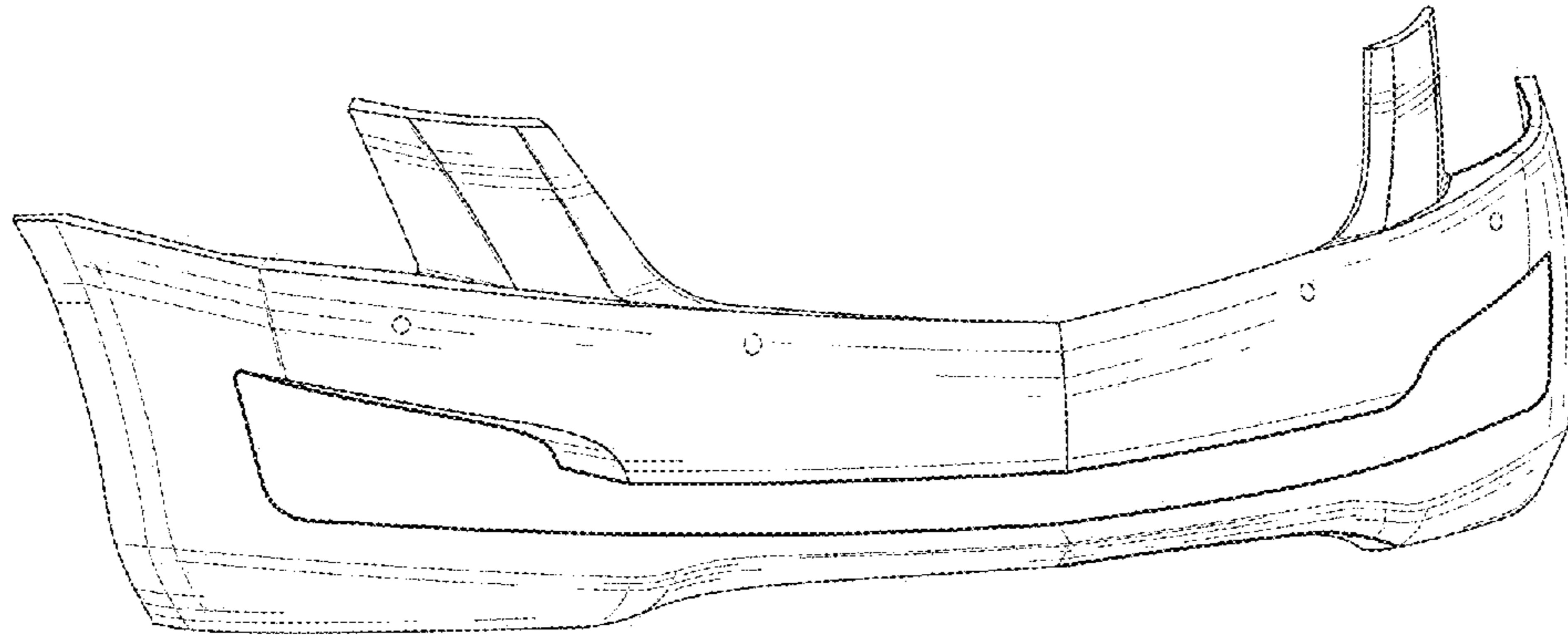


Fig-1

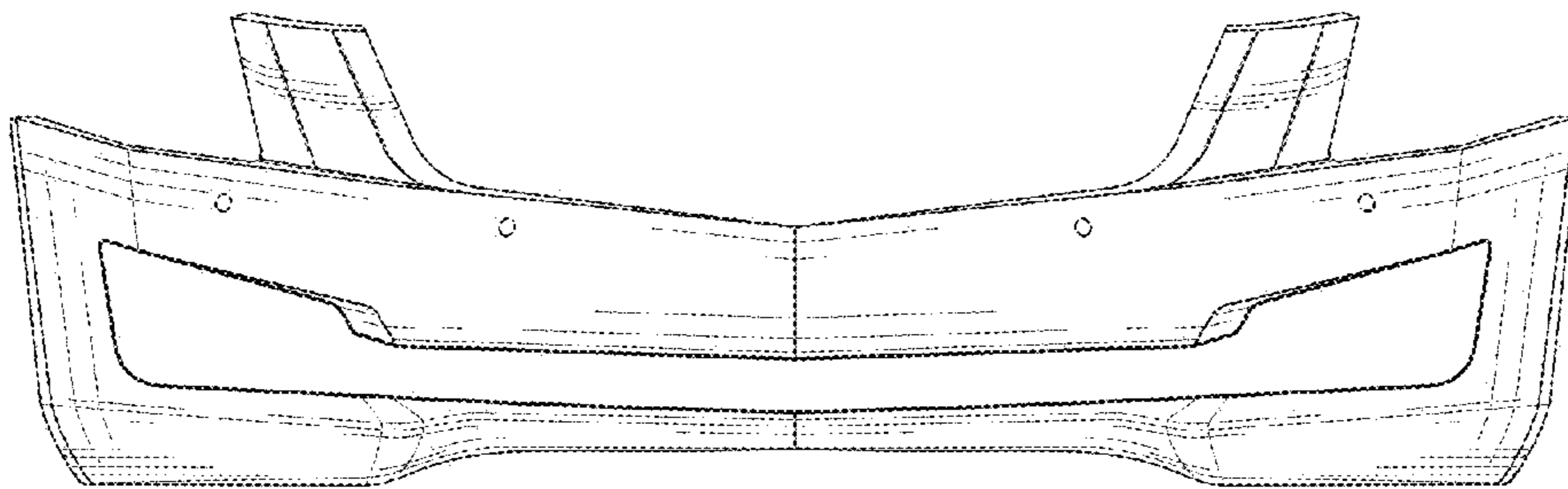


Fig-2

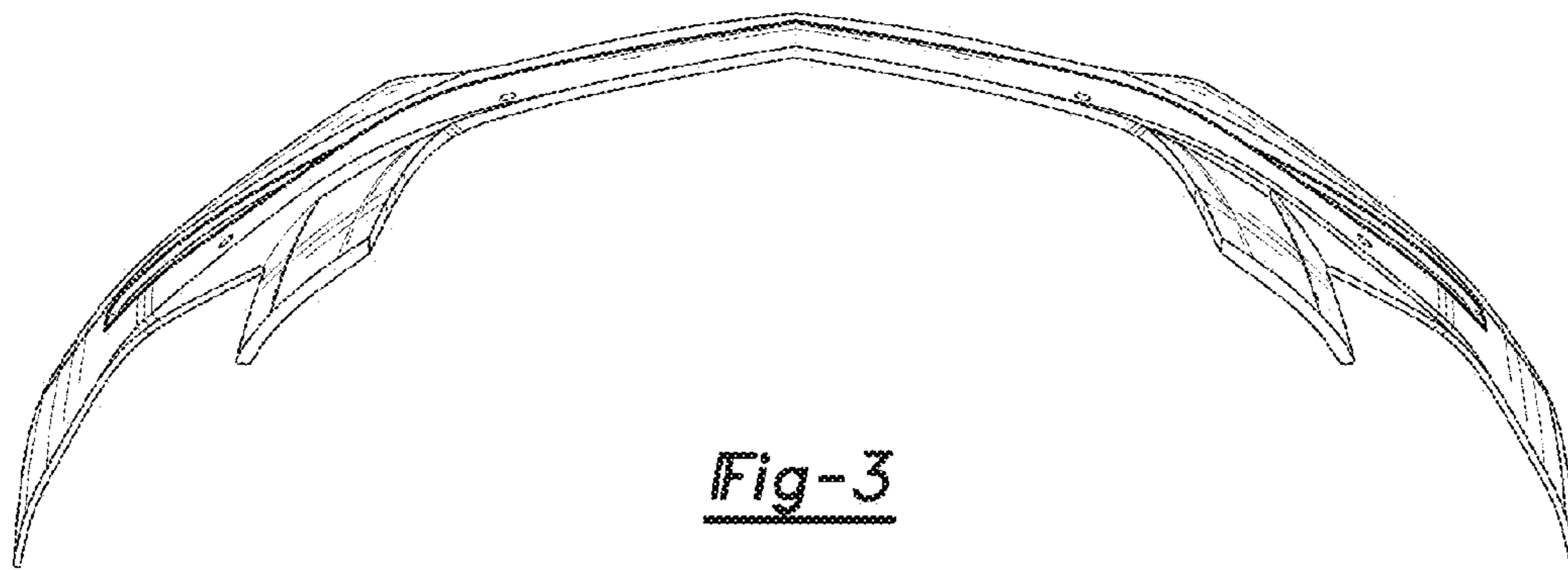


Fig-3

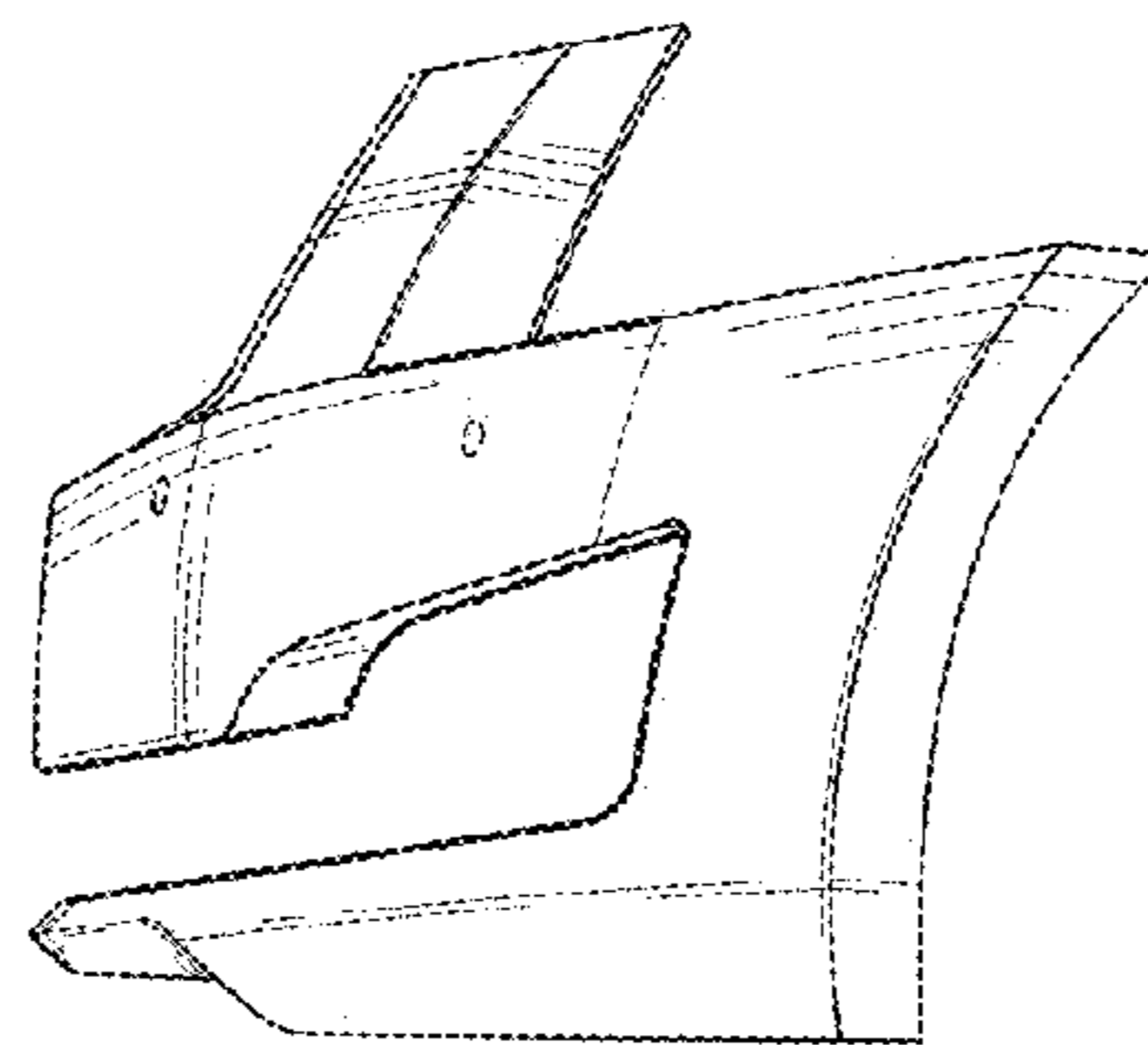


Fig-4