



US00D749020S

(12) **United States Design Patent**
McFarland

(10) **Patent No.:** **US D749,020 S**
(45) **Date of Patent:** **** Feb. 9, 2016**

- (54) **STOWABLE HITCH RECEIVER**
- (71) Applicant: **Gary McFarland**, Santa Fe, TX (US)
- (72) Inventor: **Gary McFarland**, Santa Fe, TX (US)
- (**) Term: **14 Years**
- (21) Appl. No.: **29/498,869**
- (22) Filed: **Aug. 8, 2014**
- (51) **LOC (10) Cl.** **12-16**
- (52) **U.S. Cl.**
USPC **D12/162**
- (58) **Field of Classification Search**
USPC D12/162, 159, 160, 161
CPC B60D 1/065; B60D 1/00; B60D 1/60;
B60D 1/06
See application file for complete search history.

- D709,805 S * 7/2014 Hill D12/162
- D714,194 S * 9/2014 DePietro D12/162
- D729,703 S * 5/2015 Song D12/162
- D729,704 S * 5/2015 Song D12/162
- D730,782 S * 6/2015 Miller D12/162
- D737,734 S * 9/2015 McGinnes D12/162
- D737,735 S * 9/2015 Giannatti D12/162

* cited by examiner

Primary Examiner — Katrina A Betton

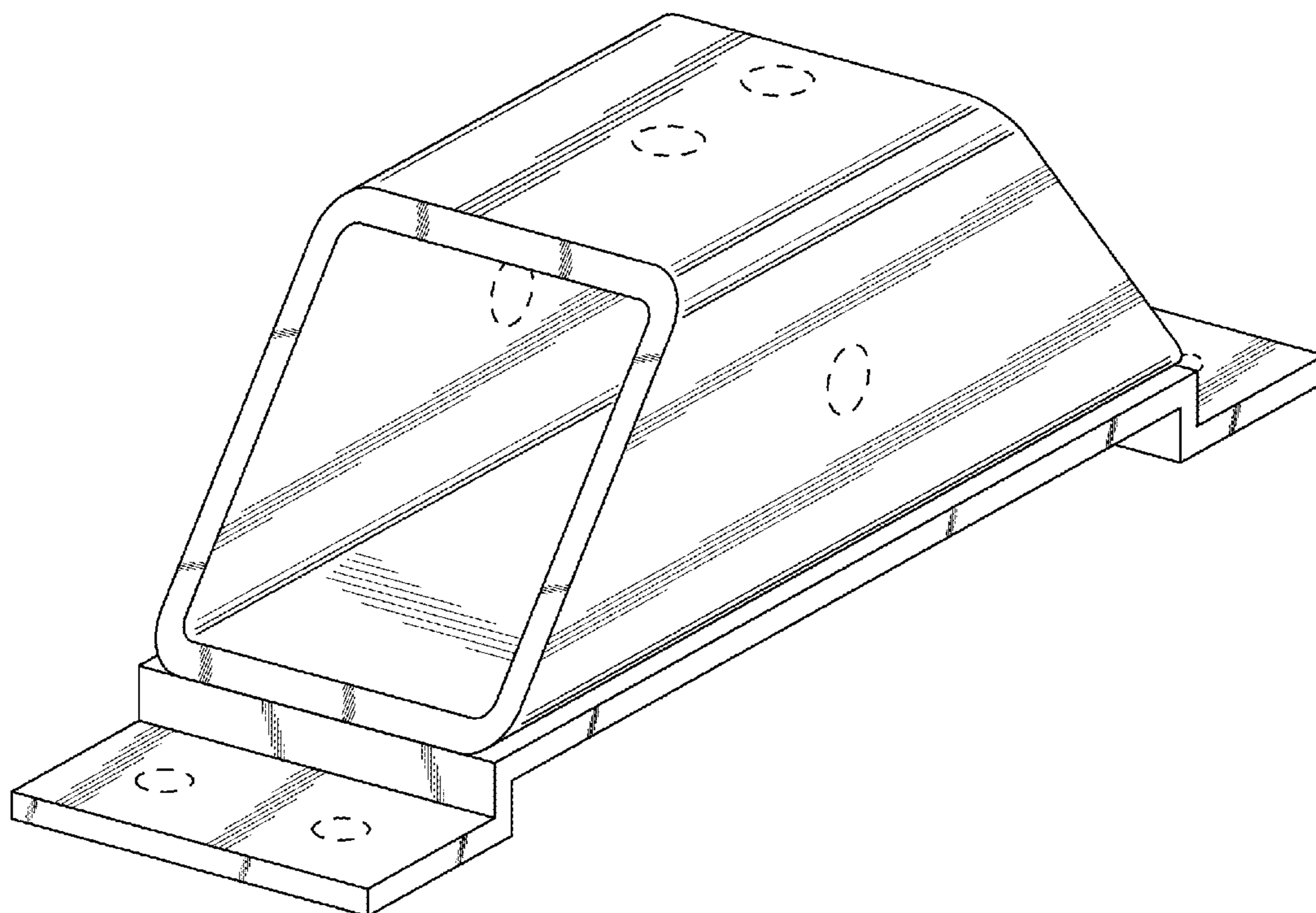
(57) **CLAIM**
The ornamental design for a stowable hitch receiver, as shown and described.

DESCRIPTION

FIG. 1 is a perspective front view of the stowable hitch receiver, showing my new design;
 FIG. 2 is a front side view thereof, wherein a back side view is a mirror image thereof;
 FIG. 3 is a right side view thereof, wherein a left side view is a mirror image thereof;
 FIG. 4 is a top side view thereof; and,
 FIG. 5 is a bottom side view thereof.
 The broken lines showing the location of the holes forms no part of the claimed design.

1 Claim, 5 Drawing Sheets

- (56) **References Cited**
U.S. PATENT DOCUMENTS
D683,279 S * 5/2013 Borkholder D12/162
D686,954 S * 7/2013 Scruggs D12/162
D688,986 S * 9/2013 Duffy D12/162
D705,704 S * 5/2014 Lane D12/162
D708,099 S * 7/2014 Oman D12/162
D709,804 S * 7/2014 Provost D12/162



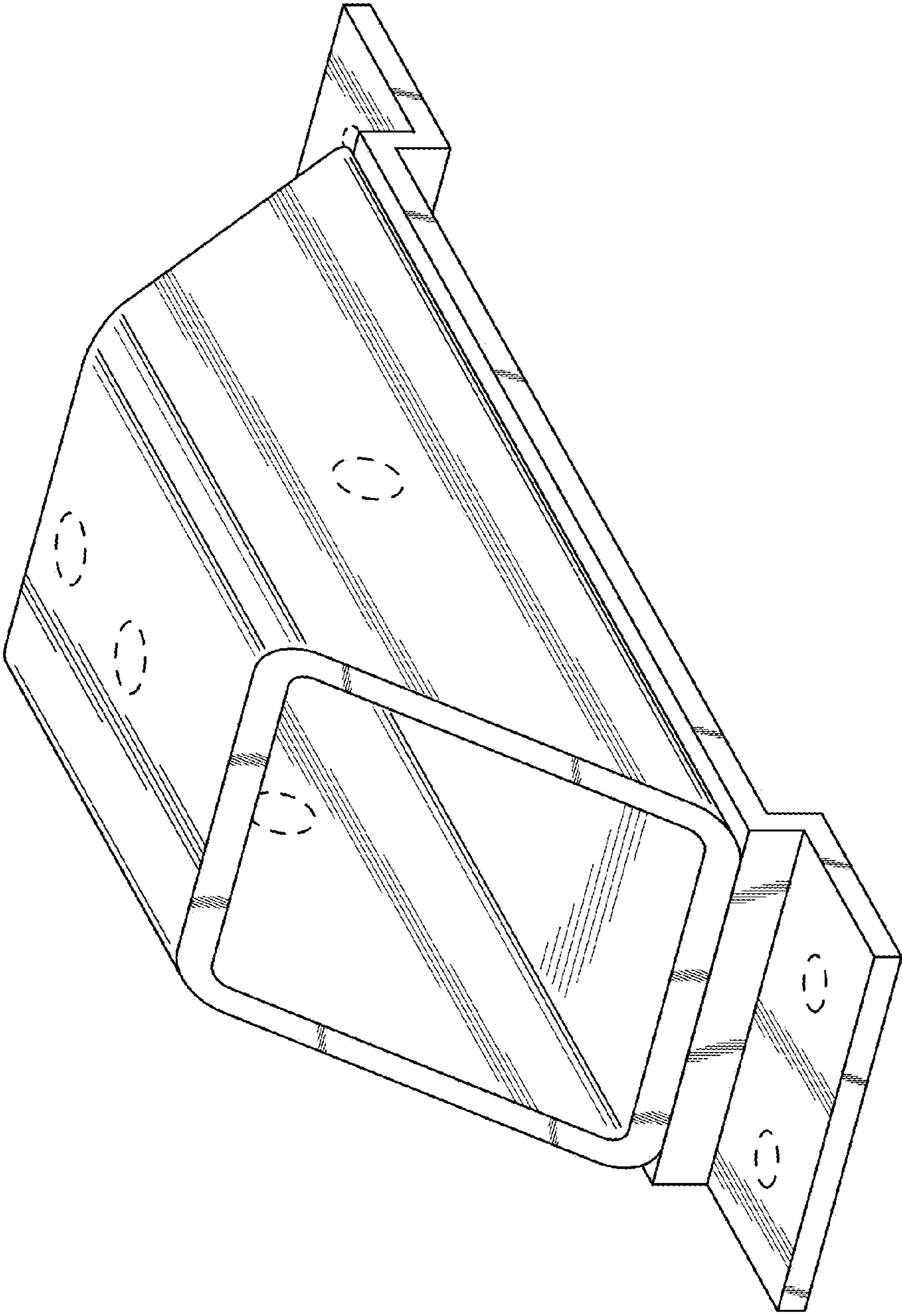


Fig. 1

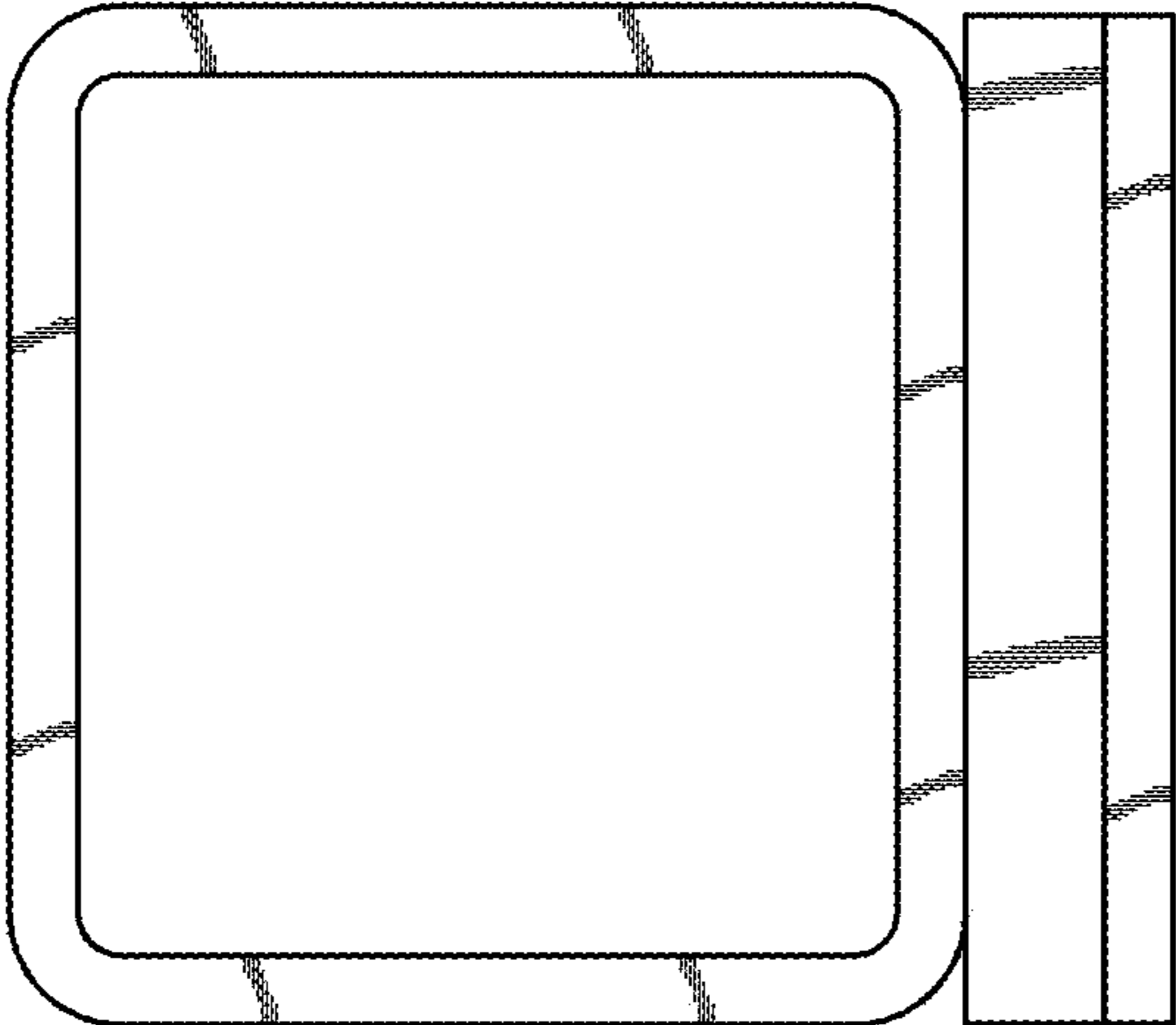


Fig. 2

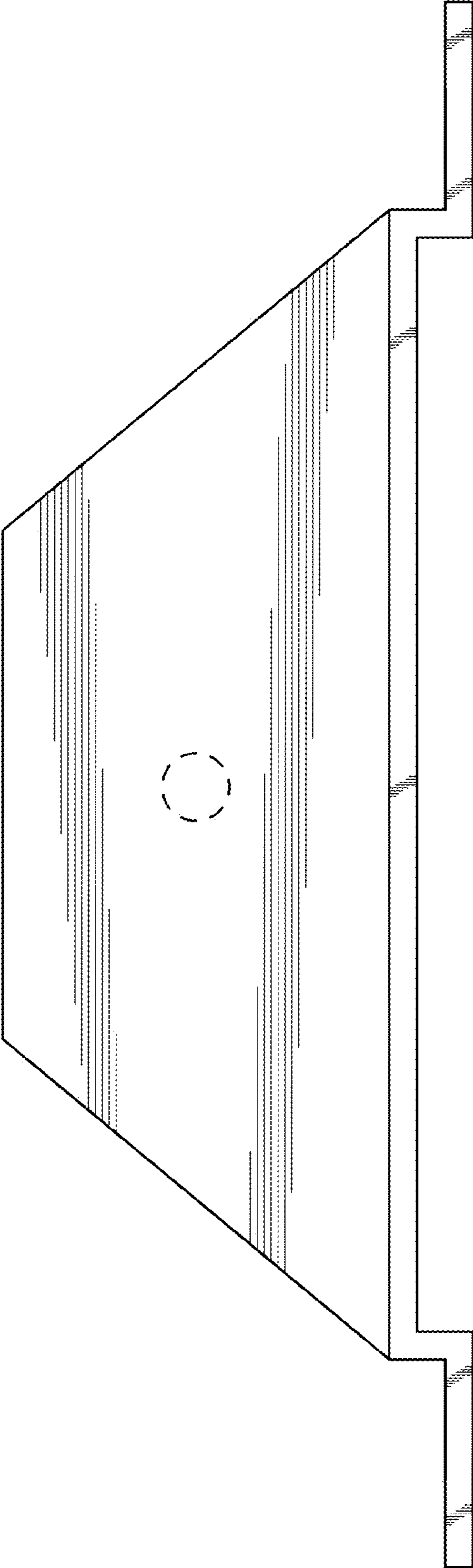


Fig. 3

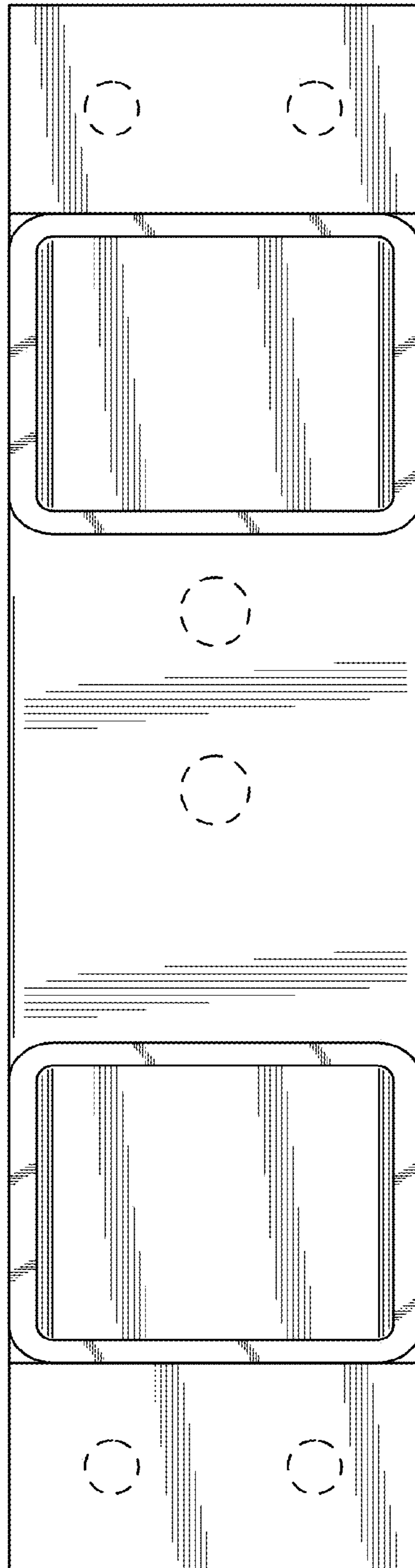


Fig. 4

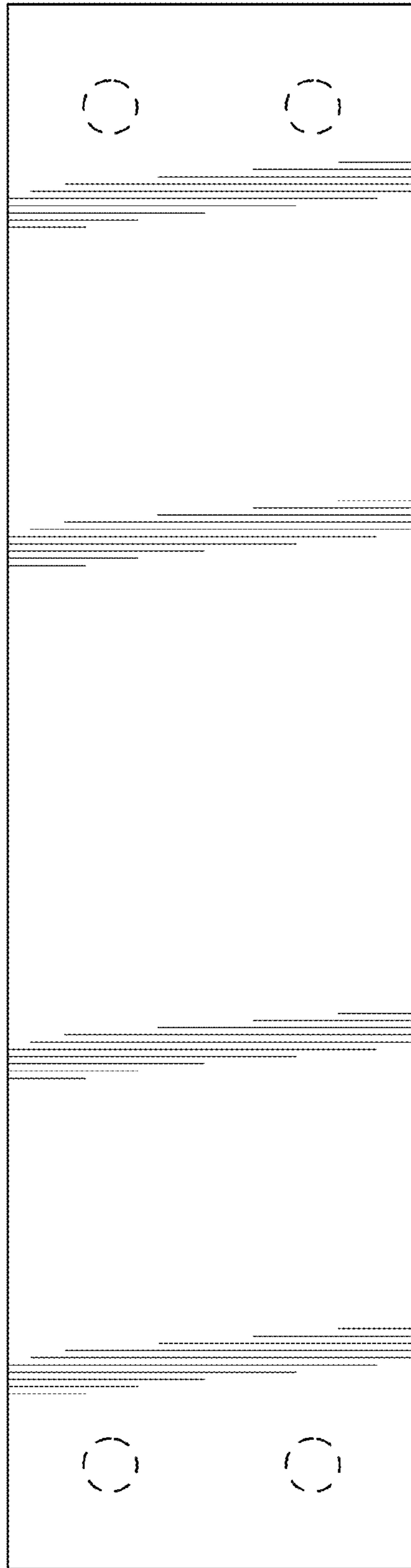


Fig. 5