



US00D749018S

(12) **United States Design Patent**  
**Fox et al.**

(10) **Patent No.:** **US D749,018 S**  
(45) **Date of Patent:** **\*\* Feb. 9, 2016**

- (54) **ALL TERRAIN WHEELCHAIR ATTACHMENT**
- (71) Applicants: **Lily Ford Fox**, Denver, CO (US); **Cailey Nicole Karshmer**, Denver, CO (US)
- (72) Inventors: **Lily Ford Fox**, Denver, CO (US); **Cailey Nicole Karshmer**, Denver, CO (US)
- (\*\*) Term: **14 Years**
- (21) Appl. No.: **29/484,180**
- (22) Filed: **Mar. 6, 2014**
- (51) **LOC (10) Cl.** ..... **12-12**
- (52) **U.S. Cl.**  
USPC ..... **D12/133**
- (58) **Field of Classification Search**  
USPC ..... D12/12; D6/611  
CPC ..... A61G 5/00-5/14  
See application file for complete search history.

- 7,708,119 B2 \* 5/2010 Chen ..... B62B 9/087  
188/19
- 7,735,847 B2 6/2010 Dougherty
- 8,028,775 B2 10/2011 Orenbuch
- 8,414,008 B2 4/2013 Hay
- 8,684,113 B1 \* 4/2014 Laconis ..... A61G 5/047  
180/11

\* cited by examiner

*Primary Examiner* — Susan Bennett Hattan  
*Assistant Examiner* — Charles Hanson  
(74) *Attorney, Agent, or Firm* — The Reilly Intellectual Property Law Firm, P.C.

(57) **CLAIM**  
The ornamental design for an all terrain wheelchair attachment, as shown and described.

**DESCRIPTION**

FIG. 1 is a side perspective view showing our new design; FIG. 2 is a side perspective view showing a different orientation of the view in FIG. 1; FIG. 3 is a side view of FIG. 1; FIG. 4 is a side view of FIG. 2; FIG. 5 is a top view of FIG. 1; FIG. 6 is a bottom view of FIG. 1; FIG. 7 is a back view of FIG. 1; and, FIG. 8 is a front view of FIG. 1. The broken line showing of the wheelchair is included for the purpose of illustrating environment and forms no part of the claimed design.

**1 Claim, 3 Drawing Sheets**

- (56) **References Cited**  
U.S. PATENT DOCUMENTS
- 6,869,084 B2 3/2005 Volk et al.
- 7,367,432 B2 \* 5/2008 Chen ..... B62B 7/08  
188/19
- D592,373 S \* 5/2009 Evans ..... D12/133
- 7,641,217 B2 \* 1/2010 Yoo ..... A61G 5/08  
180/208

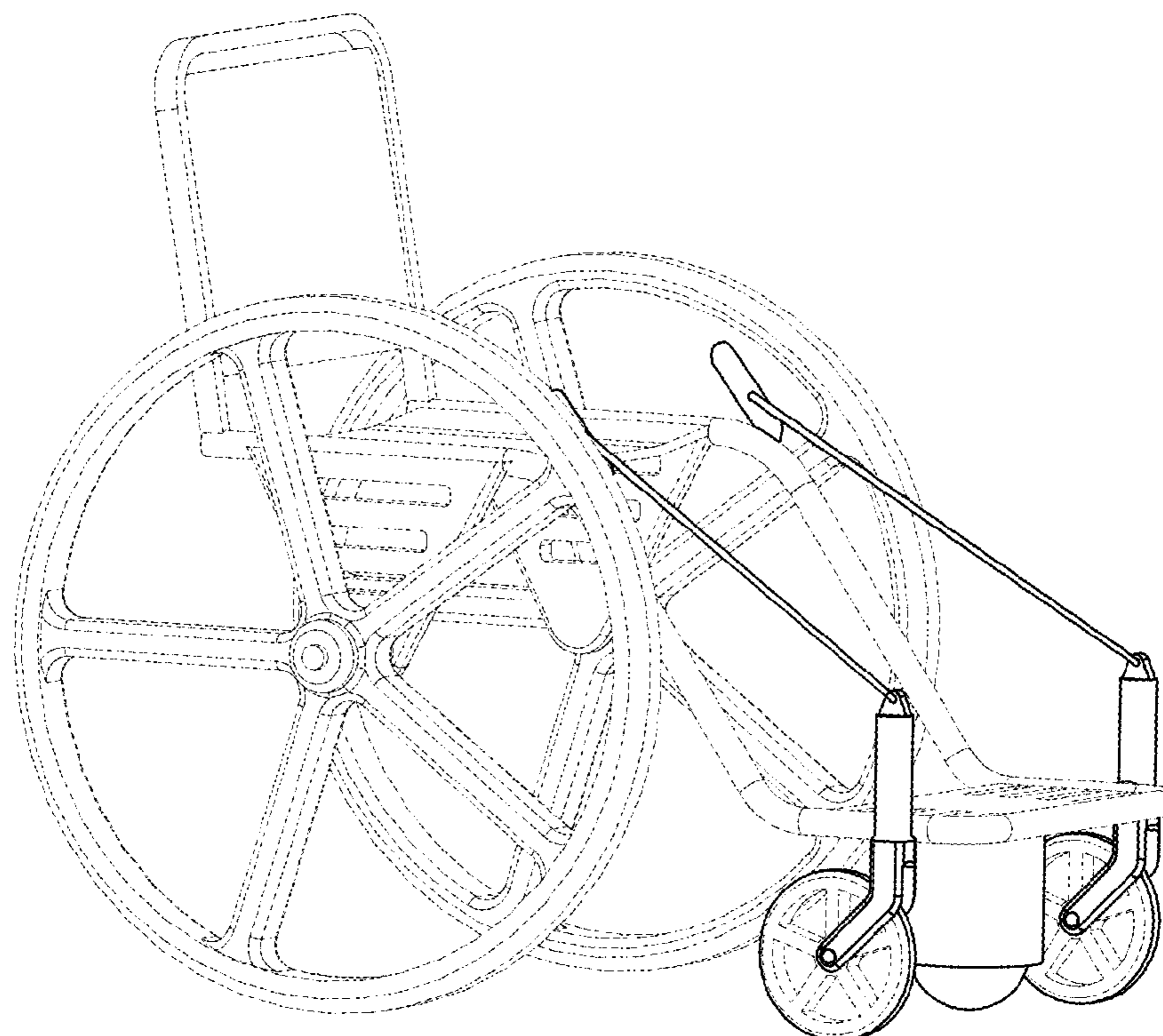


Fig. 1

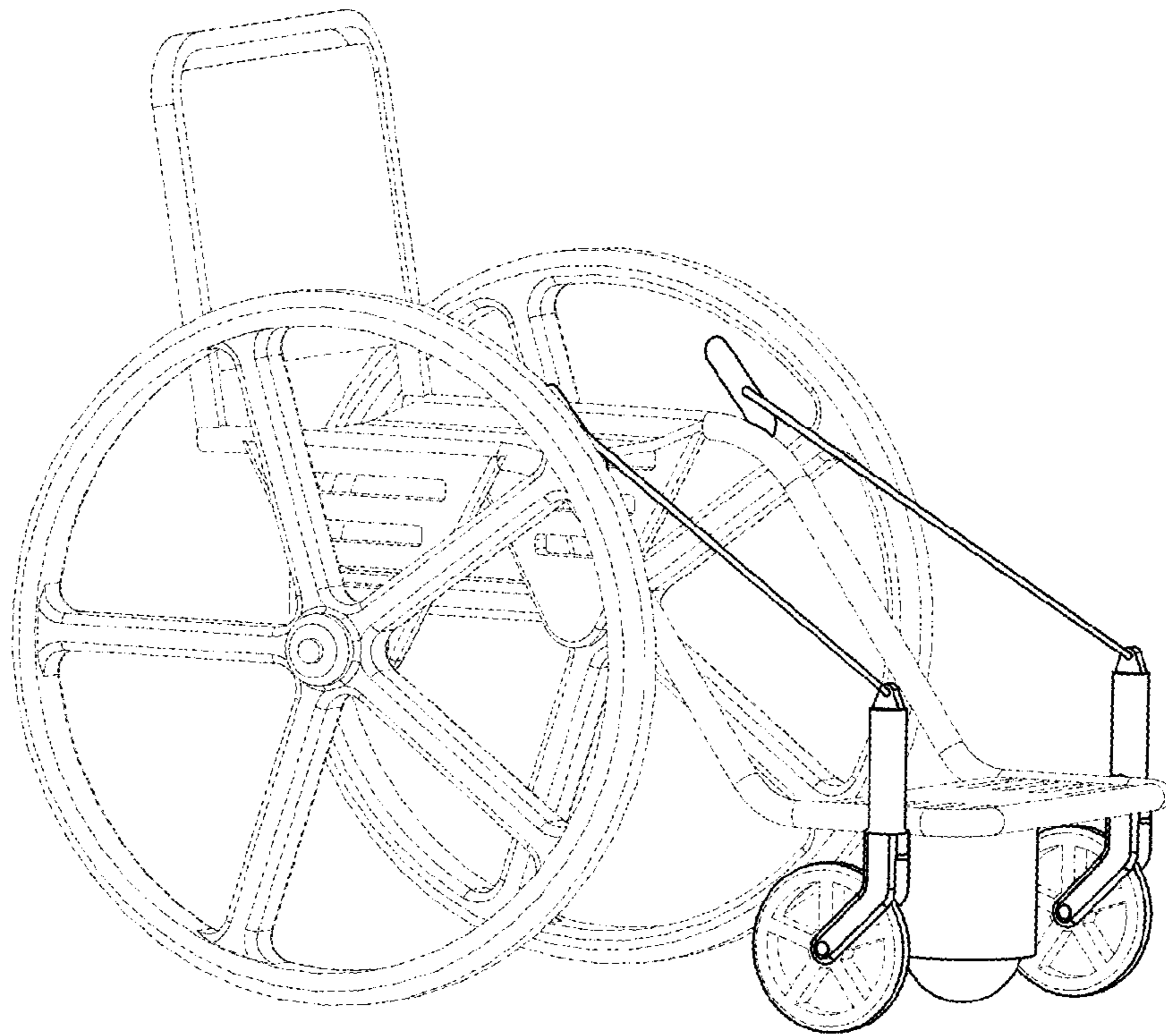
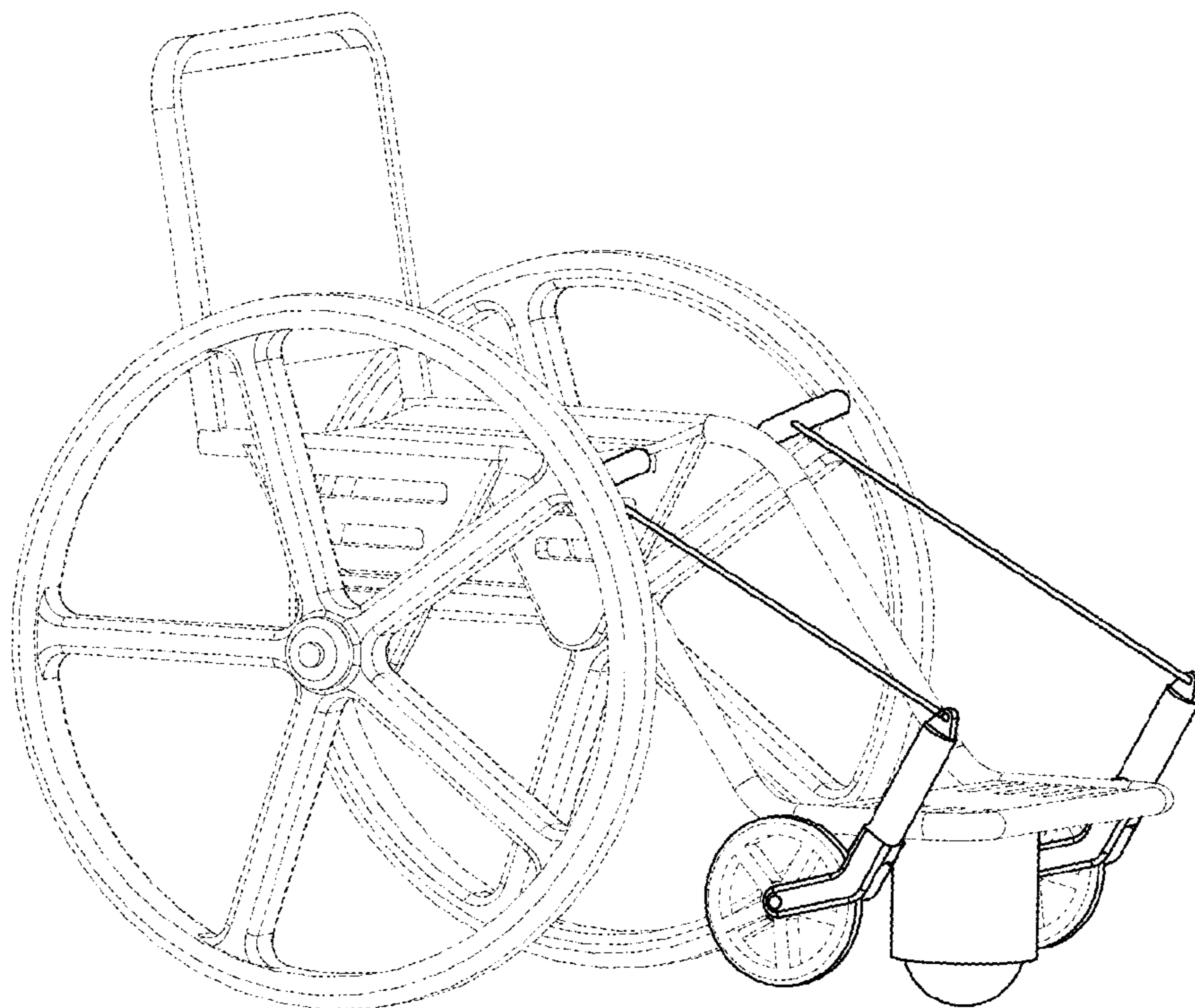


Fig. 2



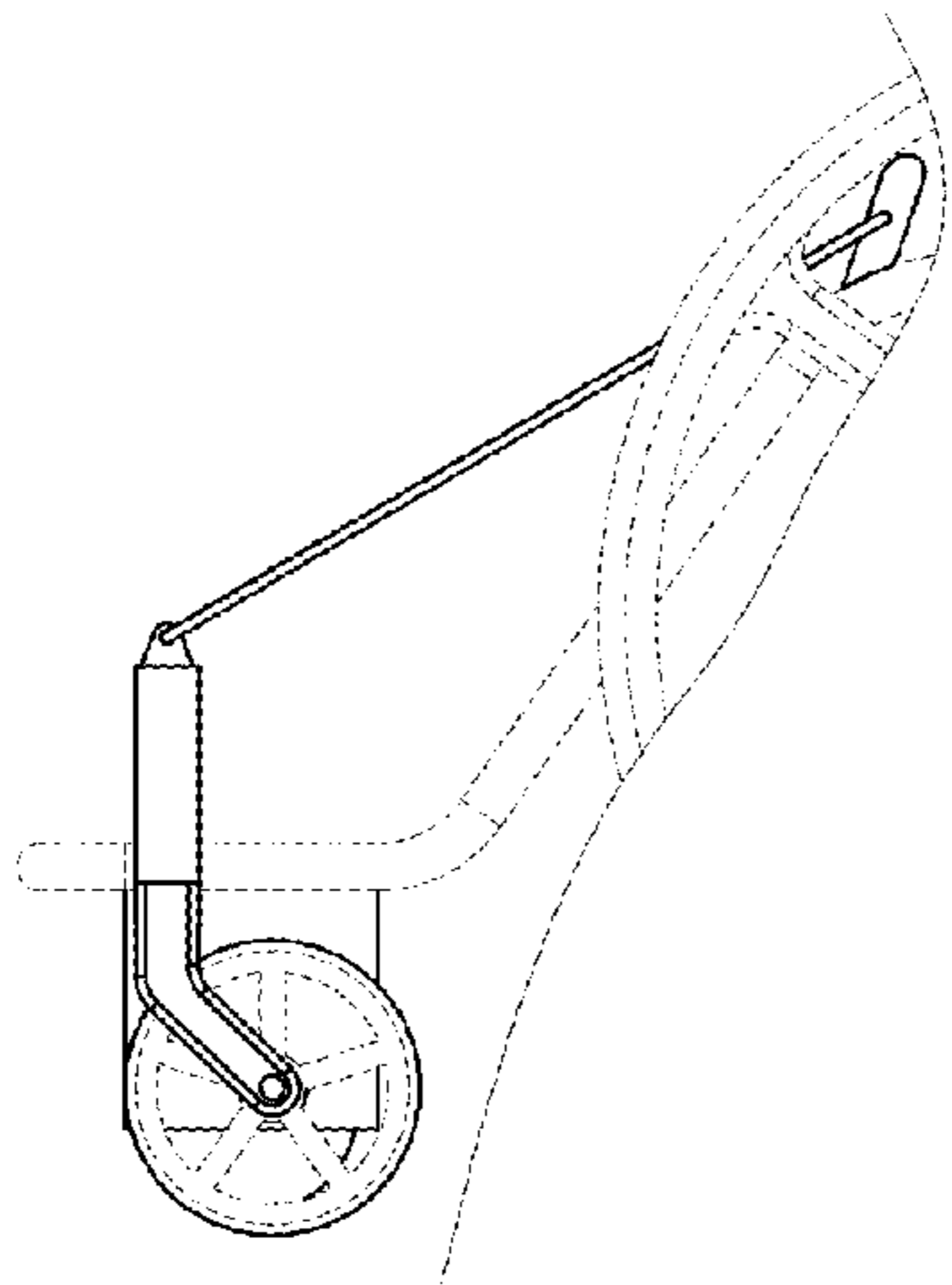


Fig. 3

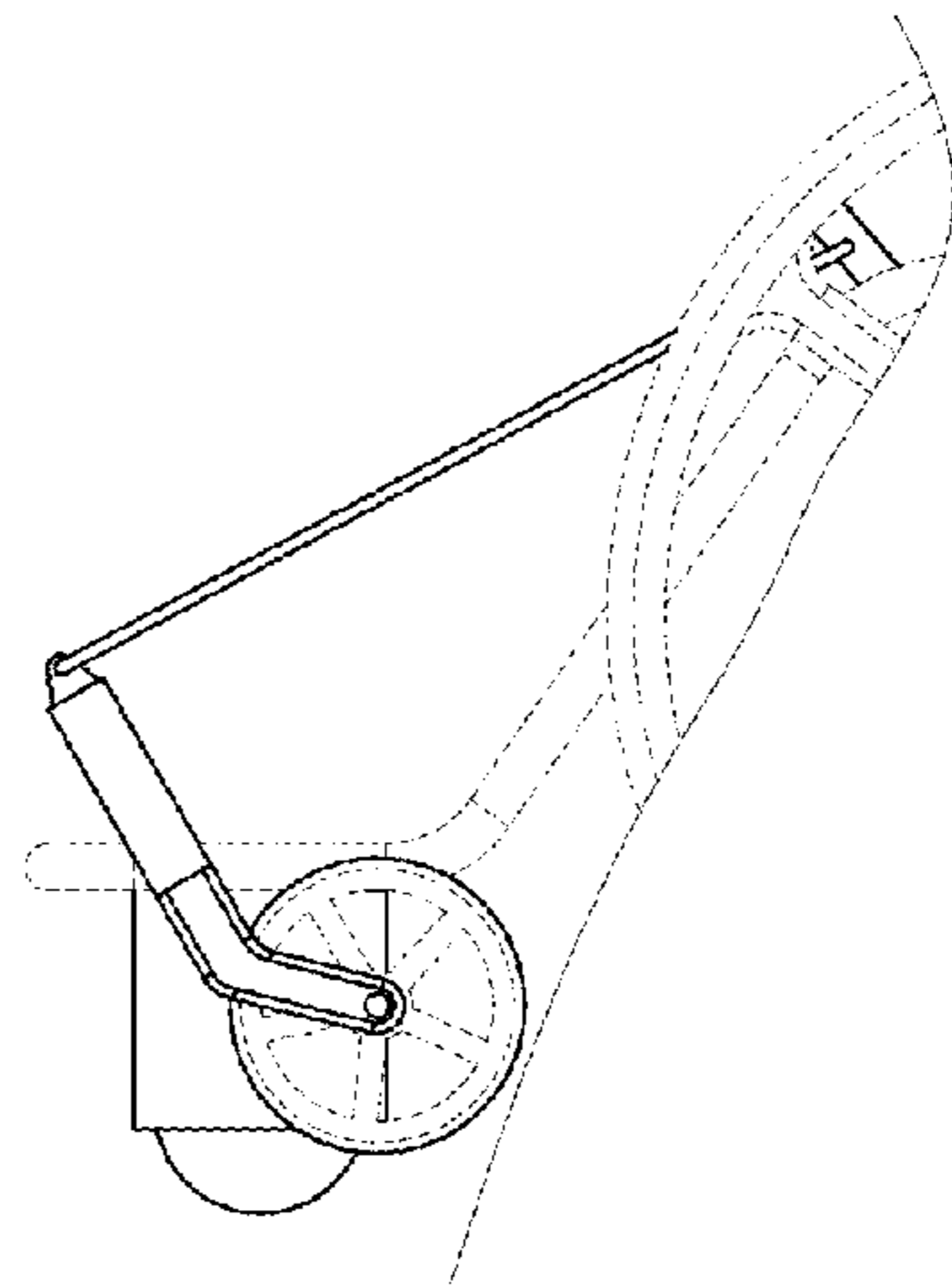


Fig. 4

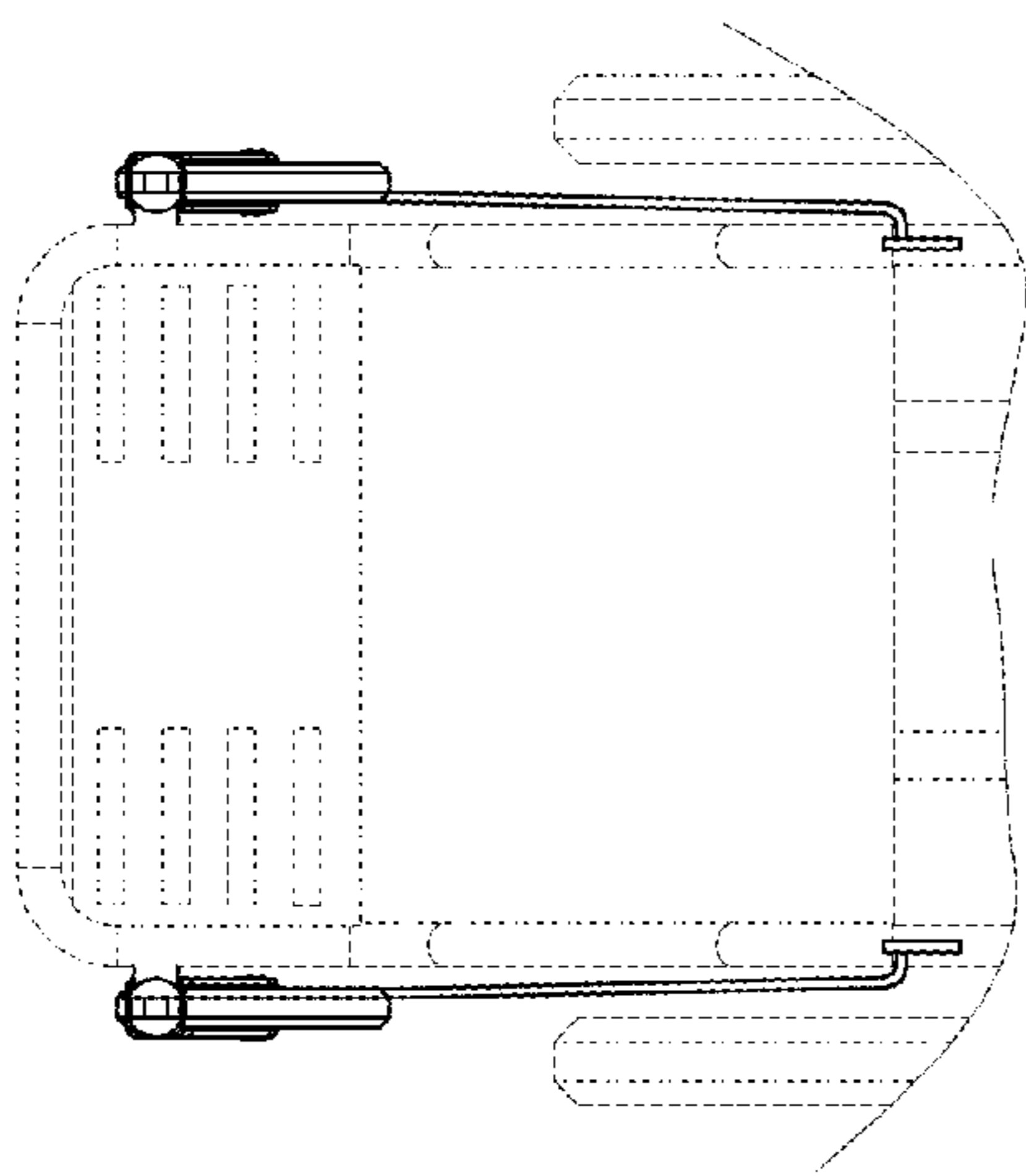


Fig. 5

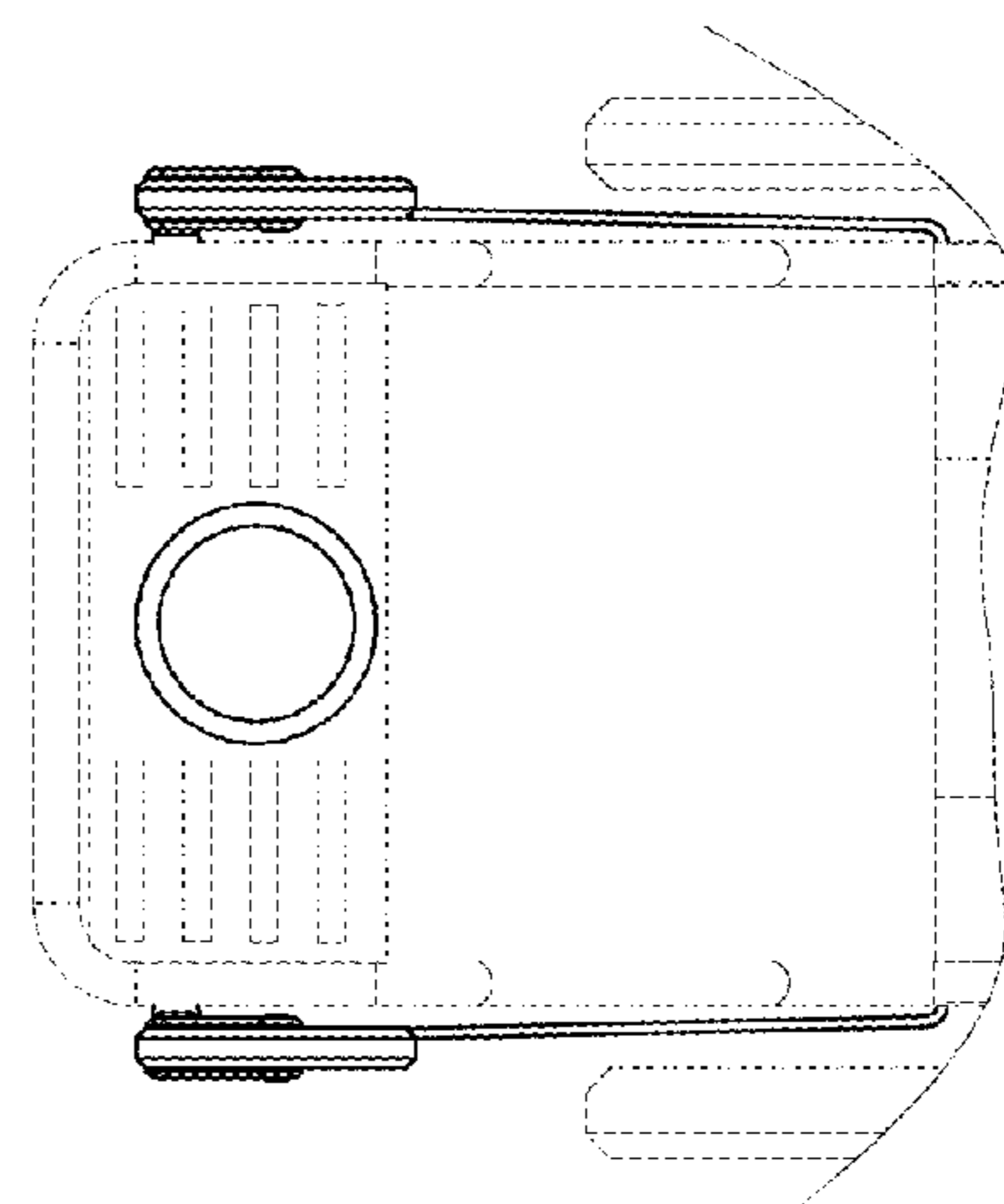


Fig. 6

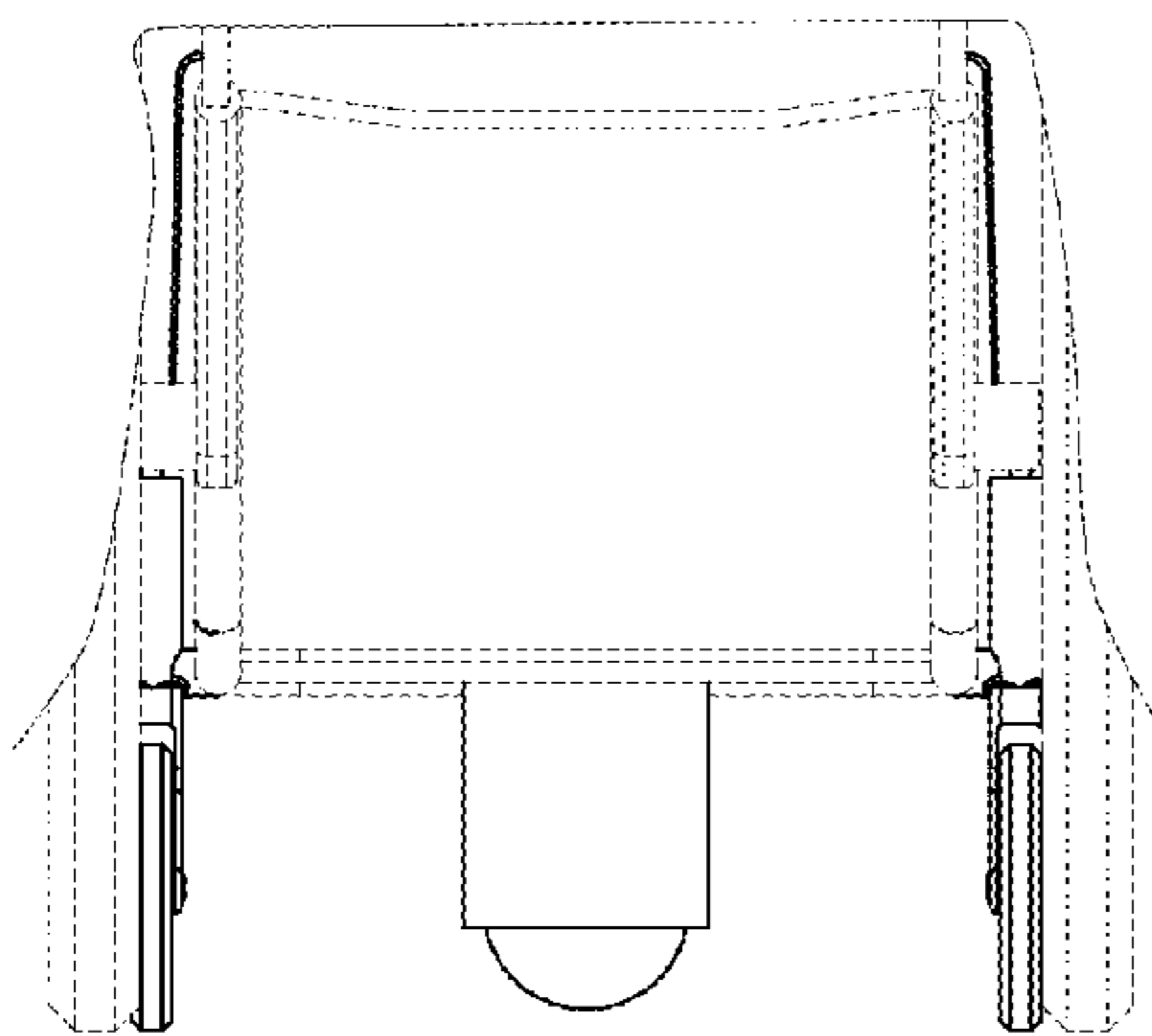


Fig. 7

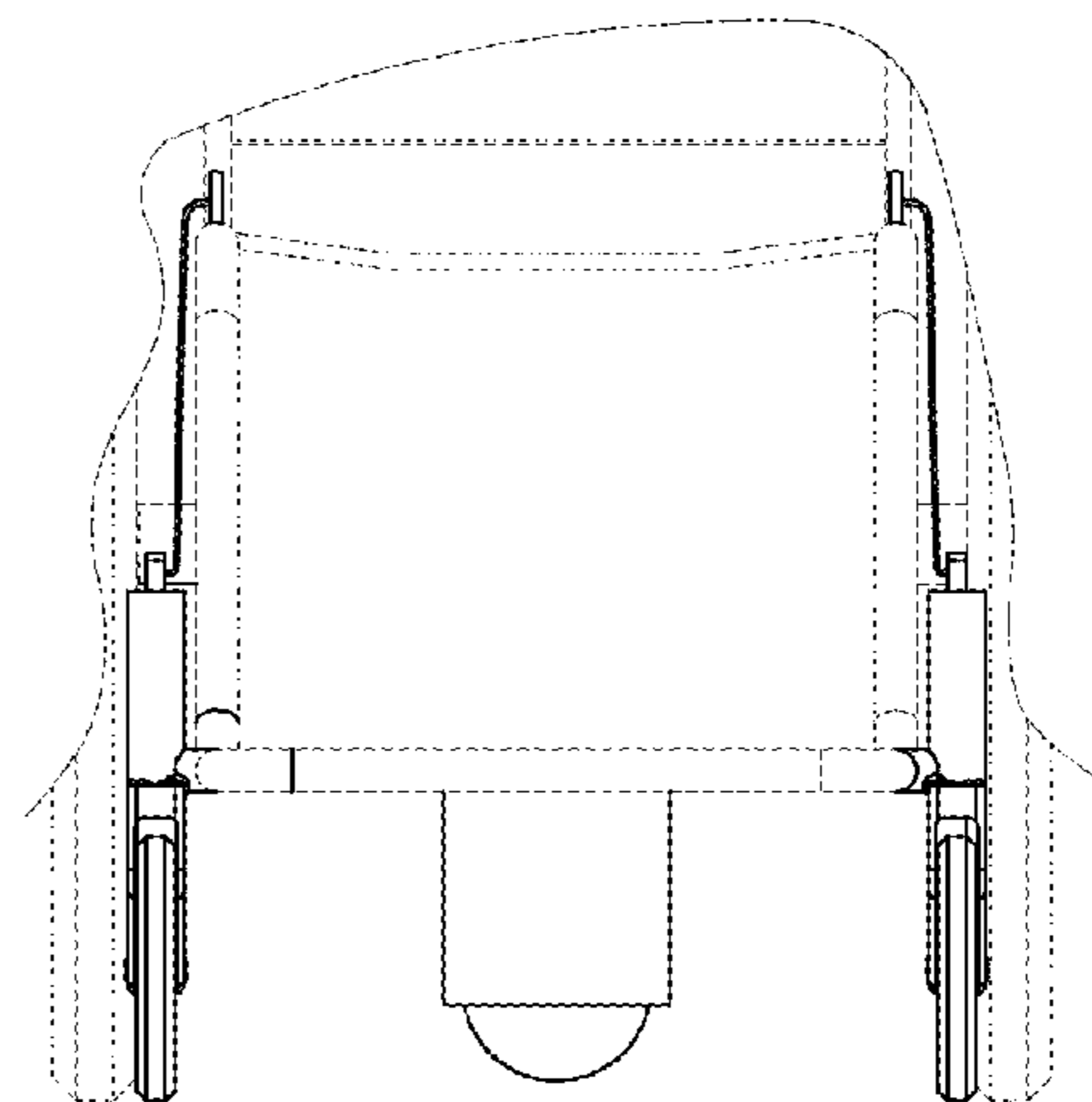


Fig. 8