



US00D749016S

(12) **United States Design Patent**
Reaux

(10) **Patent No.:** **US D749,016 S**
(45) **Date of Patent:** **** Feb. 9, 2016**

- (54) **TRANSPORT WHEELCHAIR COVER**
- (71) Applicant: **Brian K. Reaux**, Red Oak, TX (US)
- (72) Inventor: **Brian K. Reaux**, Red Oak, TX (US)
- (73) Assignee: **Brian K. Reaux**, Red Oak, TX (US)
- (**) Term: **14 Years**
- (21) Appl. No.: **29/474,129**
- (22) Filed: **Jun. 10, 2014**
- (51) **LOC (10) Cl.** **12-12**
- (52) **U.S. Cl.**
USPC **D12/133**
- (58) **Field of Classification Search**
USPC D12/131, 133; D6/611
CPC A61G 5/00-5/14
See application file for complete search history.

- 8,020,931 B2 * 9/2011 Frady A01M 31/02
297/219.1
- D671,867 S * 12/2012 Mondotte D12/133
- D685,988 S * 7/2013 Shepherd D3/216
- 8,517,462 B2 * 8/2013 Birch A01M 31/02
297/129
- D716,192 S * 10/2014 Mondotte D12/133
- 9,004,592 B2 * 4/2015 Boston A61G 5/02
297/225
- 2013/0140782 A1 6/2013 Paul et al.
- 2013/0140783 A1 6/2013 Paul et al.
- 2013/0140788 A1 6/2013 Paul et al.

* cited by examiner

Primary Examiner — Susan Bennett Hattan
Assistant Examiner — Charles Hanson

(57) **CLAIM**

The ornamental design for a transport wheelchair cover, as shown and described.

DESCRIPTION

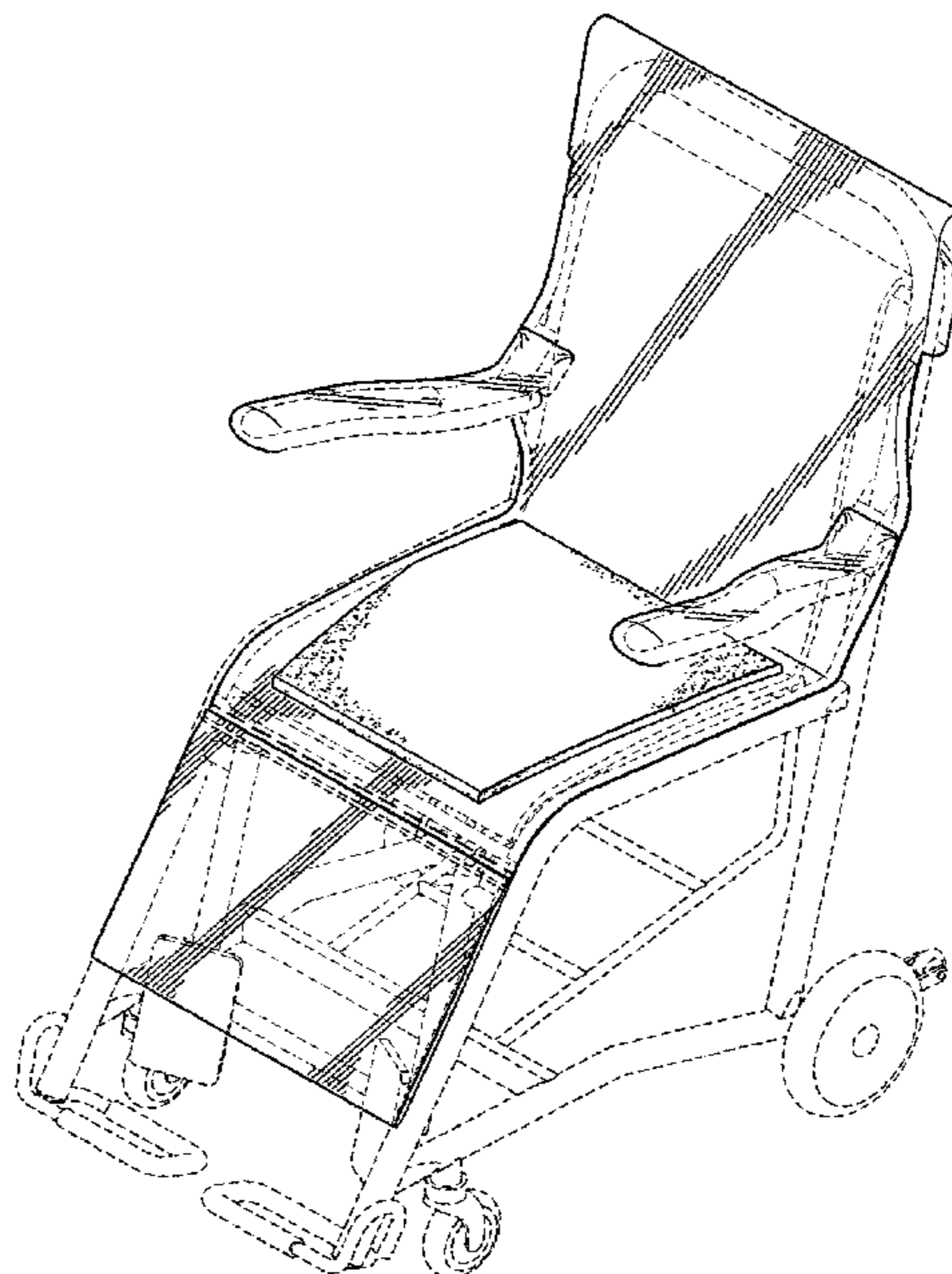
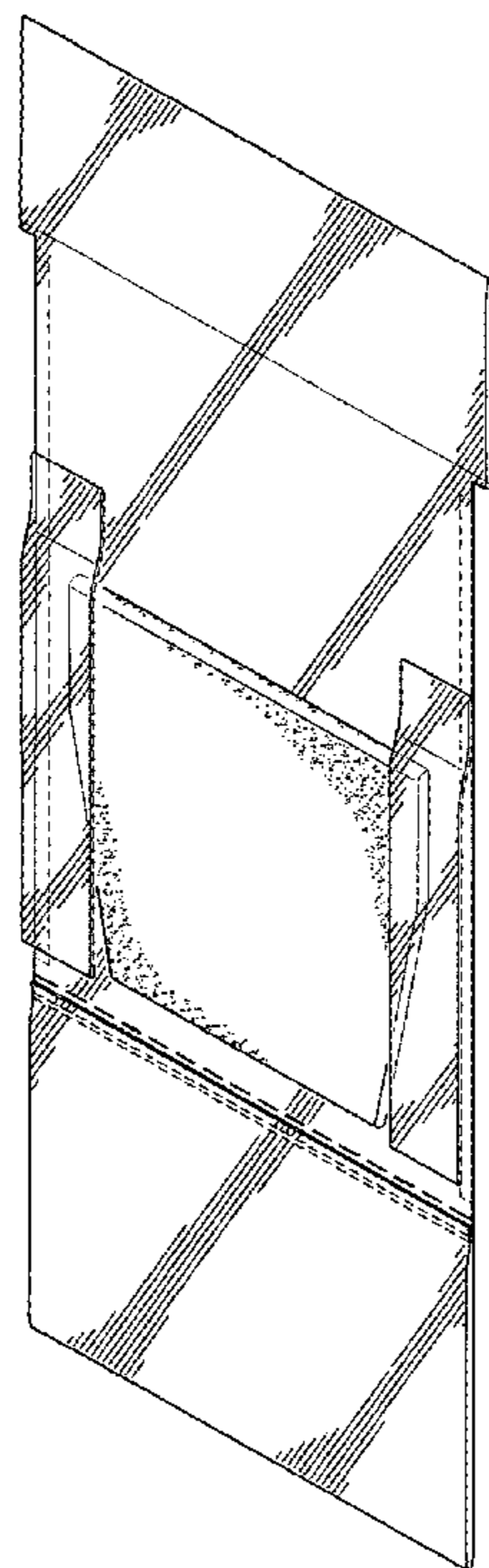
FIG. 1 is a perspective view of a transport wheelchair cover, showing my new design in use;
FIG. 2 is a Front view thereof;
FIG. 3 is a Back view thereof;
FIG. 4 is a Left side view thereof;
FIG. 5 is a Right side view thereof;
FIG. 6 is a Top view thereof;
FIG. 7 is a Bottom view thereof; and,
FIG. 8 is a perspective view thereof; affixed to a transport wheelchair.
The broken lines are for environmental purposes only and form no parts of the claimed design.

1 Claim, 6 Drawing Sheets

(56) **References Cited**

U.S. PATENT DOCUMENTS

- 4,932,077 A * 6/1990 Dobbs A61G 5/10
2/47
- 5,121,938 A * 6/1992 Gross A47C 31/11
280/304.1
- D396,984 S * 8/1998 Harvey D6/611
- D430,079 S * 8/2000 Catron-Batts D12/133
- 6,315,306 B1 11/2001 Fernie et al.
- 6,866,337 B1 * 3/2005 Lash A47C 31/11
297/188.2
- 7,581,259 B2 * 9/2009 Thompson A47G 9/066
2/69.5
- D626,462 S * 11/2010 Stopyra D12/133



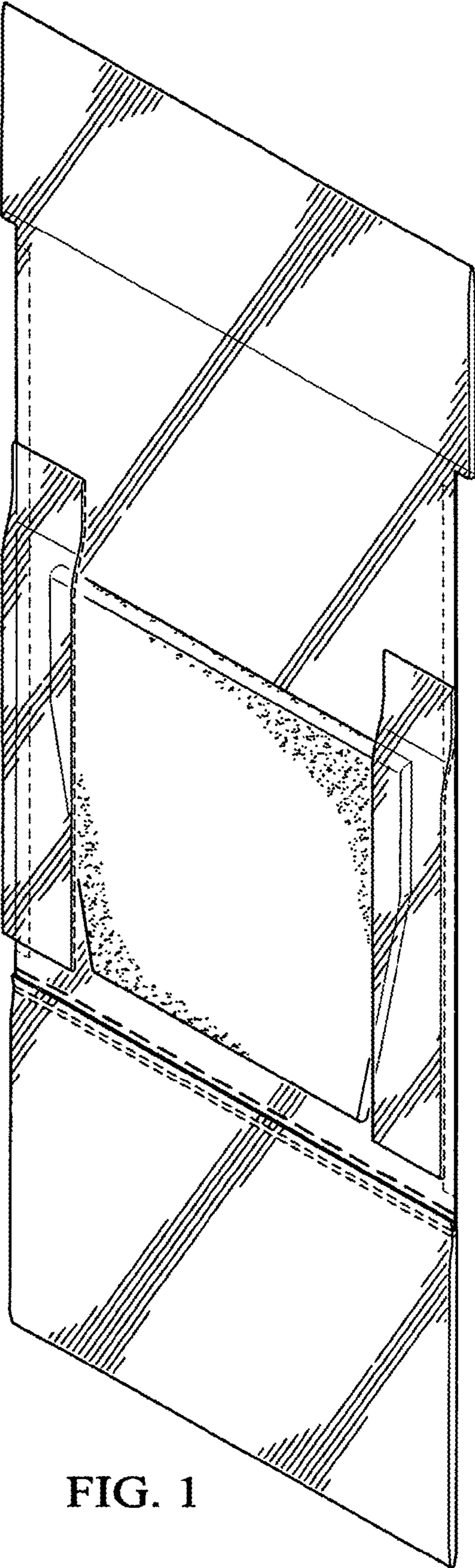


FIG. 1

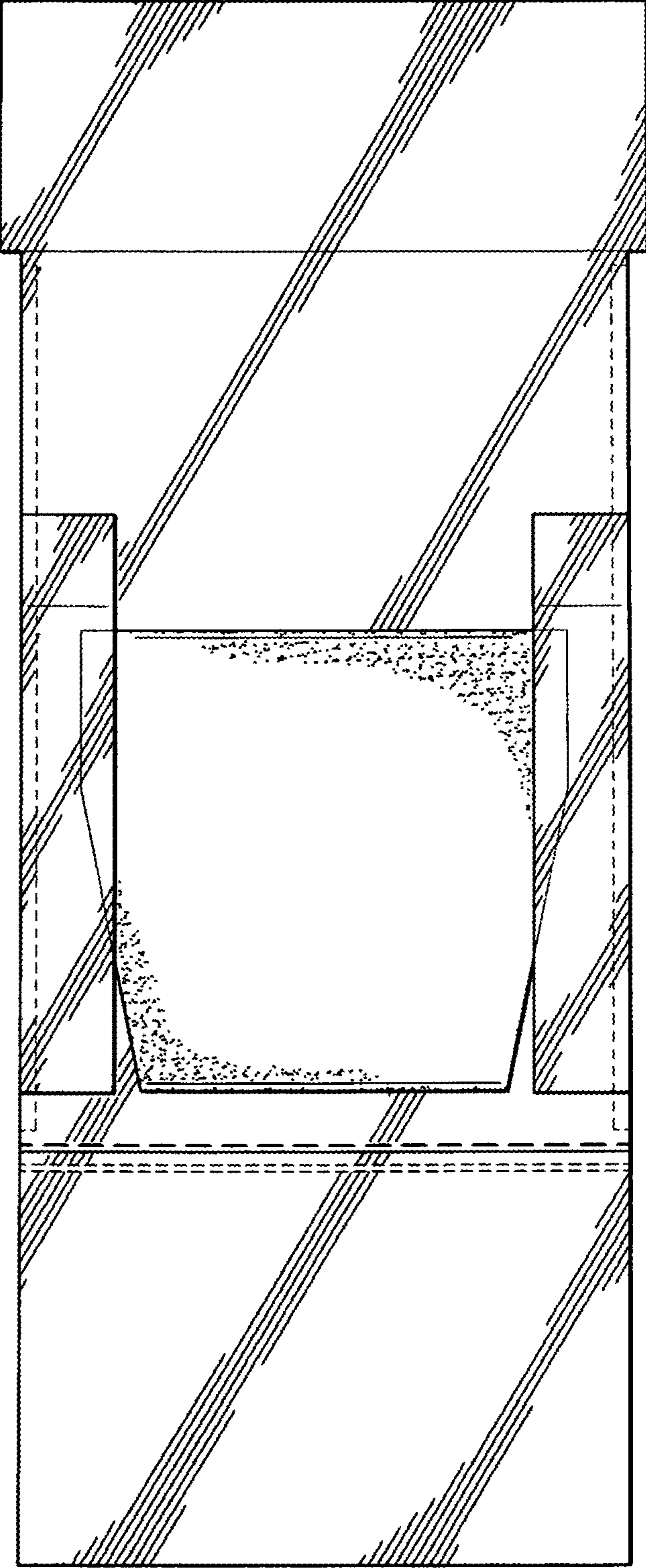


FIG. 2

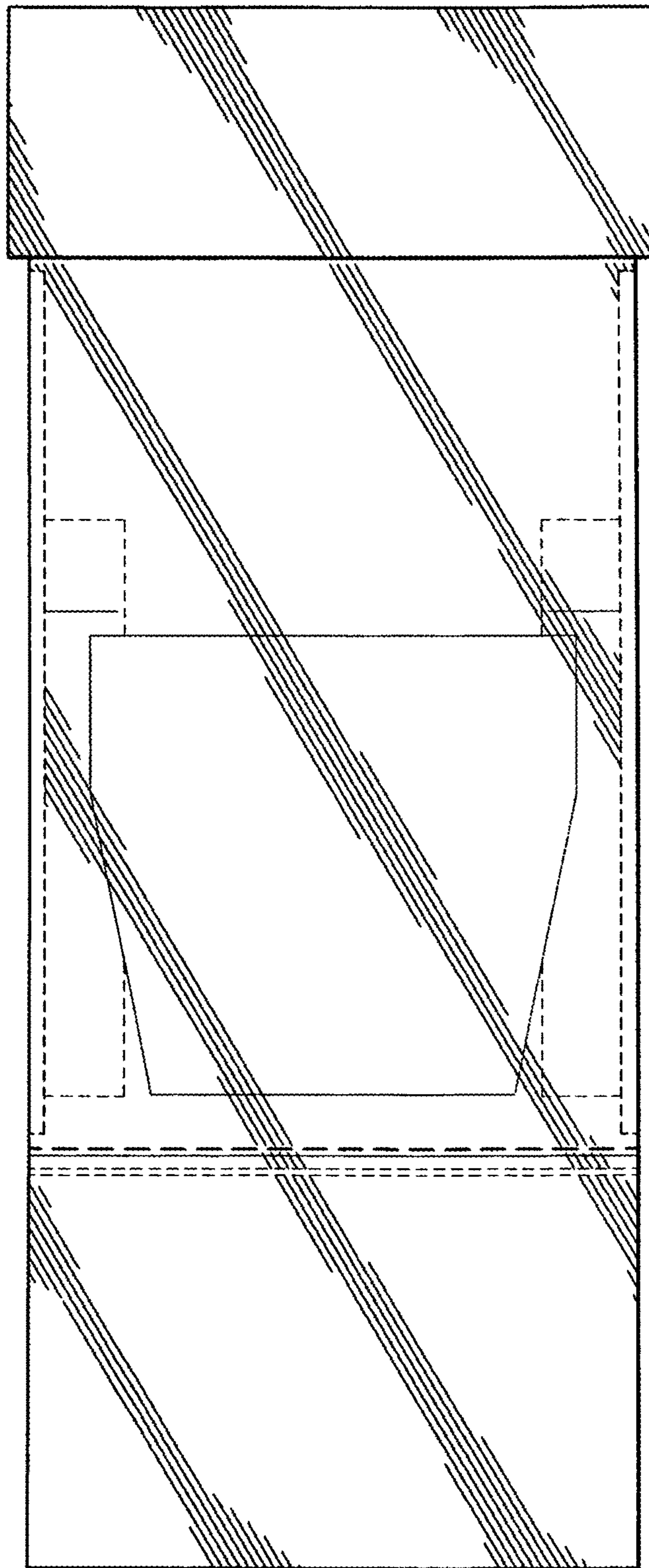


FIG. 3



FIG. 4



FIG. 5

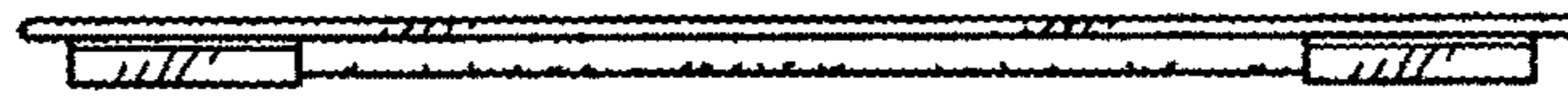


FIG. 6

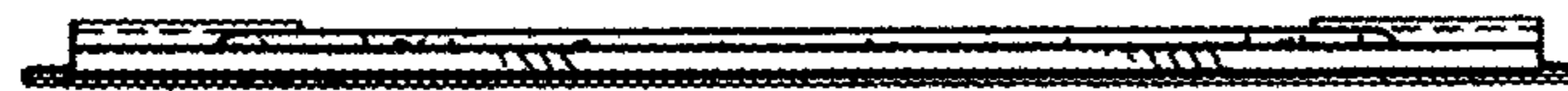


FIG. 7

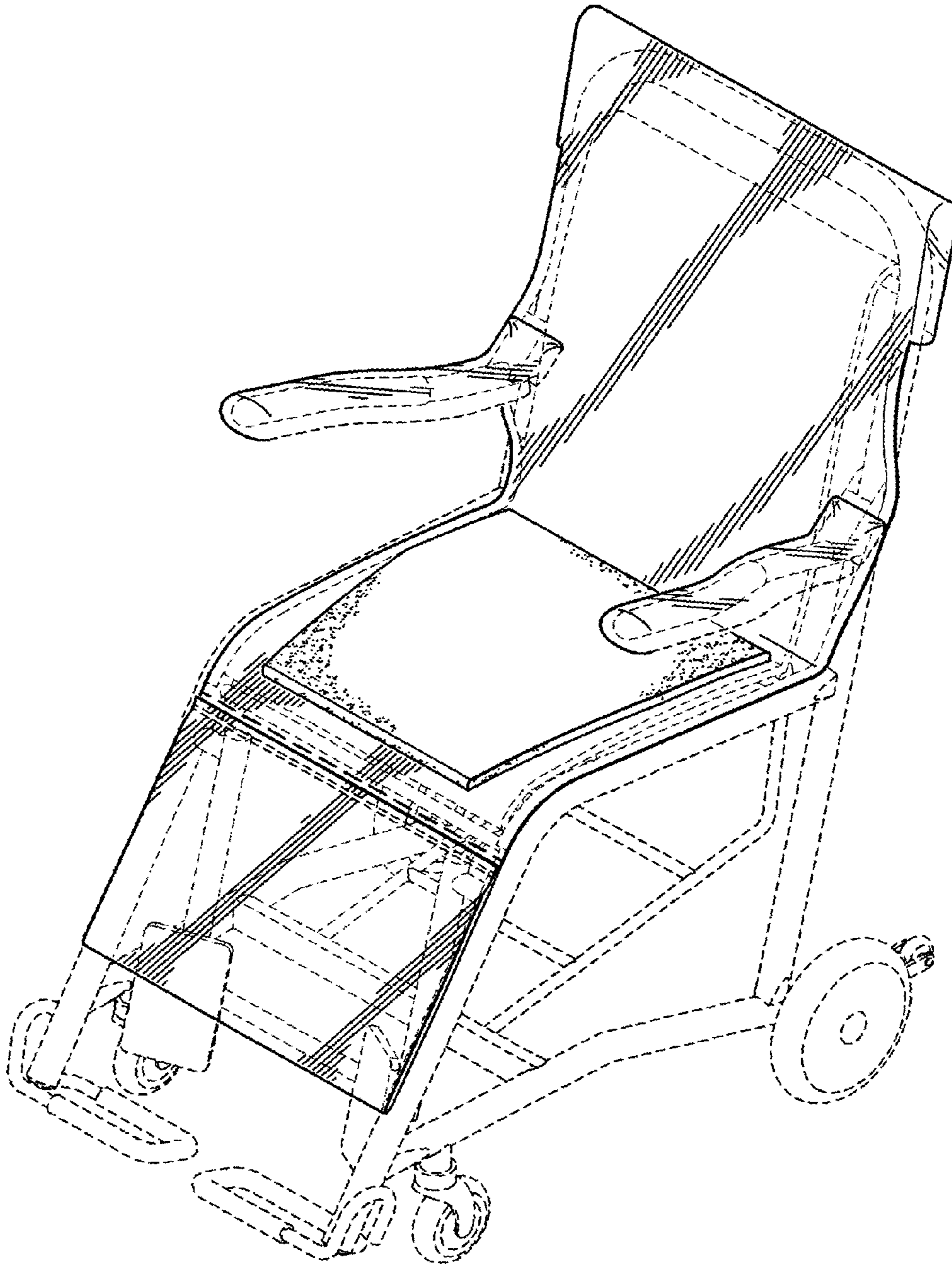


FIG. 8