



US00D749015S

(12) **United States Design Patent**  
**Hillenbrand, II et al.**

(10) **Patent No.:** **US D749,015 S**  
(45) **Date of Patent:** **\*\* Feb. 9, 2016**

(54) **SHEET RECEIVER FOR A PATIENT REPOSITIONING SYSTEM**

(71) Applicant: **Hillenbrand Management Company LLC**, Batesville, IN (US)

(72) Inventors: **William A. Hillenbrand, II**, Batesville, IN (US); **Timothy Savage**, Batesville, IN (US); **Joseph Kummer**, Cincinnati, OH (US); **Jeffrey Woodall**, Greenfield, IN (US); **Andrew Rogier**, Batesville, IN (US); **David Hornbach**, Brookville, IN (US)

(73) Assignee: **Hillenbrand Management Company LLC**, Batesville, IN (US)

(\*\*) Term: **14 Years**

(21) Appl. No.: **29/466,968**

(22) Filed: **Sep. 13, 2013**

(51) **LOC (10) Cl.** ..... **12-12**

(52) **U.S. Cl.**  
USPC ..... **D12/133**

(58) **Field of Classification Search**  
USPC ..... D12/128-133  
CPC ..... A61G 1/04; A61G 1/00; A61G 1/044;  
A61G 1/048; A61G 1/0212; A61G 1/003;  
A61G 1/0237; A61G 1/0231; A61G 1/0262;  
A61G 1/052; A61G 1/0562; A61G 1/0567;  
A61G 7/0504; A61G 7/103; A61G 7/1046;  
A61G 13/105

See application file for complete search history.

(56) **References Cited**

**U.S. PATENT DOCUMENTS**

1,659,755 A 10/1900 Moulton  
2,827,642 A 3/1958 Huff  
3,466,679 A 9/1969 Hess  
3,597,774 A 8/1971 Warren  
3,641,600 A 2/1972 Oats

4,003,704 A 1/1977 Zurolo et al.  
4,025,973 A 5/1977 Walbrecht  
4,042,985 A 8/1977 Raczkowski  
D280,024 S \* 8/1985 Risi et al. .... D25/113  
D289,992 S \* 5/1987 Schrage ..... D12/132  
4,747,170 A 5/1988 Knouse  
4,776,047 A \* 10/1988 DiMatteo ..... 5/81.1 C  
4,796,313 A 1/1989 DiMatteo et al.  
4,819,283 A 4/1989 DiMatteo et al.  
4,821,352 A 4/1989 DiMatteo et al.  
4,837,872 A 6/1989 DiMatteo et al.  
4,837,873 A 6/1989 DiMatteo et al.  
4,843,665 A 7/1989 Cockel et al.  
4,926,513 A 5/1990 Oats

(Continued)

*Primary Examiner* — Susan Bennett Hattan

*Assistant Examiner* — Charles Hanson

(74) *Attorney, Agent, or Firm* — Wood, Herron & Evans, LLP

(57) **CLAIM**

The ornamental design for a sheet receiver for a patient repositioning system, as shown and described.

**DESCRIPTION**

FIG. 1 is a front perspective view of a first embodiment of a sheet receiver for a patient repositioning system according to the present invention.

FIG. 2 is a rear perspective view of the sheet receiver shown in FIG. 1.

FIG. 3 is a front view thereof.

FIG. 4 is a right side view thereof; the left side view being a mirror image thereof.

FIG. 5 is a rear view thereof.

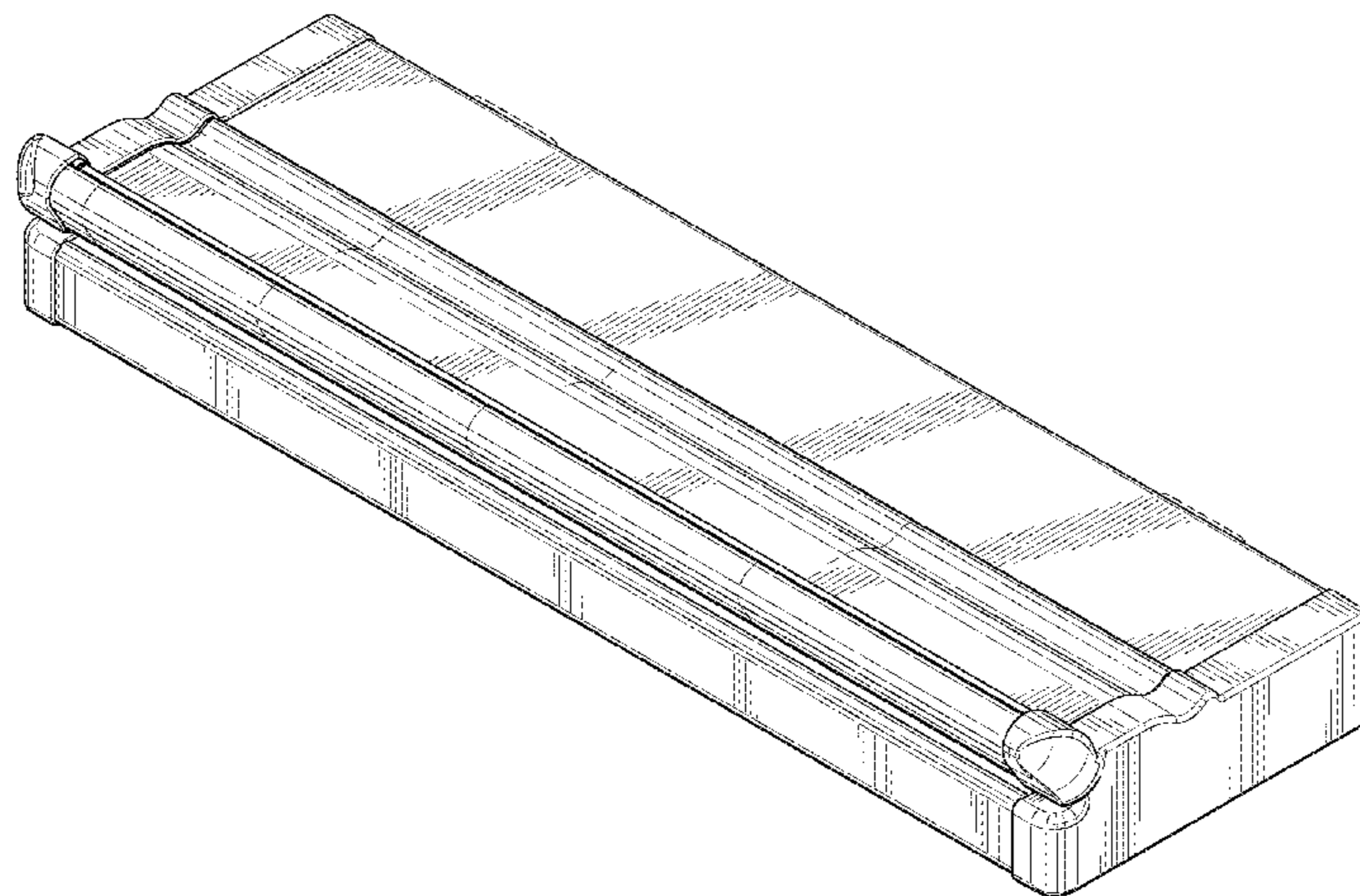
FIG. 6 is a top view thereof; and,

FIG. 7 is a bottom view thereof.

The broken lines adjacent to shaded or sectional portions are an unclaimed boundary of the design and form no part of the claimed design.

The dash-dot lines are shown for environmental purpose only and form no part of the claimed design.

**1 Claim, 5 Drawing Sheets**



(56)

References Cited

U.S. PATENT DOCUMENTS

4,939,798	A	7/1990	Last				
4,941,220	A	7/1990	DiMatteo et al.				
4,970,738	A *	11/1990	Cole .....	5/81.1 C			
D312,992	S *	12/1990	Liebman .....	D12/128			
5,016,306	A	5/1991	Grivna et al.				
5,020,171	A	6/1991	DiMatteo et al.				
5,083,332	A *	1/1992	Foster et al. ....	5/185			
5,084,927	A	2/1992	Parkevich				
5,127,113	A	7/1992	Di Matteo et al.				
5,179,744	A *	1/1993	Foster et al. ....	5/600			
5,185,894	A	2/1993	Bastert et al.				
5,280,657	A	1/1994	Stagg				
5,319,813	A	6/1994	DiMatteo et al.				
5,469,588	A	11/1995	DiMatteo et al.				
5,608,929	A	3/1997	Crane				
5,697,109	A	12/1997	Hodgetts				
5,718,009	A	2/1998	Lin				
5,737,781	A	4/1998	Votel				
D402,434	S	12/1998	Votel				
5,890,238	A	4/1999	Votel				
5,901,388	A	5/1999	Cowan				
5,996,144	A	12/1999	Hodgetts				
6,073,291	A *	6/2000	Davis .....	5/711			
6,282,734	B1	9/2001	Holberg				
6,289,533	B1	9/2001	Hodgetts				
6,341,393	B1	1/2002	Votel				
6,363,555	B1	4/2002	LaRose				
6,378,148	B1	4/2002	Votel				
6,496,991	B1	12/2002	Votel				
6,499,156	B1	12/2002	Dirst				
6,594,837	B2	7/2003	Khait				
6,611,974	B2	9/2003	Roit et al.				
6,615,423	B2	9/2003	Sverdlik et al.				
6,629,323	B2	10/2003	Sverdlik et al.				
6,772,456	B2	8/2004	Votel				
7,003,819	B2	2/2006	Weigand				
7,111,338	B2	9/2006	Faux et al.				
7,191,479	B1	3/2007	Cheng				
7,228,579	B2 *	6/2007	Tidwell .....	5/624			
7,293,303	B2	11/2007	Worrell				
7,305,725	B2	12/2007	Burton				
7,337,478	B1	3/2008	Lake				
7,458,113	B2	12/2008	Milam				
7,487,558	B2	2/2009	Risk, Jr. et al.				
7,725,964	B2	6/2010	Minning et al.				
7,805,789	B1 *	10/2010	Dean .....	5/662			
7,904,976	B2 *	3/2011	Hakamiun et al. ....	5/53.1			
7,950,080	B2 *	5/2011	Brossart et al. ....	5/81.1 C			
7,992,237	B2	8/2011	Minning et al.				
8,087,109	B2	1/2012	Hillenbrand, II				
8,108,957	B2 *	2/2012	Richards et al. ....	5/600			
8,156,582	B2	4/2012	Rupar et al.				
8,250,686	B2	8/2012	Minning et al.				
8,397,327	B2 *	3/2013	O'Reagan .....	5/739			
8,453,276	B2	6/2013	Hillenbrand, II				
8,555,440	B2 *	10/2013	Lewis .....	5/713			
8,584,279	B2 *	11/2013	Richards et al. ....	5/600			
8,756,725	B2 *	6/2014	Piegdon et al. ....	5/81.1 R			
8,984,681	B2 *	3/2015	Ponsi .....	5/81.1 R			
2005/0217023	A1	10/2005	Tally				
2005/0235415	A1	10/2005	Pedersen et al.				
2006/0273292	A1	12/2006	Milam				
2012/0144581	A1	6/2012	Roberg				
2012/0297544	A1	11/2012	Griswold et al.				
2012/0299353	A1	11/2012	Griswold et al.				
2013/0191990	A1	8/2013	Minning et al.				

\* cited by examiner

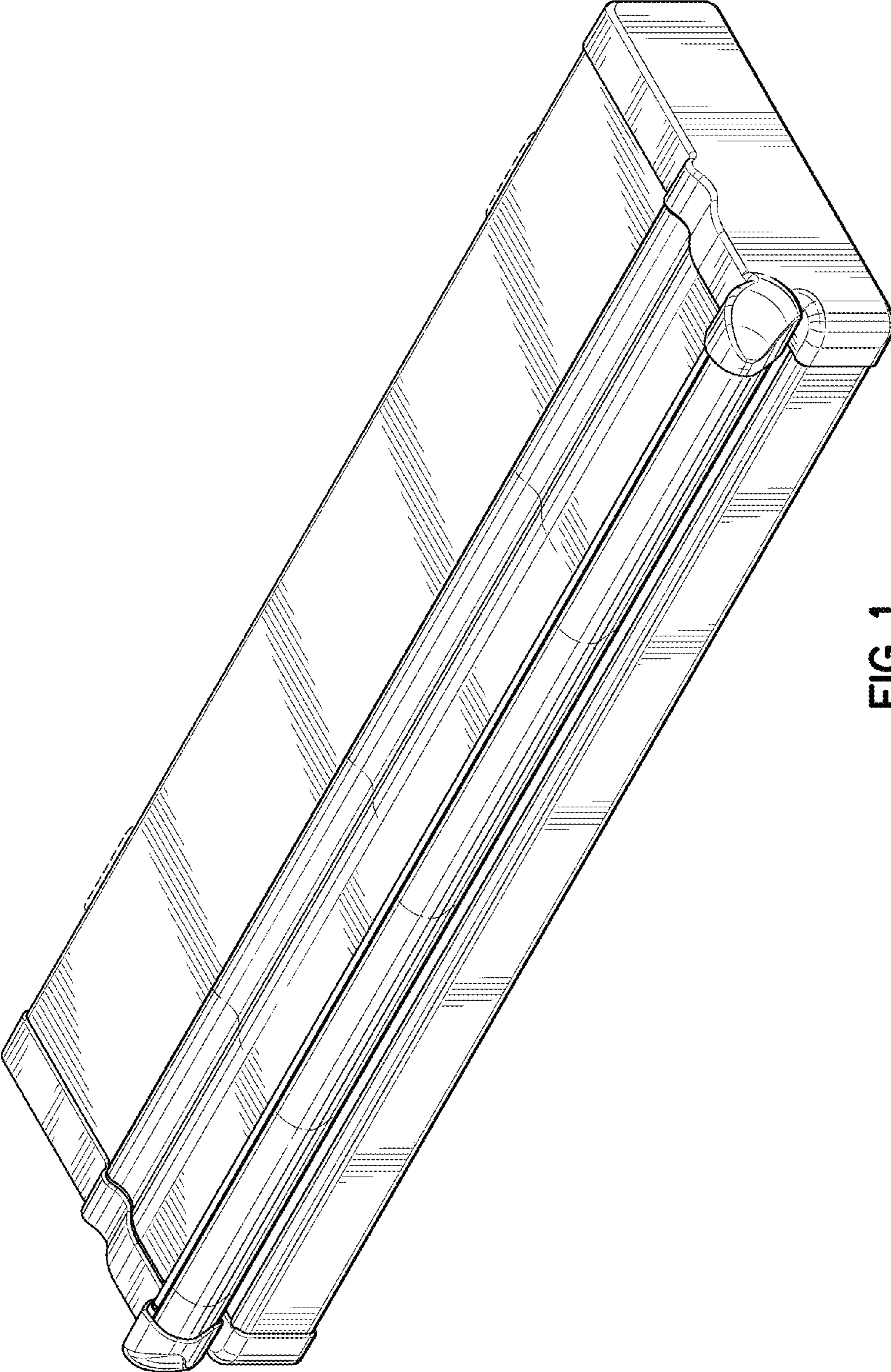


FIG. 1

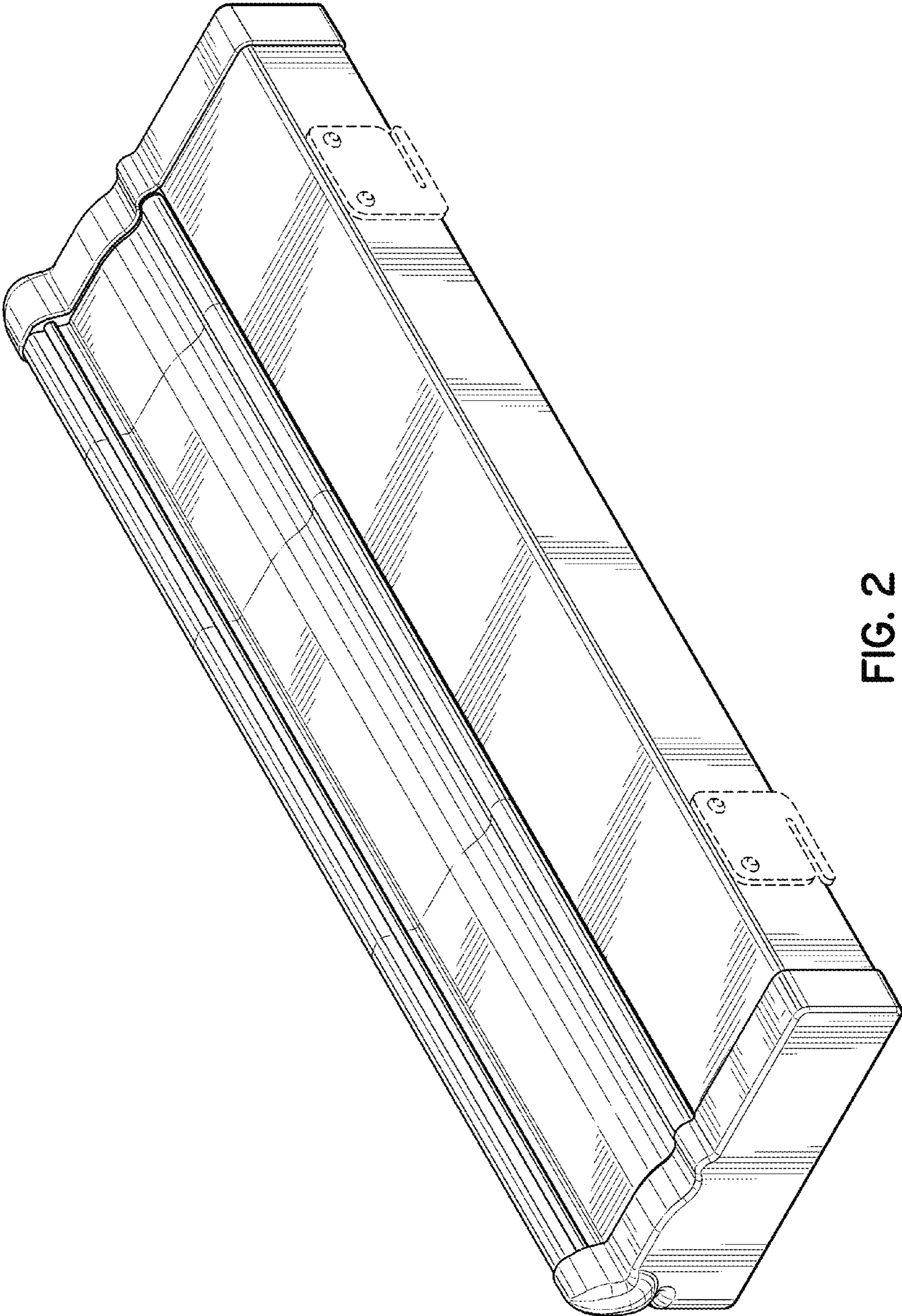


FIG. 2

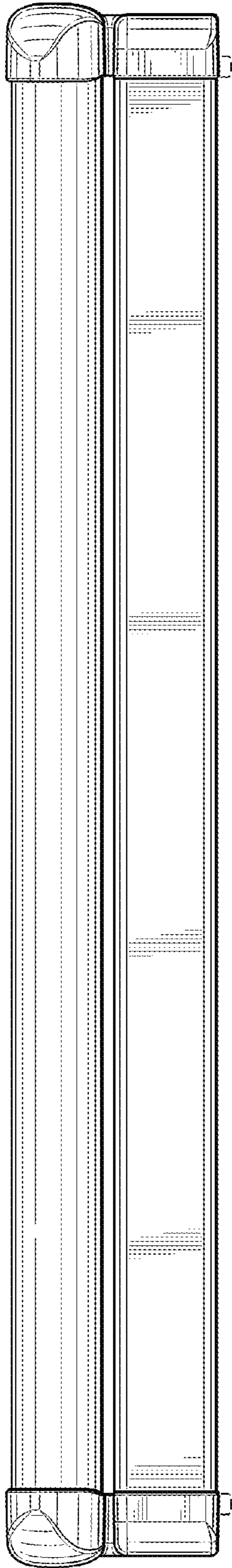


FIG. 3

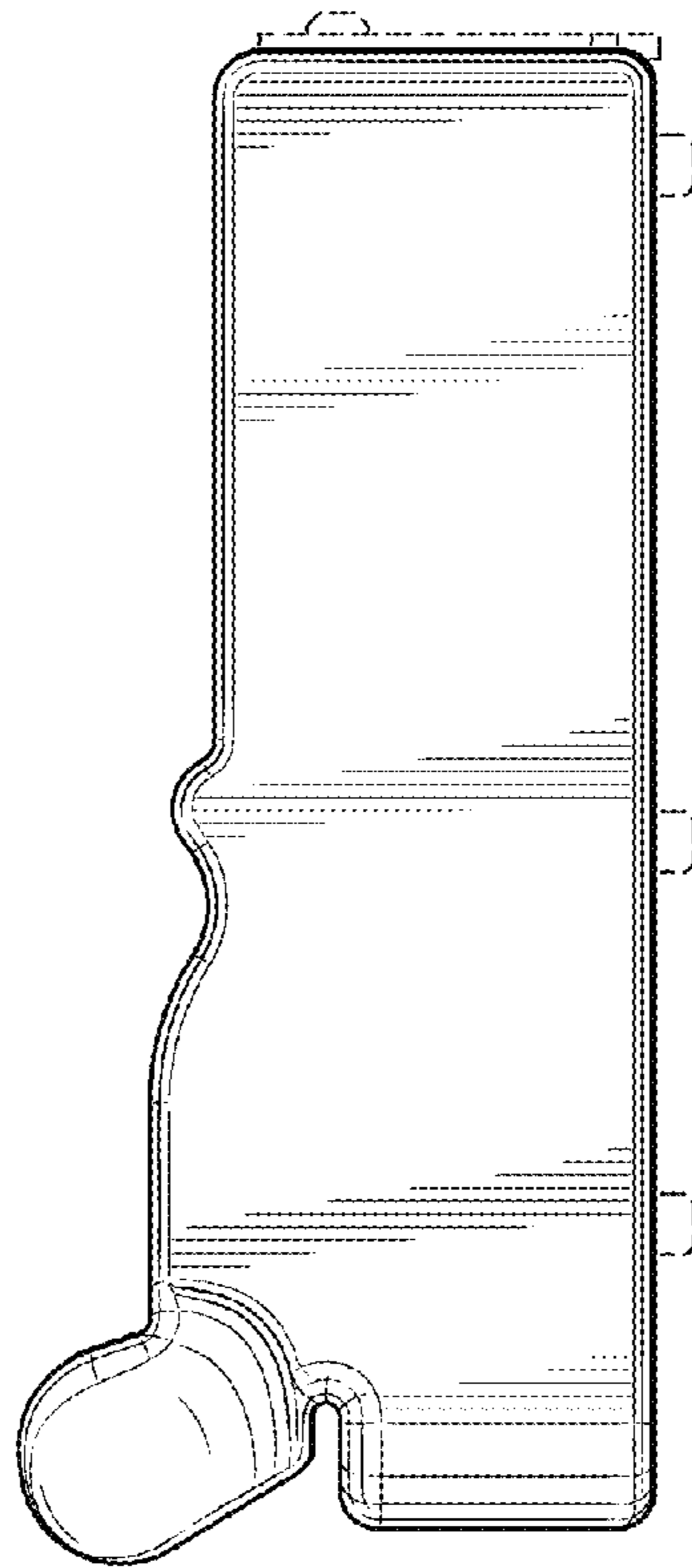


FIG. 4

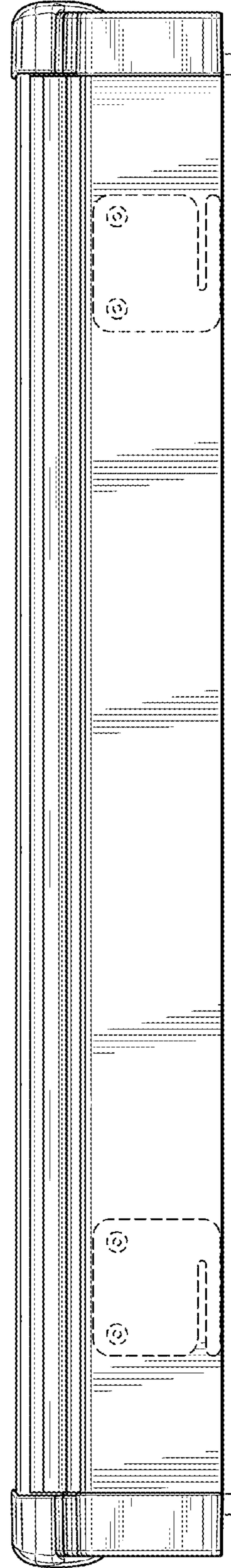


FIG. 5

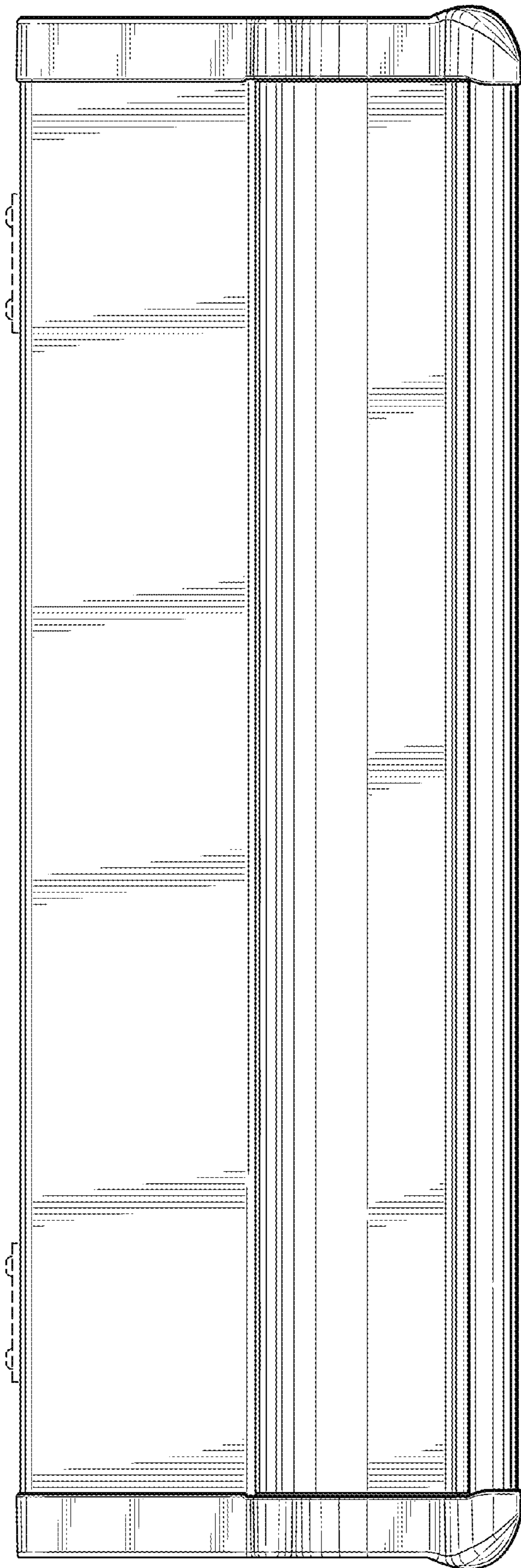


FIG. 6

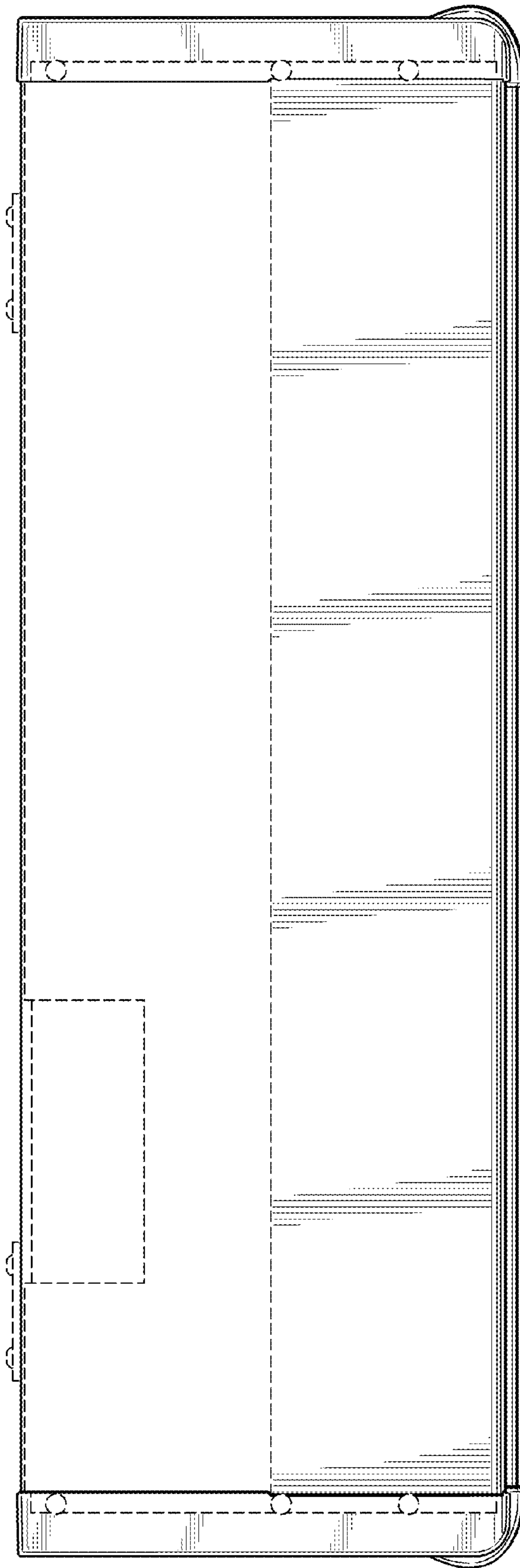


FIG. 7