



US00D749014S

(12) **United States Design Patent**
Valentino et al.

(10) **Patent No.:** **US D749,014 S**

(45) **Date of Patent:** **** Feb. 9, 2016**

(54) **LEGS OF A PATIENT TRANSPORT DEVICE**

4,155,588 A 5/1979 Danziger et al.
D289,992 S 5/1987 Schrager
4,682,810 A 7/1987 Zarka

(71) Applicant: **Ferno-Washington, Inc.**, Wilmington, OH (US)

(Continued)

(72) Inventors: **Nicholas V. Valentino**, Springboro, OH (US); **Brian M. Magill**, Morrow, OH (US); **Kemal B. Oz**, Dublin, OH (US); **Timothy P. Schroeder**, Mason, OH (US)

FOREIGN PATENT DOCUMENTS

AU 353436 S 8/2014
AU 354706 S 8/2014

(Continued)

(73) Assignee: **Ferno-Washington, Inc.**, Wilmington, OH (US)

OTHER PUBLICATIONS

Australian Examination Report for Registration No. 353436 dated Jul. 30, 2014.

(Continued)

(**) Term: **14 Years**

(21) Appl. No.: **29/520,863**

(22) Filed: **Mar. 18, 2015**

Related U.S. Application Data

(63) Continuation of application No. 29/458,153, filed on Jun. 17, 2013, now Pat. No. Des. 729,132.

(51) **LOC (10) Cl.** **12-12**

(52) **U.S. Cl.**

USPC **D12/132**

(58) **Field of Classification Search**

USPC D12/132

CPC A61G 1/04; A61G 1/00; A61G 1/044;

A61G 1/048; A61G 1/0212; A61G 1/003;

A61G 1/0237; A61G 1/0231; A61G 1/0262;

A61G 1/052; A61G 1/0562; A61G 1/0567;

A61G 7/0504; A61G 7/103; A61G 7/1046;

A61G 13/105

See application file for complete search history.

(56) **References Cited**

U.S. PATENT DOCUMENTS

2,203,204 A 6/1940 Nicolai
3,631,546 A 1/1972 Eliasson
4,037,871 A 7/1977 Bourgraf et al.

(57) **CLAIM**

The ornamental design for legs of a patient transport device, as shown and described.

DESCRIPTION

FIG. 1 is a right side elevation view of legs of a patient transport device illustrating an embodiment of my new design;

FIG. 2 is a left side elevation view thereof;

FIG. 3 is a rear elevation view thereof;

FIG. 4 is a front elevation view thereof;

FIG. 5 is a top plan view thereof;

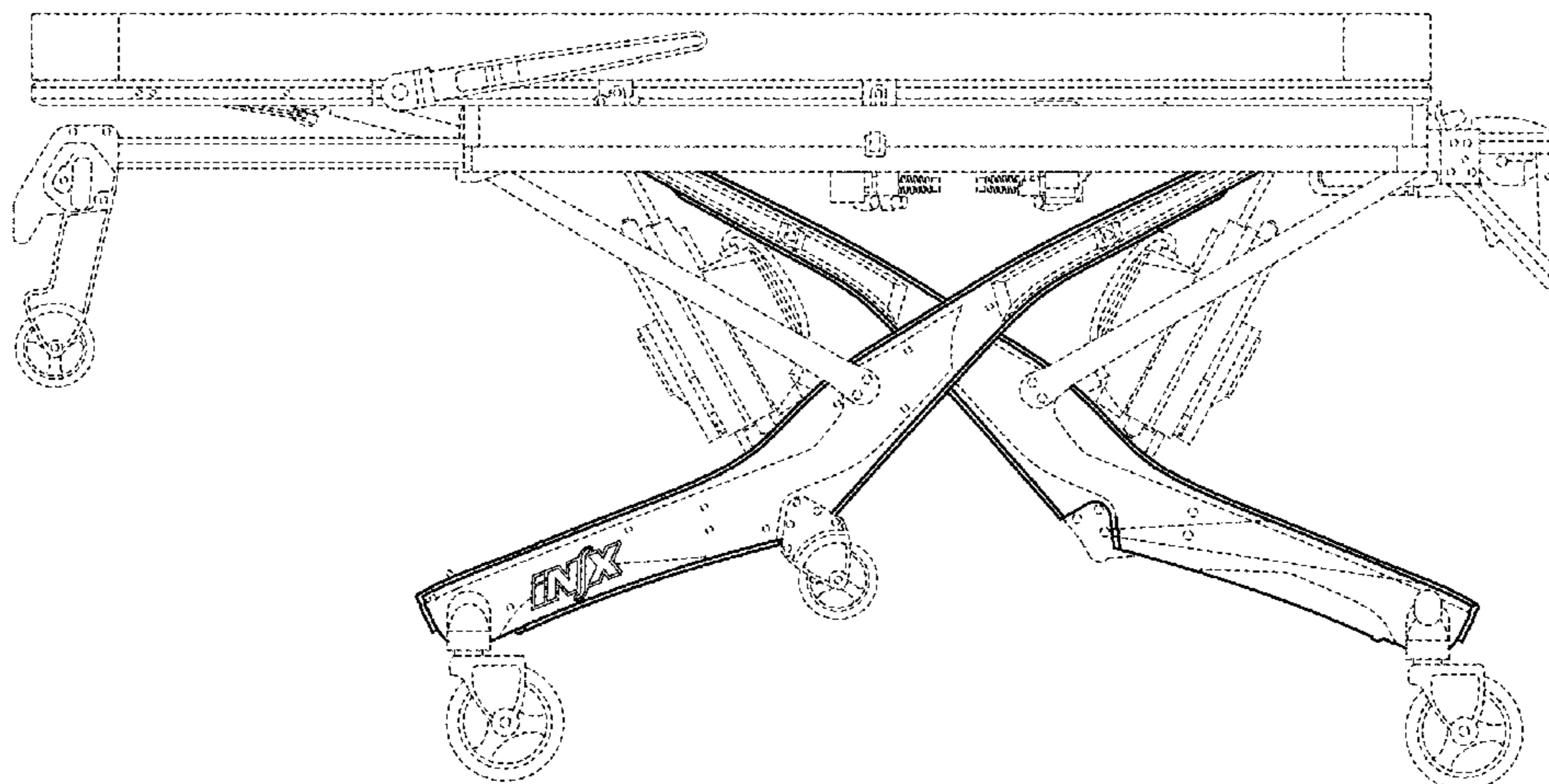
FIG. 6 is a bottom plan view thereof;

FIG. 7 is a left side isometric view thereof; and,

FIG. 8 is a bottom isometric view thereof.

The broken lines in the drawings are included for the purpose of illustrating environmental structure and forms no part of the claimed design.

1 Claim, 7 Drawing Sheets



(56)

References Cited

U.S. PATENT DOCUMENTS

4,745,647 A 5/1988 Goodwin
 4,761,841 A 8/1988 Larsen
 4,921,295 A 5/1990 Stollenwerk
 5,015,024 A 5/1991 Bloemer
 5,023,968 A 6/1991 Diehl et al.
 5,084,922 A 2/1992 Louit
 5,088,136 A 2/1992 Stryker et al.
 5,431,087 A 7/1995 Kambara
 5,509,159 A 4/1996 Du-Bois
 5,586,346 A 12/1996 Stacy et al.
 5,720,057 A 2/1998 Duncan
 5,774,914 A 7/1998 Johnson et al.
 5,839,136 A 11/1998 Vance et al.
 6,311,952 B2 11/2001 Bainter
 D454,319 S 3/2002 Ito
 6,654,973 B2 12/2003 Van Den Heuvel et al.
 6,735,794 B1 5/2004 Way et al.
 6,976,696 B2 12/2005 O’Krangley et al.
 7,013,510 B1 3/2006 Johnson
 7,621,003 B2 11/2009 Myers et al.
 D606,910 S 12/2009 Malassigne et al.
 7,631,373 B2 12/2009 Broadley et al.
 7,641,211 B2 1/2010 Ivanchenko
 7,841,611 B2 11/2010 Ivanchenko
 7,941,881 B2 5/2011 Hayes et al.
 7,996,939 B2 8/2011 Benedict et al.
 8,051,513 B2 11/2011 Reed et al.
 8,056,950 B2 11/2011 Souke et al.
 8,100,307 B2 1/2012 Chinn et al.
 8,240,410 B2 8/2012 Heimbrock et al.
 RE44,884 E 5/2014 Lambarth
 8,714,612 B2 5/2014 Chinn
 D729,132 S * 5/2015 Valentino D12/132
 D729,702 S * 5/2015 Valentino D12/132
 2002/0056162 A1 * 5/2002 Flynn A61G 1/0567
 5/611
 2002/0174486 A1 * 11/2002 Heuvel A61G 1/0567
 5/611
 2004/0088792 A1 5/2004 O’Krangley et al.
 2006/0075558 A1 * 4/2006 Lambarth A61G 1/0212
 5/611
 2006/0082176 A1 * 4/2006 Broadley A61G 1/0293
 296/20
 2006/0096029 A1 5/2006 Osborne et al.
 2006/0225203 A1 10/2006 Hosoya et al.
 2006/0265807 A1 * 11/2006 Choy A61G 1/0293
 5/611
 2007/0163044 A1 * 7/2007 Arnold A61G 1/04
 5/611
 2008/0128571 A1 6/2008 Dostaler et al.
 2009/0165208 A1 7/2009 Reed et al.
 2009/0172883 A1 7/2009 Benedict et al.
 2009/0313758 A1 12/2009 Menkedick et al.

2010/0306921 A1 12/2010 Kramer
 2011/0266821 A1 * 11/2011 Goto A61G 1/048
 296/20
 2012/0275896 A1 * 11/2012 Magill A61G 1/056
 414/800
 2013/0168987 A1 7/2013 Valentino et al.
 2014/0059768 A1 3/2014 Lemire et al.
 2014/0276269 A1 9/2014 Illindala

FOREIGN PATENT DOCUMENTS

CN 102781392 A 11/2012
 EP 1698314 B1 4/2010
 EP 2412355 A1 2/2012
 GB 2351439 A 1/2001
 JP 02-200262 8/1990
 NL 8901747 A 2/1991
 WO 2011088169 A1 7/2011

OTHER PUBLICATIONS

Preliminary Rejection pertaining to Korean Design Application No. 30-2013-063154 dated Sep. 2, 2014.
 Preliminary Rejection pertaining to Korean Design Application No. 30-2013-063155 dated Sep. 2, 2014.
 Preliminary Rejection pertaining to Korean Design Application No. 30-2013-063157 dated Sep. 2, 2014.
 Examiner’s Report pertaining to Canadian Design Patent Application No. 154348 dated May 13, 2014.
 Examiner’s Report pertaining to Canadian Design Patent Application No. 154349 dated May 13, 2014.
 Examiner’s Report pertaining to Canadian Design Patent Application No. 154350 dated May 13, 2014.
 Examiner’s Report pertaining to Canadian Design Patent Application No. 154351 dated May 13, 2014.
 Office Action pertaining to U.S. Appl. No. 29/442,947 dated Oct. 1, 2014.
 Final Rejection pertaining to U.S. Appl. No. 29/442,947 dated Apr. 22, 2015.
 Notice of Allowance pertaining to U.S. Appl. No. 29/442,947 dated Jul. 16, 2015.
 Australian Examination Report for Registration No. 354687 dated Oct. 2, 2014.
 Examination Report corresponding to Japanese Patent Application No. 2012-549057 dated Oct. 28, 2014.
 Chinese Office Action pertaining to Application No. 201180011448.8 dated Aug. 14, 2014.
 International Search Report and Written Opinion for Application No. PCT/US2013/051271 dated Jan. 15, 2014.
 International Search Report and Written Opinion for Application No. PCT/US2011/021069 dated May 25, 2011.
 Election/Restriction Requirement pertaining to U.S. Appl. No. 13/520,627 dated Nov. 3, 2014.

* cited by examiner

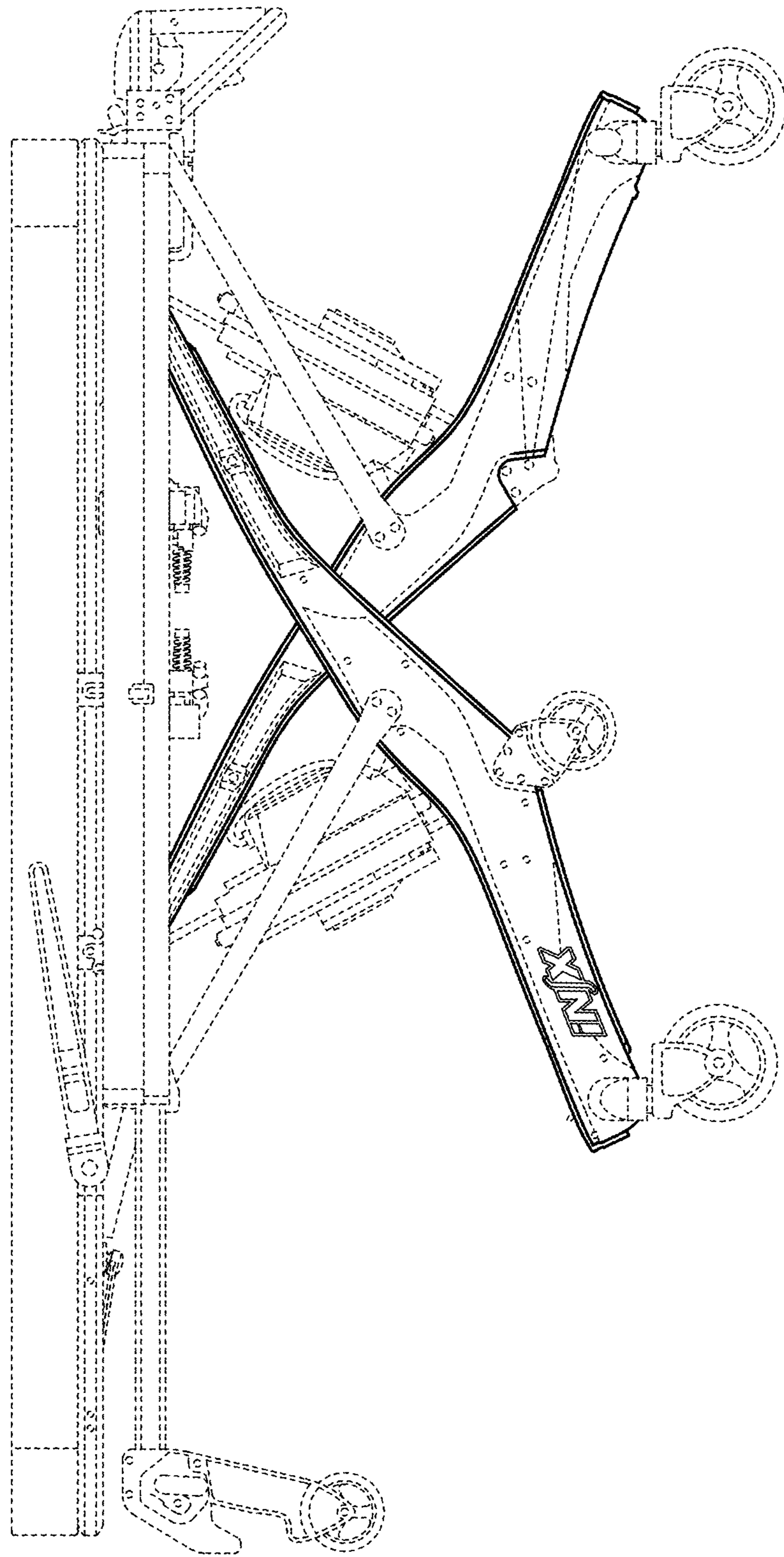


FIG. 1

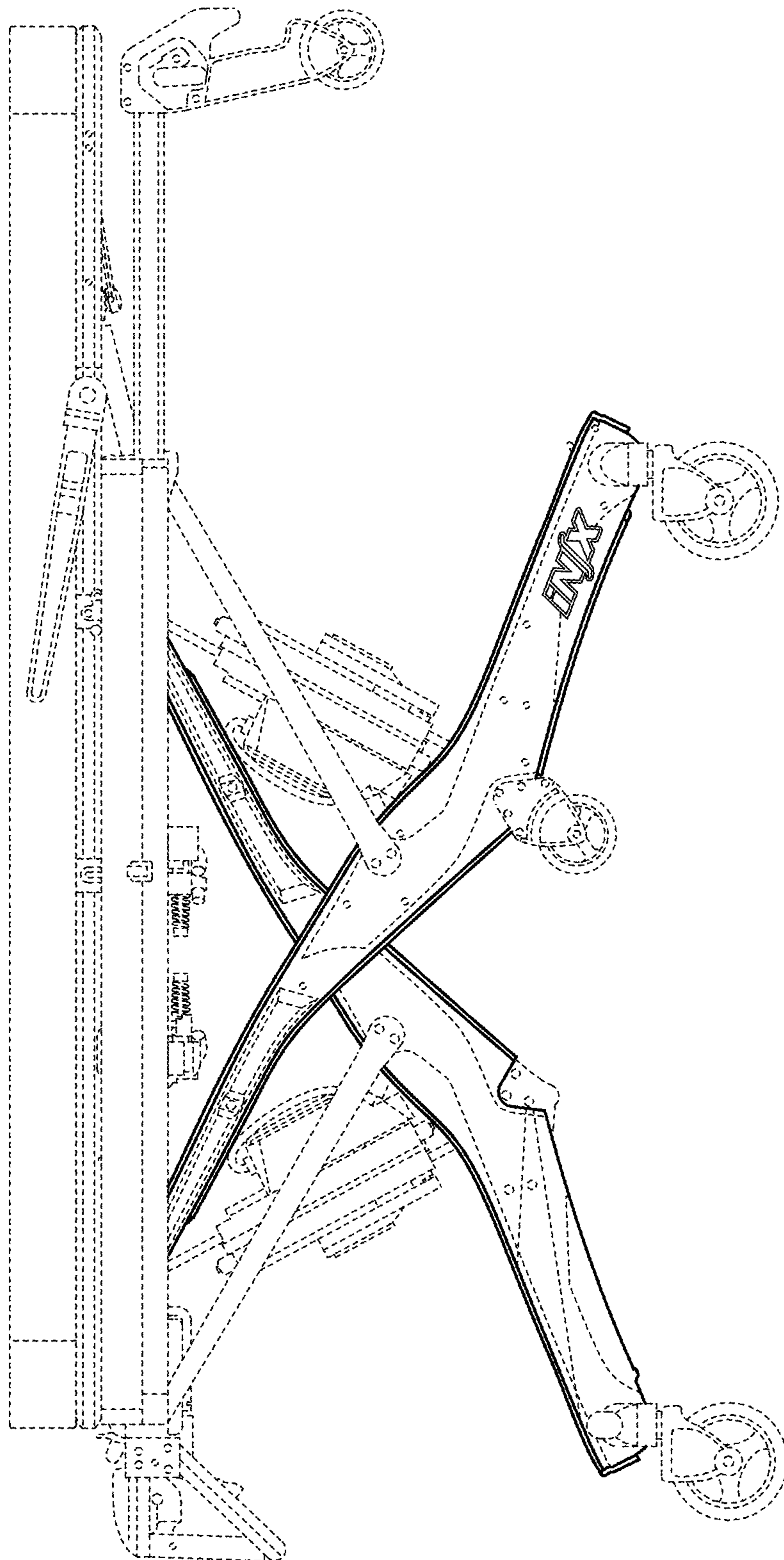


FIG. 2

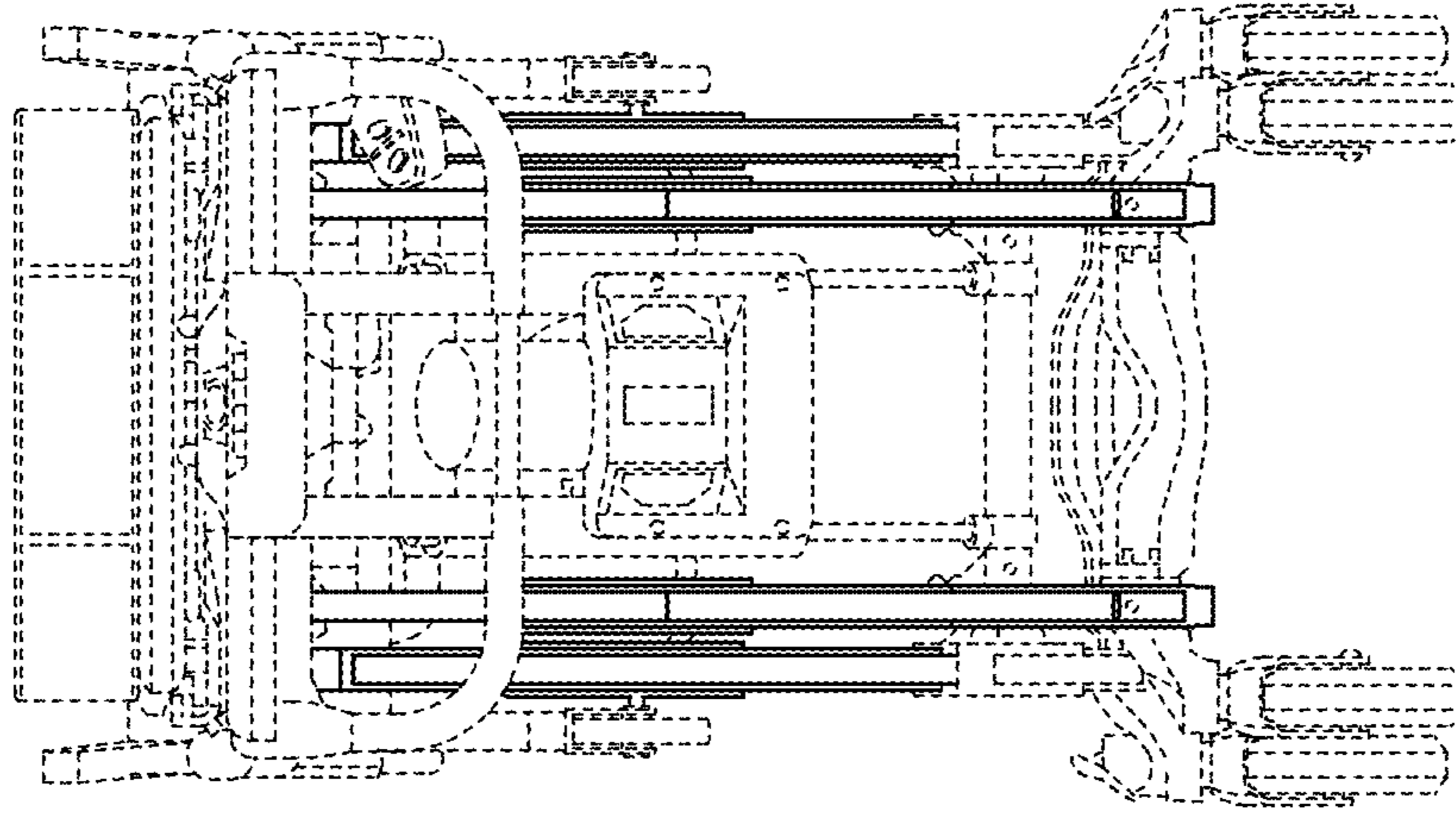


FIG. 4

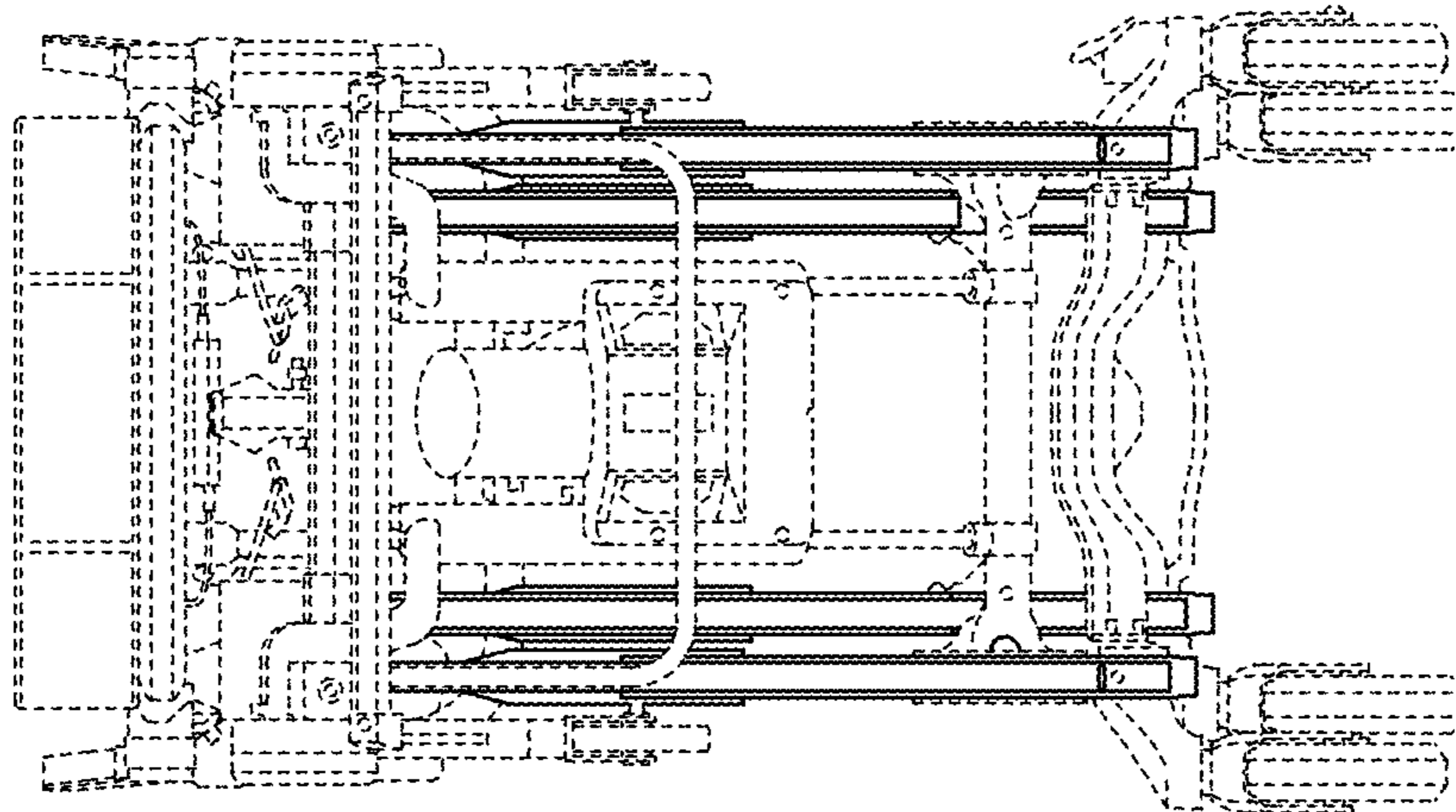


FIG. 3

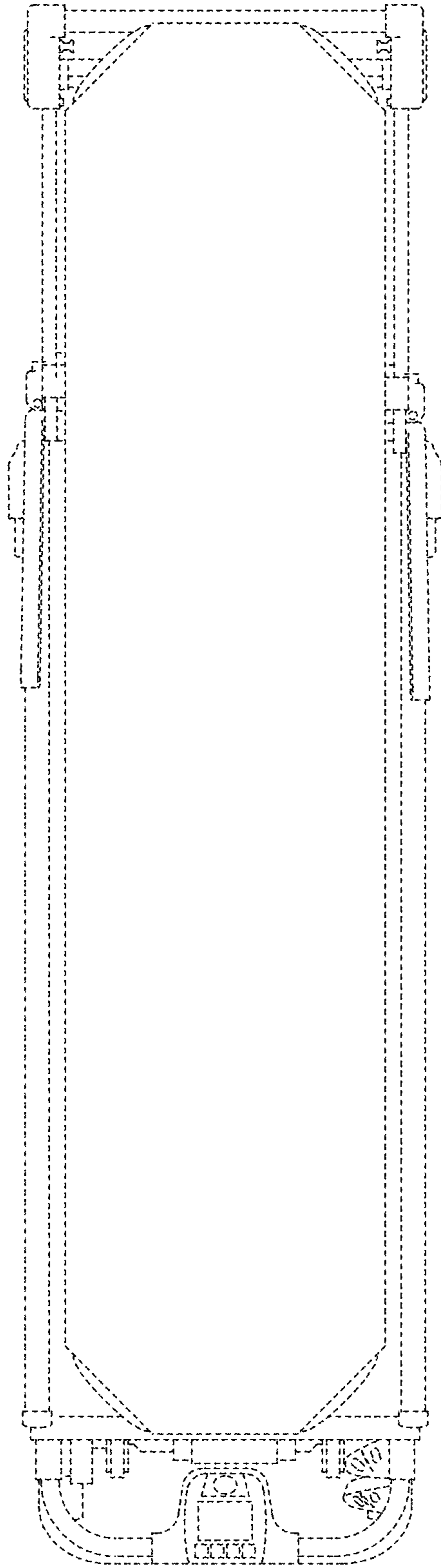


FIG. 5

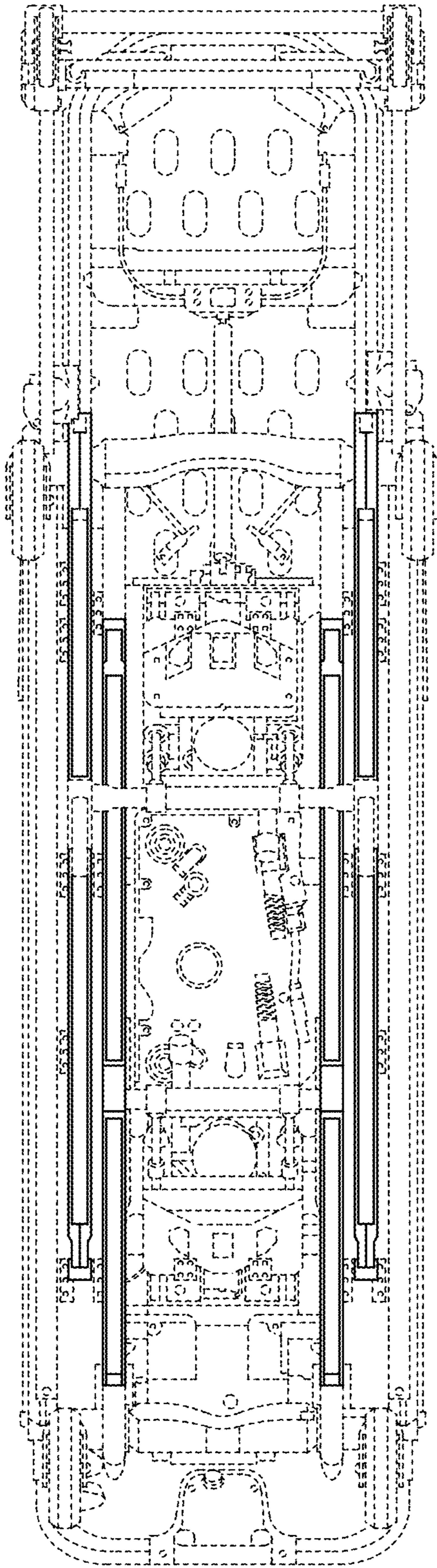


FIG. 6

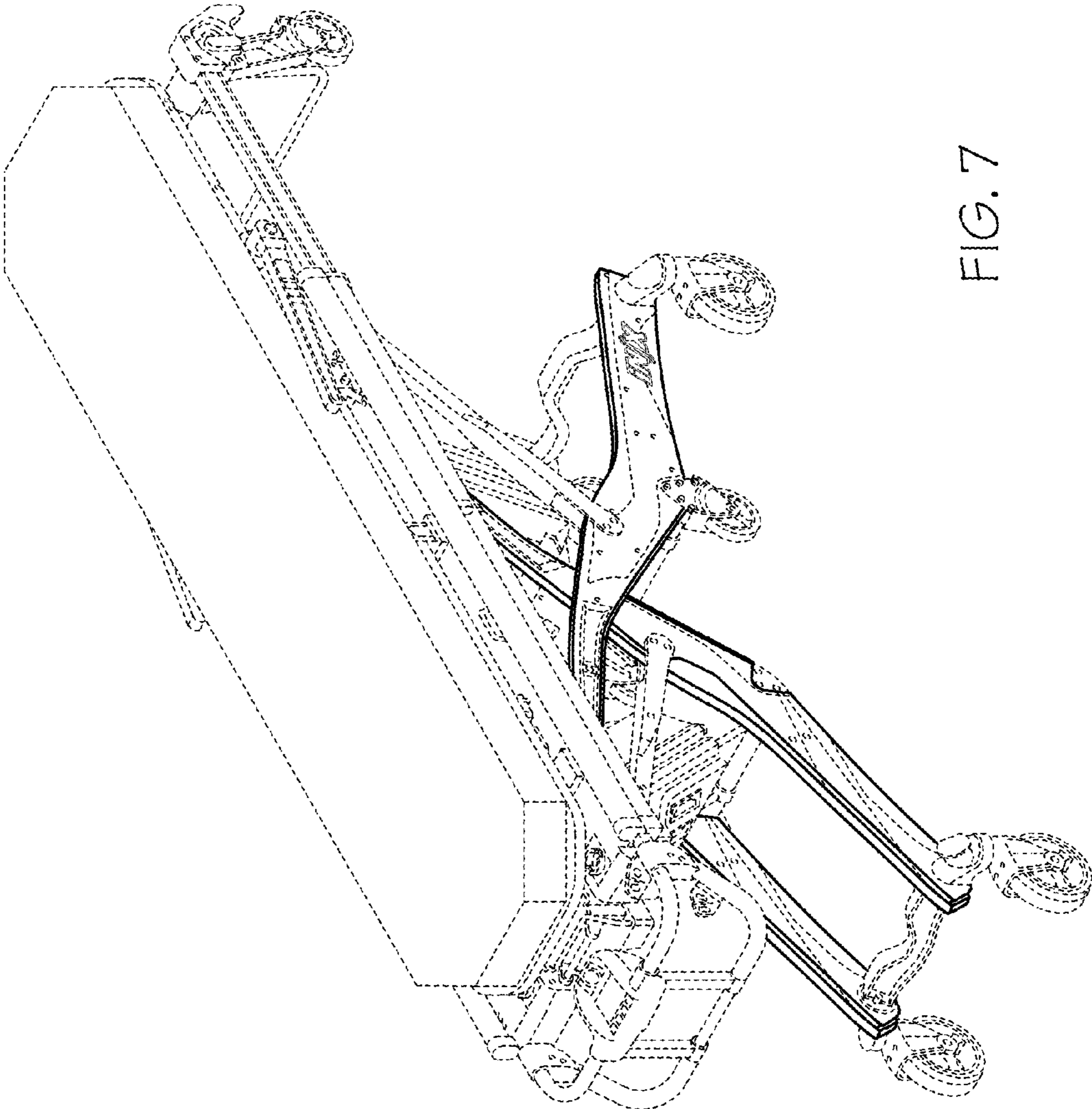


FIG. 7

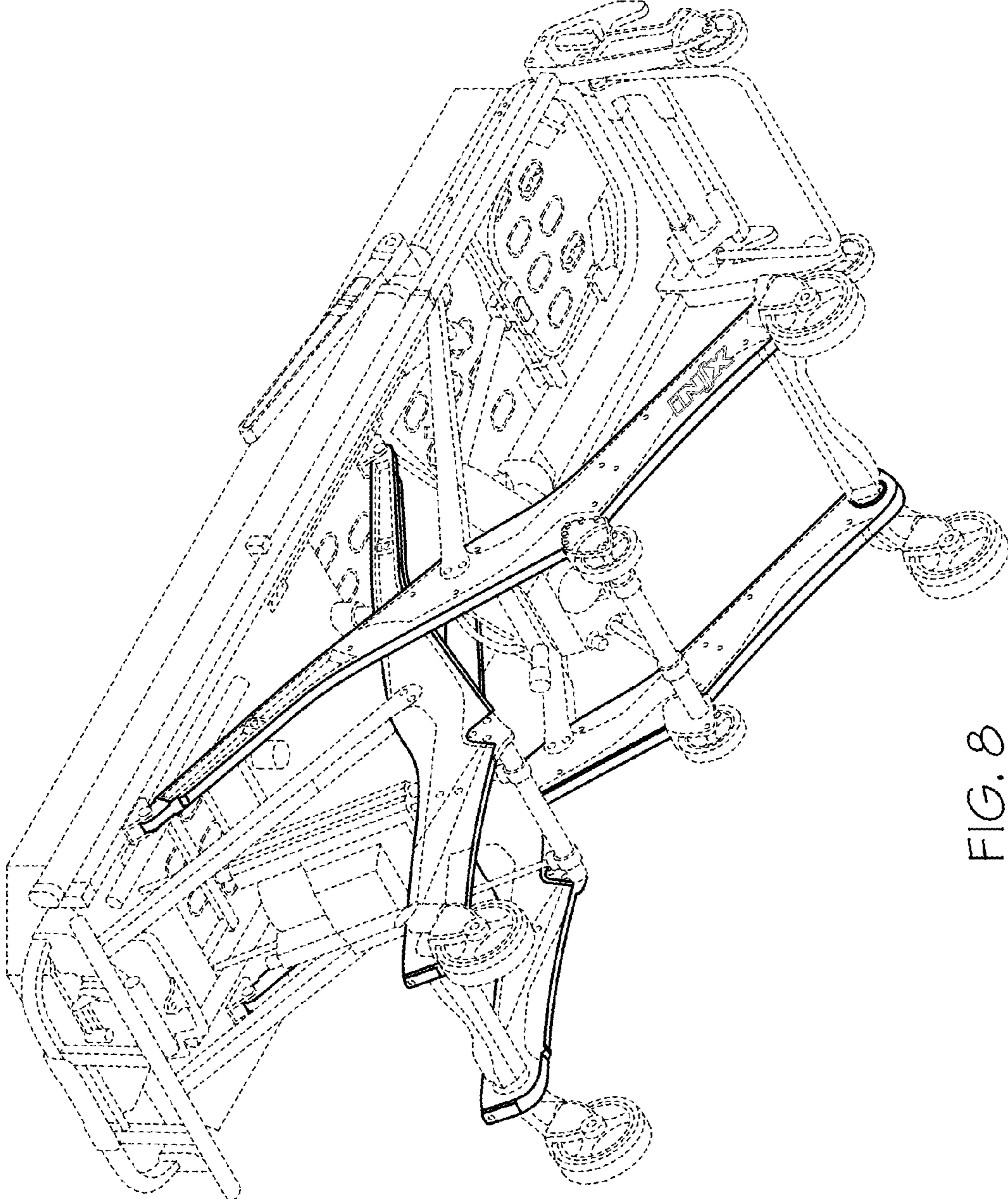


FIG. 8