

US00D749013S

(12) **United States Design Patent**  
**Bauer et al.**

(10) **Patent No.:** **US D749,013 S**

(45) **Date of Patent:** **\*\* Feb. 9, 2016**

- (54) **BICYCLE PARKING STAND**
- (71) Applicants: **Greg A. Bauer**, Sacramento, CA (US);  
**Donn Van Dusen**, Yuba City, CA (US)
- (72) Inventors: **Greg A. Bauer**, Sacramento, CA (US);  
**Donn Van Dusen**, Yuba City, CA (US)
- (73) Assignee: **Park-a-Bike, Inc.**, Sacramento, CA (US)
- (\*\*) Term: **14 Years**
- (21) Appl. No.: **29/490,794**
- (22) Filed: **May 13, 2014**
- (51) **LOC (10) Cl.** ..... **12-11**
- (52) **U.S. Cl.**  
USPC ..... **D12/115**
- (58) **Field of Classification Search**  
USPC ..... D12/115, 120; 211/5, 17-22; 280/293;  
224/42.11, 42.12, 42.13, 42.26, 309,  
224/324, 325, 533, 545, 924; 248/176.1,  
248/309.1  
CPC ..... B62H 3/00; B62H 3/10; B62D 43/02;  
B60R 9/06; F16M 13/00  
See application file for complete search history.

- D497,873 S \* 11/2004 Graber ..... D12/407
- D585,793 S \* 2/2009 Skalka ..... D12/115
- D678,131 S \* 3/2013 Hoadley et al. .... D12/115
- D715,698 S \* 10/2014 Weeks ..... D12/115
- D719,491 S \* 12/2014 Rayl et al. .... D12/115
- 2004/0251219 A1\* 12/2004 Zimmerman ..... 211/17
- 2006/0266717 A1\* 11/2006 Tsai ..... 211/17
- 2014/0083960 A1\* 3/2014 Weeks ..... 211/20

\* cited by examiner

*Primary Examiner* — Philip S Hyder

*Assistant Examiner* — Darlington Ly

(74) *Attorney, Agent, or Firm* — Heisler & Associates

(57) **CLAIM**

The ornamental design for a bicycle parking stand, as shown and described.

**DESCRIPTION**

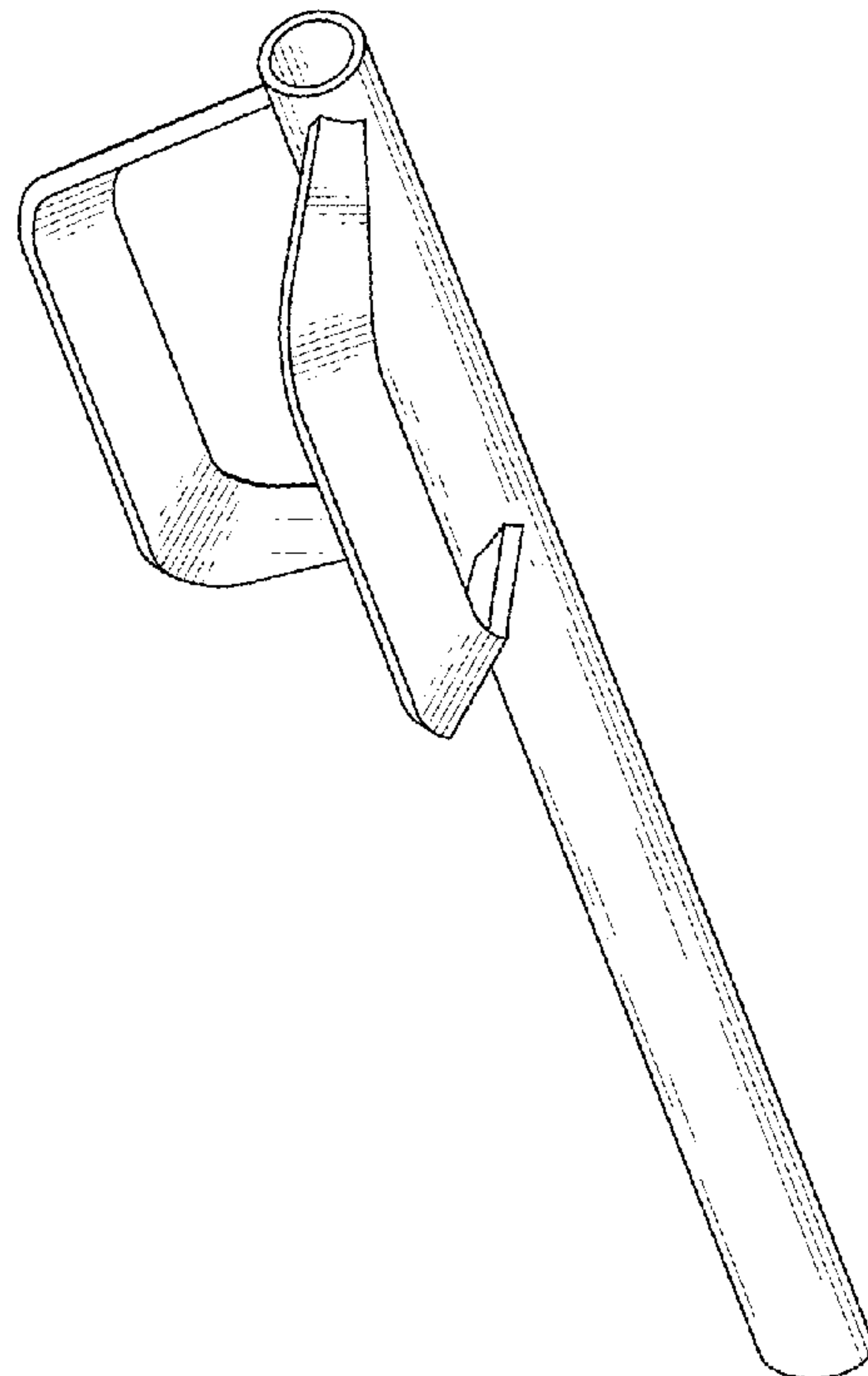
FIG. 1 is a top, front and right side perspective view of a bicycle parking stand according to our new design;  
 FIG. 2 is a front elevation view thereof;  
 FIG. 3 is a right side elevation view thereof; the left side elevation view being a mirror image;  
 FIG. 4 is a top plan view thereof;  
 FIG. 5 is a rear elevation view thereof;  
 FIG. 6 is a bottom plan view thereof; and,  
 FIG. 7 is a top, front and left side perspective view thereof.  
 The broken lines showing a wheel cradle base and covers for locking loops at an upper end of the invention in FIG. 7 are for the purpose of illustrating environmental structure and form no part of the claimed design.

**1 Claim, 2 Drawing Sheets**

(56) **References Cited**

U.S. PATENT DOCUMENTS

- D263,945 S \* 4/1982 Voegeli ..... D12/115
- D327,666 S \* 7/1992 Carlson ..... D12/115
- D391,902 S \* 3/1998 Pappas ..... D12/115
- D409,134 S \* 5/1999 Will ..... D12/407



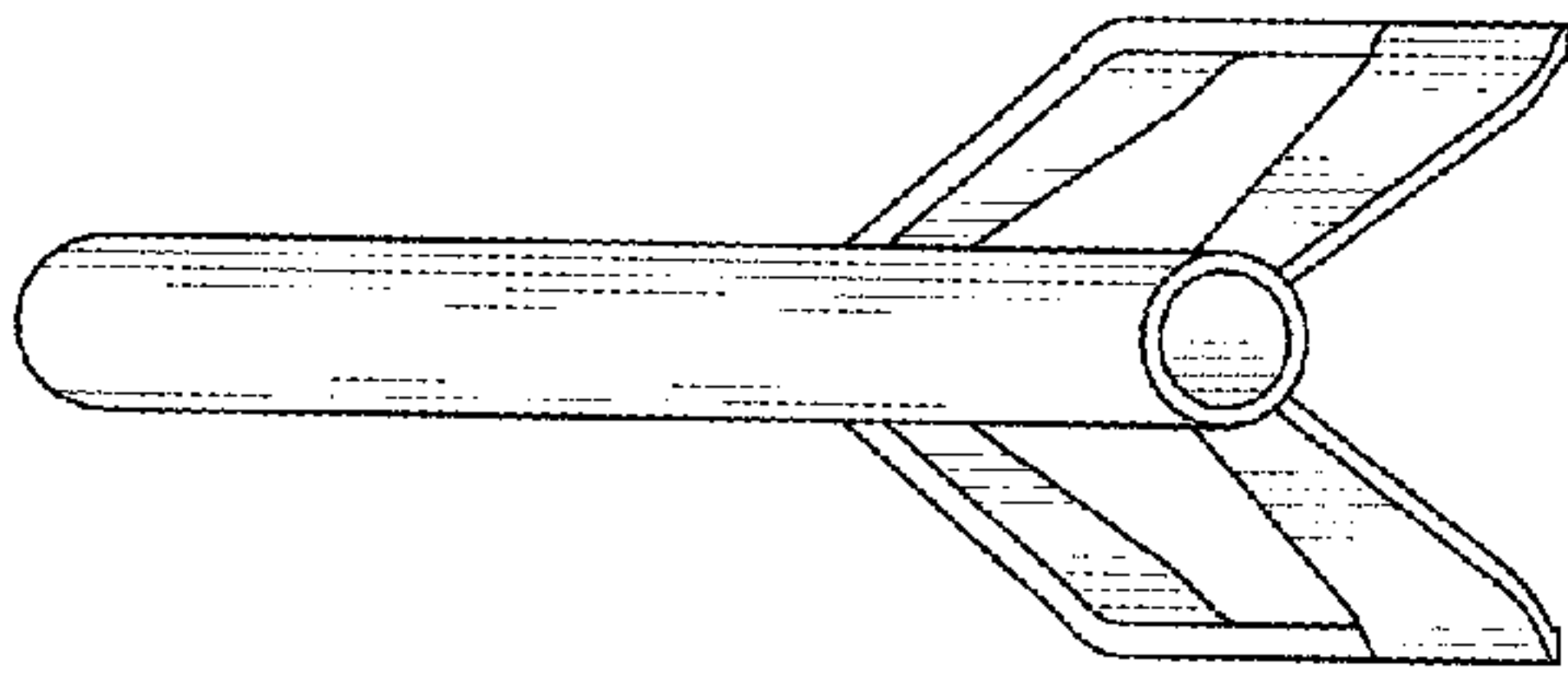


Fig. 4

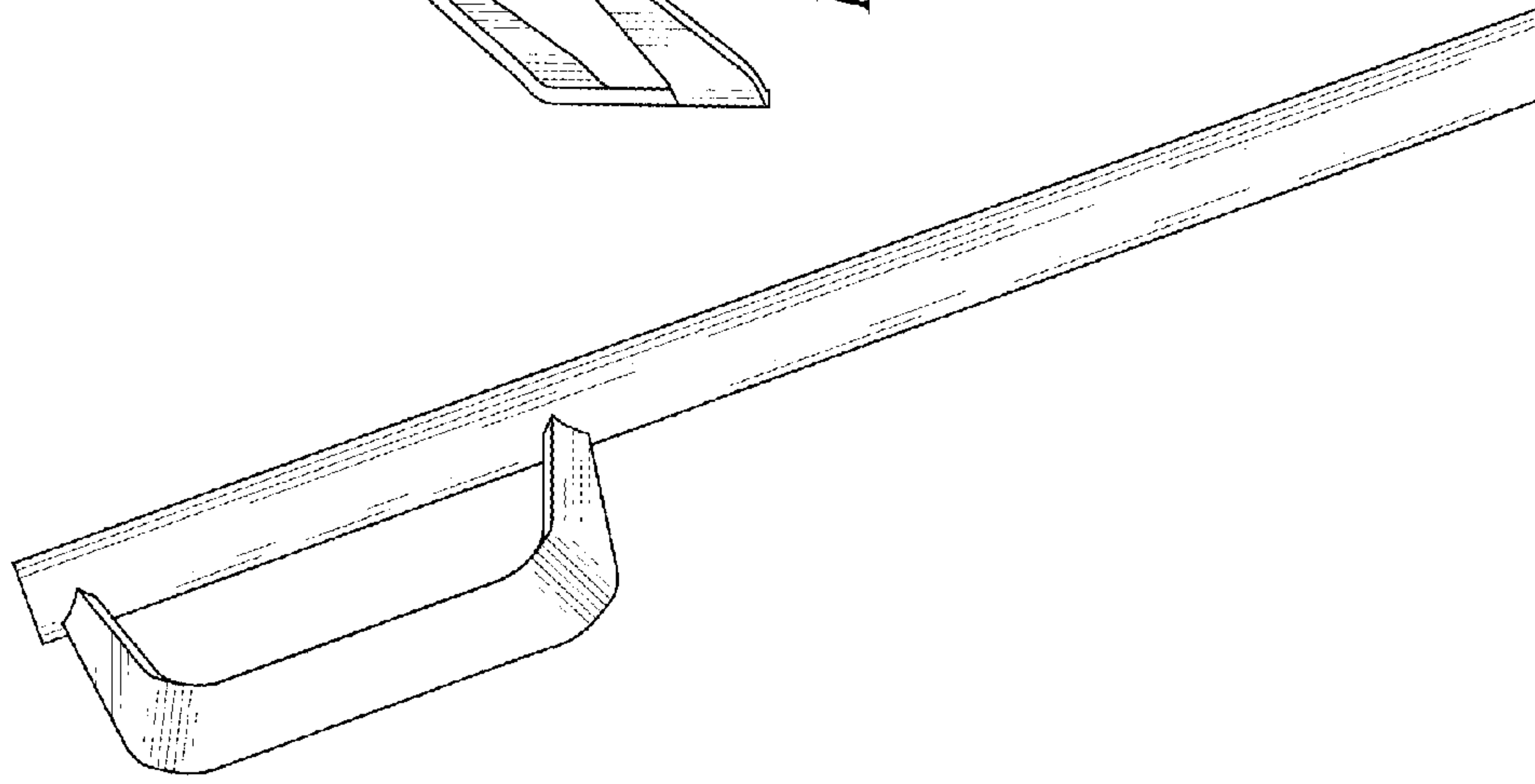


Fig. 3

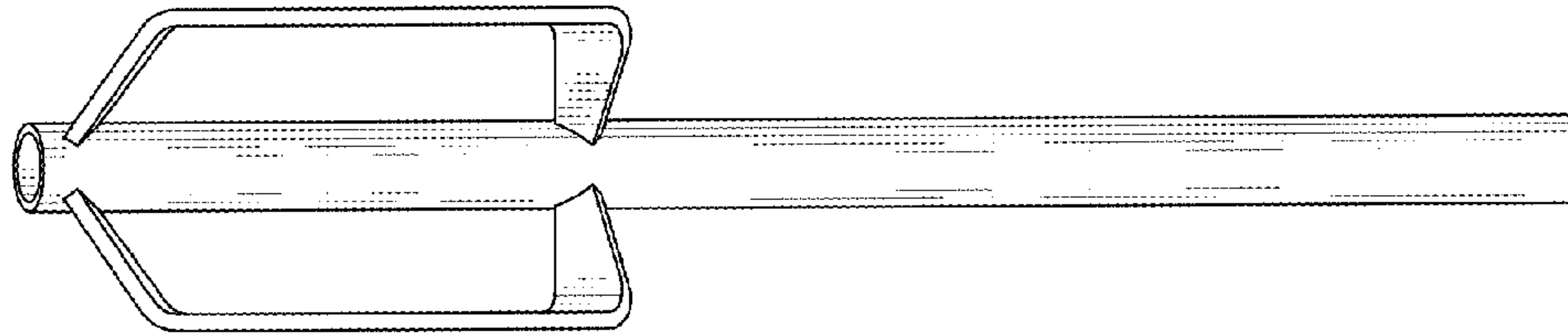


Fig. 2

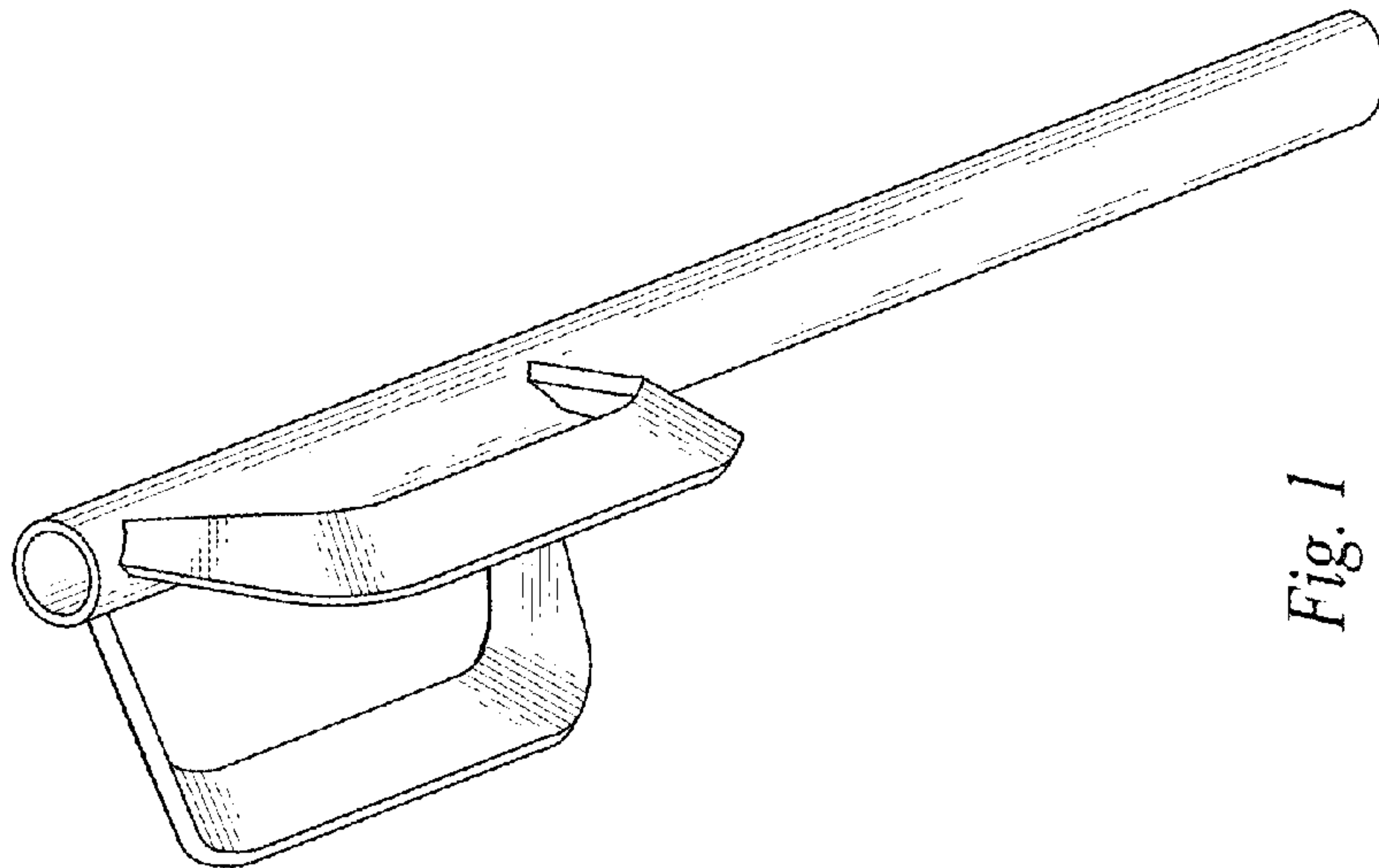


Fig. 1

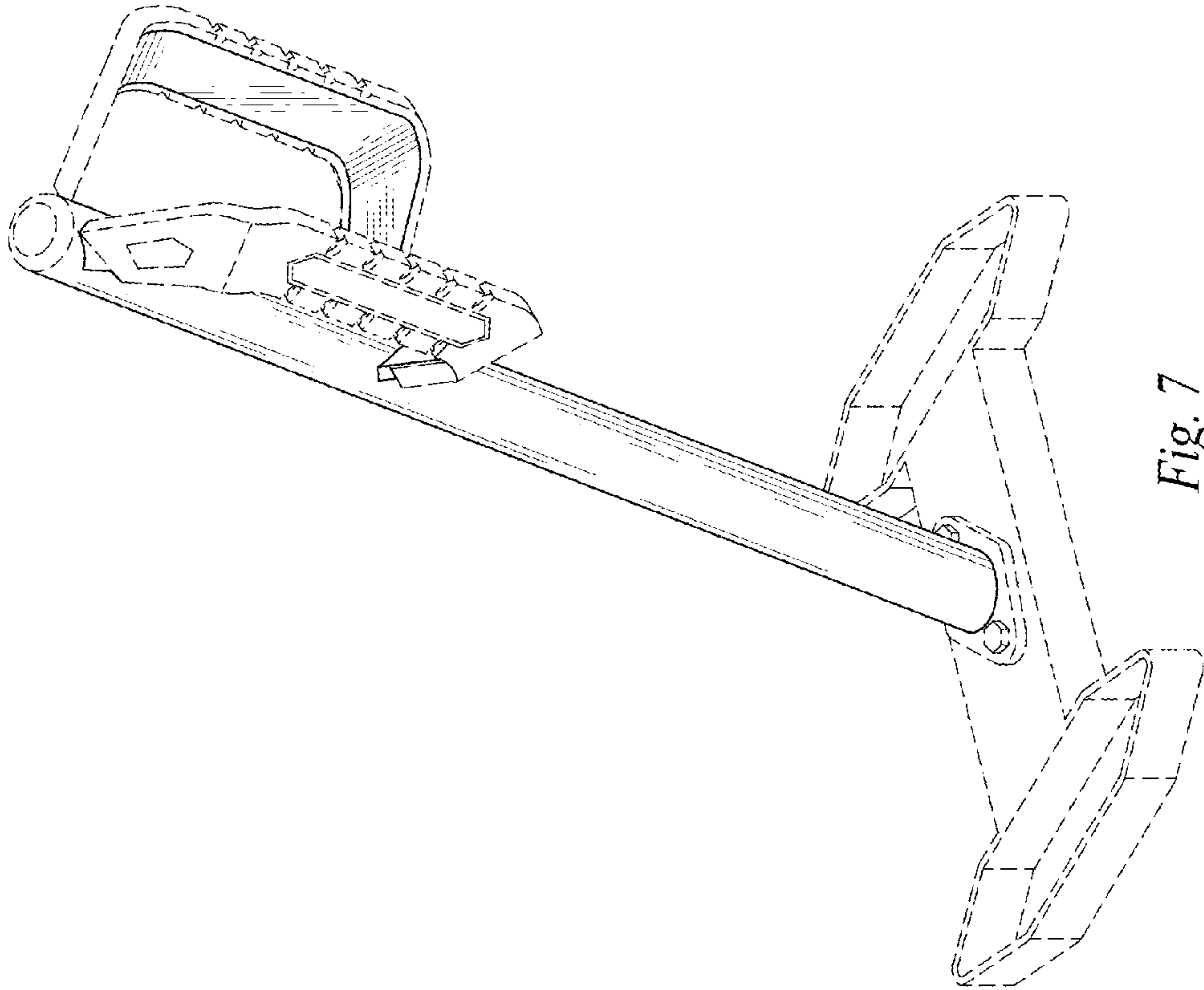


Fig. 7

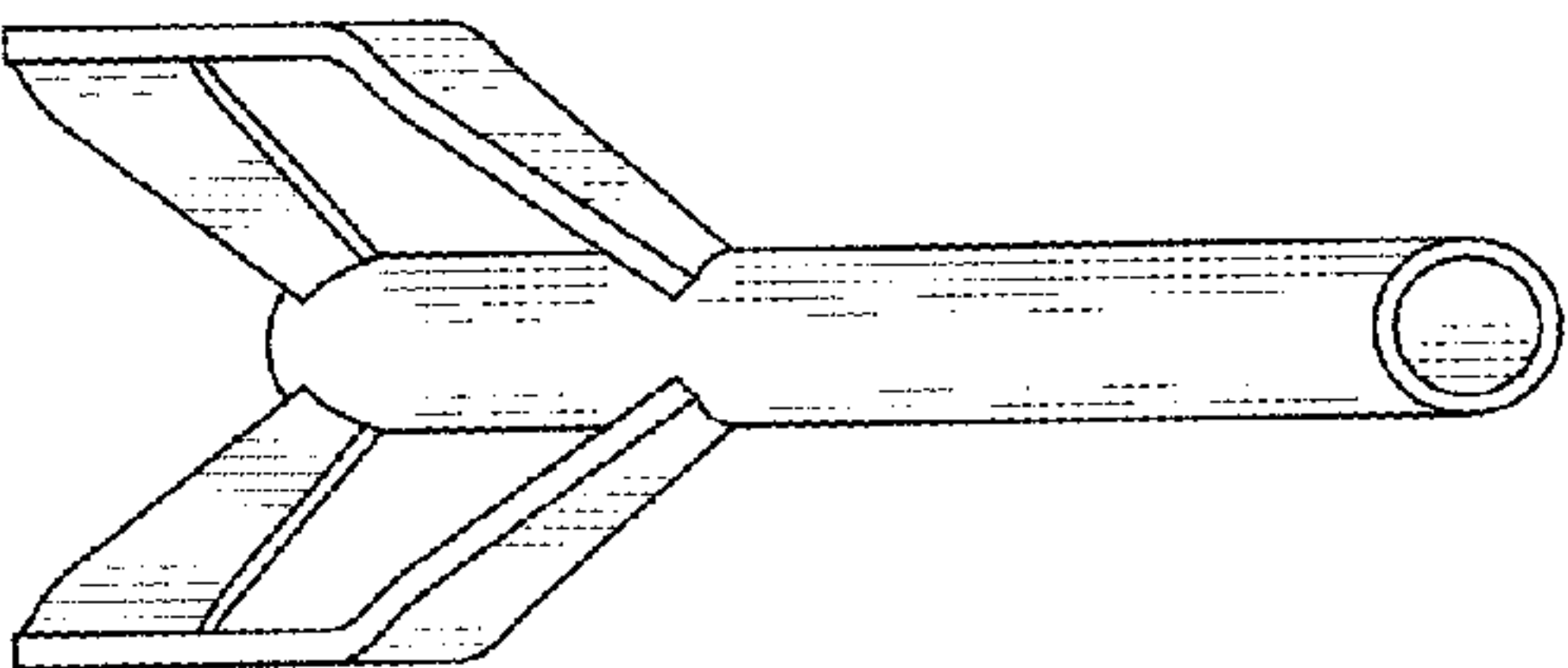


Fig. 6

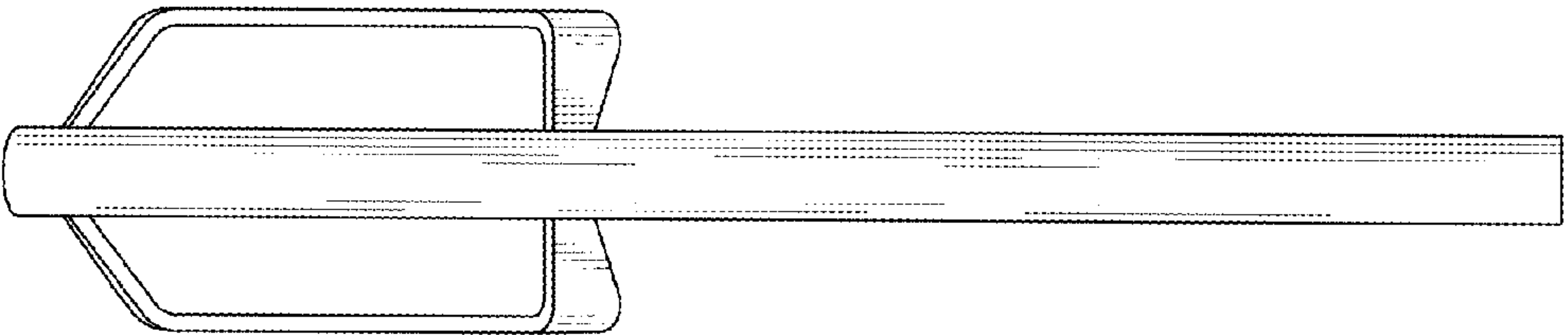


Fig. 5