



US00D749009S

(12) **United States Design Patent**
Akana et al.

(10) **Patent No.:** **US D749,009 S**

(45) **Date of Patent:** **** Feb. 9, 2016**

(54) **LINK FOR BAND**

CPC A44C 5/02-5/246
See application file for complete search history.

(71) Applicant: **Apple Inc.**, Cupertino, CA (US)

(56) **References Cited**

(72) Inventors: **Jody Akana**, San Francisco, CA (US);
Bartley K. Andre, Palo Alto, CA (US);
Shota Aoyagi, San Francisco, CA (US);
Anthony Michael Ashcroft, San Francisco, CA (US); **Jeremy Bataillou**, San Francisco, CA (US); **Daniel J. Coster**, San Francisco, CA (US); **Daniele De Iuliis**, San Francisco, CA (US); **M. Evans Hankey**, San Francisco, CA (US); **Julian Hoenig**, San Francisco, CA (US); **Richard P. Howarth**, San Francisco, CA (US); **Jonathan P. Ive**, San Francisco, CA (US); **Duncan Robert Kerr**, San Francisco, CA (US); **Marc A. Newson**, London (GB); **Matthew Dean Rohrbach**, San Francisco, CA (US); **Peter Russell-Clarke**, San Francisco, CA (US); **Benjamin Andrew Shaffer**, San Jose, CA (US); **Mikael Silvanto**, San Francisco, CA (US); **Christopher J. Stringer**, Woodside, CA (US); **Eugene Antony Whang**, San Francisco, CA (US); **Rico Zörkendörfer**, San Francisco, CA (US)

U.S. PATENT DOCUMENTS

1,712,564 A 5/1929 Jones
1,712,582 A 5/1929 Renz

(Continued)

FOREIGN PATENT DOCUMENTS

CN 2613171 Y 4/2004
EP 1136010 B1 11/2003

(Continued)

OTHER PUBLICATIONS

etsy.com, "1 Set Silver End Cap Clasp—Findings Large Toggle Clasp End Caps Buckle Connector with Five Inside Loops for Jewelry Making 26mm," <<http://www.etsy.com/listing/101269004/1-set-silver-end-cap-clasp-findings?ref=market>>, Listed on Aug. 29, 2014, accessed Oct. 9, 2014.

(Continued)

Primary Examiner — Zenia Bennett

(74) *Attorney, Agent, or Firm* — Sterne, Kessler, Goldstein & Fox P.L.L.C.

(57) **CLAIM**

The ornamental design for a link for band, as shown and described.

DESCRIPTION

FIG. 1 is a front perspective view of a link for band showing our new design;
FIG. 2 is a rear perspective view thereof;
FIG. 3 is a front view thereof;
FIG. 4 is a rear view thereof;
FIG. 5 is a right side view thereof;
FIG. 6 is a left side view thereof;
FIG. 7 is a top view thereof; and,
FIG. 8 is a bottom view thereof.

1 Claim, 3 Drawing Sheets

(73) Assignee: **Apple Inc.**, Cupertino, CA (US)

(**) Term: **14 Years**

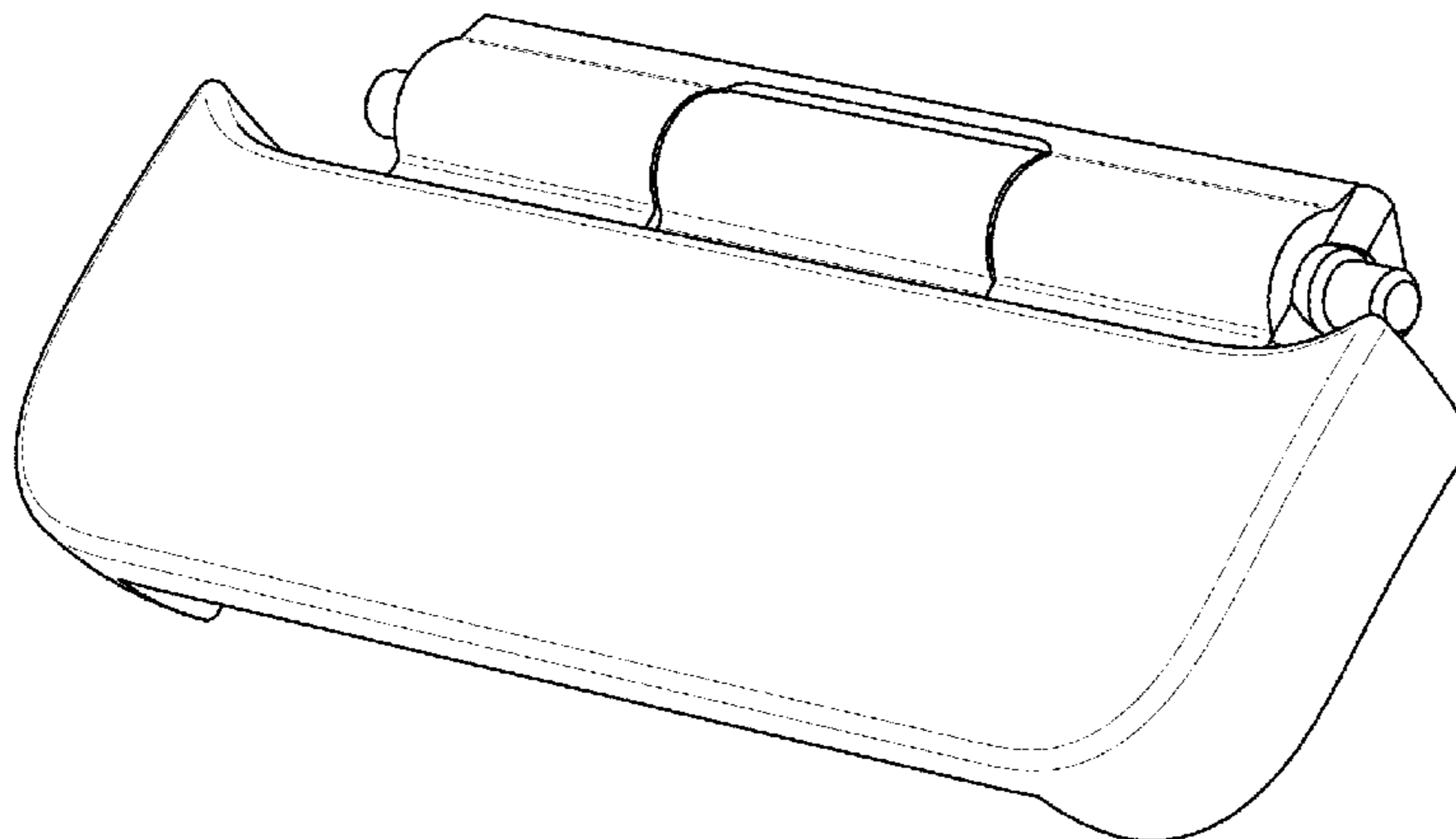
(21) Appl. No.: **29/501,760**

(22) Filed: **Sep. 8, 2014**

(51) **LOC (10) Cl.** **11-01**

(52) **U.S. Cl.**
USPC **D11/94**

(58) **Field of Classification Search**
USPC D11/1-25, 32, 93, 94; 59/78, 79.2;
63/1.11, 3, 3.1, 3.2, 5.1, 5.2, 7-11;
224/175; D10/30-32



(56)

References Cited

U.S. PATENT DOCUMENTS

1,738,407 A 12/1929 Tost
 1,740,894 A 12/1929 Johnson
 1,760,662 A 5/1930 Prestinari
 1,764,440 A 6/1930 Gammell et al.
 1,784,582 A 12/1930 Doppenschmitt
 1,786,943 A 12/1930 Gammell
 3,030,686 A 4/1962 Burkhardt
 3,372,500 A 3/1968 Claude
 3,665,565 A * 5/1972 Kruger 24/265 WS
 3,675,284 A * 7/1972 Rieth 24/265 B
 3,914,933 A 10/1975 Carlone
 3,994,126 A 11/1976 Rieth
 D249,244 S 9/1978 Salter
 4,125,920 A 11/1978 Grimes
 D250,634 S 12/1978 Porsche
 D251,829 S 5/1979 Sulek
 D256,568 S 8/1980 Young
 4,266,400 A 5/1981 Tabata
 D287,705 S 1/1987 Malamoud
 4,681,461 A 7/1987 Gogniat
 D293,302 S * 12/1987 Schoepfer D11/3
 D308,852 S * 6/1990 Wakamatsu D11/5
 5,239,521 A 8/1993 Blonder
 D339,309 S 9/1993 Butler
 5,363,351 A 11/1994 Carney
 5,441,686 A 8/1995 Jackl et al.
 D408,301 S 4/1999 Porsche et al.
 D424,952 S 5/2000 Porsche et al.
 6,101,842 A 8/2000 Delacretaz
 6,198,698 B1 3/2001 Graves
 D473,818 S * 4/2003 Salvisberg D11/93
 D474,125 S * 5/2003 Haquet D11/12
 D488,392 S 4/2004 Tschumi
 D494,098 S 8/2004 Cohen
 6,782,690 B2 8/2004 Kwan
 D498,694 S * 11/2004 Calvani D11/16
 7,013,631 B2 3/2006 Carrola
 D562,723 S * 2/2008 Lalo D11/94
 D581,811 S 12/2008 Messmer et al.
 D583,270 S * 12/2008 Gueit D11/3
 D584,170 S 1/2009 Morrison
 D588,472 S 3/2009 Messmer et al.
 D631,761 S 2/2011 Barbier
 D642,074 S 7/2011 Chastaingt
 D671,015 S 11/2012 Monachon
 D674,710 S 1/2013 Monachon
 8,601,784 B2 * 12/2013 Kaltenrieder 59/78
 D704,077 S 5/2014 Monachon
 D720,630 S 1/2015 Nashimoto
 D721,986 S * 2/2015 Cerrato D11/94
 D724,469 S 3/2015 Akana et al.
 D727,197 S 4/2015 Akana et al.
 D727,198 S 4/2015 Akana et al.
 D727,199 S 4/2015 Akana et al.
 D727,787 S 4/2015 Akana et al.
 D731,346 S 6/2015 Akana et al.
 2005/0207284 A1 9/2005 Hiranuma et al.
 2005/0210857 A1 9/2005 Carrola
 2007/0125123 A1 * 6/2007 Sierro 63/3.2
 2012/0168471 A1 7/2012 Wilson
 2012/0312052 A1 * 12/2012 Yliluoma et al. 63/10
 2014/0096345 A1 4/2014 Tschumi
 2014/0098649 A1 4/2014 Tschumi

FOREIGN PATENT DOCUMENTS

EP 2636328 A1 9/2013
 GB 618917 A 3/1949
 GB 2047514 A 12/1980
 GB 2082277 5/1984
 GB 2033807 3/1994
 GB 2086601 11/1999

GB 2095450 12/2000
 JP D1088241 10/2000
 JP D1092722 12/2000
 JP D1095359 1/2001
 JP D1115866 7/2001
 JP D1130391 1/2002
 JP D1194393 1/2004
 JP D1231469 2/2005
 JP D1350052 2/2009
 JP D1350493 2/2009
 JP D1126997 11/2011
 JP 5479052 B2 4/2014
 WO WO-9117679 A1 11/1991
 WO WO-DM/033704-002 9/1995
 WO WO-DM/041969-001 1/1998
 WO WO-DM/047086-002 5/1999
 WO WO-DM/061681-002 10/2002
 WO WO-DM/063315-002 5/2003
 WO WO-DM/068937-006 6/2007
 WO WO-DM/070624-004 10/2008
 WO WO-DM/074430-001 1/2010
 WO WO-2013182397 A1 12/2013

OTHER PUBLICATIONS

haedges, "1 Set Silver End Cap Clasp-Findings Large Toggle Clasp End Caps Buckle Connector with Five Inside Loops for Jewelry Making 26mm," <<http://www.etsy.com/listing/101269004/1-set-silver-end-cap-clasp-findings?ref=market>>, Listed on Aug. 29, 2014, accessed Oct. 9, 2014.
 Ipod Nano Watch Band Metal, <<http://trend-kid.com/ipod-nano-watch-band-orange.htm>>, accessed Dec. 5, 2014.
 [online] <http://i1-news.softpedia-static.com/images/news2/The-Chips-for-Apple-s-Smartwatch-Are-Entering-Production-464937-2.jpg> Retrieved on Feb. 17, 2015.
 Suunto D6 Replacement Stainless Metal Watch Band Bracelet SS013525000 w/ Free Shipping and Handling, <<http://www.opticsplanet.com/suunto-d6-replacement-stainless-bracelet.html>>, accessed Dec. 5, 2014.
 Thomas Ricker, "Nike's Amp+watch: hearts your heart and iPod, too," Oct. 5, 2007, <<http://www.engadget.com/2007/10/05/nikes-amp-watch-hearts-your-heart-and-ipod-too/>>, accessed Dec. 17, 2014.
 Twist-O-Flex Radial (16-21mm, Stainless Steel), <<http://www.thewatchprince.com/Speidel-Twist-O-Flex-Expansion-Radial-Stainless>>, accessed Dec. 5, 2014.
 U.S. Appl. No. 29/498,987, filed Aug. 11, 2014.
 U.S. Appl. No. 29/499,052, filed Aug. 11, 2014.
 U.S. Appl. No. 29/499,061, filed Aug. 11, 2014.
 U.S. Appl. No. 29/499,067, filed Aug. 11, 2014.
 U.S. Appl. No. 29/499,068, filed Aug. 11, 2014.
 U.S. Appl. No. 29/499,069, filed Aug. 11, 2014.
 U.S. Appl. No. 29/499,080, filed Aug. 11, 2014.
 U.S. Appl. No. 29/499,081, filed Aug. 11, 2014.
 U.S. Appl. No. 29/499,082, filed Aug. 11, 2014.
 U.S. Appl. No. 29/499,088, filed Aug. 11, 2014.
 U.S. Appl. No. 29/499,090, filed Aug. 11, 2014.
 U.S. Appl. No. 29/499,091, filed Aug. 11, 2014.
 U.S. Appl. No. 29/501,059, filed Aug. 29, 2014.
 U.S. Appl. No. 29/501,152, filed Sep. 2, 2014.
 U.S. Appl. No. 29/501,624, filed Sep. 5, 2014.
 U.S. Appl. No. 29/501,720, filed Sep. 8, 2014.
 U.S. Appl. No. 29/501,722, filed Sep. 8, 2014.
 U.S. Appl. No. 29/501,723, filed Sep. 8, 2014.
 U.S. Appl. No. 29/501,733, filed Sep. 8, 2014.
 U.S. Appl. No. 29/501,737, filed Sep. 8, 2014.
 U.S. Appl. No. 29/501,746, filed Sep. 8, 2014.
 U.S. Appl. No. 29/501,759, filed Sep. 8, 2014.
 U.S. Appl. No. 29/501,766, filed Sep. 8, 2014.
 U.S. Appl. No. 29/501,772, filed Sep. 8, 2014.

* cited by examiner

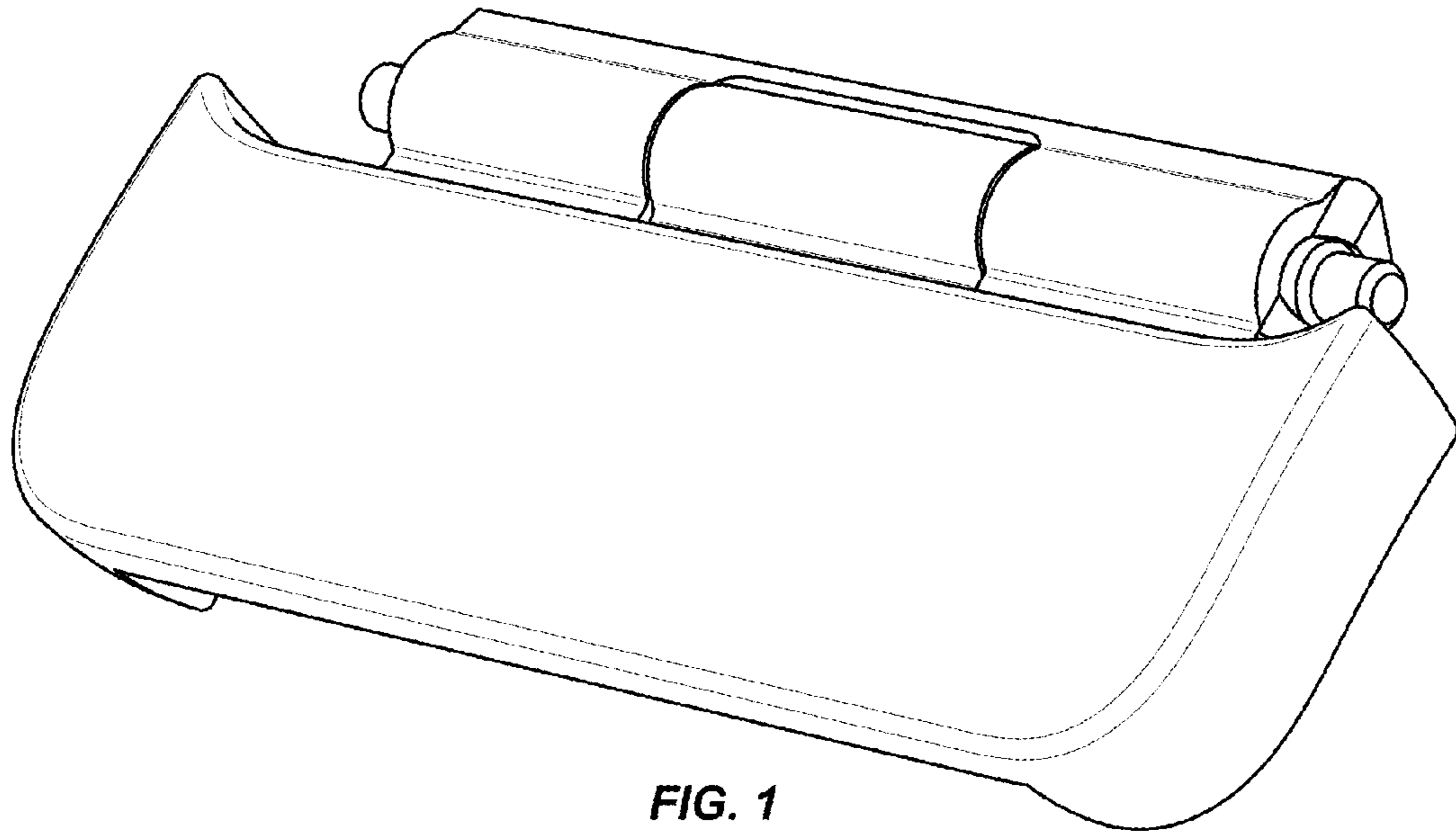


FIG. 1

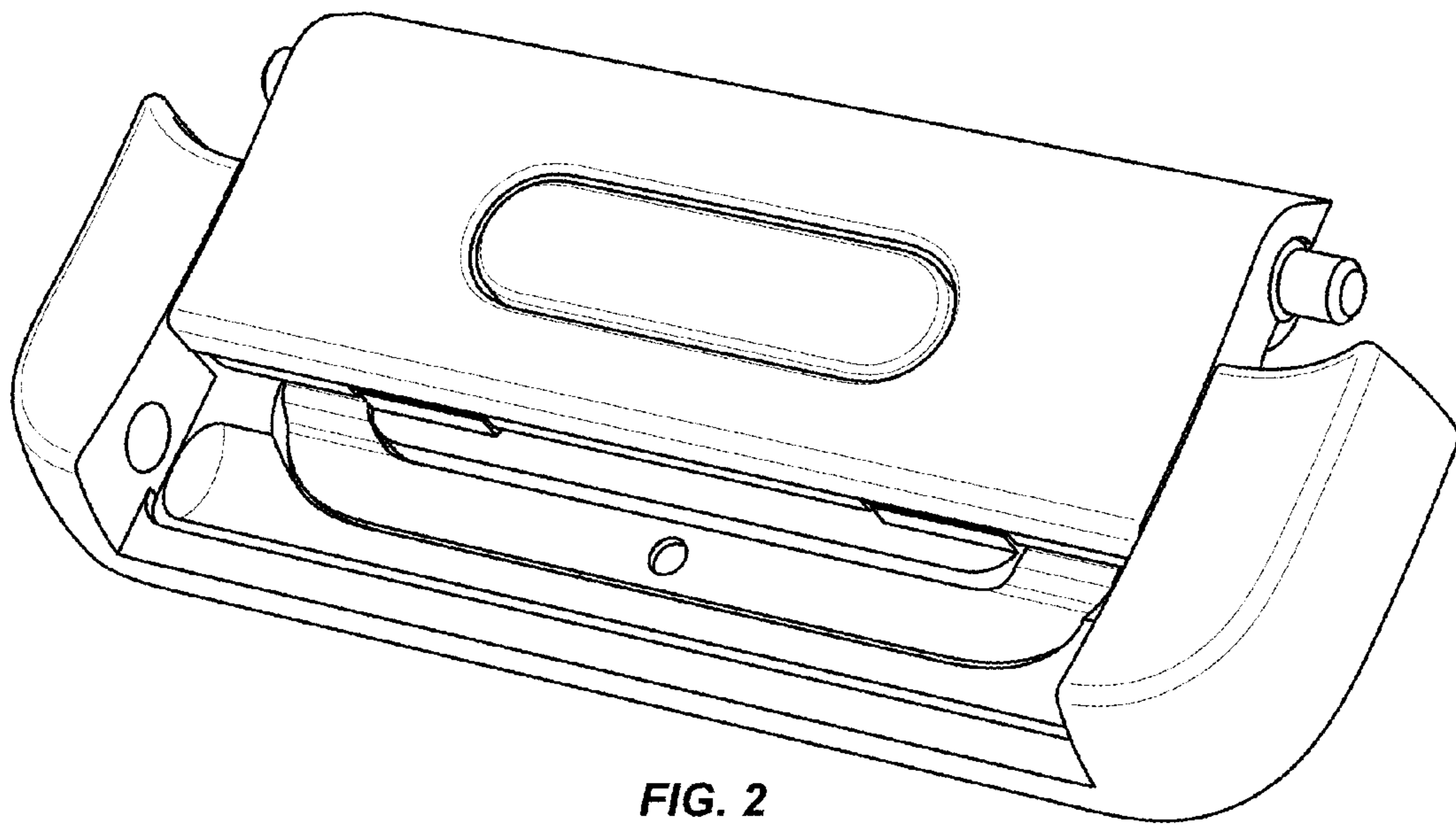


FIG. 2

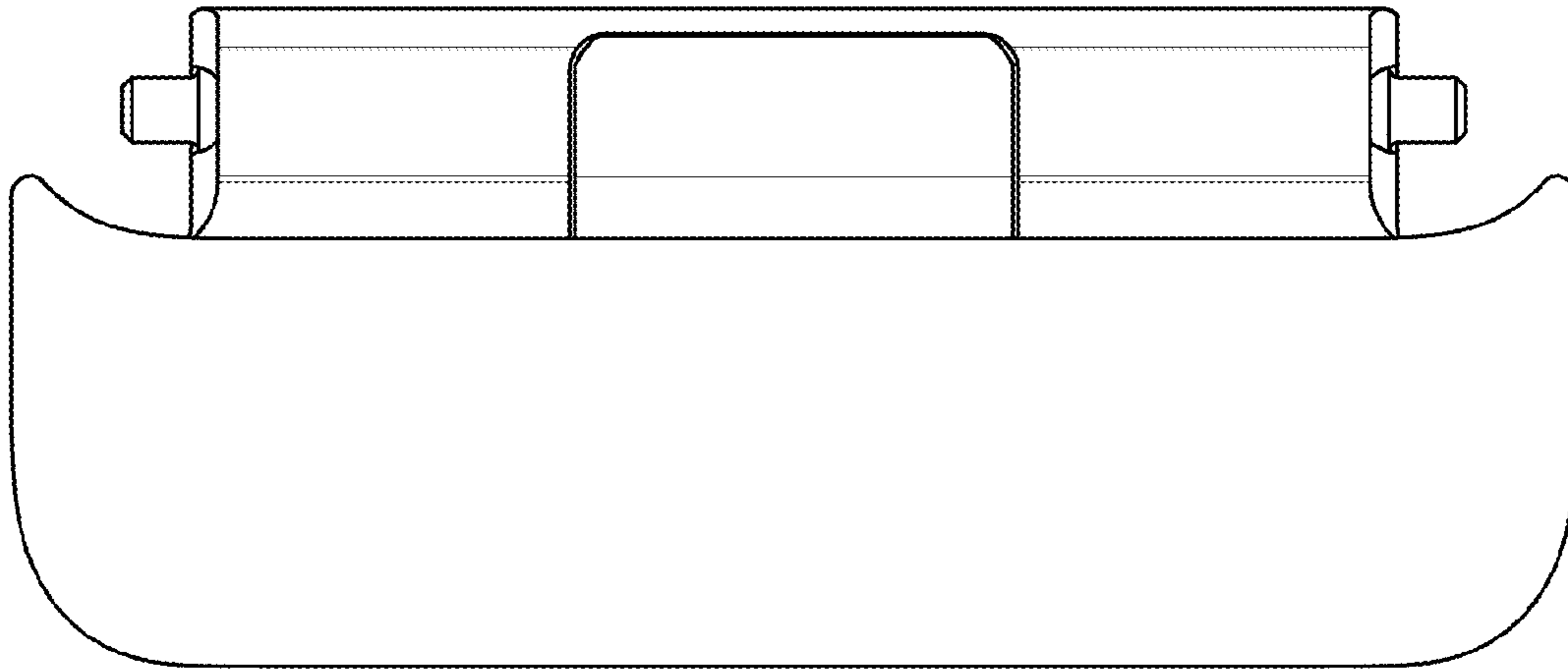


FIG. 3

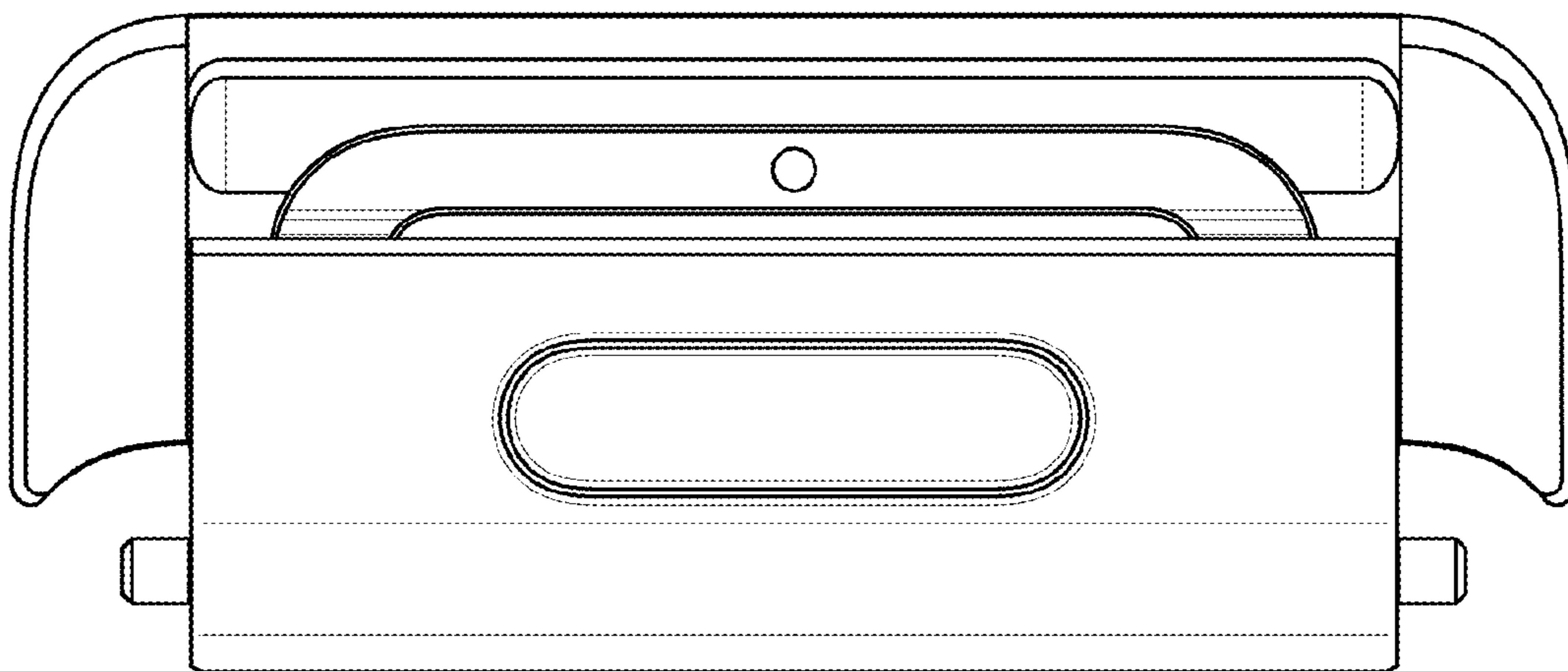


FIG. 4



FIG. 5

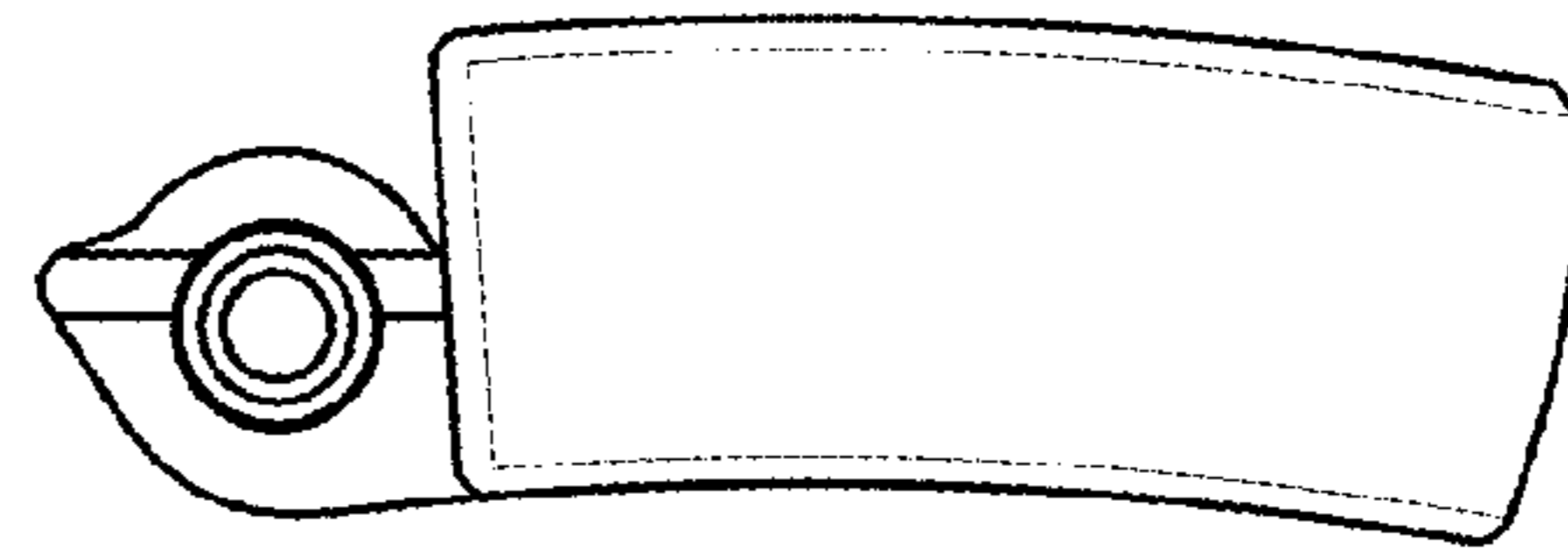


FIG. 6

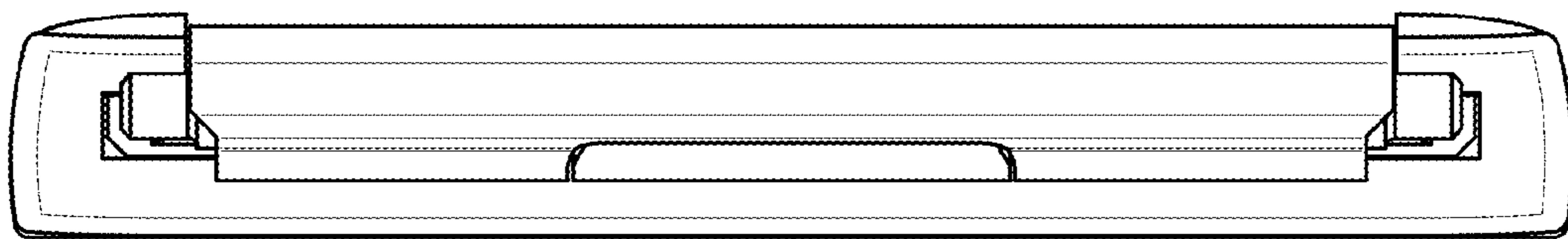


FIG. 7

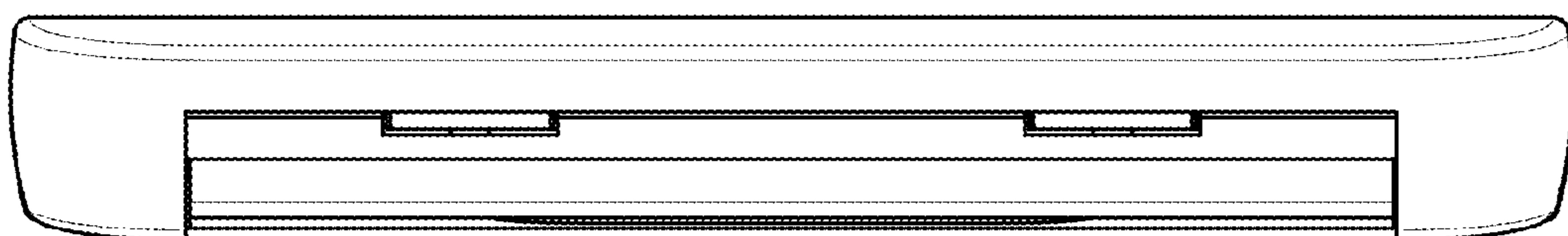


FIG. 8