

US00D749004S

(12) **United States Design Patent**  
**Sirius-El**

(10) **Patent No.:** **US D749,004 S**  
(45) **Date of Patent:** **\*\* Feb. 9, 2016**

(54) **ARTICLE FOR TRACKING LOCATION**

(71) Applicant: **Yusef Sirius-El**, Miramar, FL (US)

(72) Inventor: **Yusef Sirius-El**, Miramar, FL (US)

(73) Assignee: **ISAAC DANIEL GROUP, INC.**

(\*\*) Term: **14 Years**

(21) Appl. No.: **29/499,358**

(22) Filed: **Aug. 14, 2014**

**Related U.S. Application Data**

(63) Continuation-in-part of application No. 29/492,681, filed on Jun. 2, 2014.

(51) **LOC (10) Cl.** ..... **10-04**

(52) **U.S. Cl.**  
USPC ..... **D10/97**

(58) **Field of Classification Search**  
USPC ..... D10/104.1, 106.1, 97, 70, 106.6  
CPC ..... H04R 5/0335; H04R 1/1008; G09B 5/04;  
A61B 5/00  
See application file for complete search history.

(56) **References Cited**

**U.S. PATENT DOCUMENTS**

D438,132 S *	2/2001	Givings	.....	D10/104.1
D492,607 S *	7/2004	Curkovic	.....	D10/104.1
D712,768 S *	9/2014	Ueda	.....	D10/97
9,140,557 B2 *	9/2015	Taylor, Jr.	.....	G01C 21/16

\* cited by examiner

*Primary Examiner* — George D Kirschbaum

(74) *Attorney, Agent, or Firm* — Carol N. Green Kaul, Esq.

(57) **CLAIM**

The ornamental design for an article for tracking location, as shown and described.

**DESCRIPTION**

FIG. 1 is a front perspective view of the article for tracking location with the detachable communication module detached from the device.

FIG. 2 is a rear perspective view of the article for tracking location with the detachable communication module detached from the device.

FIG. 3 is a top view of the article for tracking location with the detachable communication module detached from the device.

FIG. 4 is a bottom view of the article for tracking location with the detachable communication module detached from the device.

FIG. 5 is a left side view of the article for tracking location with the detachable communication module detached from the device.

FIG. 6 is a right side view of the article for tracking location with the detachable communication module detached from the device.

FIG. 7 is a front view of the article for tracking location with the detachable communication module detached from the device.

FIG. 8 is a rear view of the article for tracking location with the detachable communication module detached from the device.

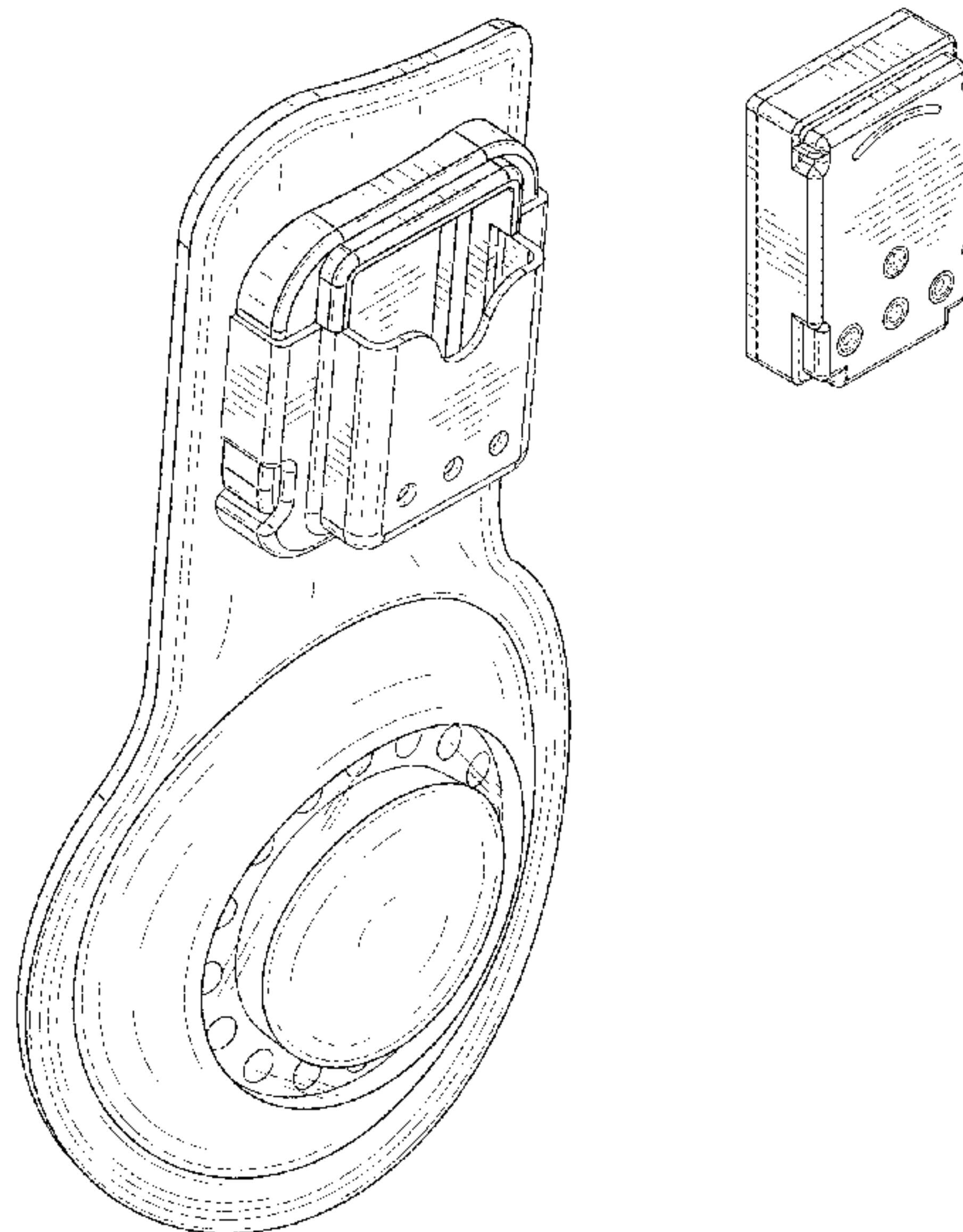
FIG. 9 is a front view of the article for tracking location shown in use in the open position.

FIG. 10 is a front side view of the article for tracking location shown in use in the open position; and,

FIG. 11 is a front side view of the article for tracking location shown in use in the closed position.

The broken lines in FIGS. 9, 10 & 11 showing the shoe are included for purposes of illustrating the environment only, forming no part of the claimed design.

**1 Claim, 9 Drawing Sheets**



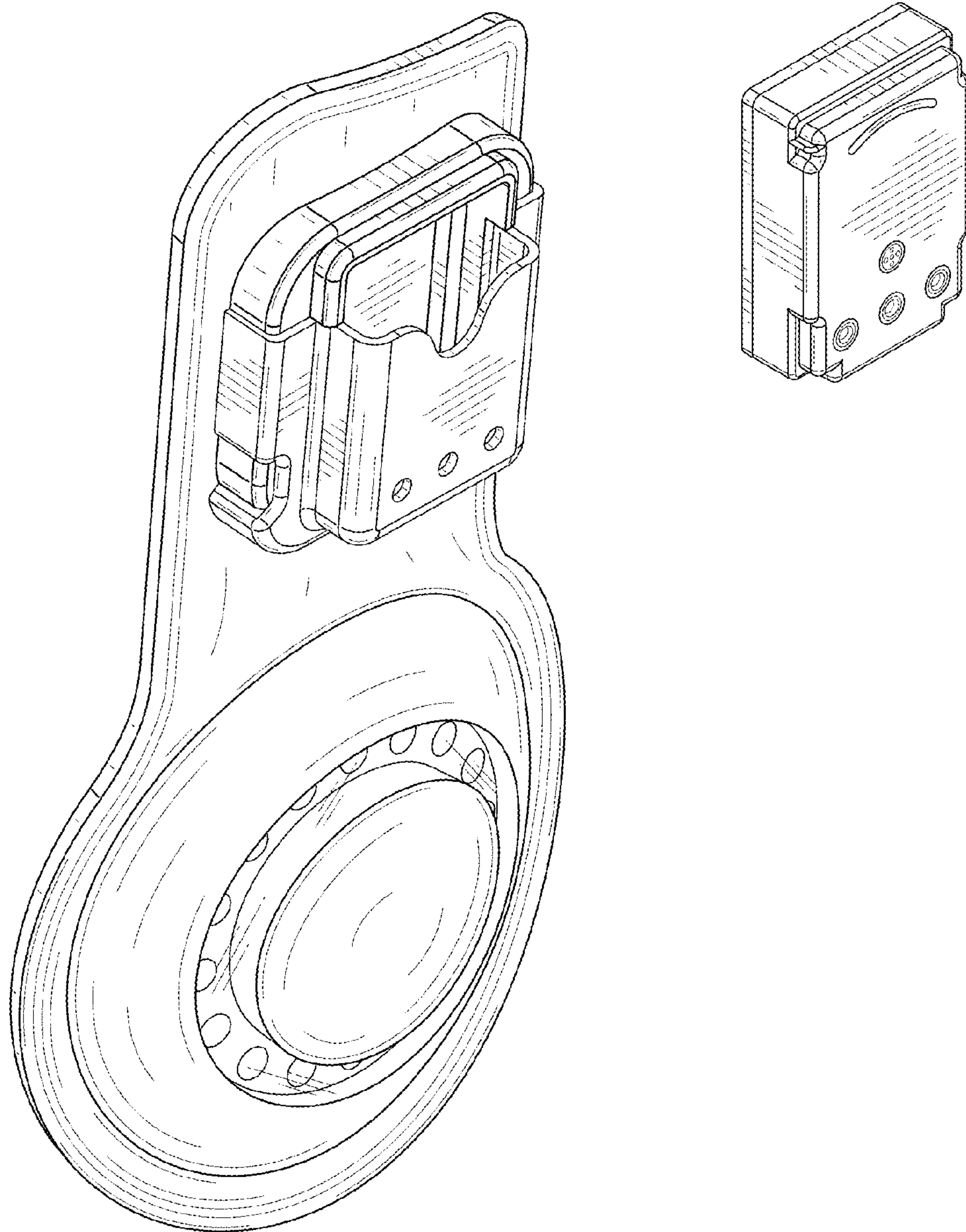


FIG. 1

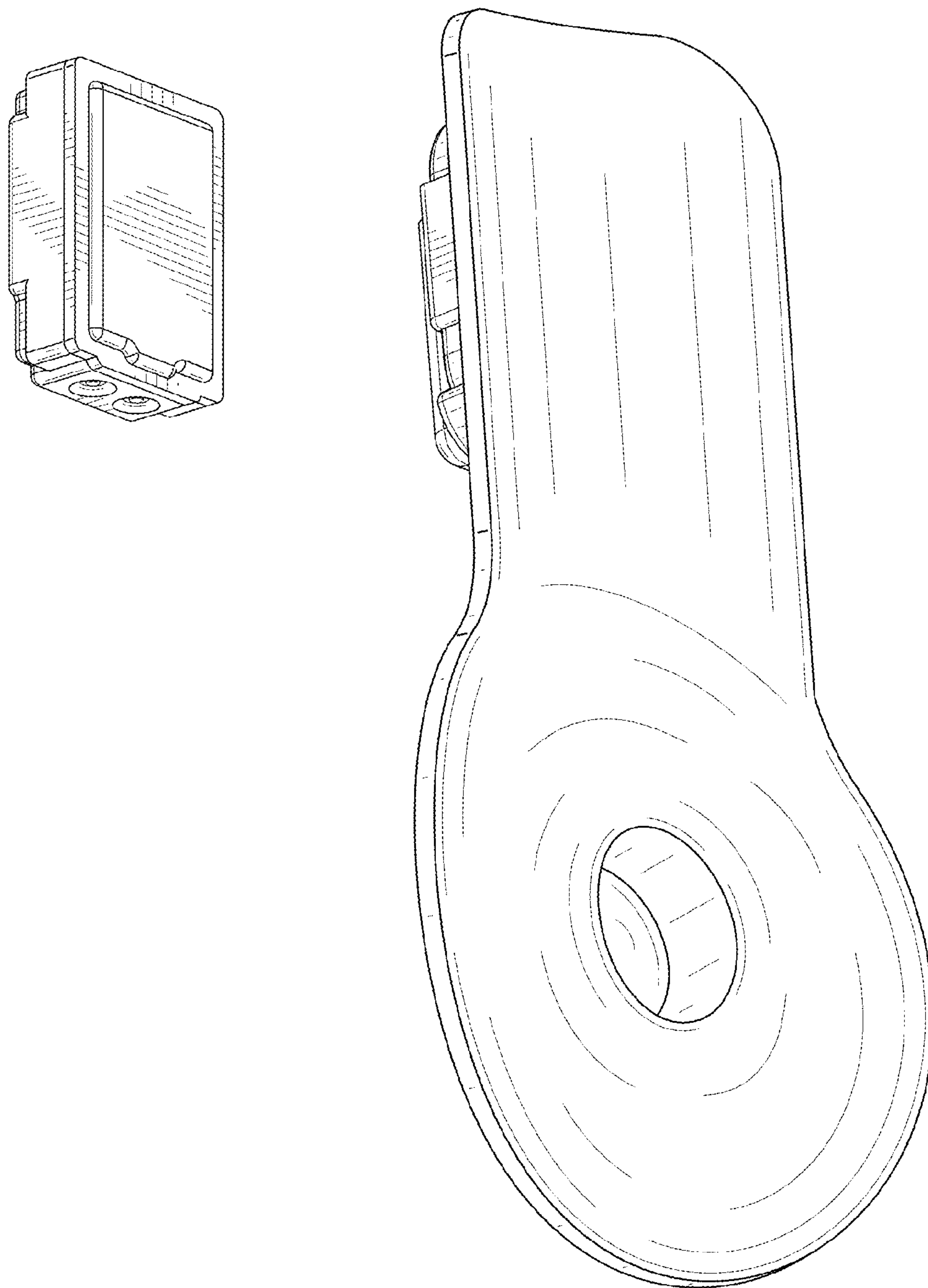


FIG. 2

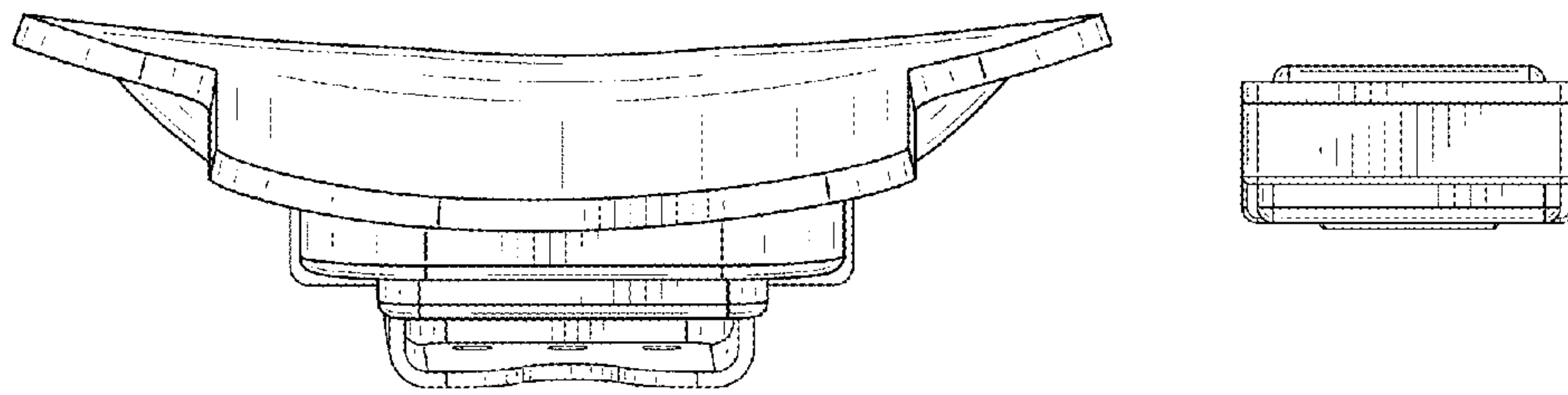


FIG. 3

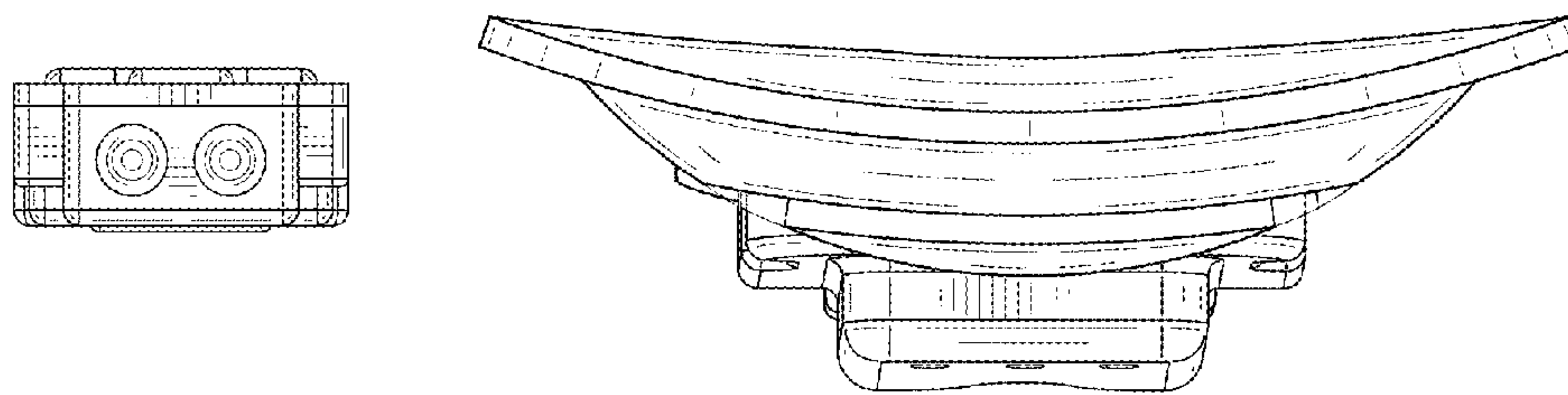


FIG. 4



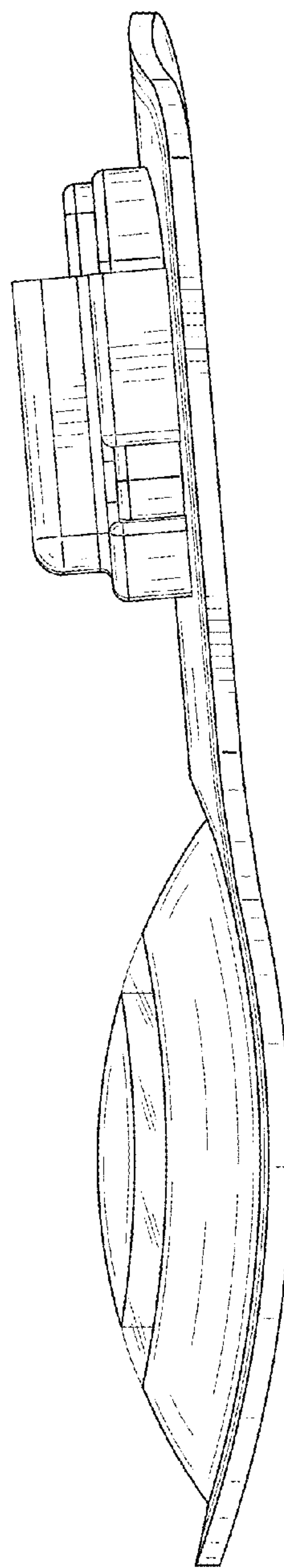
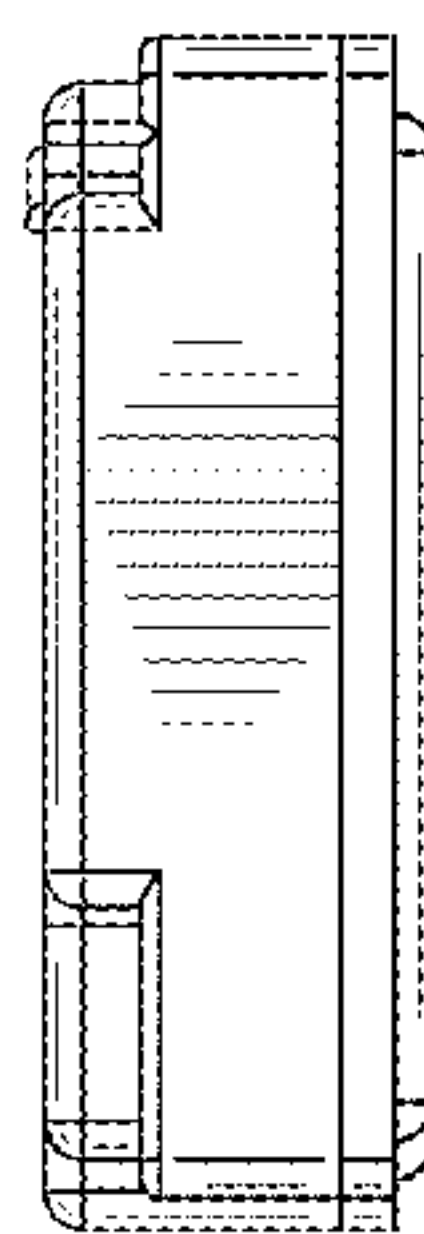
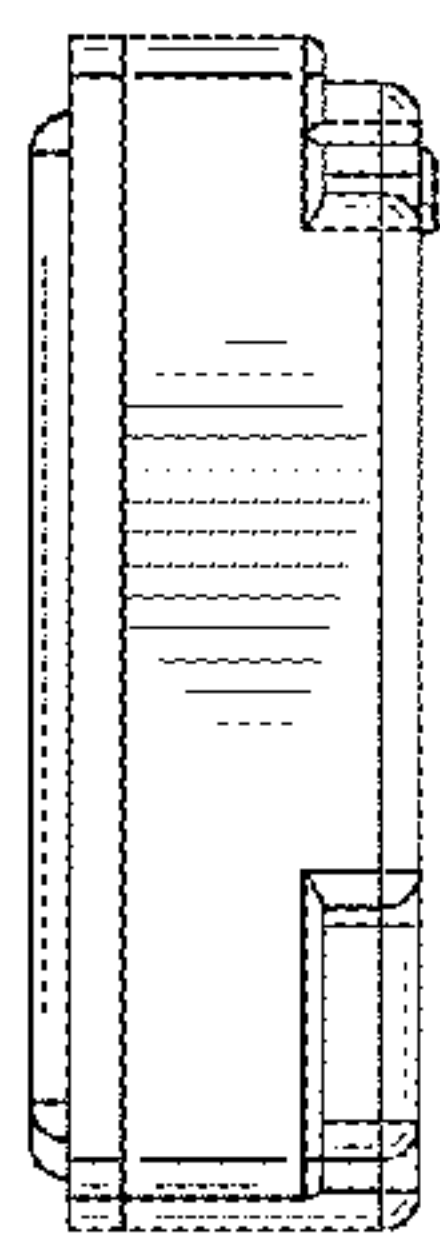
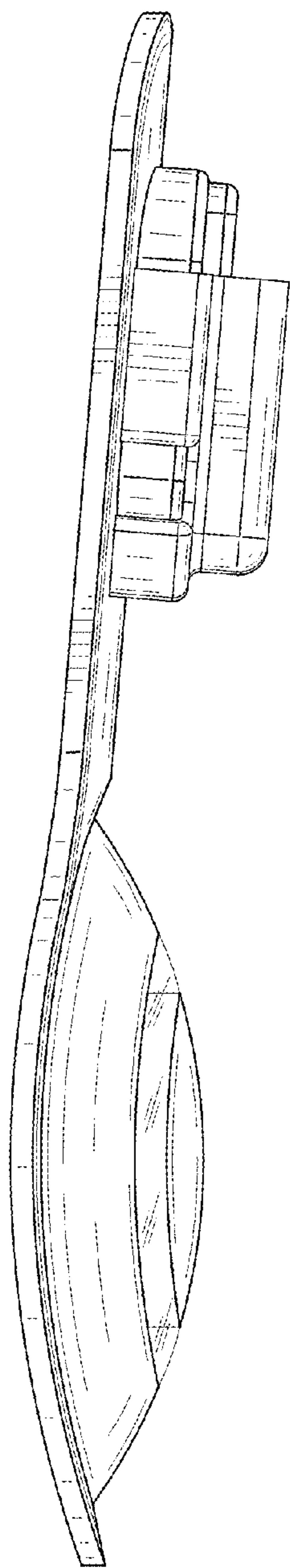


FIG. 5

FIG. 6

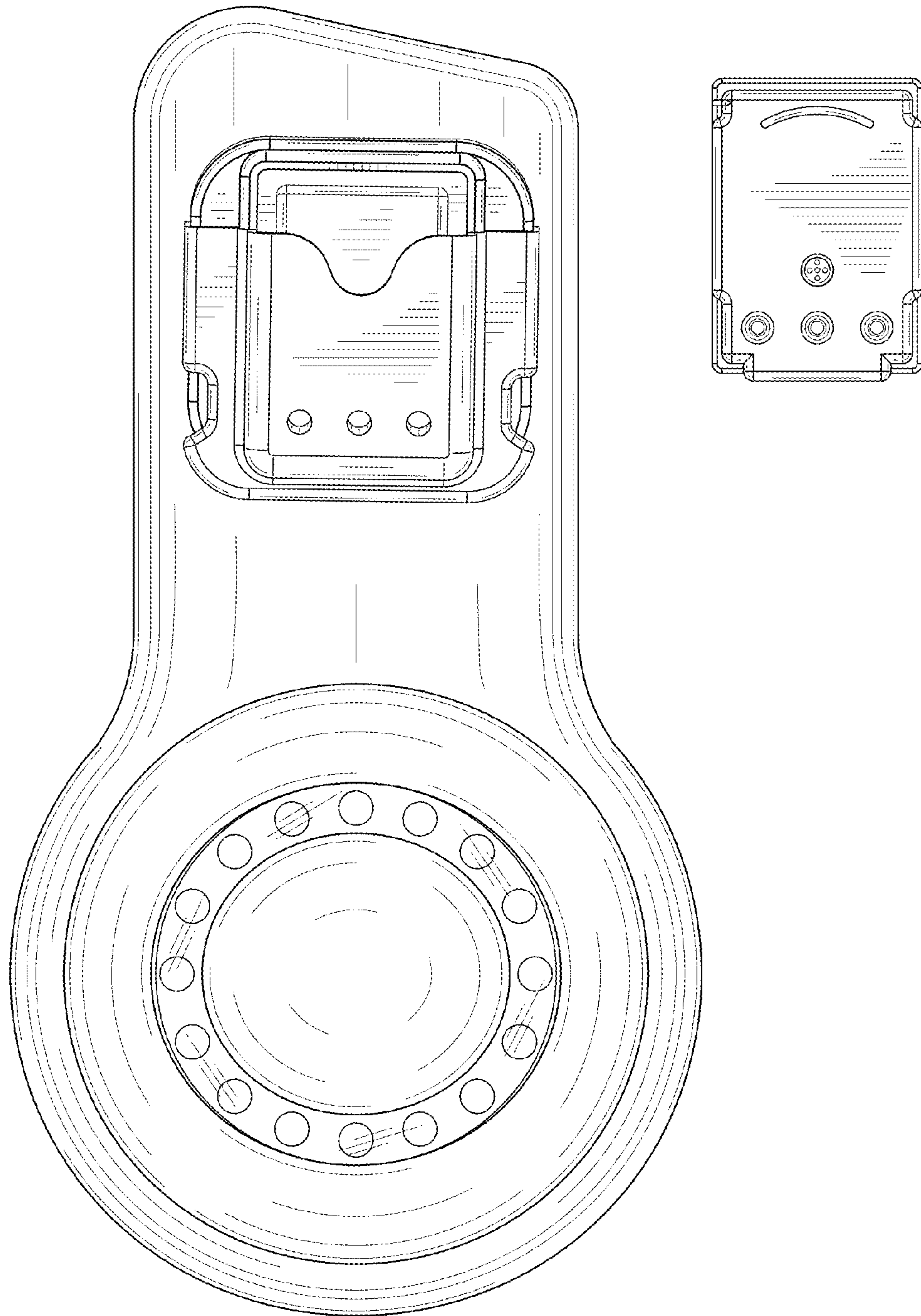


FIG. 7

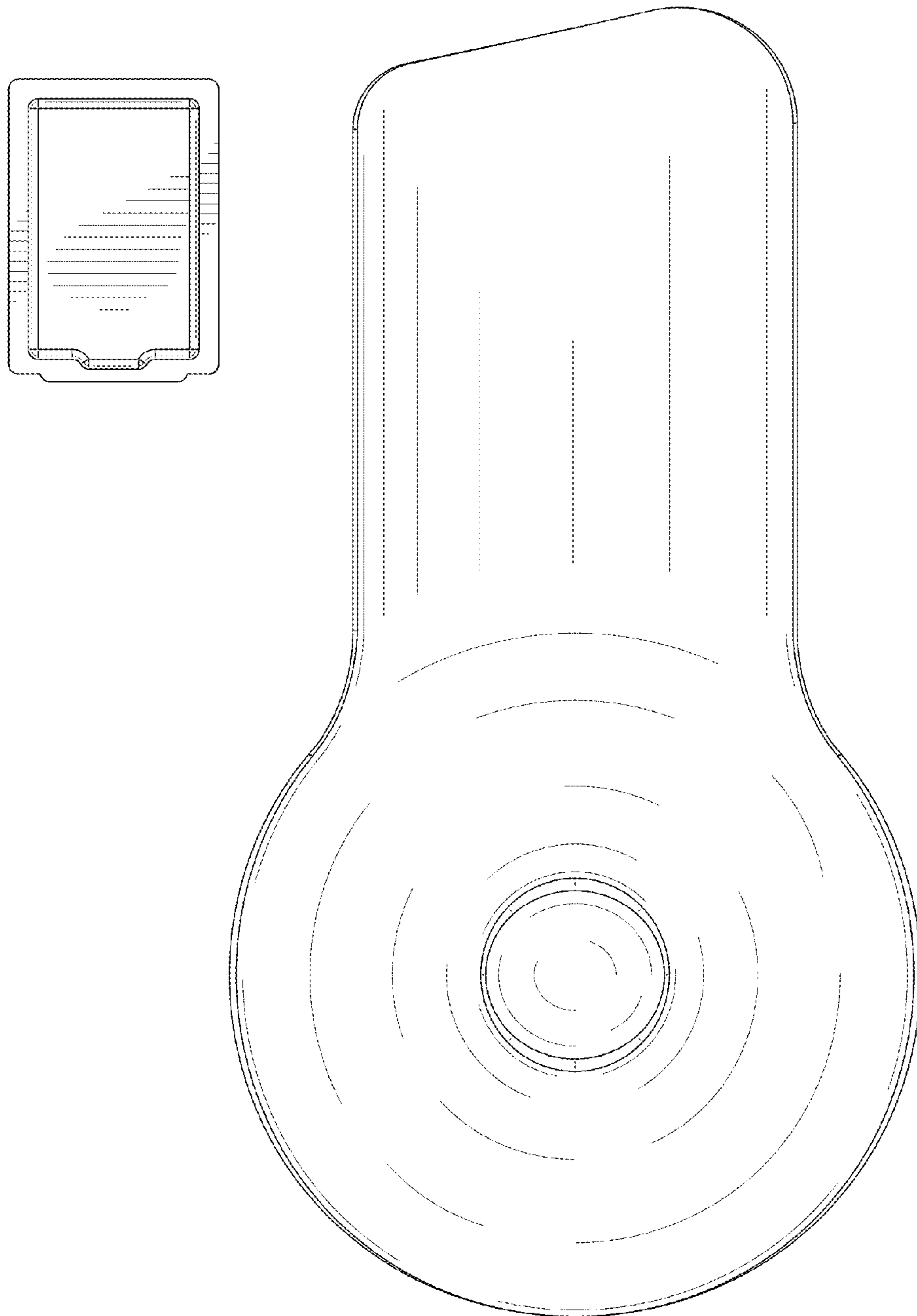


FIG. 8

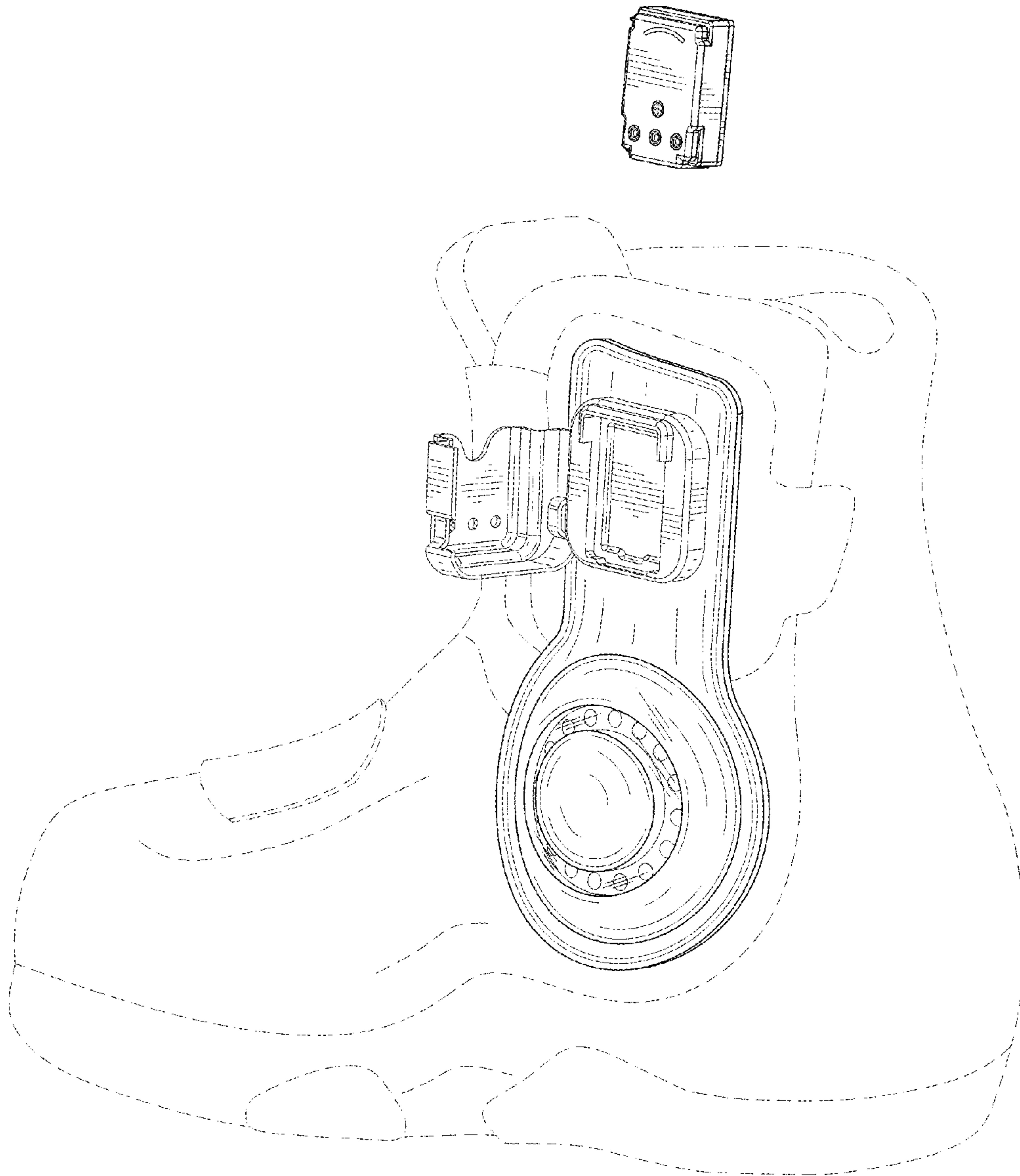


FIG. 9



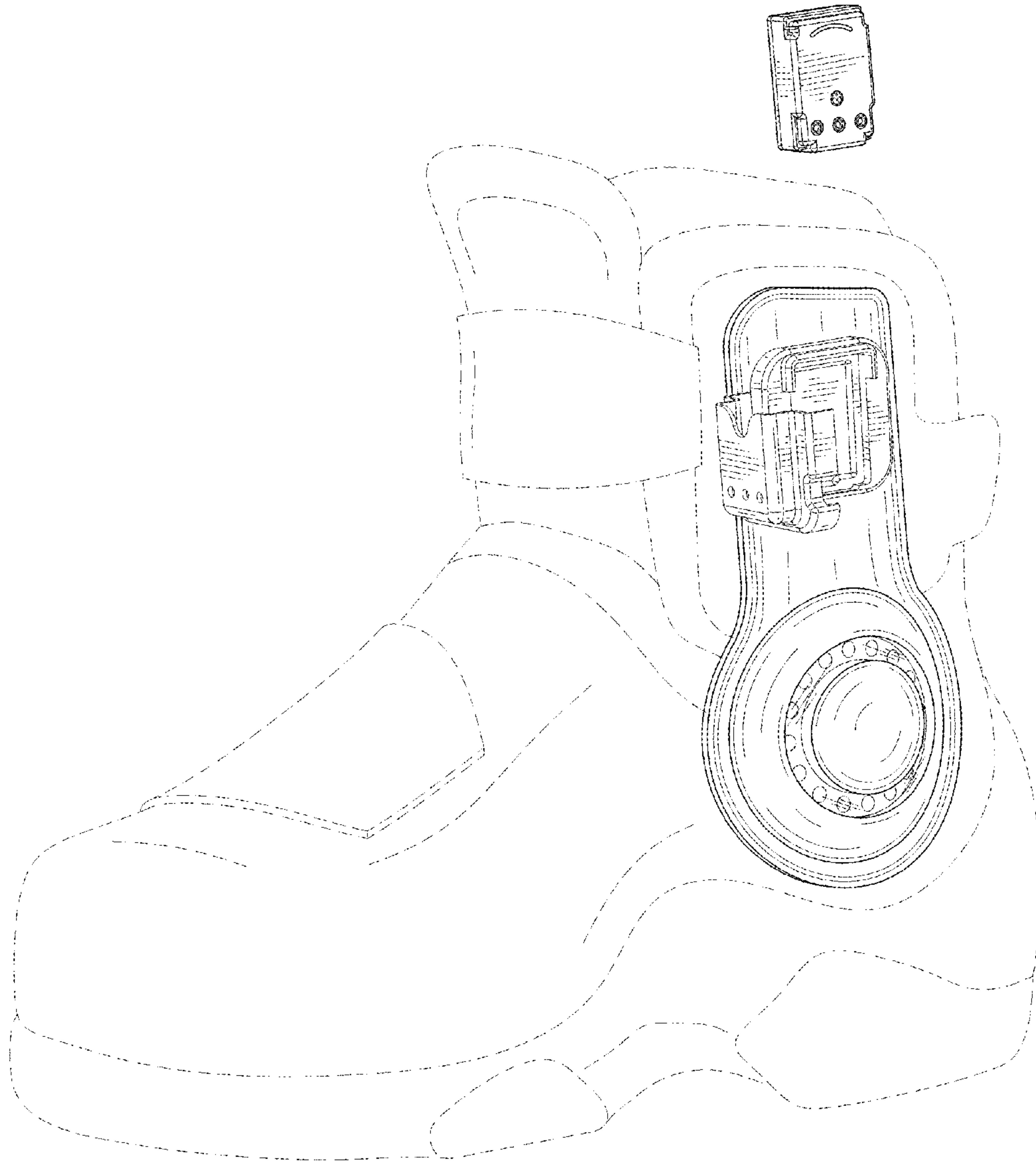


FIG. 10



FIG. 11