



US00D749003S

(12) **United States Design Patent**
Pollitt

(10) **Patent No.:** **US D749,003 S**
(45) **Date of Patent:** **** Feb. 9, 2016**

- (54) **PROXIMITY MARKER**
- (71) Applicant: **Matthew Pollitt**, Orlando, FL (US)
- (72) Inventor: **Matthew Pollitt**, Orlando, FL (US)
- (**) Term: **14 Years**
- (21) Appl. No.: **29/515,077**
- (22) Filed: **Jan. 20, 2015**
- (51) **LOC (10) Cl.** **10-04**
- (52) **U.S. Cl.**
USPC **D10/72**
- (58) **Field of Classification Search**
USPC D10/72
CPC G01B 3/10; G01B 3/1002; G01B 3/1041;
G01B 2003/1043; G01B 2003/1046; G01B
2003/1048; G01B 2003/1051; G01B
2003/1053; G01B 2003/1097; G01B 3/1082;
G01B 3/1056; G01B 3/563; G01B 3/566;
G01B 3/1071; G07B 3/10
See application file for complete search history.

(56) **References Cited**

U.S. PATENT DOCUMENTS

3,834,030 A	9/1974	Hanson	
4,273,329 A	6/1981	Trigg et al.	
4,353,167 A *	10/1982	Martin G01B 3/02 33/27.03
4,532,712 A	8/1985	Vistain	
4,665,620 A	5/1987	Osteen	
4,880,232 A	11/1989	Lang	

D307,726 S *	5/1990	Amico D10/72
5,052,687 A	10/1991	Katerba	
5,442,866 A	8/1995	Woods	
D569,746 S	5/2008	Scott	
7,815,530 B2	10/2010	Cannata	
8,801,546 B2	8/2014	Roark et al.	
2011/0136591 A1	6/2011	Podlager	

OTHER PUBLICATIONS

<http://www.accumarkgolf.com/home>, Accu-Mark Golf, LLC, 2 pages, Apr. 23, 2015.

* cited by examiner

Primary Examiner — Antoine D Davis

(74) *Attorney, Agent, or Firm* — Wegman, Hessler & Vanderburg

(57) **CLAIM**

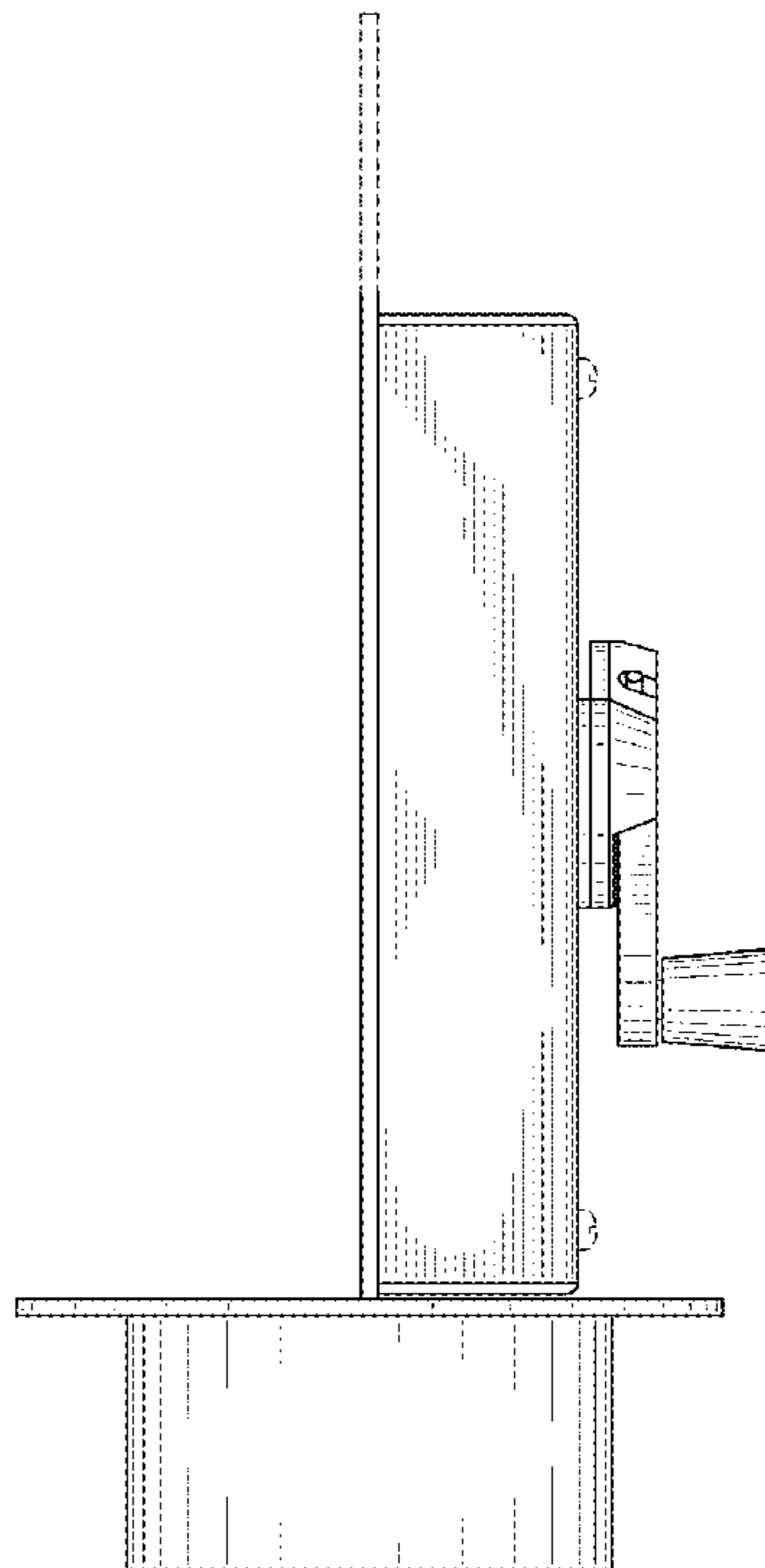
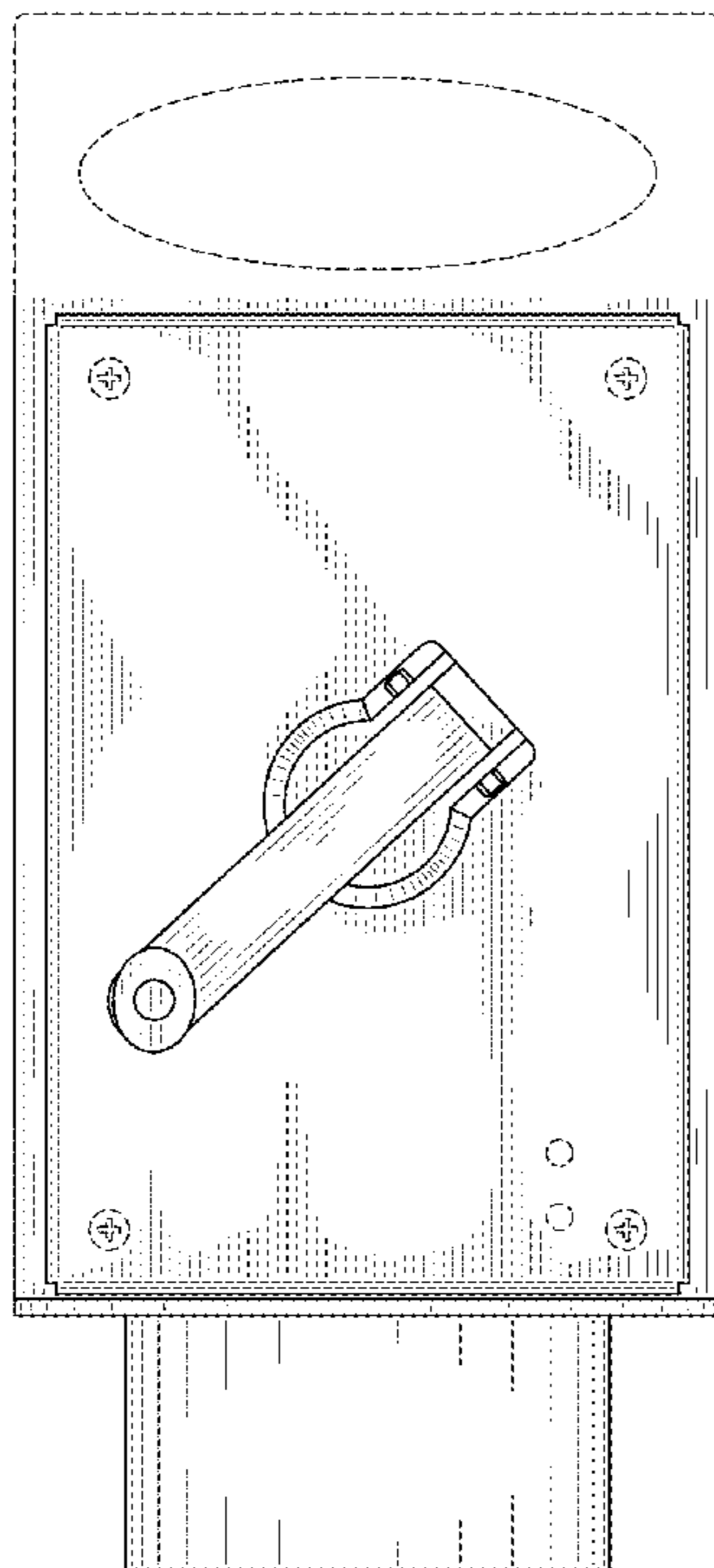
The ornamental design for a proximity marker, as shown and described.

DESCRIPTION

FIG. 1 is a front elevation view of a first embodiment of a proximity marker of the present invention; FIG. 2 is a rear elevation view thereof; FIG. 3 is a right side elevation thereof; FIG. 4 is a left side elevation view thereof; FIG. 5 is a top view thereof, and, FIG. 6 is a bottom view thereof.

The ornamental design which is claimed is shown in solid lines in the drawings. Any broken lines in the drawings are for illustrative purposes only and form no part of the claimed design.

1 Claim, 5 Drawing Sheets



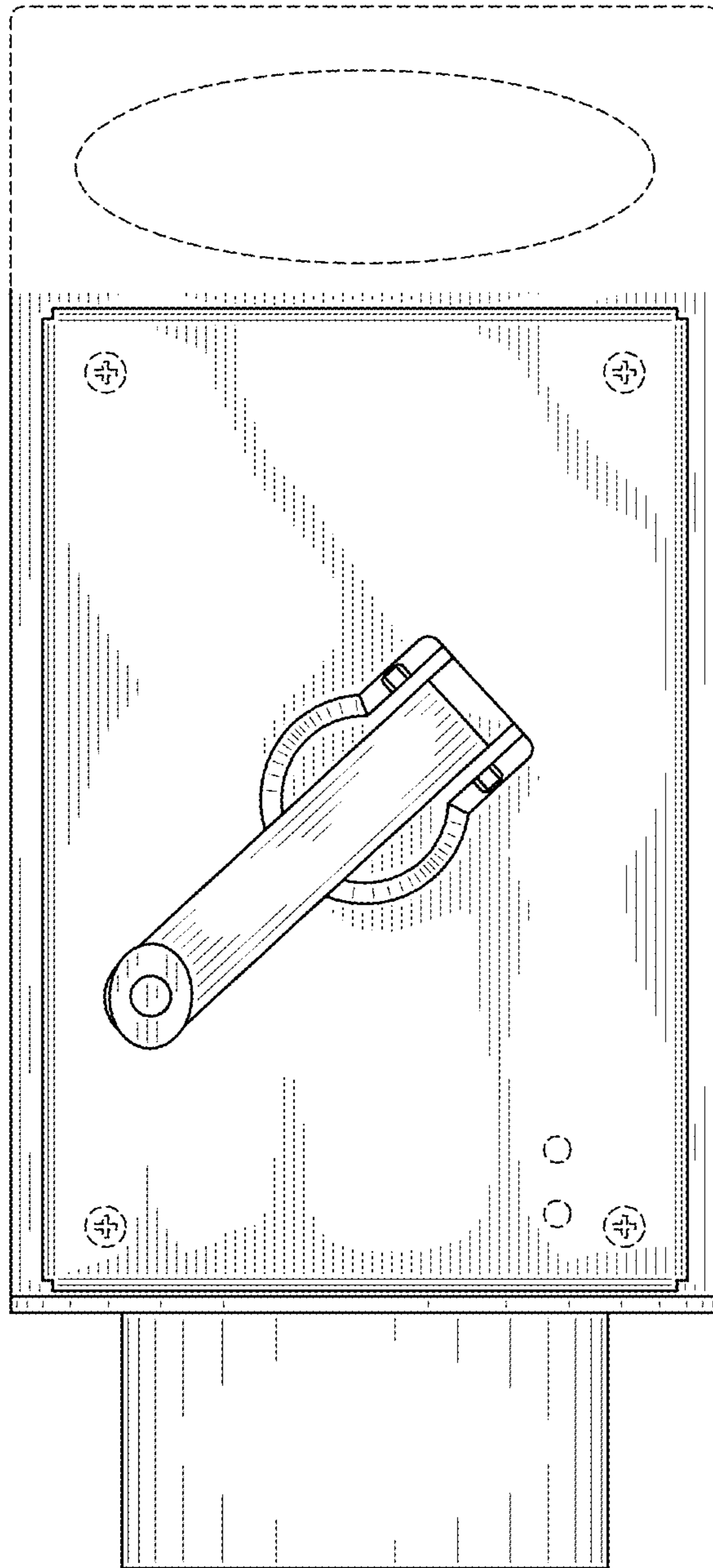


FIG. 1

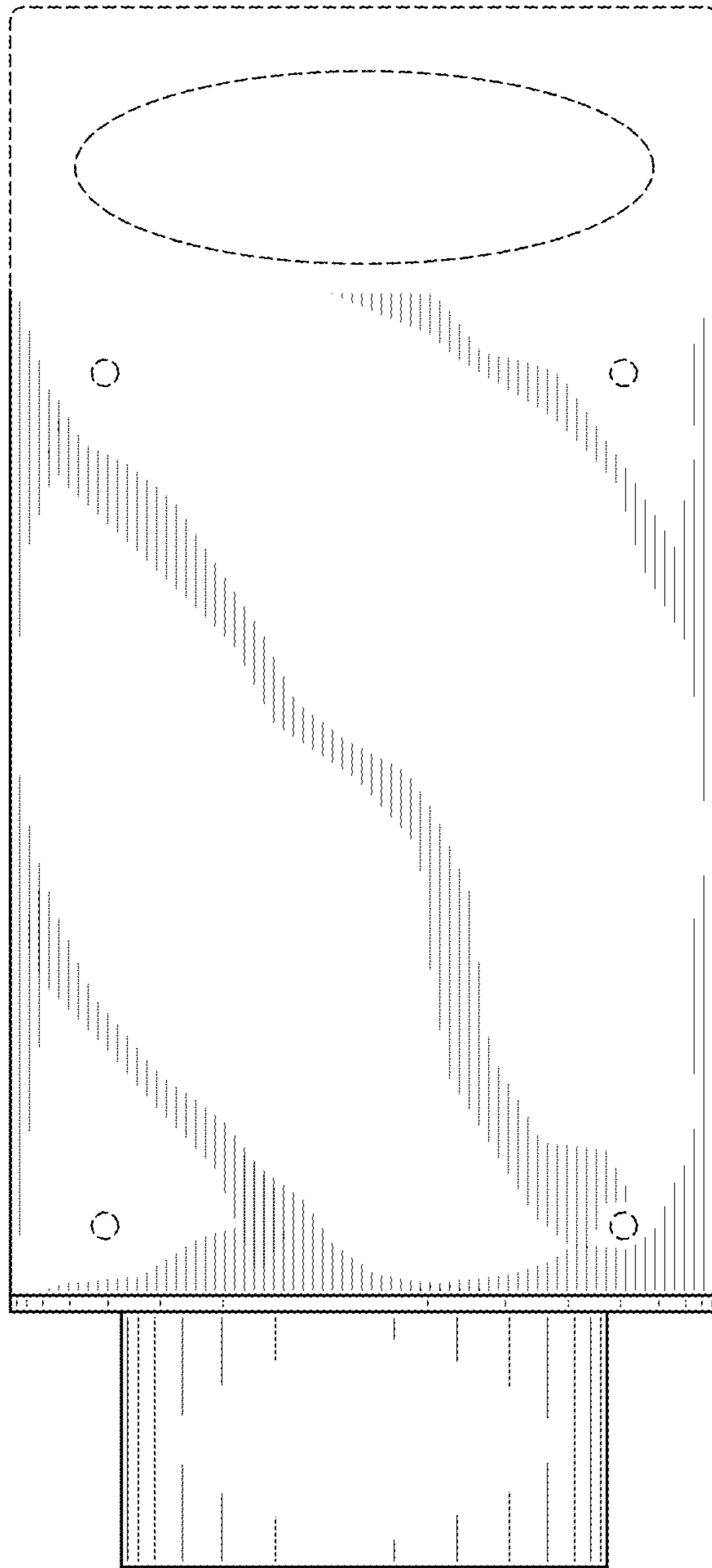


FIG. 2

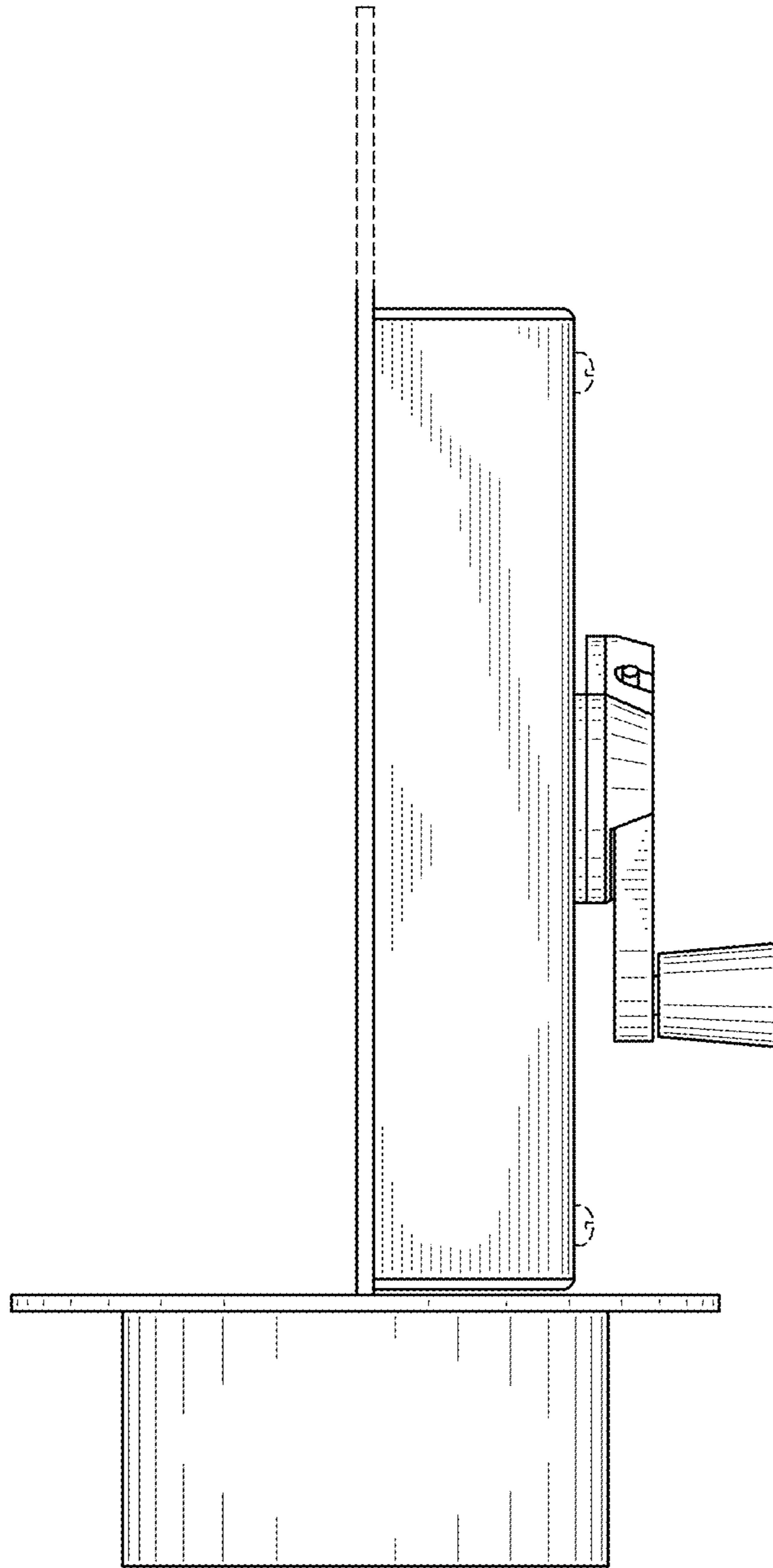


FIG. 3

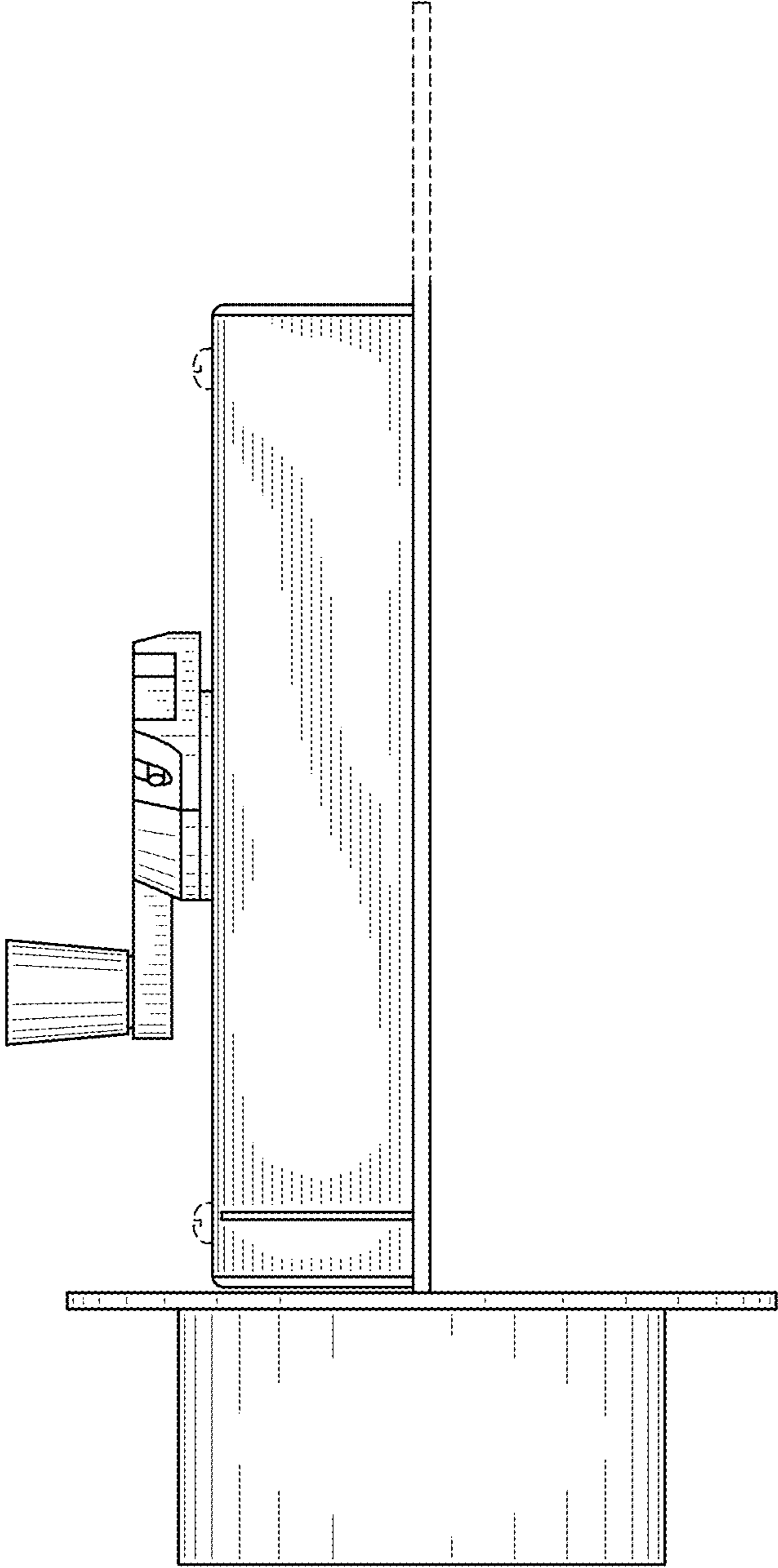


FIG. 4

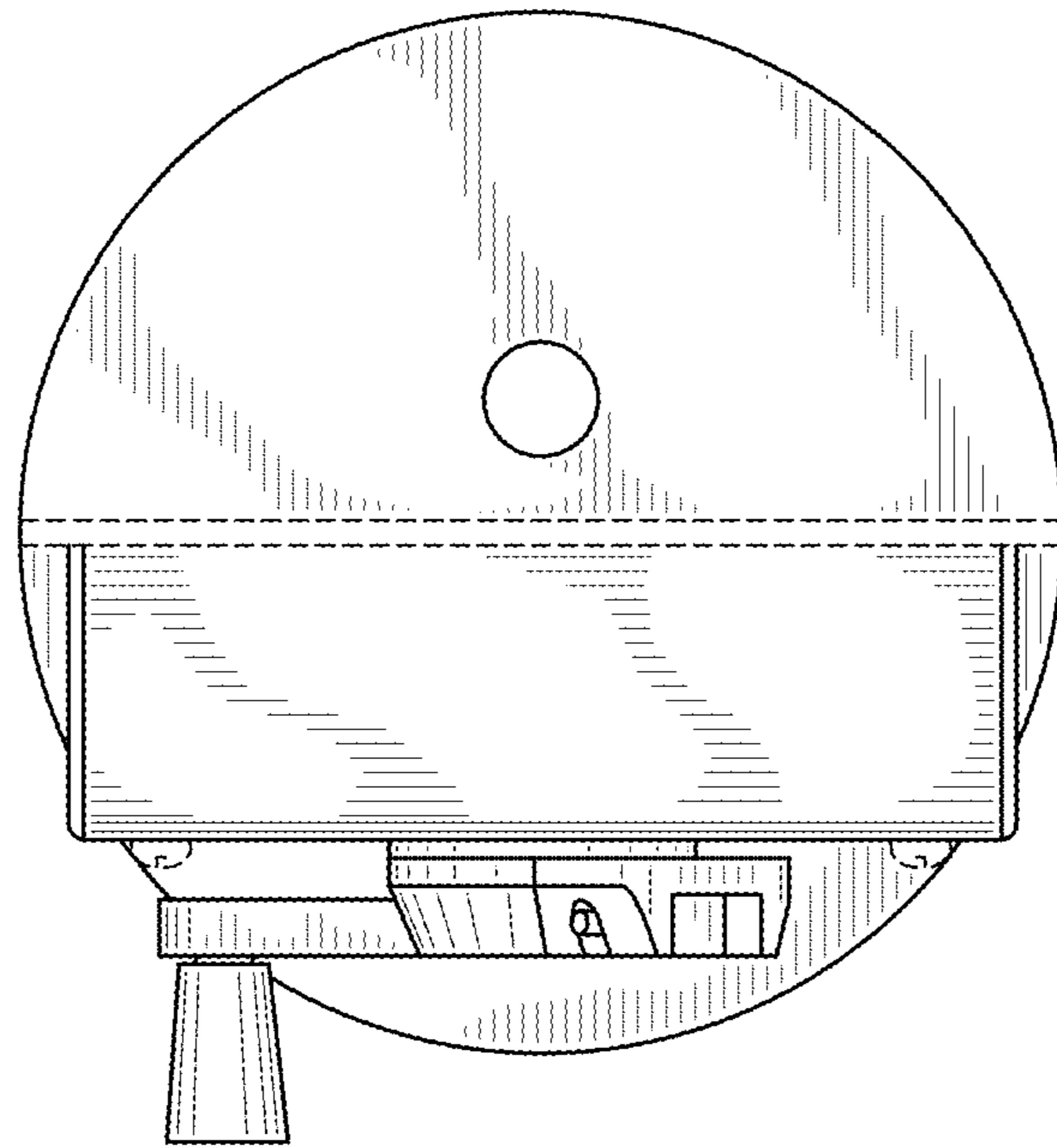


FIG. 5

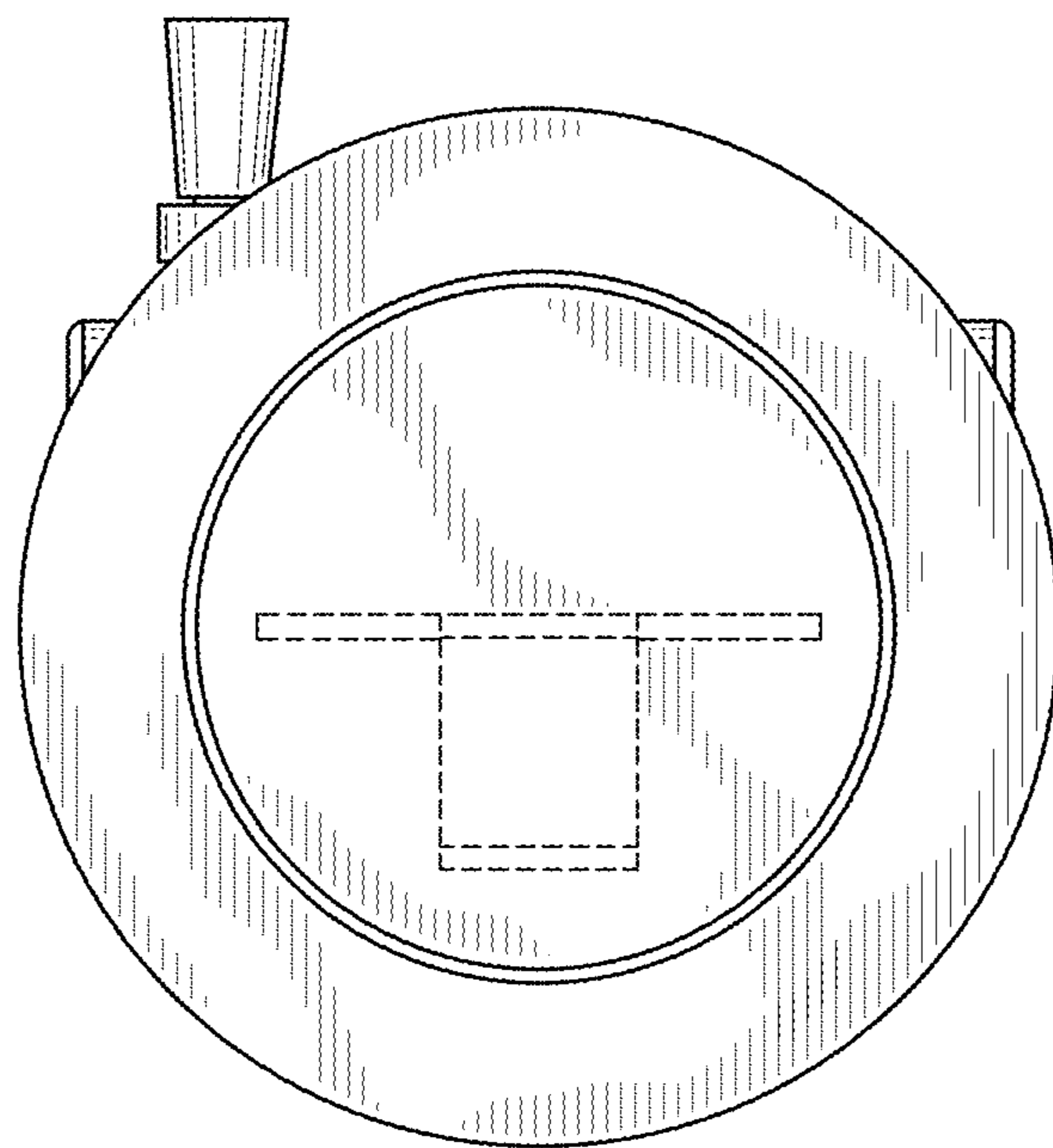


FIG. 6