

US00D749001S

(12) **United States Design Patent**
Chu

(10) **Patent No.:** **US D749,001 S**

(45) **Date of Patent:** **** *Feb. 9, 2016**

(54) **TEMPERATURE TEST UNIT**

(71) Applicant: **Henry C. Chu**, Orange, CA (US)

(72) Inventor: **Henry C. Chu**, Orange, CA (US)

(*) Notice: This patent is subject to a terminal disclaimer.

(**) Term: **14 Years**

(21) Appl. No.: **29/480,070**

(22) Filed: **Jan. 23, 2014**

(51) **LOC (10) Cl.** **10-04**

(52) **U.S. Cl.**
USPC **D10/52**

(58) **Field of Classification Search**
USPC D10/52-58
CPC G01J 5/00-5/62; G01K 1/00-1/26;
G01K 3/00-3/145; G01K 5/00-5/72; G01K
7/00-7/427; G01K 9/00; G01K 11/00-11/324;
G01K 17/00-17/20; G01K 2201/00-2201/02
See application file for complete search history.

(56) **References Cited**

U.S. PATENT DOCUMENTS

4,601,589	A *	7/1986	Meisner	374/208
5,380,091	A *	1/1995	Buchanan	374/16
D376,763	S *	12/1996	Flora et al.	D10/52
5,655,305	A *	8/1997	Fletcher	374/170
D410,204	S *	5/1999	Hendriks	D10/78
6,000,845	A *	12/1999	Tymkewicz et al.	374/155
D446,135	S *	8/2001	Chen	D10/57
D460,923	S *	7/2002	Chen	D10/52

D481,321	S *	10/2003	Knieriem et al.	D10/57
D504,335	S *	4/2005	Stevenson et al.	D10/57
D579,800	S *	11/2008	Mobley	D10/57
7,452,127	B2 *	11/2008	Blakely, III	374/142
D597,865	S *	8/2009	Bernard et al.	D10/52
D597,866	S *	8/2009	Bernard et al.	D10/52
7,648,268	B2 *	1/2010	Yerlikaya	374/100
7,722,248	B1 *	5/2010	Chapman et al.	374/155
7,854,549	B2 *	12/2010	Eng, Jr.	374/185
7,997,793	B2 *	8/2011	Stone et al.	374/164
D670,579	S *	11/2012	Cooney	D10/57
8,308,355	B2 *	11/2012	Lane et al.	374/153

* cited by examiner

Primary Examiner — Antoine D Davis

(74) *Attorney, Agent, or Firm* — Charles E. Baxley

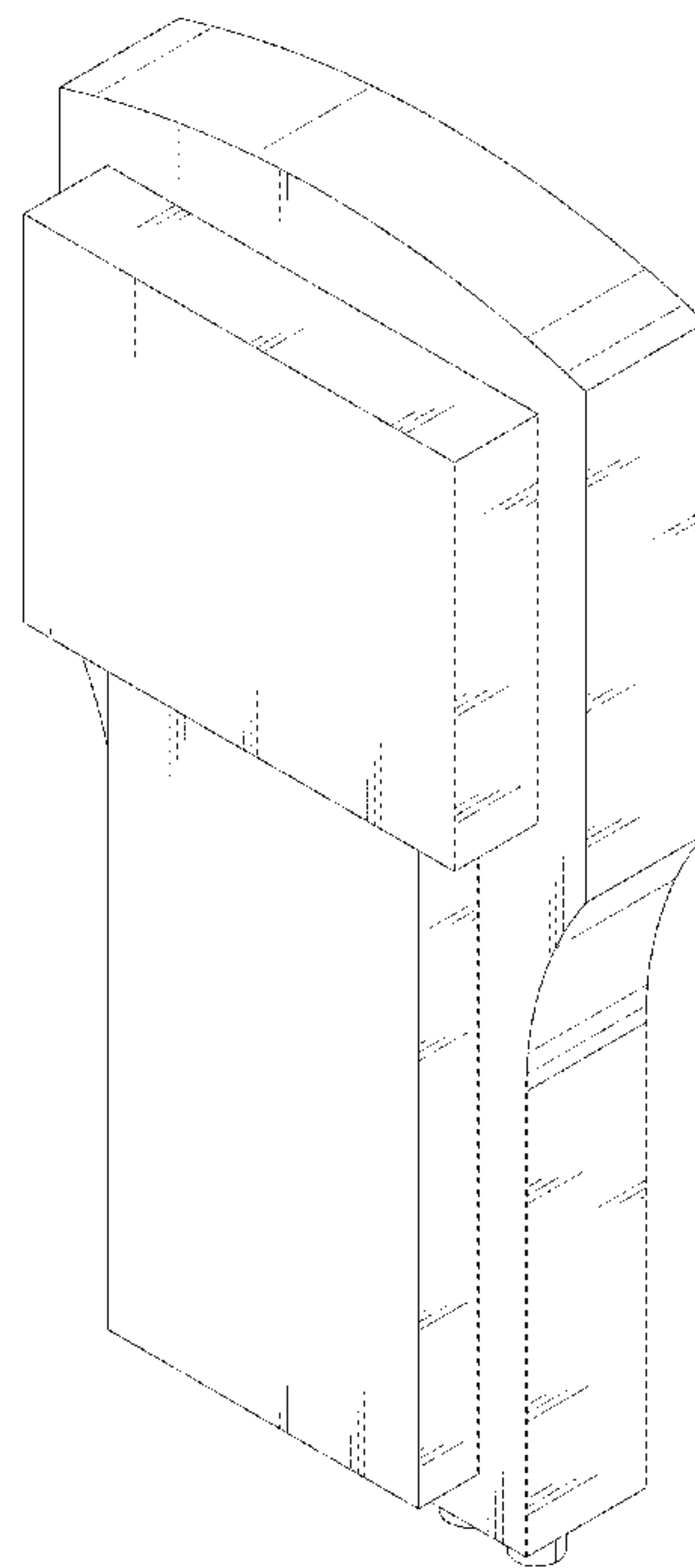
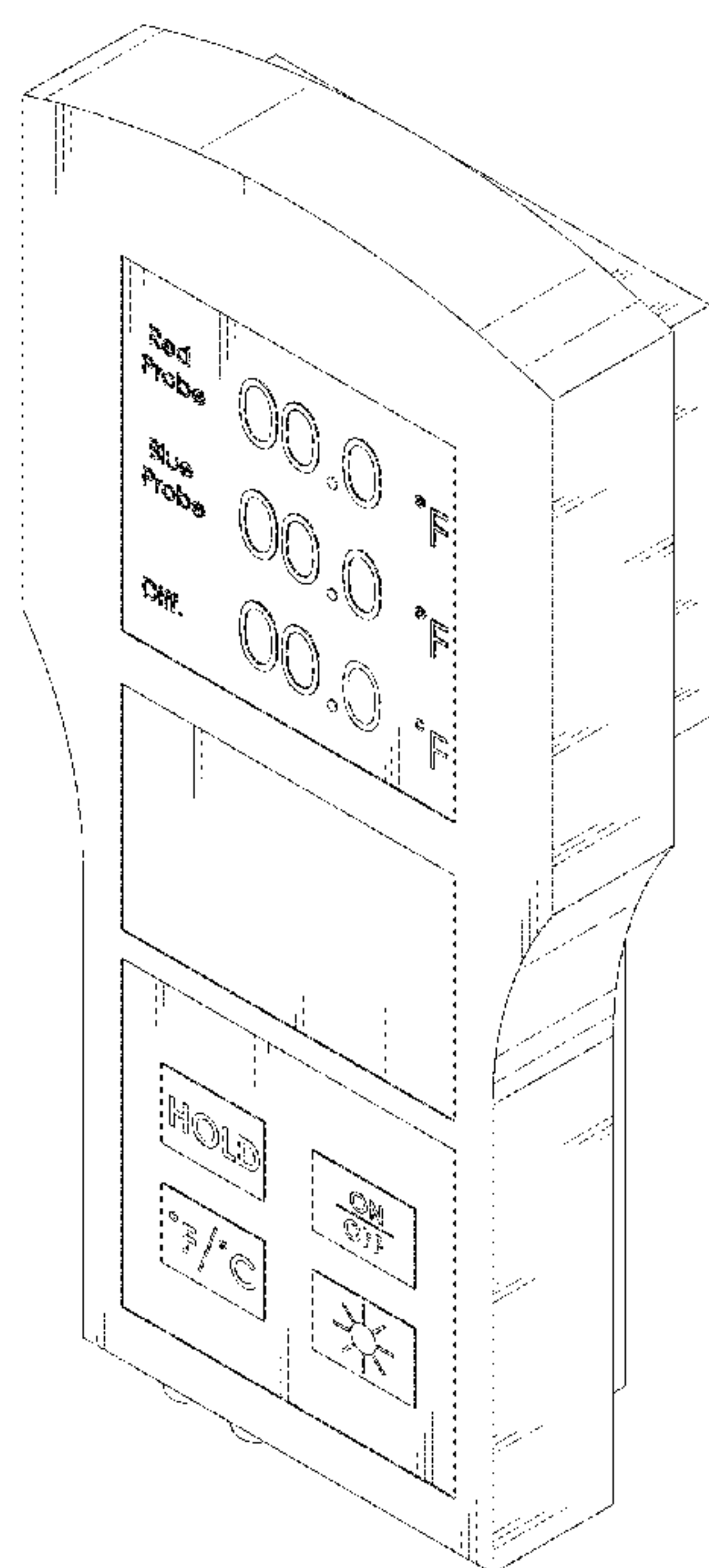
(57) **CLAIM**

The ornamental design for a temperature test unit, as shown and described.

DESCRIPTION

FIG. 1 is a front perspective view of a temperature test unit showing my new design;
FIG. 2 is a front elevational view thereof;
FIG. 3 is a rear elevational view thereof;
FIG. 4 is a top plan view thereof;
FIG. 5 is a bottom plan view thereof;
FIG. 6 is a left side elevational view thereof;
FIG. 7 is a right side elevational view thereof;
FIG. 8 is a rear and upper perspective view thereof; and,
FIG. 9 is a rear and bottom perspective view thereof, the probes depicted by means of broken lines being for illustrative purposes only and forming no part of the claimed design.

1 Claim, 7 Drawing Sheets



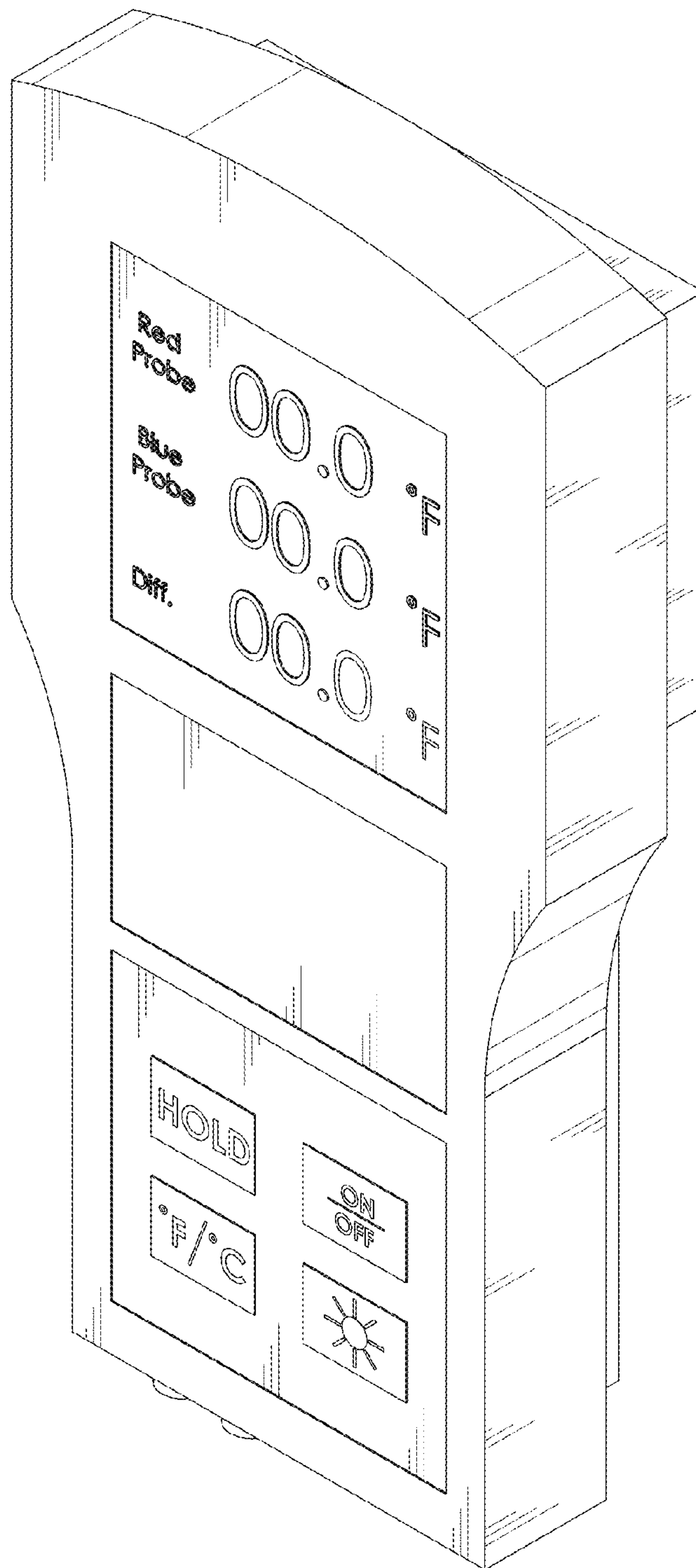


FIG. 1

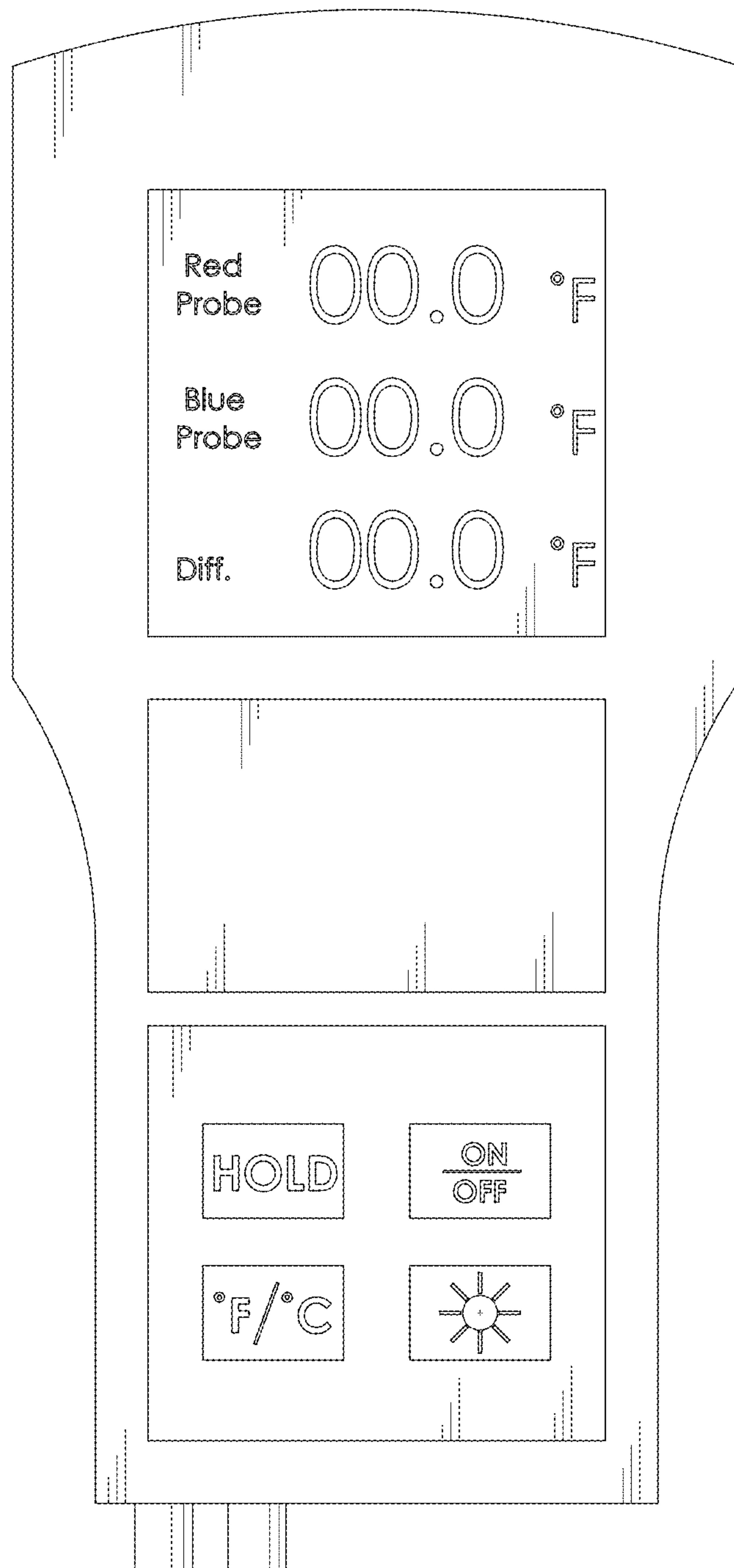


FIG. 2

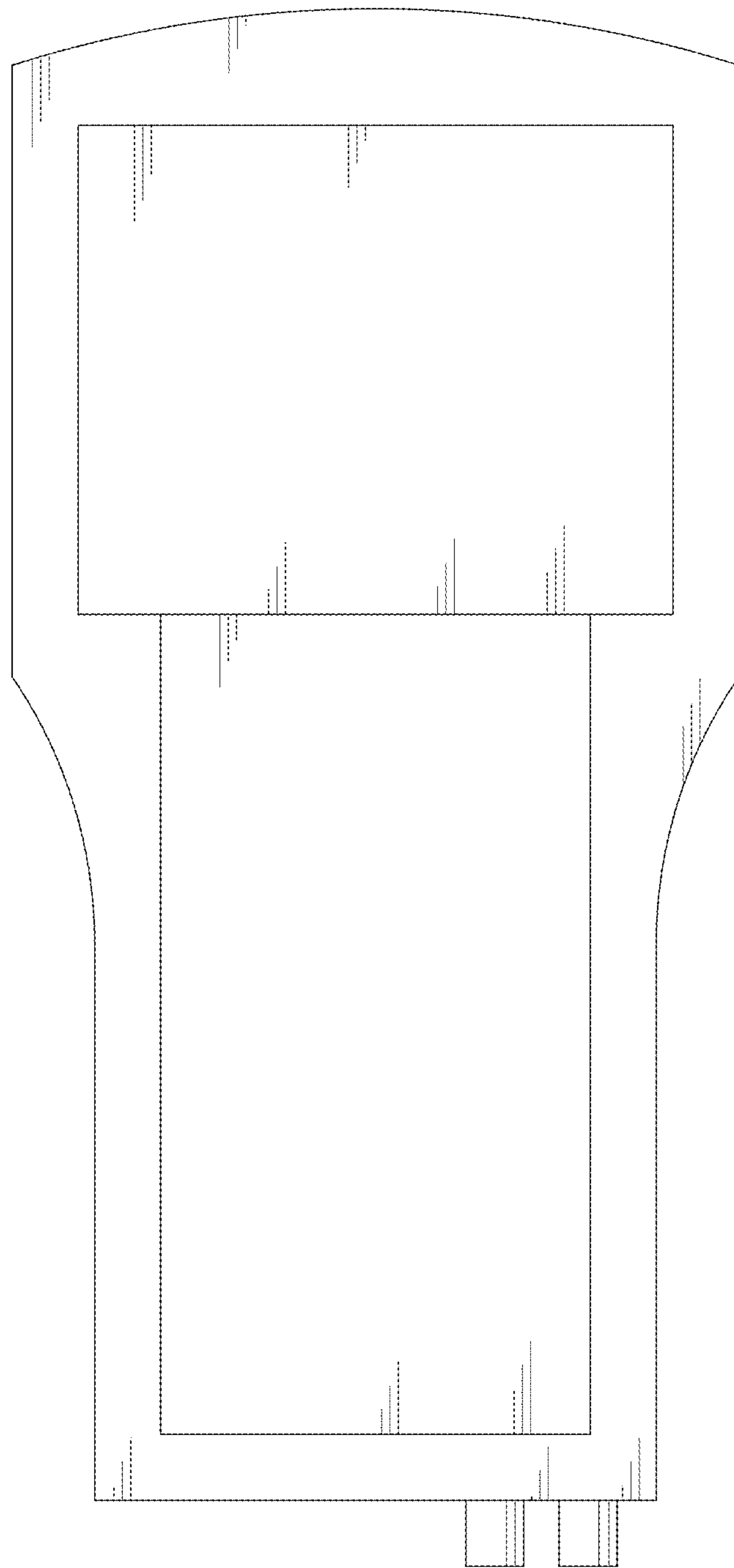


FIG. 3

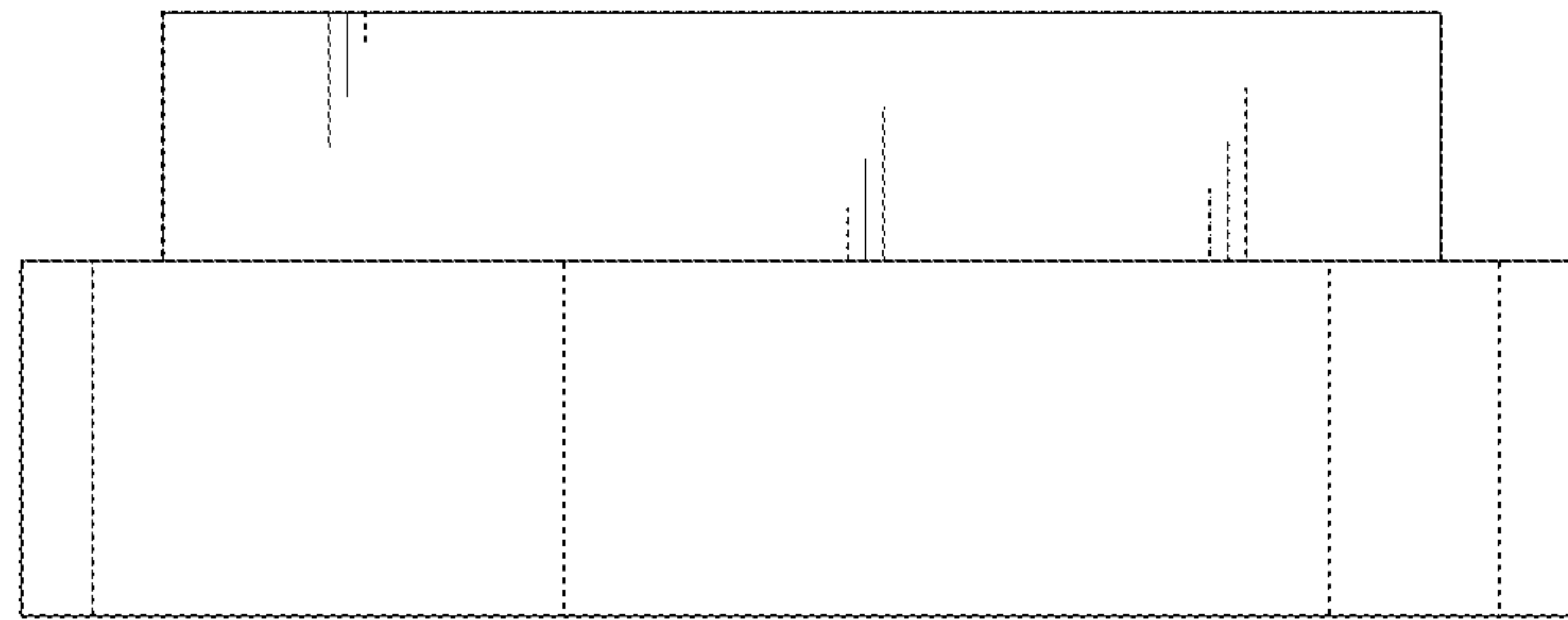


FIG. 4

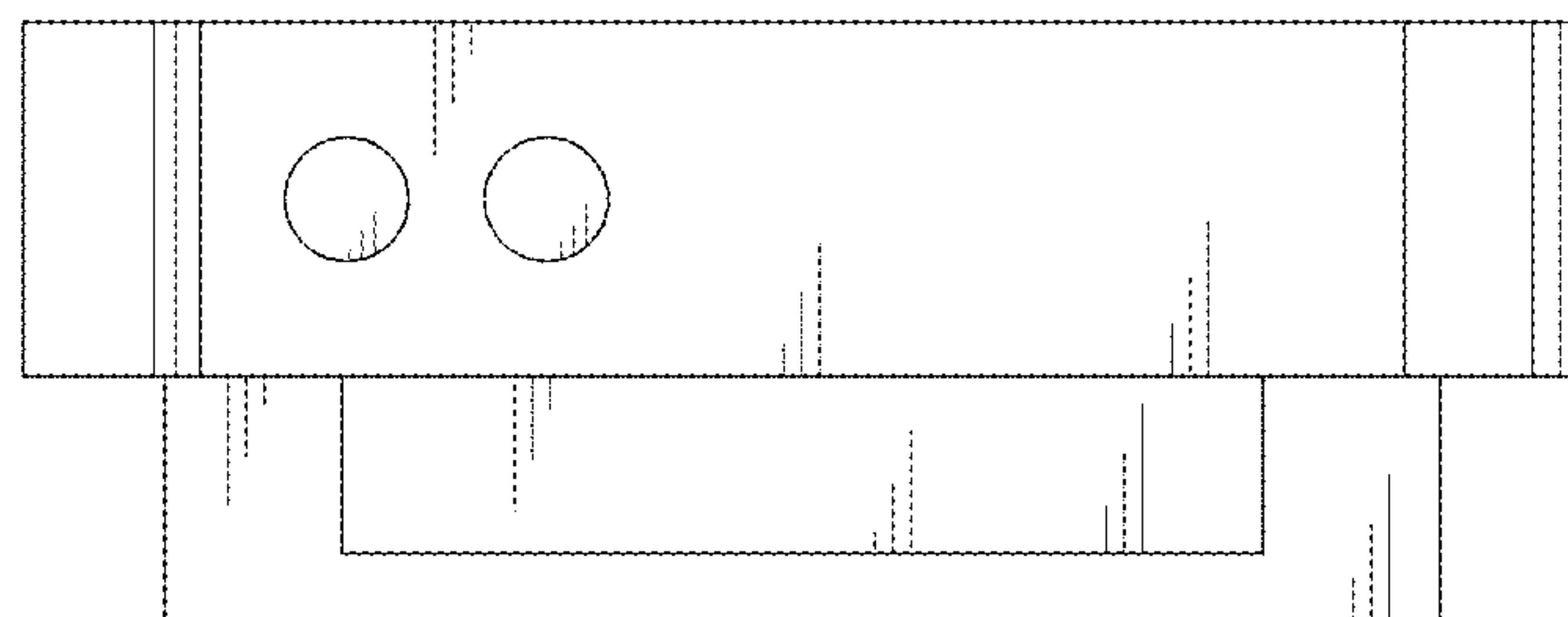


FIG. 5

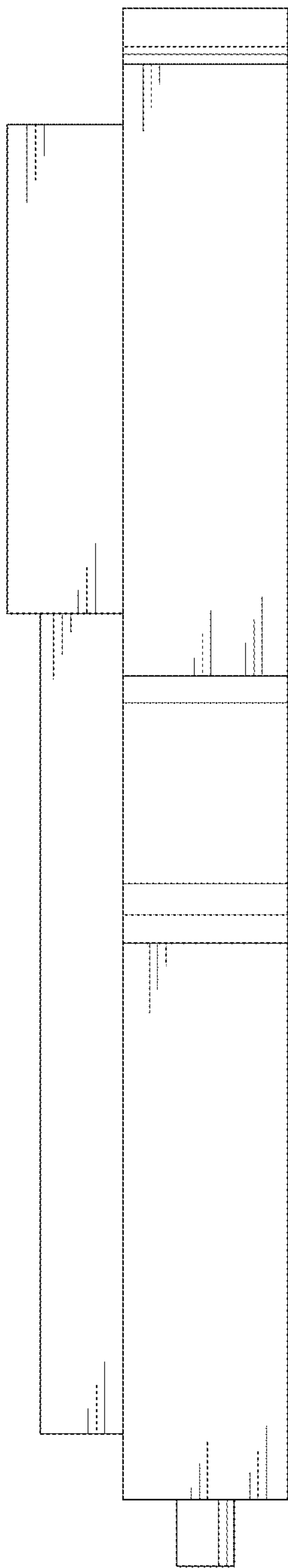


FIG. 6

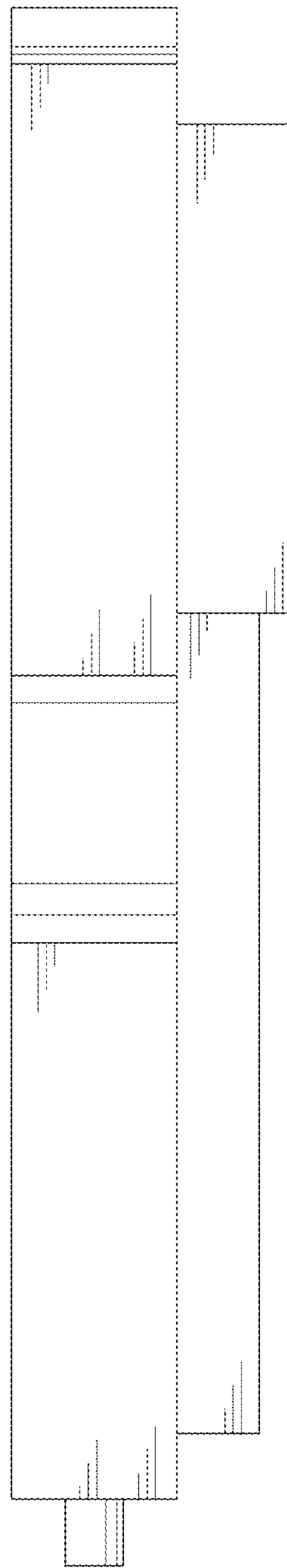


FIG. 7

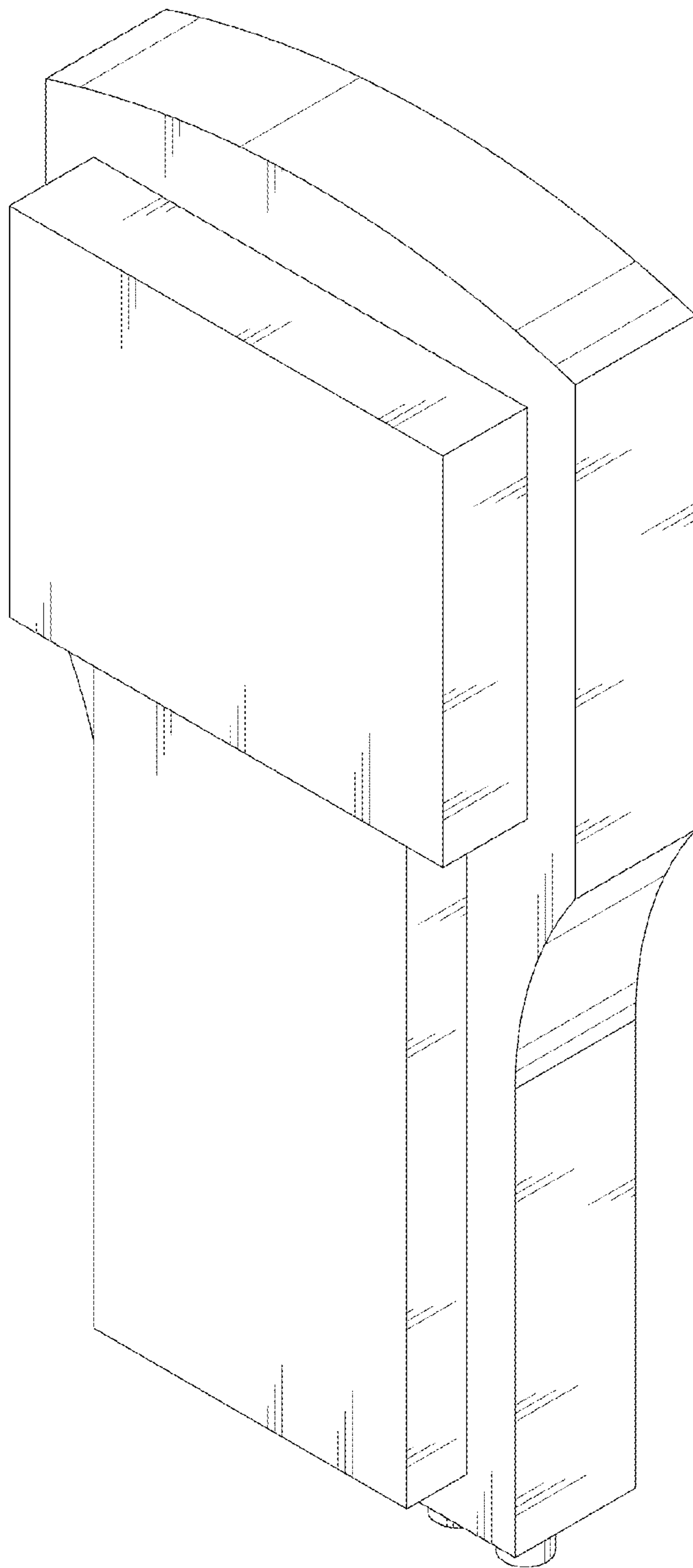


FIG. 8

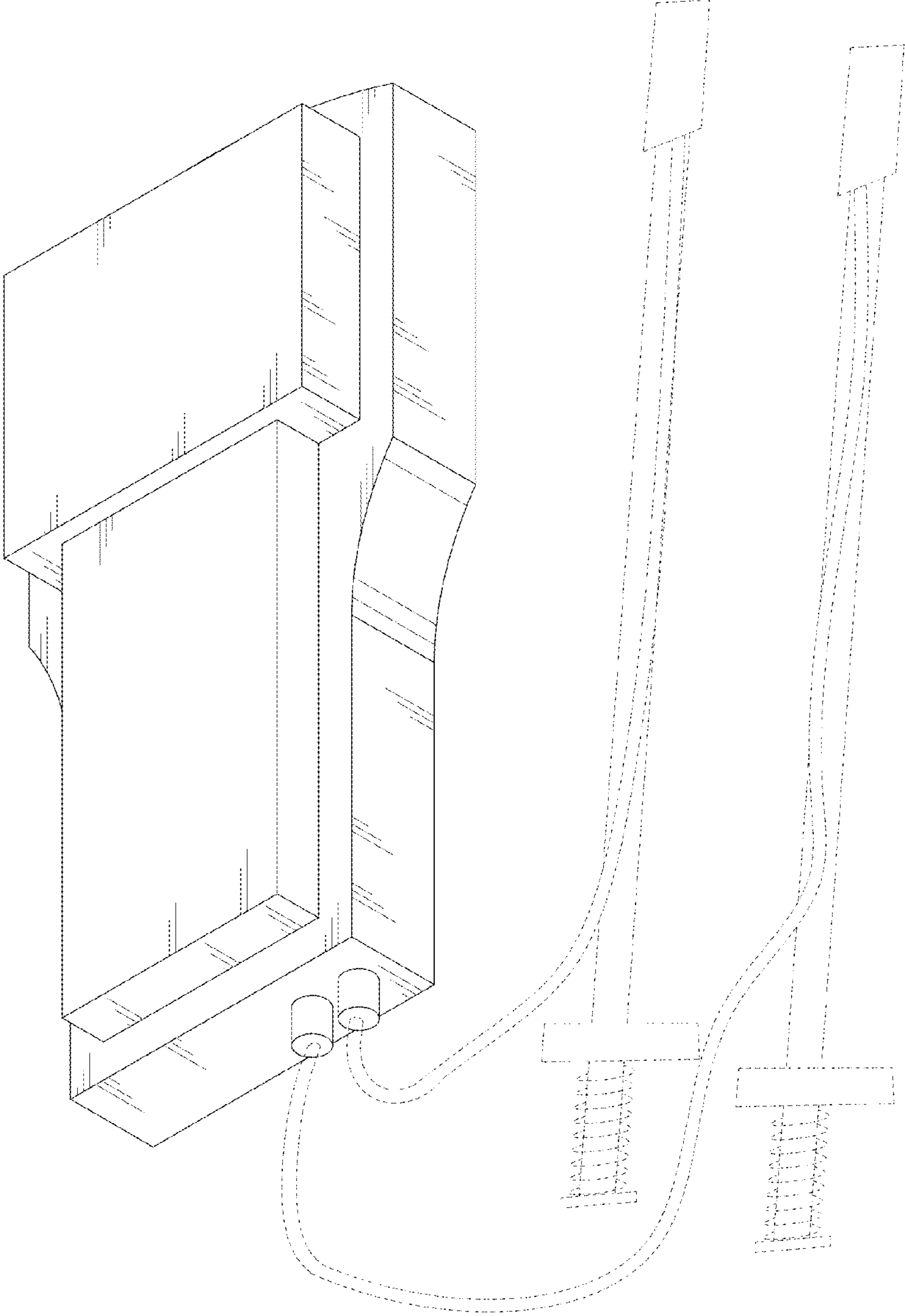


FIG. 9