



US00D748999S

(12) **United States Design Patent**  
**Belamich**

(10) **Patent No.:** **US D748,999 S**

(45) **Date of Patent:** **\*\* Feb. 9, 2016**

(54) **WATCH**

(71) Applicant: **Bell & Ross B.V.**, Zoertermeer (NL)

(72) Inventor: **Bruno Belamich**, Paris (FR)

(73) Assignee: **BELL & ROSS B.V.**, Zoertermeer (NL)

(\*\*) Term: **14 Years**

(21) Appl. No.: **29/458,924**

(22) Filed: **Jun. 24, 2013**

(30) **Foreign Application Priority Data**

Apr. 17, 2013	(EM)	001367965-001
Apr. 17, 2013	(EM)	001367965-002
Apr. 17, 2013	(EM)	001367965-003
Apr. 17, 2013	(EM)	001367965-004
Apr. 17, 2013	(EM)	001367965-005
Apr. 17, 2013	(EM)	001367965-006
Apr. 17, 2013	(EM)	001367965-007
Apr. 17, 2013	(EM)	001367965-008

(51) **LOC (10) Cl.** ..... **10-02**

(52) **U.S. Cl.**  
USPC ..... **D10/39**; D10/126

(58) **Field of Classification Search**  
USPC ..... D10/30-39, 1-29, 122-132  
CPC ..... G04B 3/00; G04B 3/04; G04B 19/00;  
G04B 19/056; G04B 19/10; G04B 19/24;  
G04B 37/00; G04B 37/0008; G04B 37/057;  
G04B 45/00; G04B 45/0069; G04B 45/0076

See application file for complete search history.

(56) **References Cited**

U.S. PATENT DOCUMENTS

2,852,908	A	*	9/1958	Stern et al.	368/77
D301,983	S	*	7/1989	Benoit-Pequignet et al.	D10/32
D397,042	S	*	8/1998	Riley	D10/30
D465,739	S	*	11/2002	Arabov	D10/39
D517,432	S	*	3/2006	Laucella	D10/39
D536,628	S	*	2/2007	Roth	D10/38
D537,371	S	*	2/2007	Belamich	D10/39
D578,412	S	*	10/2008	Belamich	D10/39
D588,025	S	*	3/2009	Belamich	D10/39
D594,352	S	*	6/2009	Belamich	D10/39

\* cited by examiner

*Primary Examiner* — Martie K Holtje

(74) *Attorney, Agent, or Firm* — Volpe and Koenig, P.C.

(57) **CLAIM**

The ornamental design for a watch, as shown and described.

**DESCRIPTION**

FIG. 1 is a right side elevational view of a watch showing my new design;

FIG. 2 is a bottom plan view thereof;

FIG. 3 is a top plan view thereof;

FIG. 4 is a front elevational view thereof;

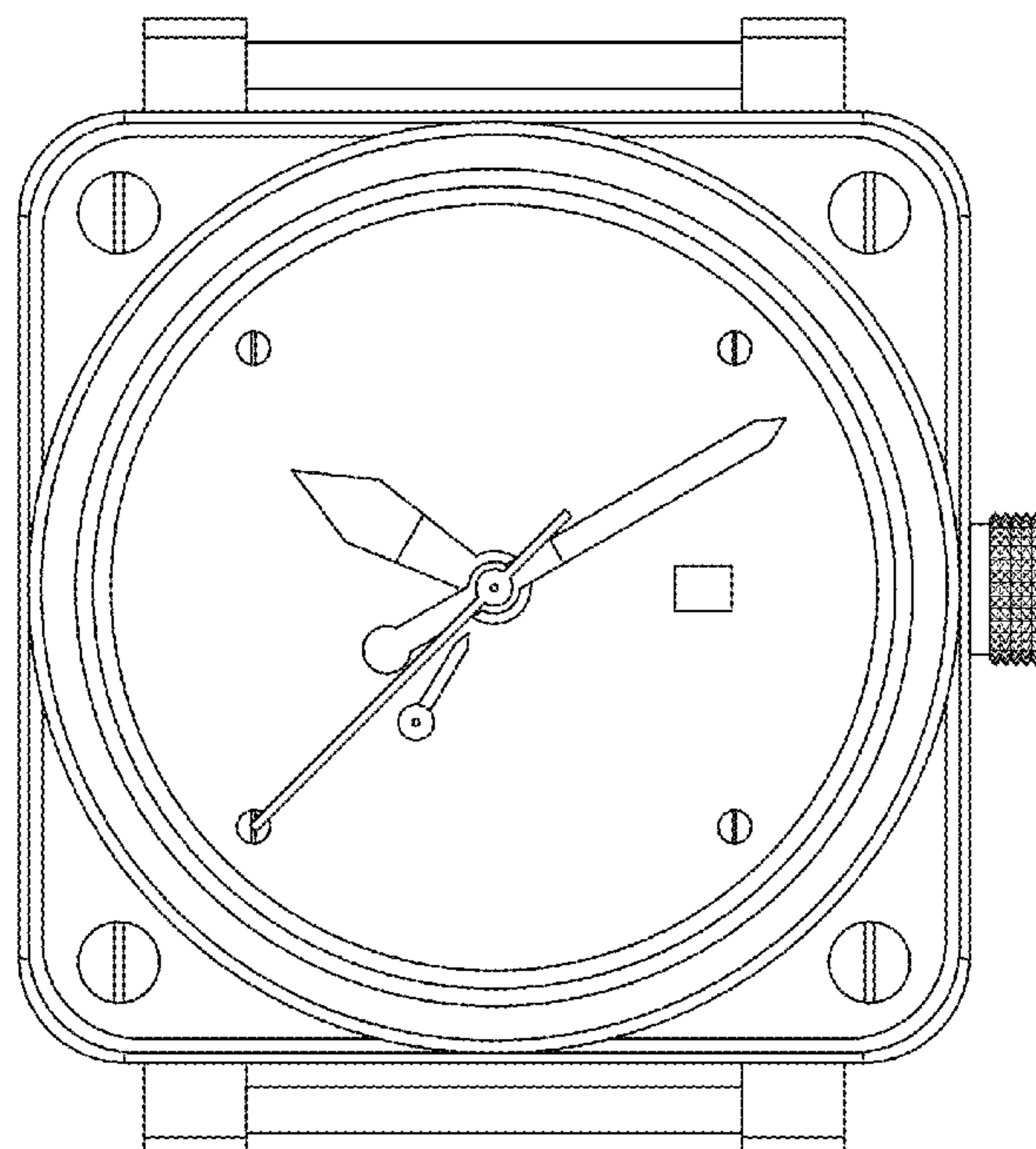
FIG. 5 is a left side elevational view thereof;

FIG. 6 is a rear elevational view thereof; and,

FIG. 7 is a bottom right front perspective view thereof.

The structural features depicted by broken lines in FIG. 6 have been shown for the purpose of illustrating portions of the watch that form no part of the claimed design.

**1 Claim, 3 Drawing Sheets**



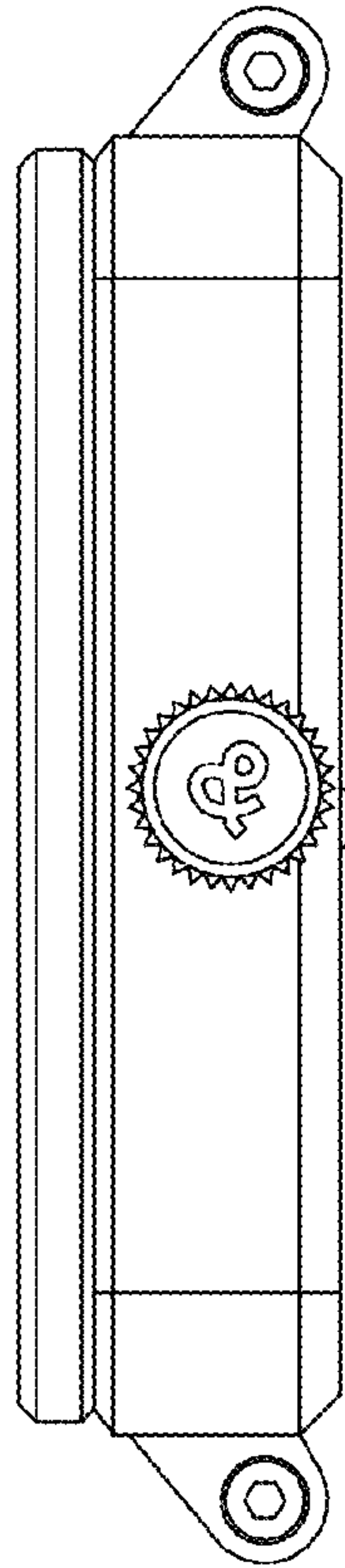


FIG. 1

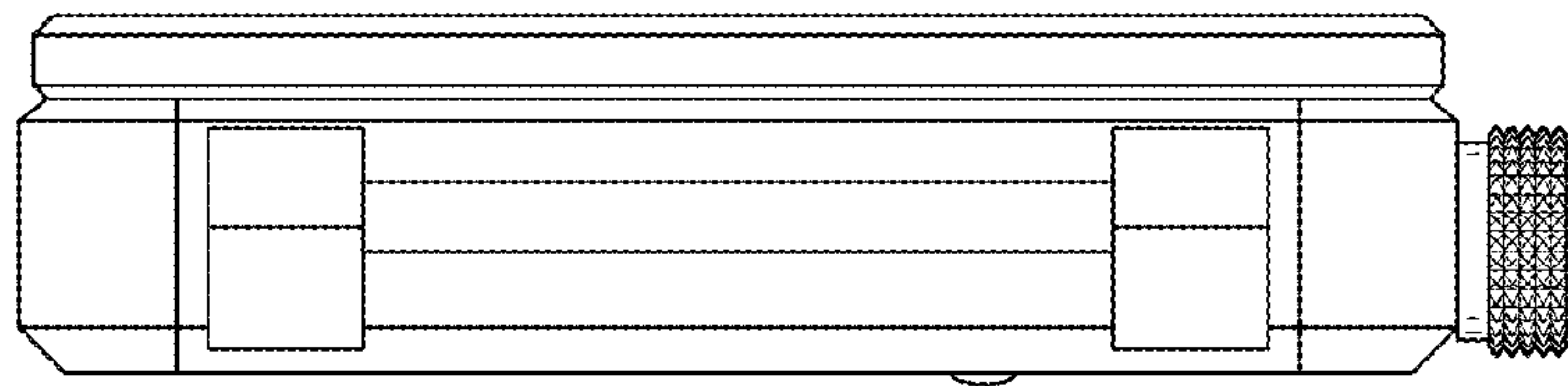


FIG. 2

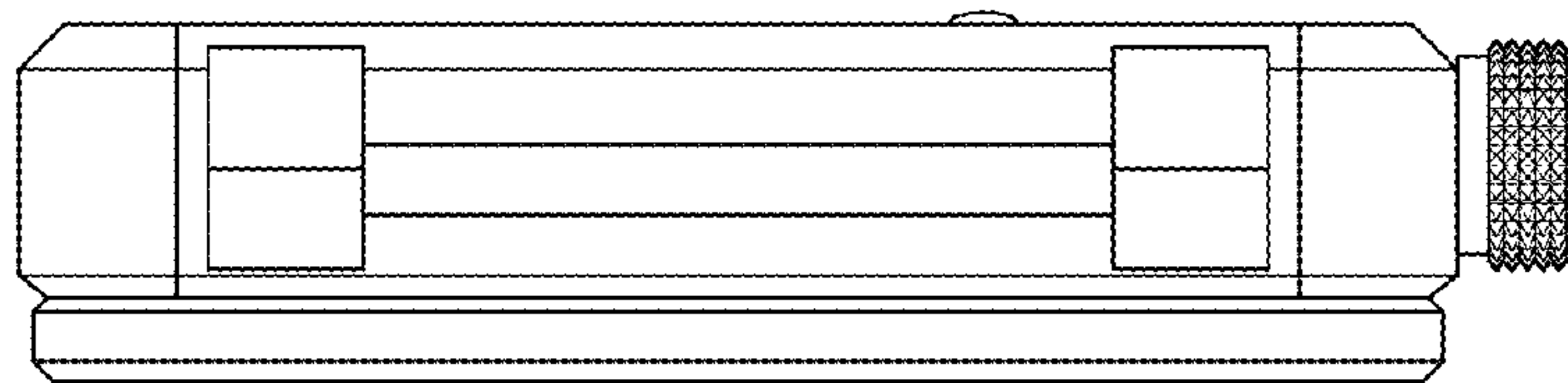


FIG. 3

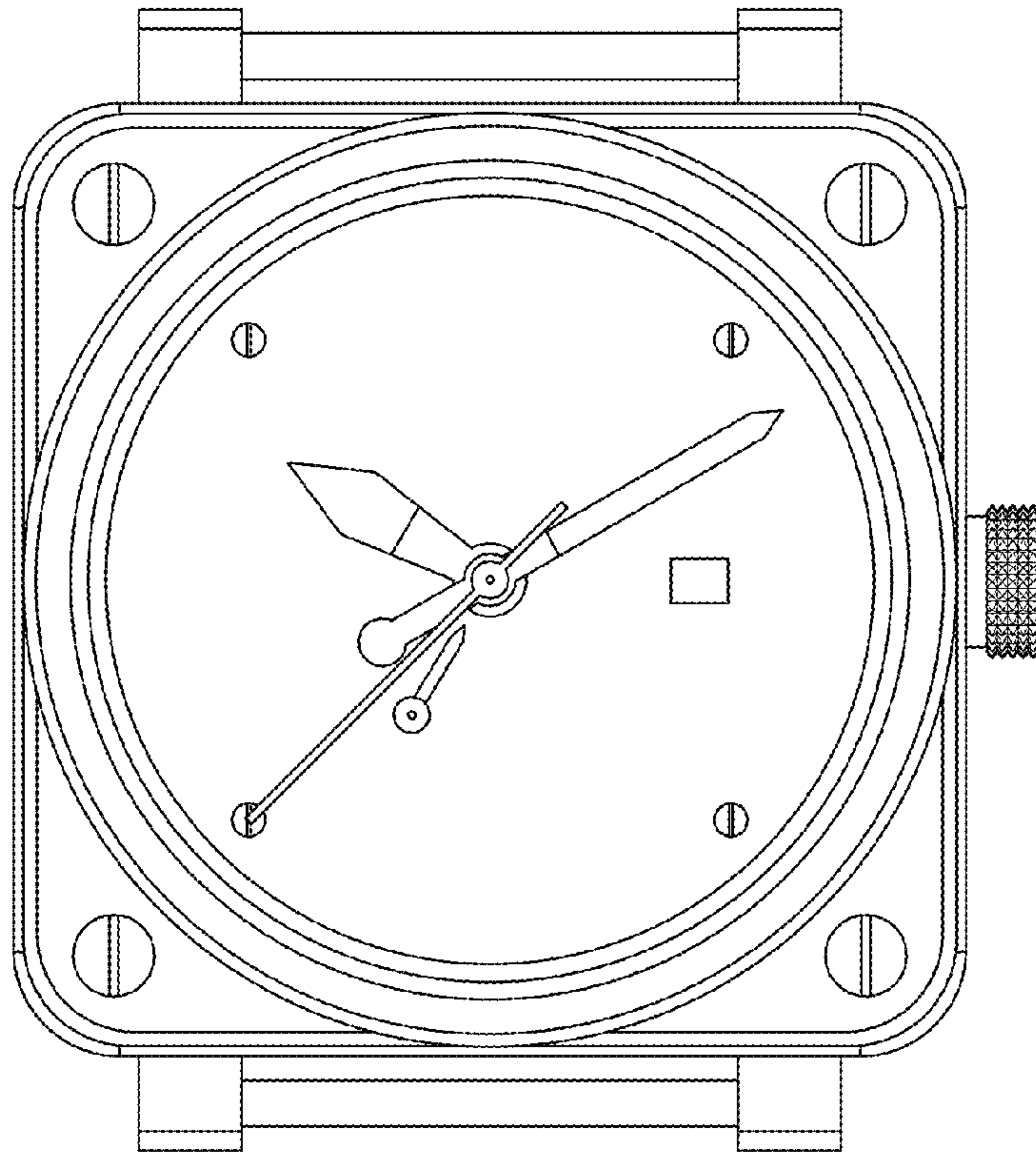


FIG. 4

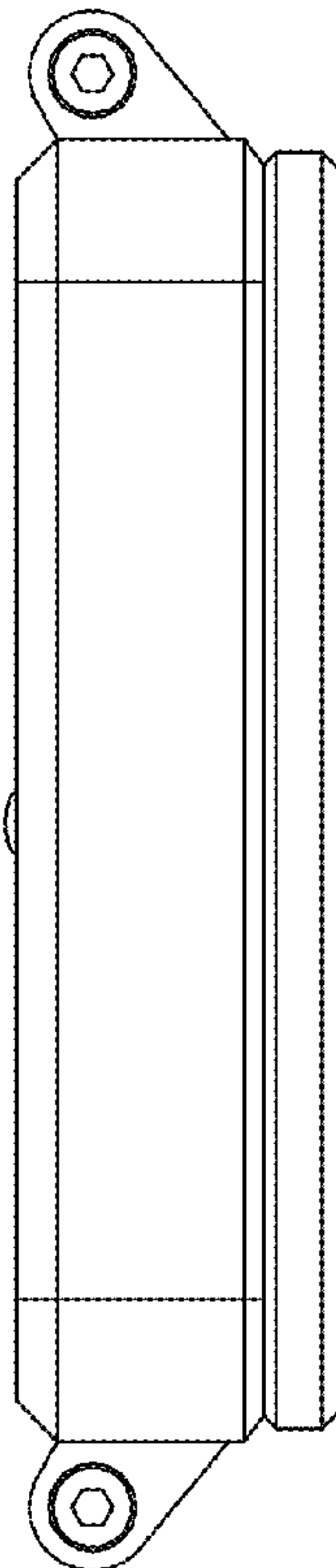


FIG. 5

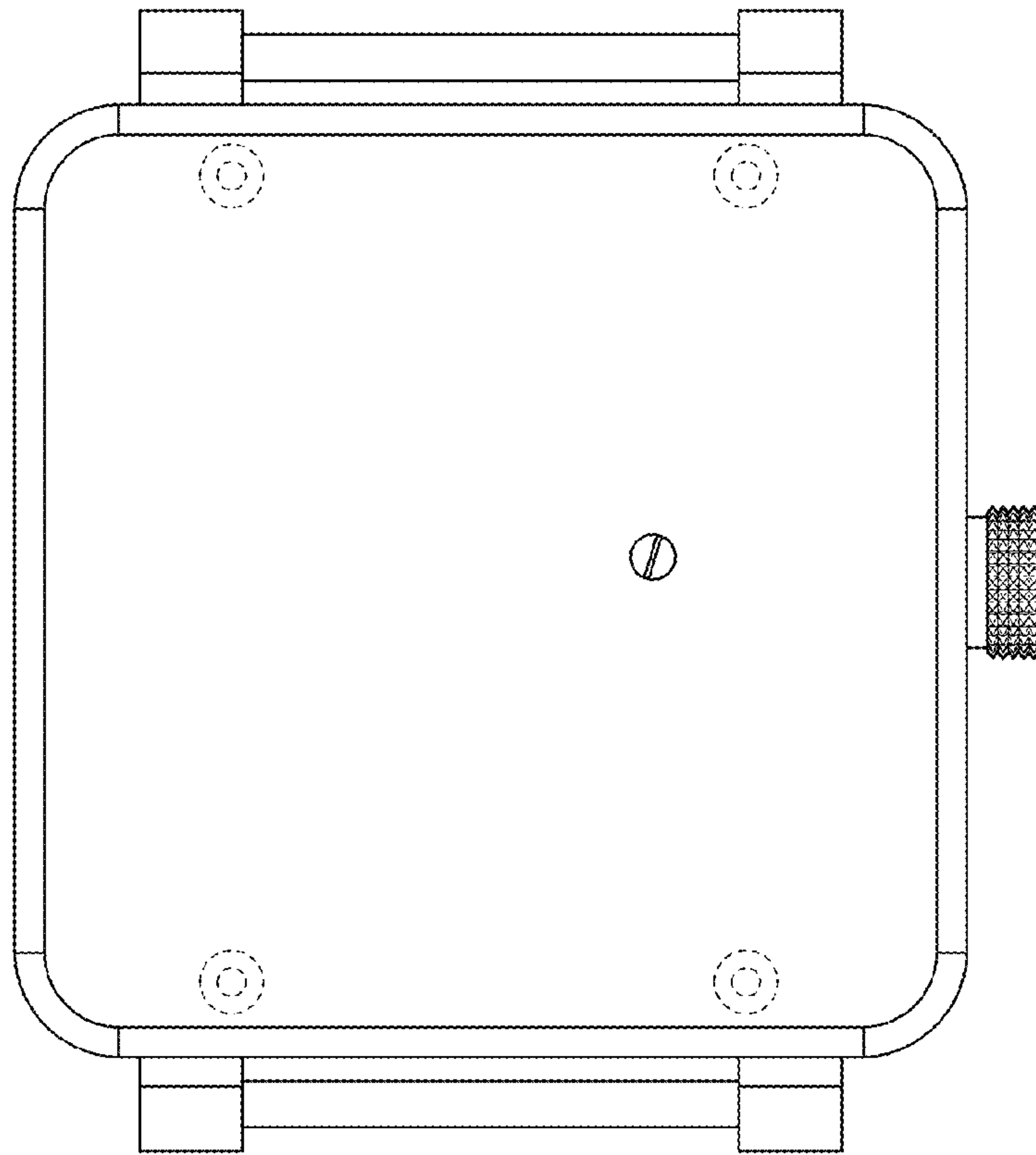


FIG. 6

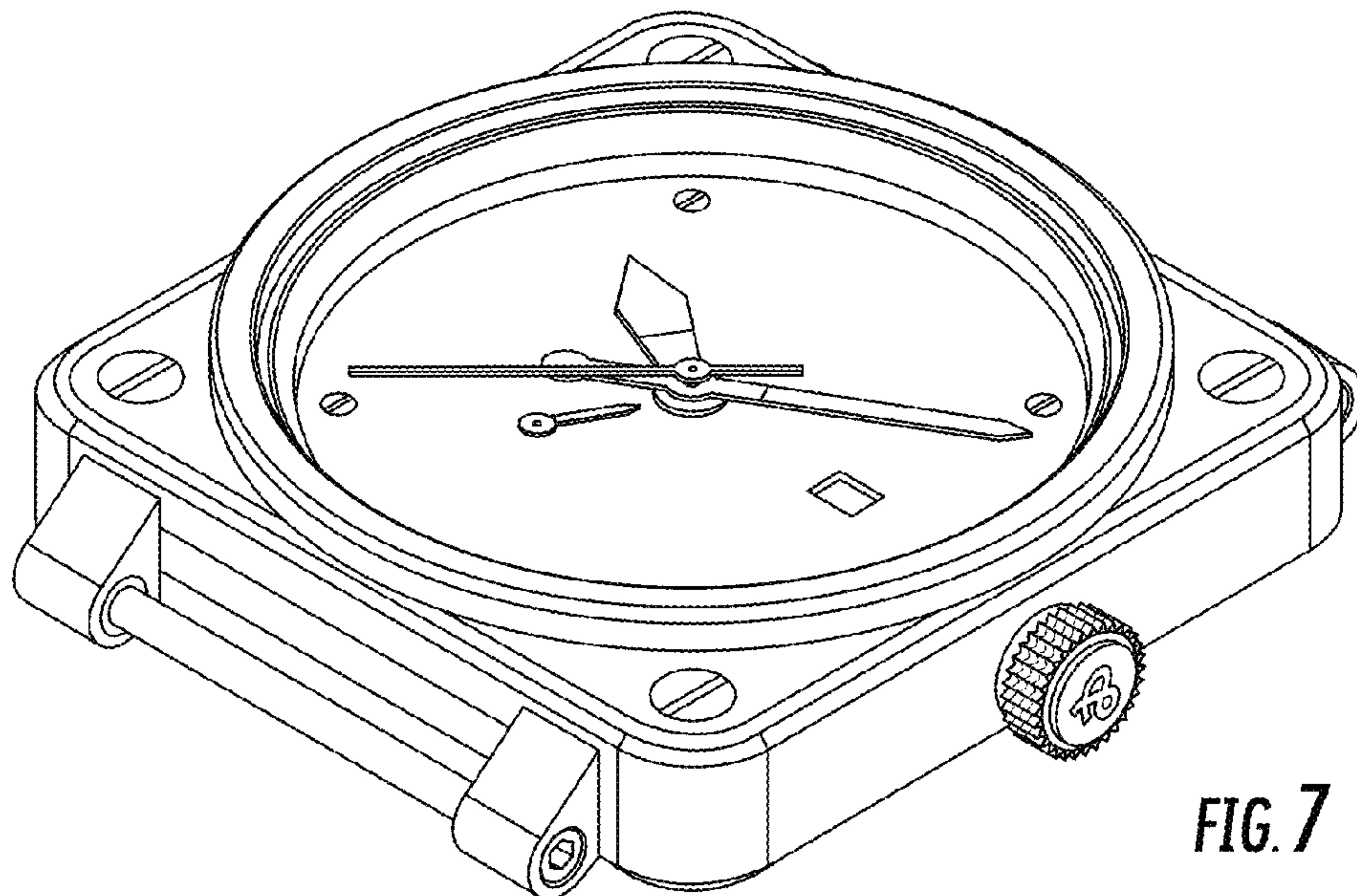


FIG. 7