

US00D748998S

(12) **United States Design Patent**  
**Meylan**

(10) **Patent No.:** **US D748,998 S**

(45) **Date of Patent:** **\*\* Feb. 9, 2016**

(54) **WATCH CASE**

(71) Applicant: **Georges-Henri Meylan**, Le Brassus  
(CH)

(72) Inventor: **Georges-Henri Meylan**, Le Brassus  
(CH)

(73) Assignee: **C.H. MEYLAN SA** (CH)

(\*\*) Term: **14 Years**

(21) Appl. No.: **29/510,433**

(22) Filed: **Nov. 27, 2014**

(51) **LOC (10) Cl.** ..... **10-02**

(52) **U.S. Cl.**  
USPC ..... **D10/38; D10/30**

(58) **Field of Classification Search**  
USPC ..... D10/30-39, 1-29, 122-132  
CPC ..... G04B 19/00; G04B 19/18; G04B 19/22;  
G04B 37/00; G04B 37/0008; G04B 37/0058;  
G04B 39/00; G04B 39/002; G04B 39/02;  
G04B 45/00; G04B 45/0069  
See application file for complete search history.

(56) **References Cited**

**U.S. PATENT DOCUMENTS**

D87,288 S \* 7/1932 Abel ..... D10/21  
D178,091 S \* 6/1956 Sparks ..... D10/39  
D220,355 S \* 3/1971 Judson ..... D10/21

D228,566 S \* 10/1973 Dale ..... D10/17  
D235,520 S \* 6/1975 Kwon ..... D10/39  
D333,626 S \* 3/1993 Chang ..... D10/32  
5,745,440 A \* 4/1998 Chen ..... G04B 19/22  
368/21  
D541,676 S \* 5/2007 Liao ..... D10/38  
D555,517 S \* 11/2007 Dias ..... D10/38  
D608,665 S \* 1/2010 Perrenoud ..... D10/38  
D655,630 S \* 3/2012 Behling ..... D10/38  
D666,924 S \* 9/2012 Ahlstrom ..... D10/32  
D666,925 S \* 9/2012 Ahlstrom ..... D10/32  
D684,486 S \* 6/2013 Messmer ..... D10/39  
D692,322 S \* 10/2013 Behling ..... D10/39

\* cited by examiner

*Primary Examiner* — Martie K Holtje

(74) *Attorney, Agent, or Firm* — Galbreath Law Offices,  
P.C.; John A. Galbreath

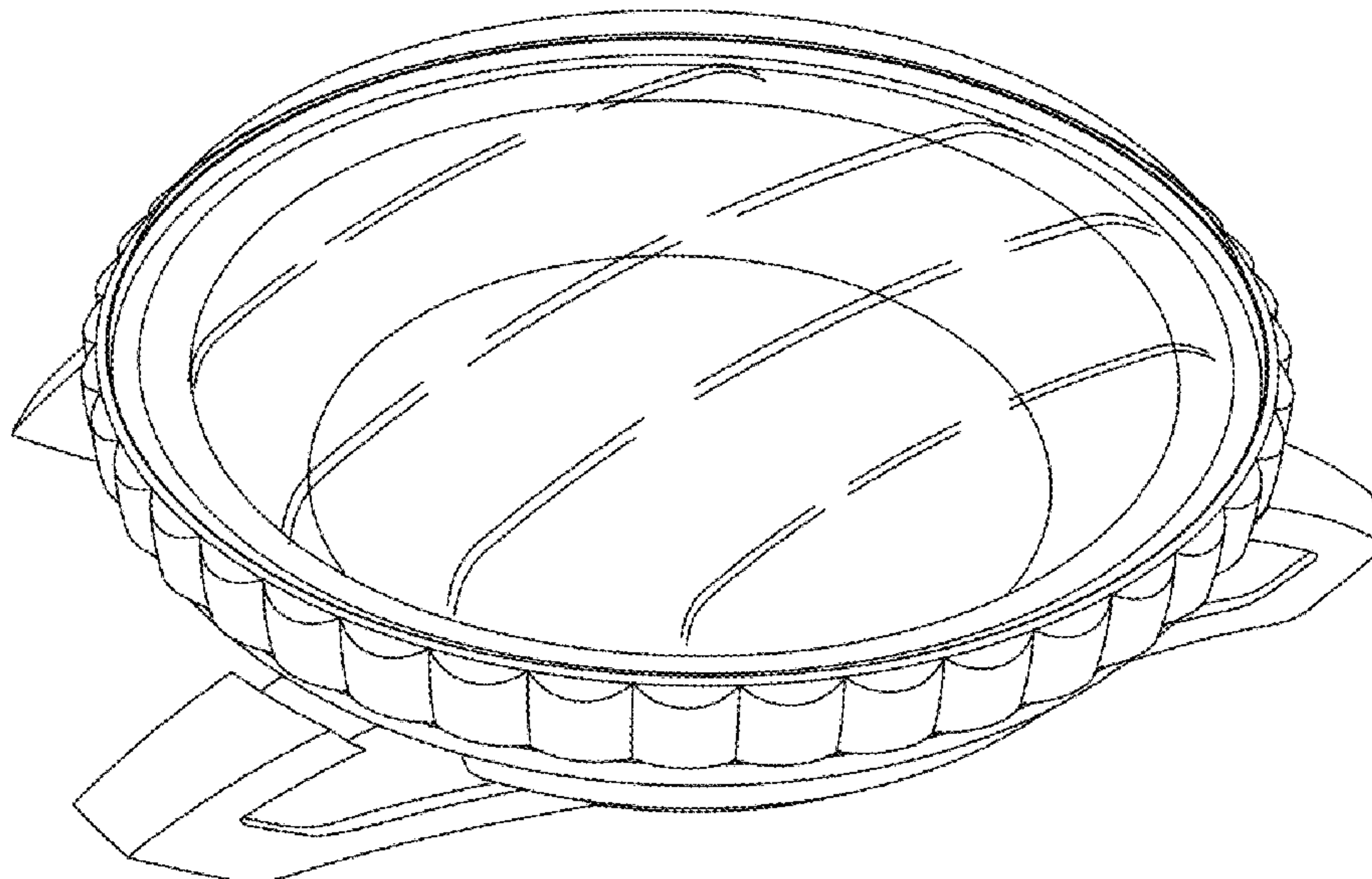
(57) **CLAIM**

The ornamental design for a watch case, as shown and described.

**DESCRIPTION**

FIG. 1 is a front elevational view of a watch case showing my new design;  
FIG. 2 is a rear elevational view thereof;  
FIG. 3 is a top plan view thereof;  
FIG. 4 is a right side elevational view thereof;  
FIG. 5 is a bottom plan view thereof;  
FIG. 6 is a left side elevational view thereof; and,  
FIG. 7 is a right front perspective view thereof.

**1 Claim, 1 Drawing Sheet**



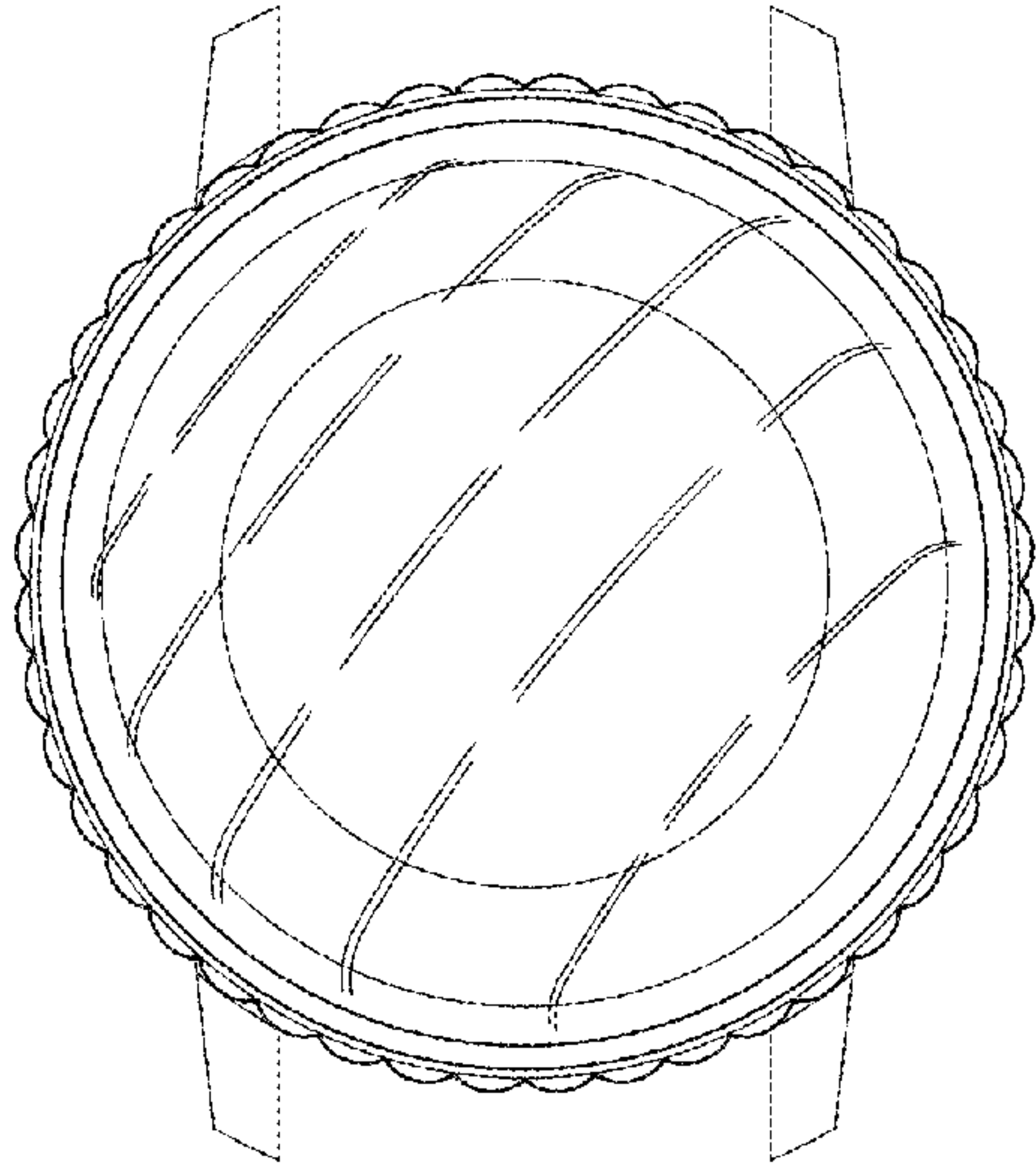


Fig. 1

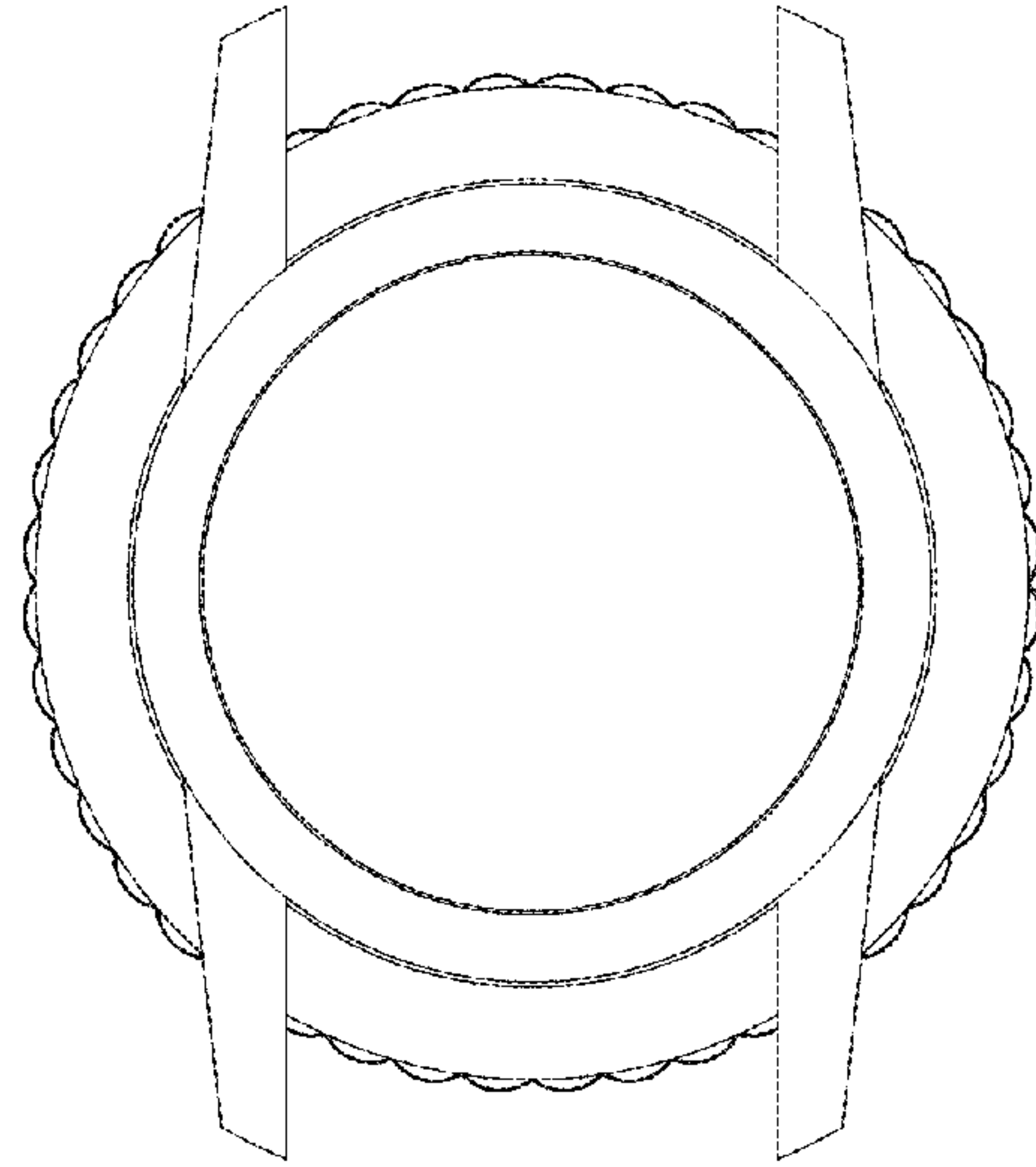


Fig. 2

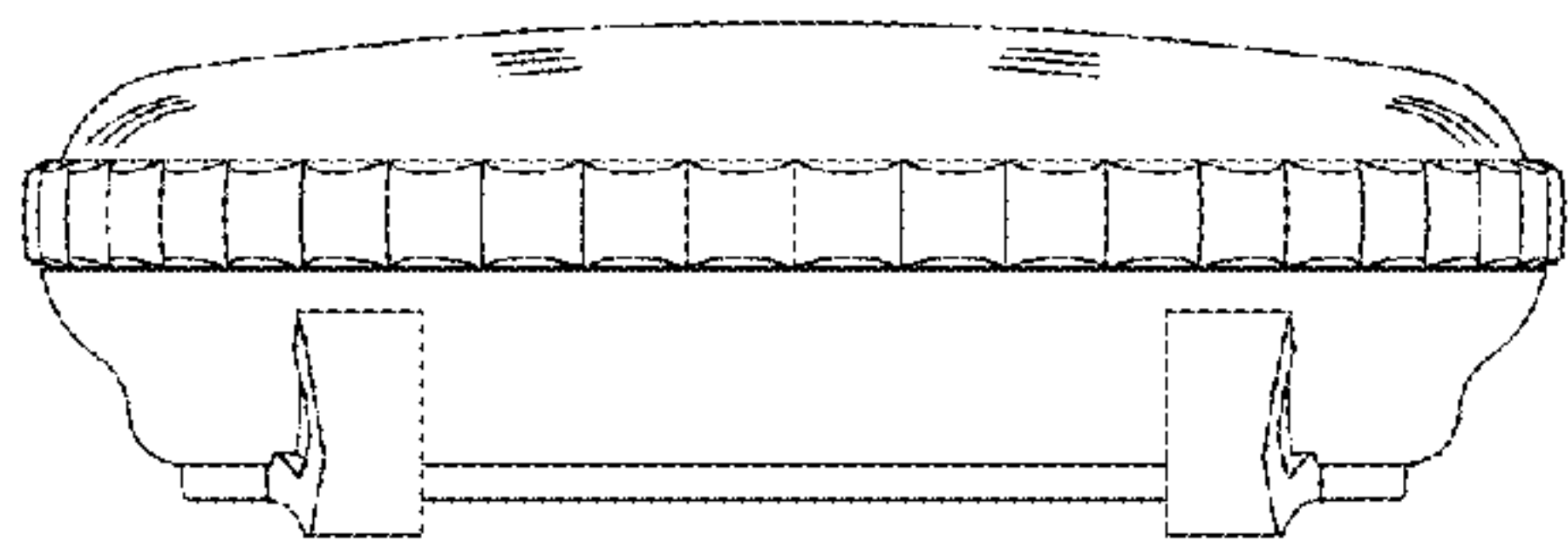


Fig. 3

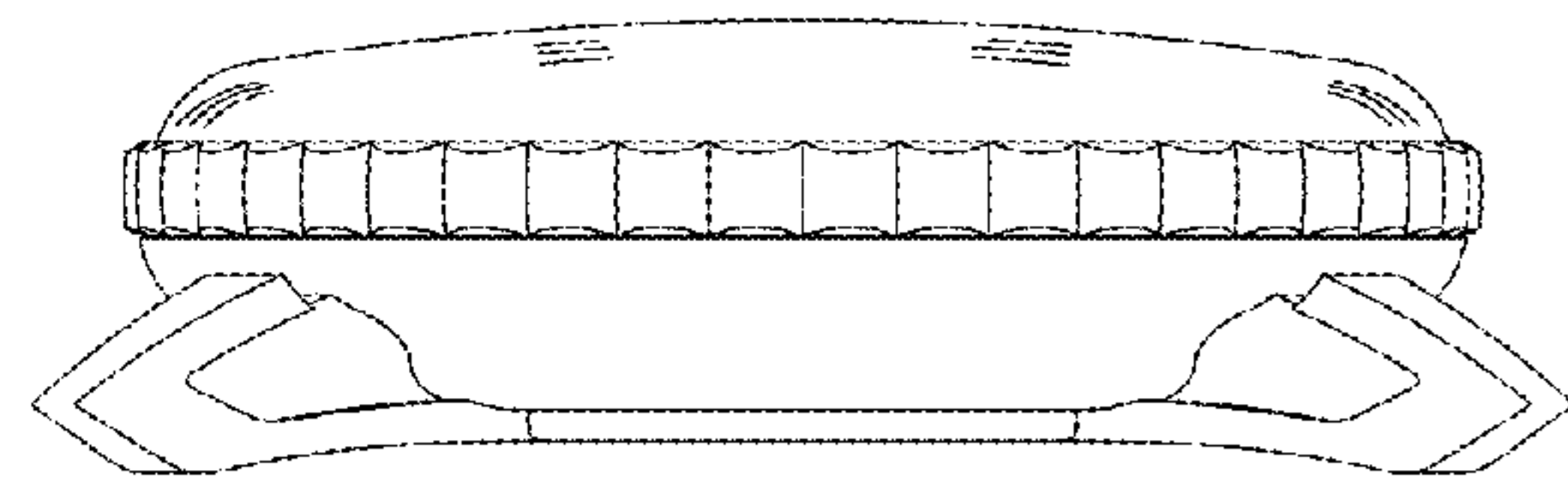


Fig. 4

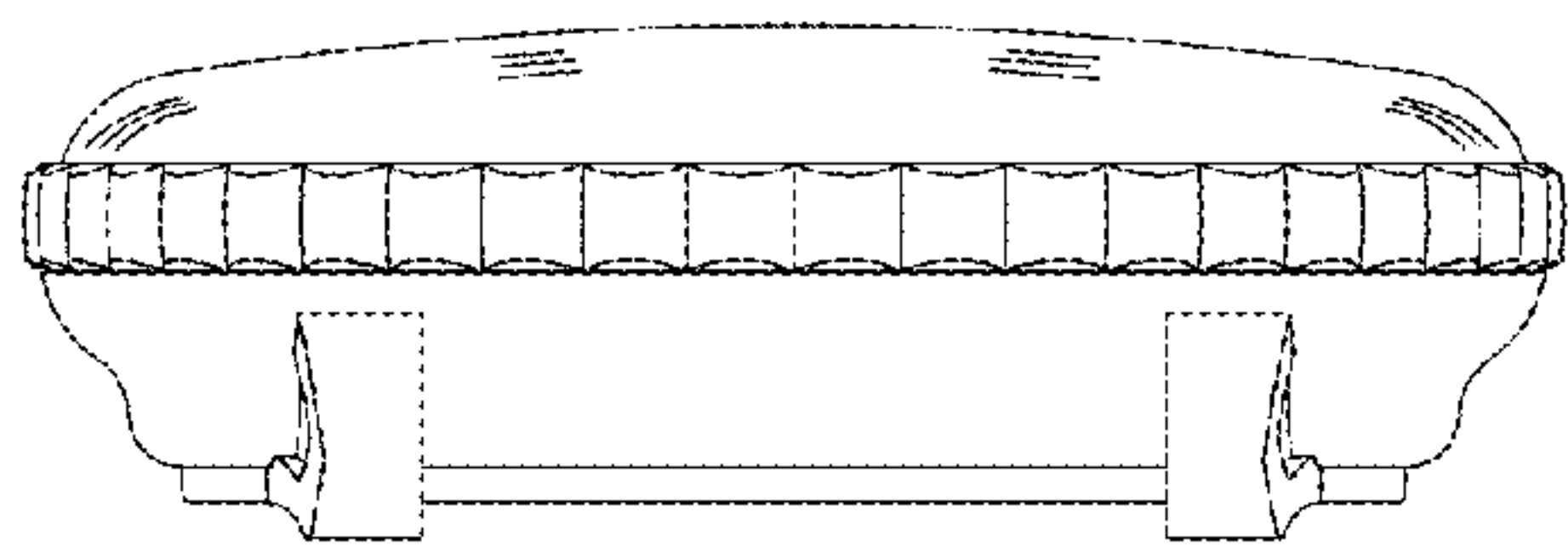


Fig. 5

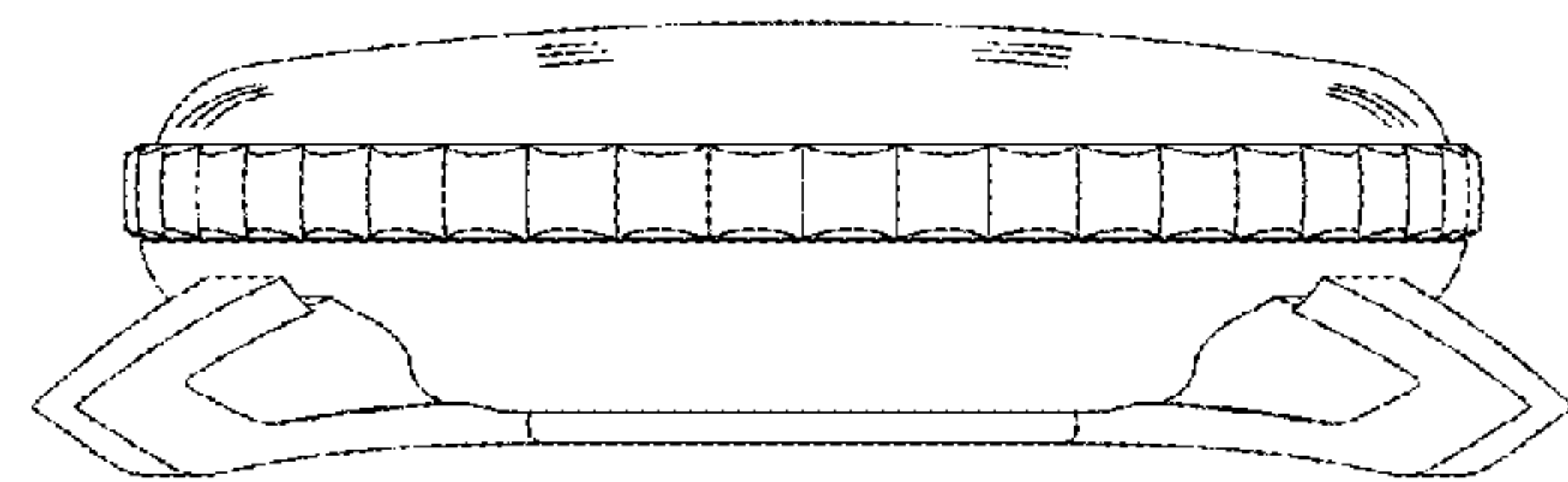


Fig. 6

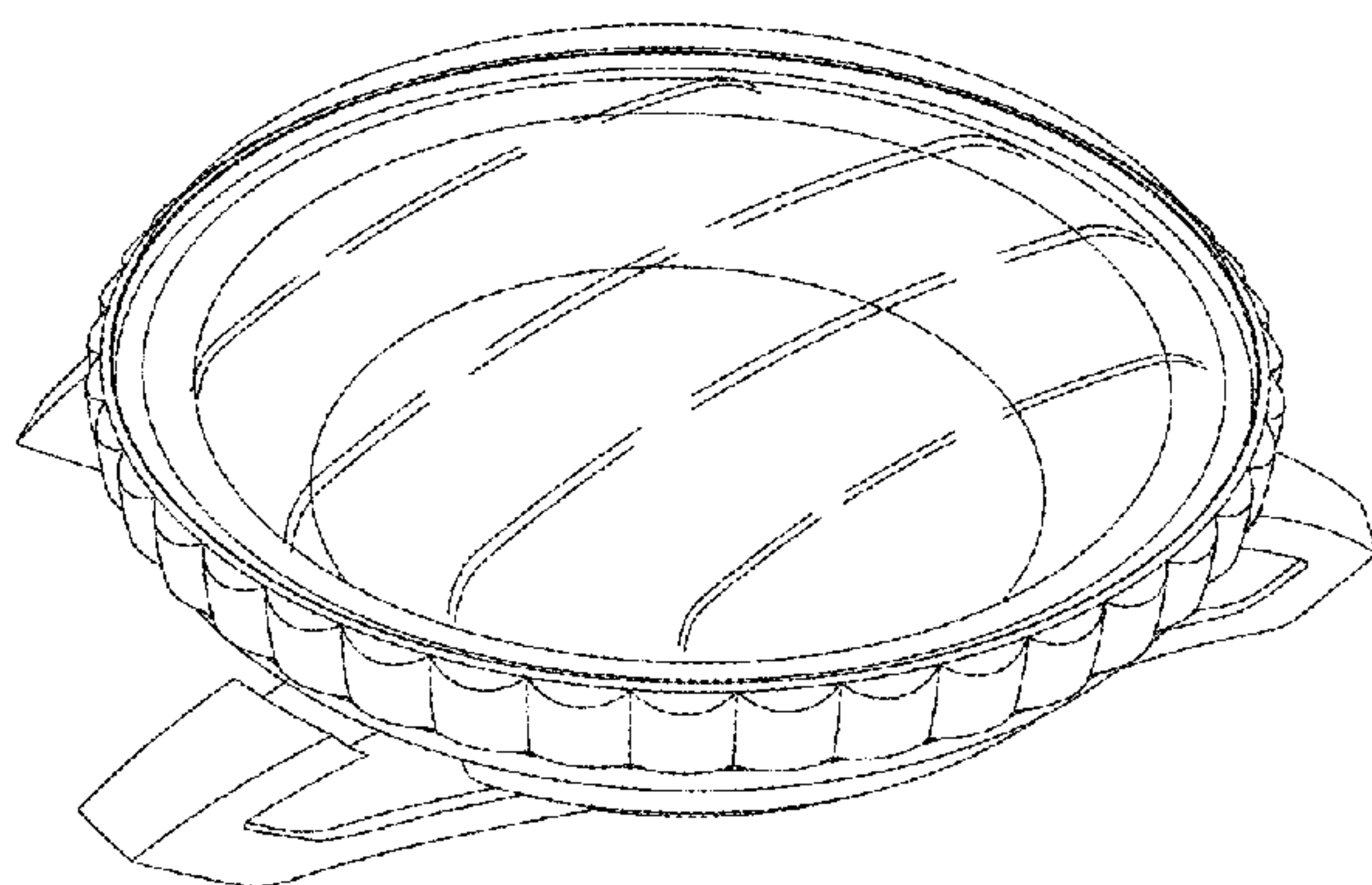


Fig. 7