



US00D748996S

(12) **United States Design Patent**
Bedol et al.

(10) **Patent No.:** **US D748,996 S**
(45) **Date of Patent:** **** Feb. 9, 2016**

(54) **WATCH**

(71) Applicants: **Mark A. Bedol**, Claremont, CA (US);
Robert Thompson, Baltimore, MD (US)

(72) Inventors: **Mark A. Bedol**, Claremont, CA (US);
Robert Thompson, Baltimore, MD (US)

(73) Assignee: **Mark Bedol**, Claremont, CA (US)

(**) Term: **14 Years**

(21) Appl. No.: **29/463,708**

(22) Filed: **Feb. 13, 2014**

(51) **LOC (10) Cl.** **10-02**

(52) **U.S. Cl.**
USPC **D10/32; D10/30**

(58) **Field of Classification Search**
USPC D10/30-39, 1-29, 122-132; D11/3;
D14/344, 138 R
CPC G04B 19/00; G04B 19/24; G04B 37/00;
G04B 37/0008; G04B 37/0058; G04B 37/086;
G04B 45/00; G04B 45/0069; G04C 17/00;
G04C 17/0091; G04G 9/00; G04G 9/0017;
G04G 9/12; G04G 17/00; G04G 17/08
See application file for complete search history.

(56) **References Cited**

U.S. PATENT DOCUMENTS

D48,268 S * 12/1915 Wachter D10/132
D339,530 S * 9/1993 Morishima D10/38

D349,061 S * 7/1994 Morishima D10/38
D355,376 S * 2/1995 Nakai D10/38
D355,380 S * 2/1995 Nakai D10/39
D412,122 S * 7/1999 Yamamoto D10/30
D447,960 S * 9/2001 Blauner et al. D10/30
D454,551 S * 3/2002 Bonadei et al. D14/138 R
6,634,786 B2 * 10/2003 Dinger et al. 368/283
D534,450 S * 1/2007 Muller D10/132
D554,542 S * 11/2007 Laucella et al. D10/39
D604,182 S * 11/2009 Berard D10/38
D605,531 S * 12/2009 Salmon D10/31

* cited by examiner

Primary Examiner — Martie K Holtje

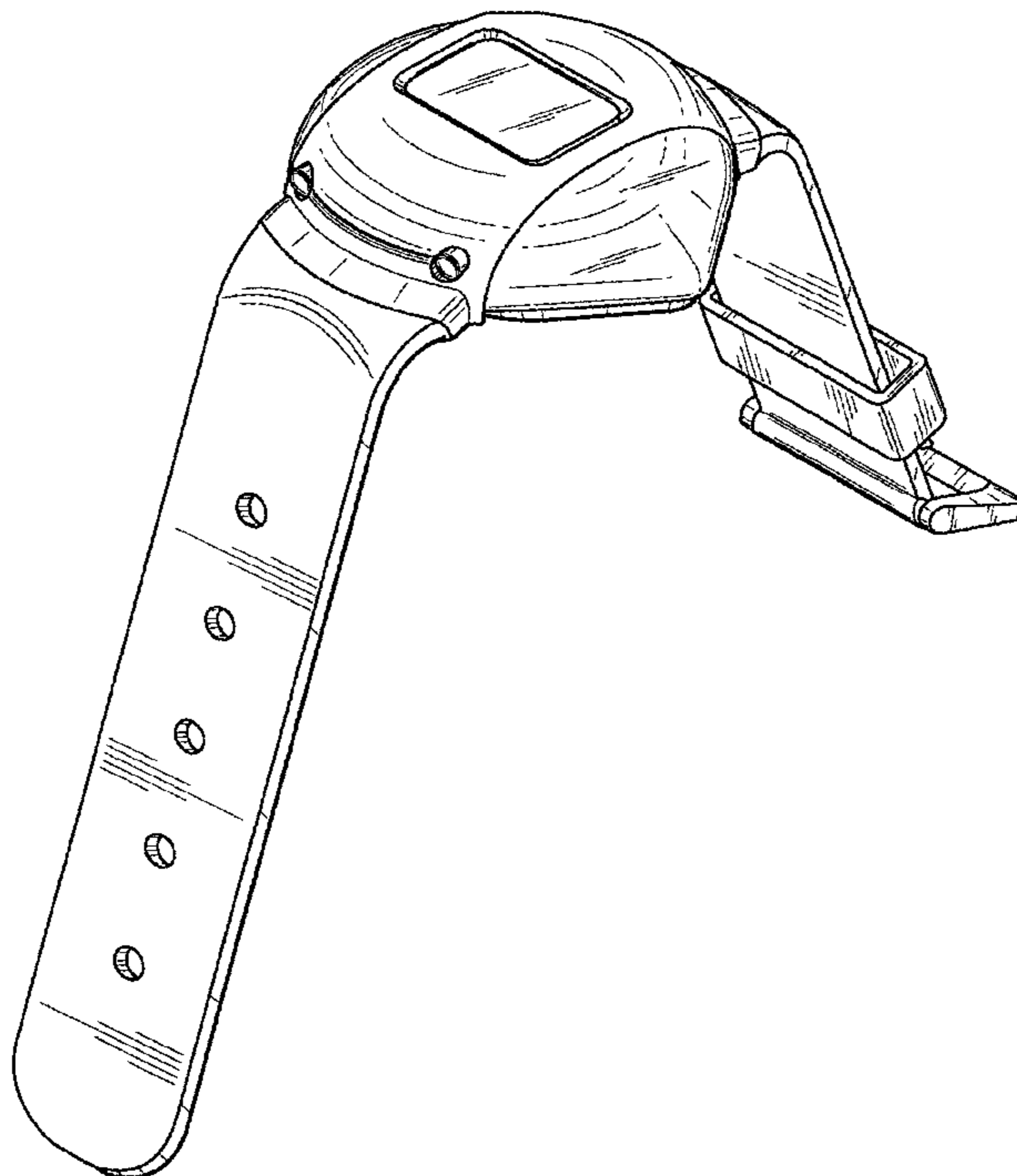
(57) **CLAIM**

We claim the ornamental design for a watch, as shown and described.

DESCRIPTION

FIG. 1 is a bottom, right front perspective view of a watch showing our new design;
FIG. 2 is a front elevational view thereof;
FIG. 3 is a rear elevational view thereof;
FIG. 4 is a right side elevational view thereof;
FIG. 5 is a left side elevational view thereof;
FIG. 6 is a bottom plan view thereof; and,
FIG. 7 is a top plan view thereof.
The structural features depicted by broken lines in FIG. 3 have been shown for the purpose of illustrating portions of the watch that form no part of the claimed design.

1 Claim, 7 Drawing Sheets



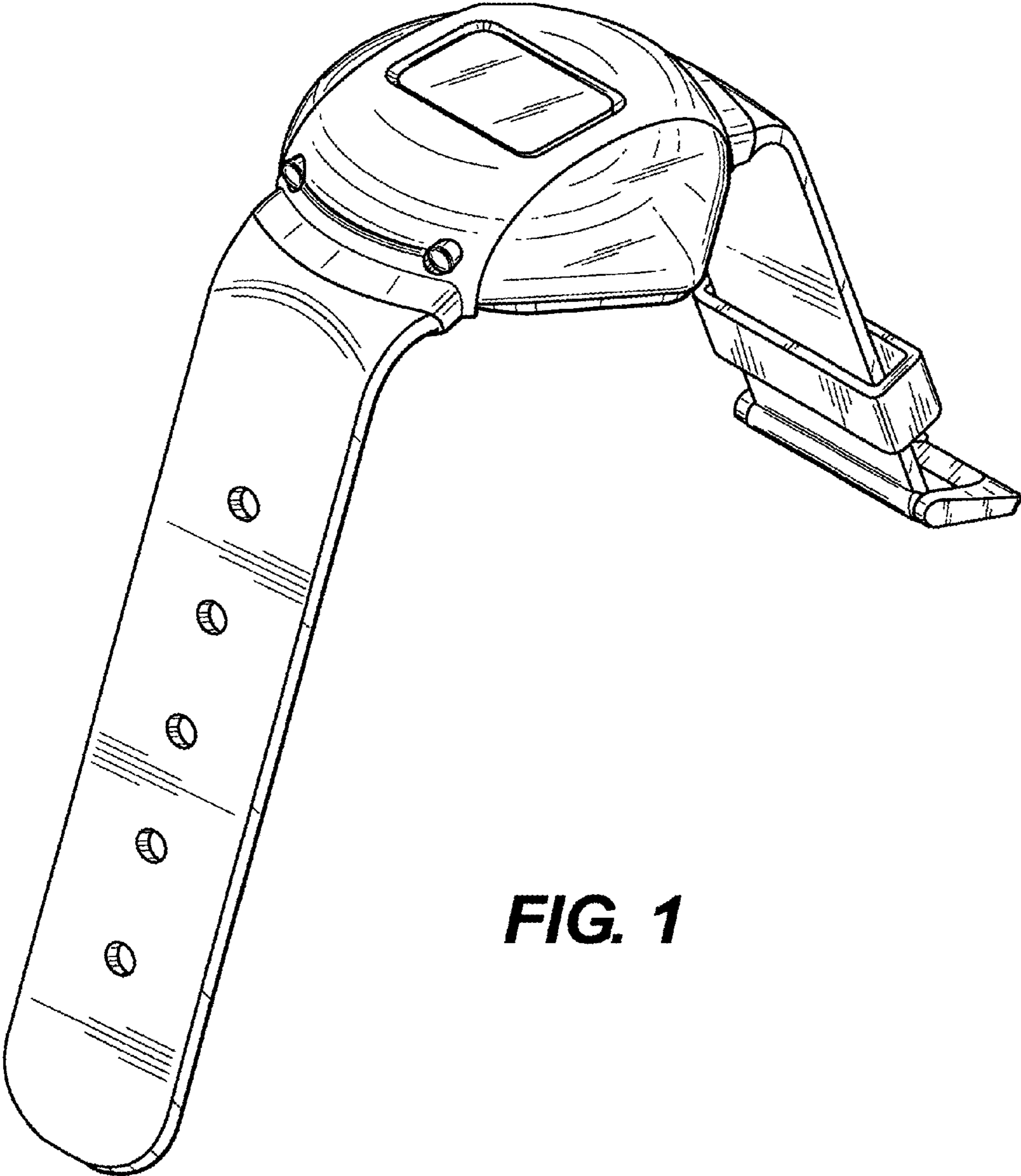


FIG. 1

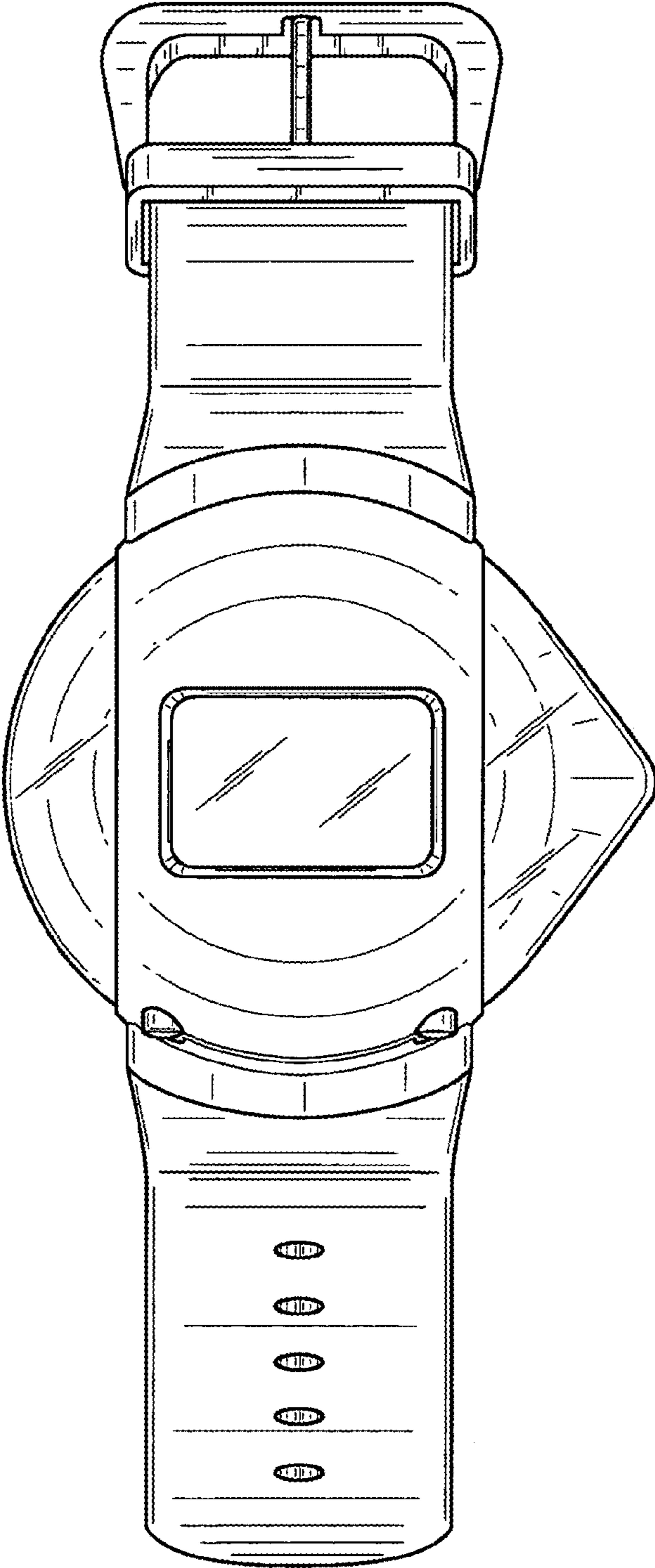


FIG. 2

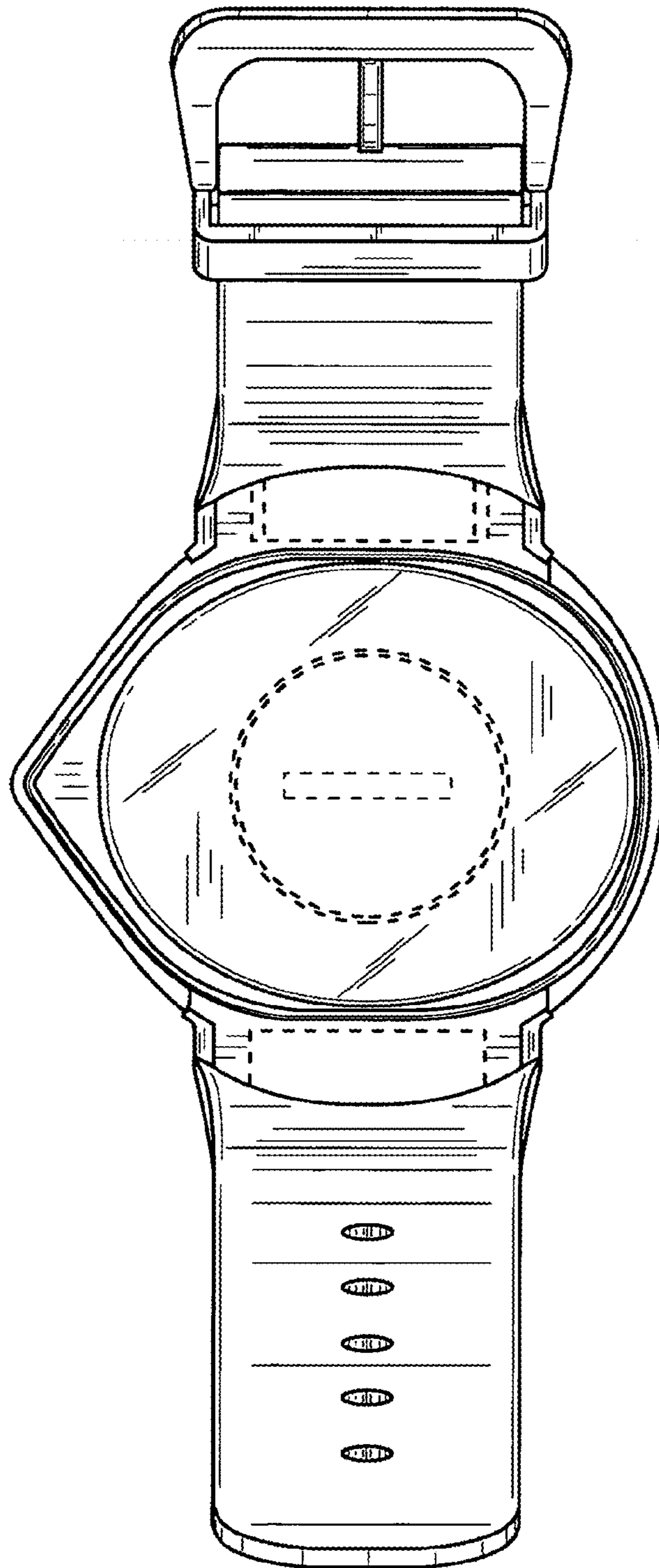


FIG. 3

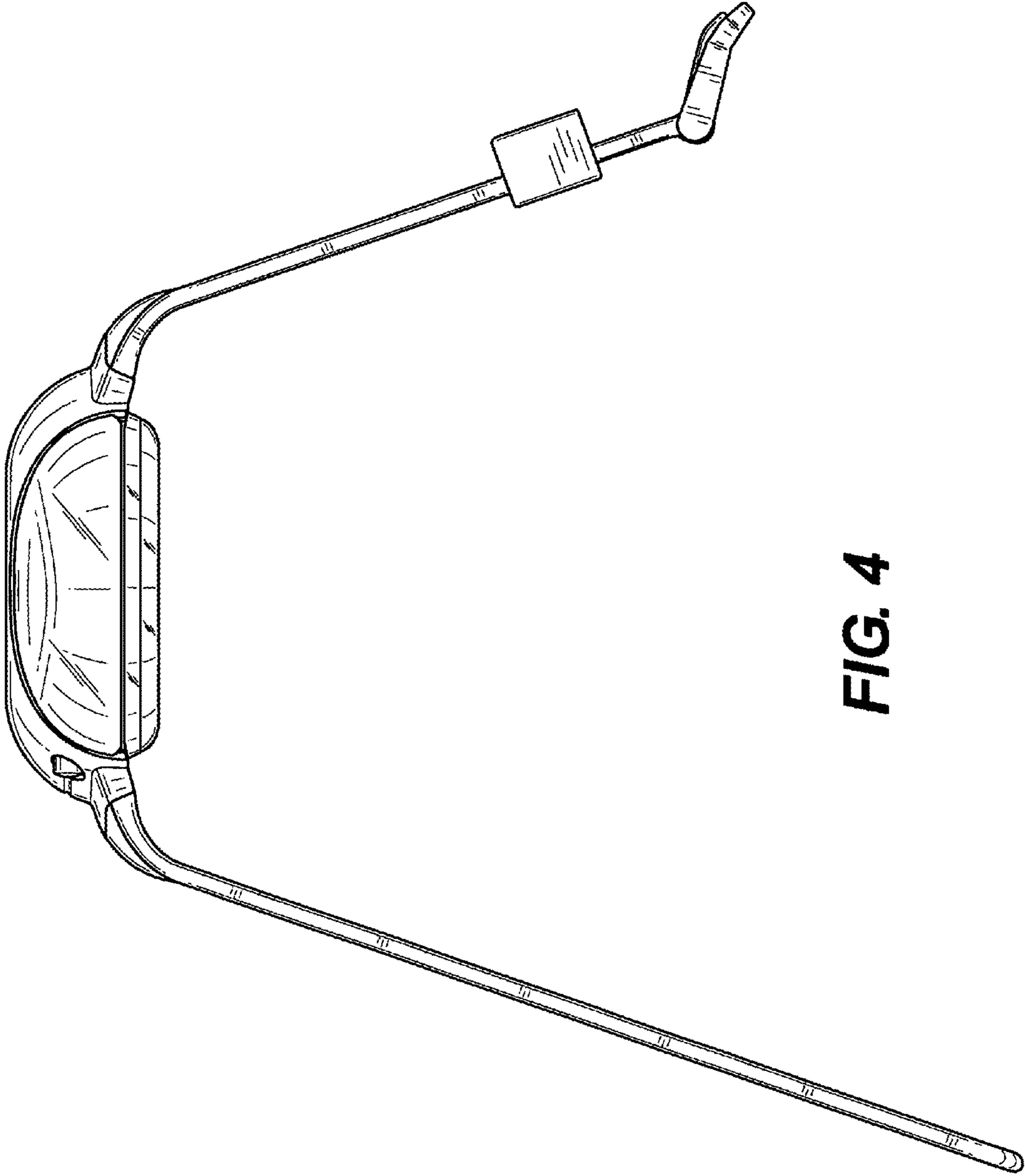


FIG. 4

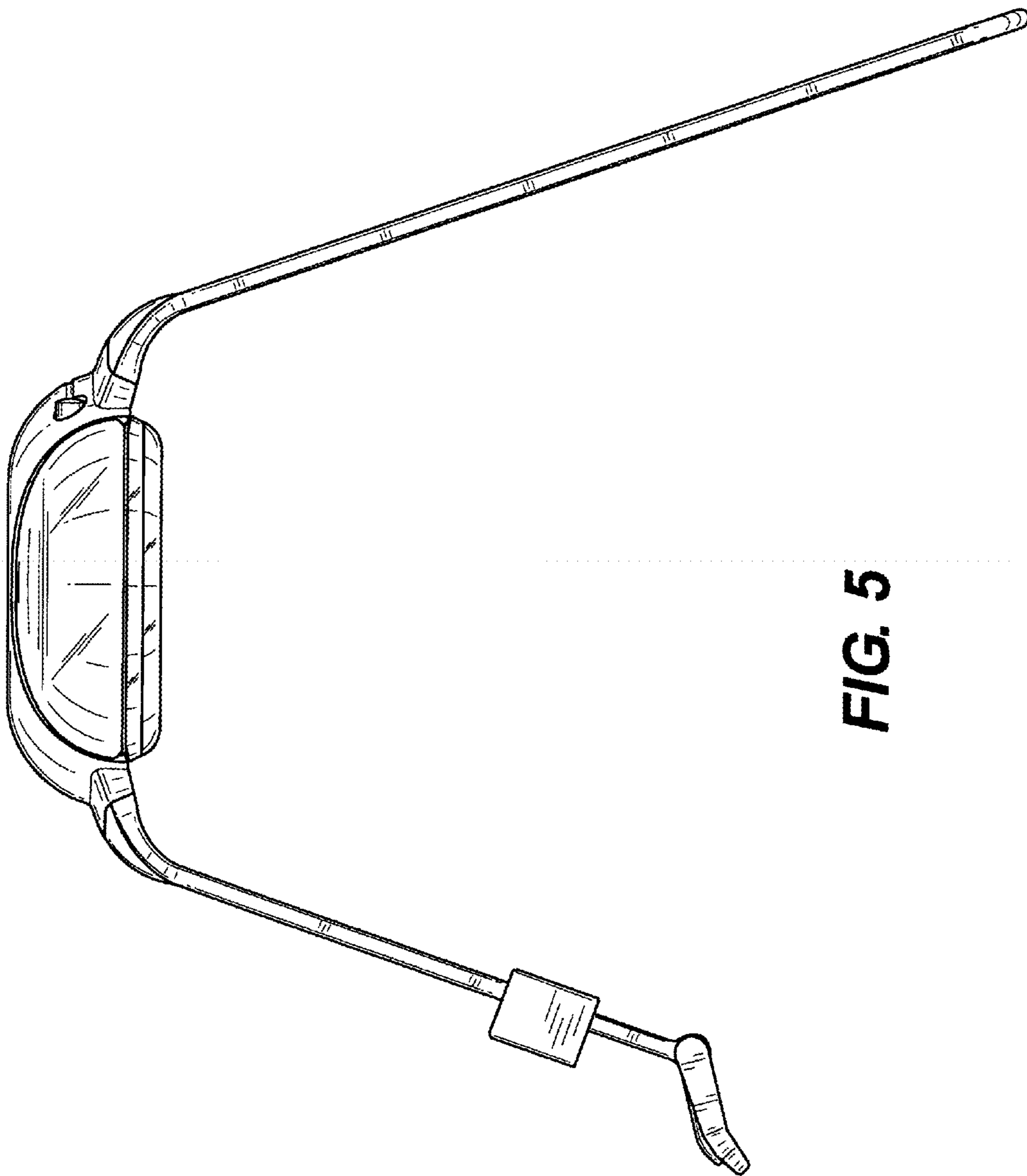


FIG. 5

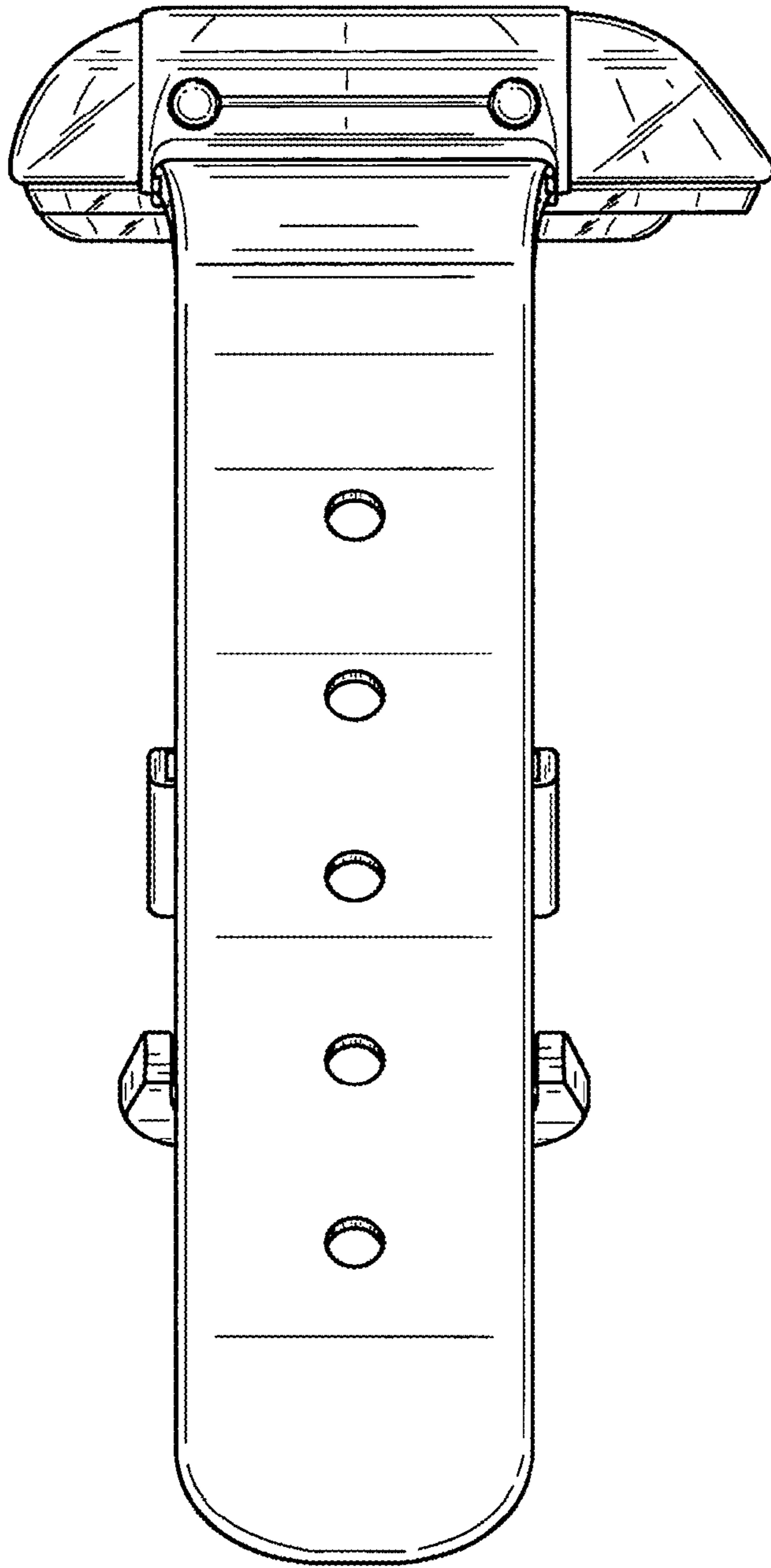


FIG. 6

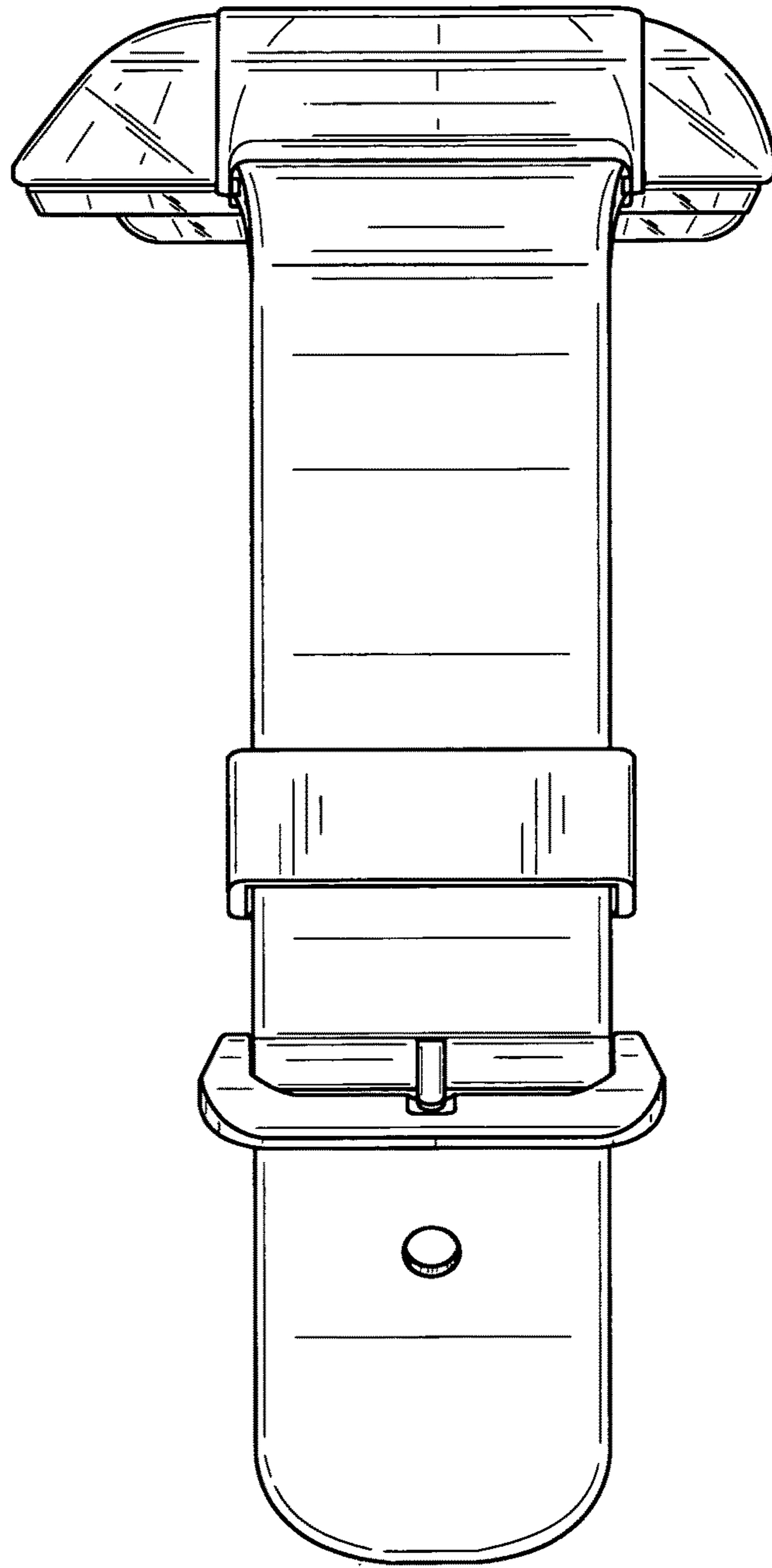


FIG. 7