



US00D748995S

(12) **United States Design Patent**  
**Babcock**

(10) **Patent No.:** **US D748,995 S**

(45) **Date of Patent:** **\*\* Feb. 9, 2016**

- (54) **WATCH**
- (71) Applicant: **Nixon Inc.**, Encinitas, CA (US)
- (72) Inventor: **Joseph Babcock**, Encinitas, CA (US)
- (\*\*) Term: **14 Years**
- (21) Appl. No.: **29/498,269**
- (22) Filed: **Aug. 1, 2014**
- (51) **LOC (10) Cl.** ..... **10-02**
- (52) **U.S. Cl.**  
USPC ..... **D10/30; D10/38**
- (58) **Field of Classification Search**  
USPC ..... D10/30-39, 1-29, 122-132  
CPC ..... G04B 37/00; G04B 37/0008; G04B  
37/0058; G04C 3/00; G04C 3/001; G04C  
3/002; G04G 9/06; G04G 9/107; G04G 9/00;  
G04G 9/0017; G04G 9/0058; G04G 9/04;  
G04G 17/00; G04G 17/08; G04G 21/00;  
G04G 21/08  
See application file for complete search history.

- 6,776,519 B2 \* 8/2004 Eleuterio ..... G04B 19/283  
368/295
- D533,470 S \* 12/2006 Krieger ..... D10/39
- D563,244 S \* 3/2008 Wei ..... D10/38
- D624,443 S \* 9/2010 Cerrato ..... D10/38
- 8,689,446 B2 \* 4/2014 Cataldo ..... G04B 37/22  
29/896.33
- 2013/0201804 A1 \* 8/2013 Bertrand ..... G04B 19/283  
368/281

\* cited by examiner

*Primary Examiner* — Martie K Holtje

(74) *Attorney, Agent, or Firm* — Cooley LLP

(57) **CLAIM**

The ornamental design for a watch, as shown and described.

**DESCRIPTION**

FIG. 1 is a left front perspective view of a watch showing my new design;  
 FIG. 2 is a right front perspective view thereof;  
 FIG. 3 is a right rear perspective view thereof;  
 FIG. 4 is a front elevational view thereof;  
 FIG. 5 is a rear elevational view thereof;  
 FIG. 6 is a left side elevational view thereof;  
 FIG. 7 is a right side elevational view thereof;  
 FIG. 8 is a top plan view thereof;  
 FIG. 9 is a bottom plan view thereof; and,  
 FIG. 10 is a second front elevational view thereof.

The features depicted by broken lines in the figures have been shown for the purpose of illustrating portions of the watch that form no part of the claimed design.

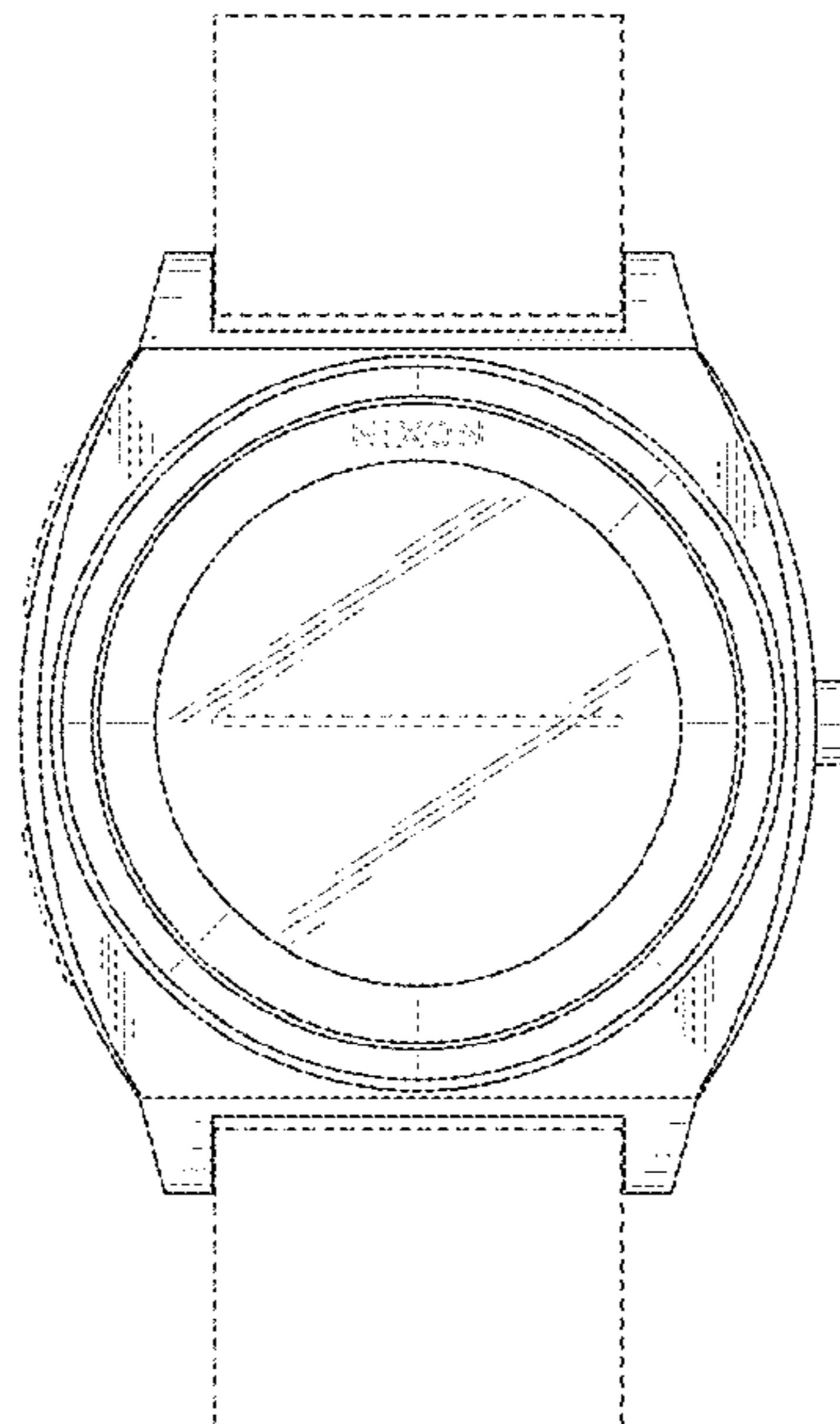
The strap portions depicted by broken lines have been shown for the purpose of illustrating environment that forms no part of the claimed design.

**1 Claim, 9 Drawing Sheets**

(56) **References Cited**

U.S. PATENT DOCUMENTS

- D78,487 S \* 5/1929 Schwab et al. .... D10/39
- D241,126 S \* 8/1976 Lawrence ..... D10/38
- D287,470 S \* 12/1986 Houlihan ..... D10/30
- 5,086,418 A \* 2/1992 Marcus ..... A44C 5/0053  
224/167
- D386,696 S \* 11/1997 Walch ..... D10/34
- D394,214 S \* 5/1998 Sang ..... D10/30
- D394,817 S \* 6/1998 Roales ..... D10/30
- D399,759 S \* 10/1998 Kennedy ..... D10/30
- D410,199 S \* 5/1999 Calvani ..... D10/30



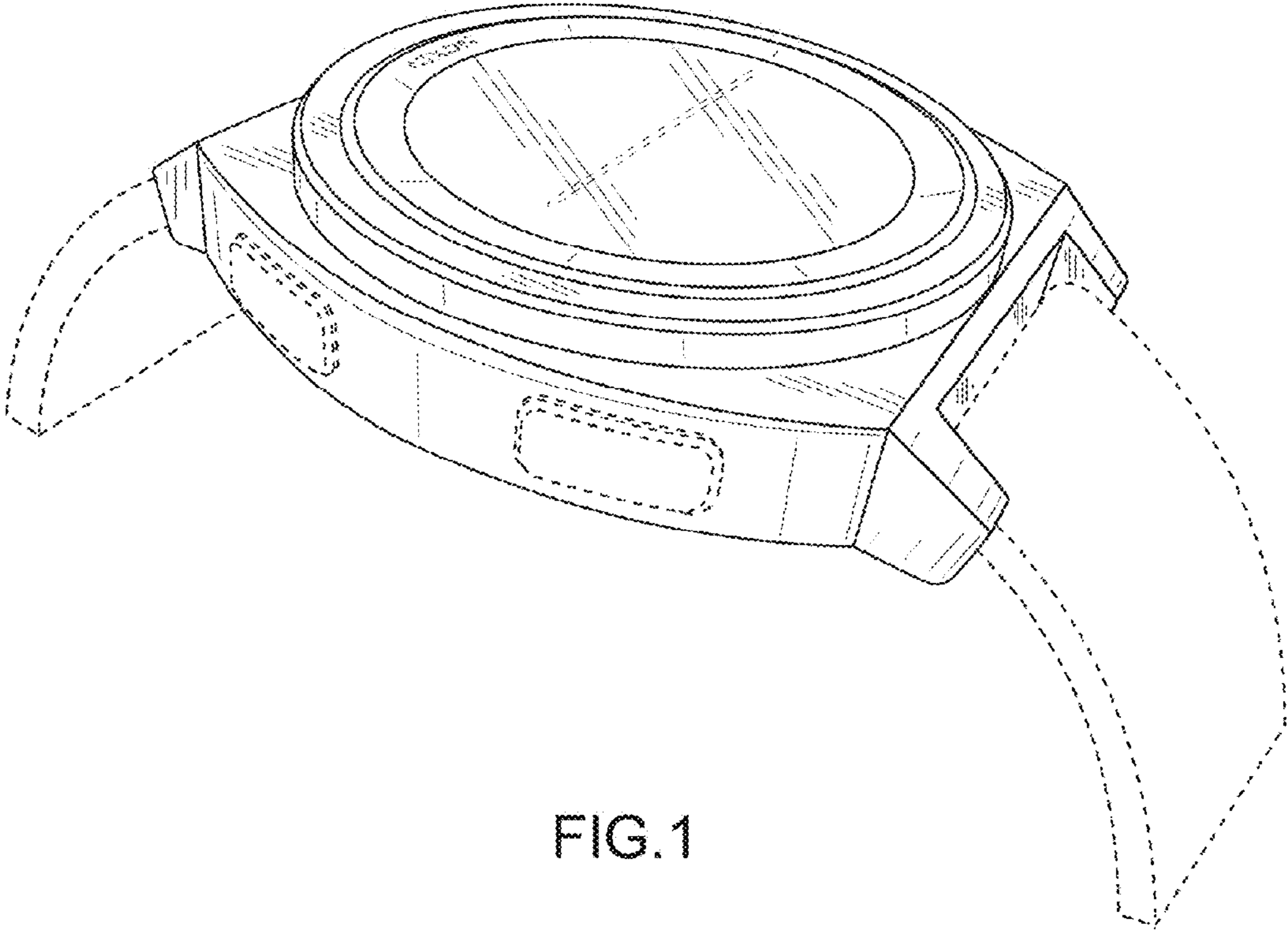


FIG.1

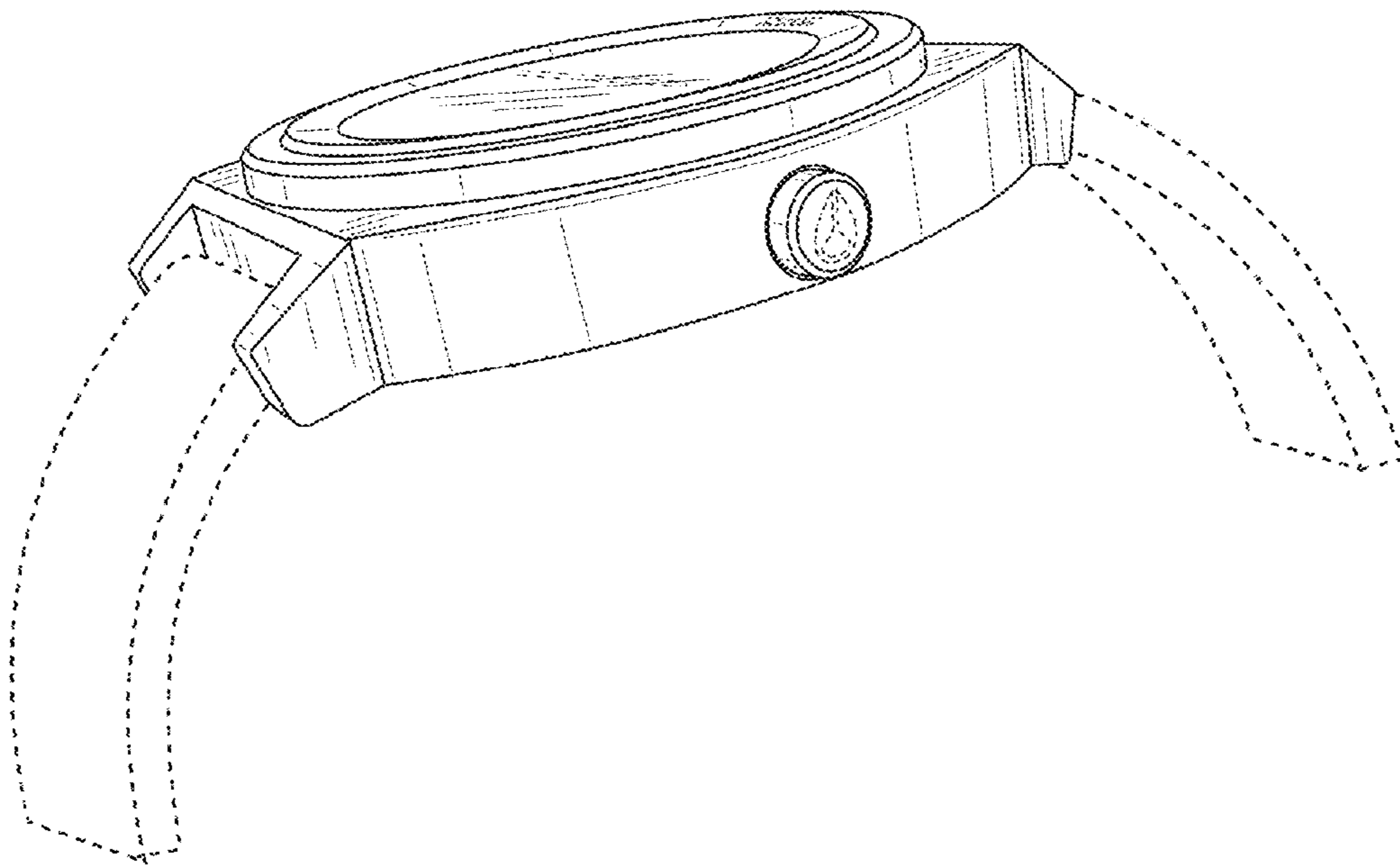


FIG. 2

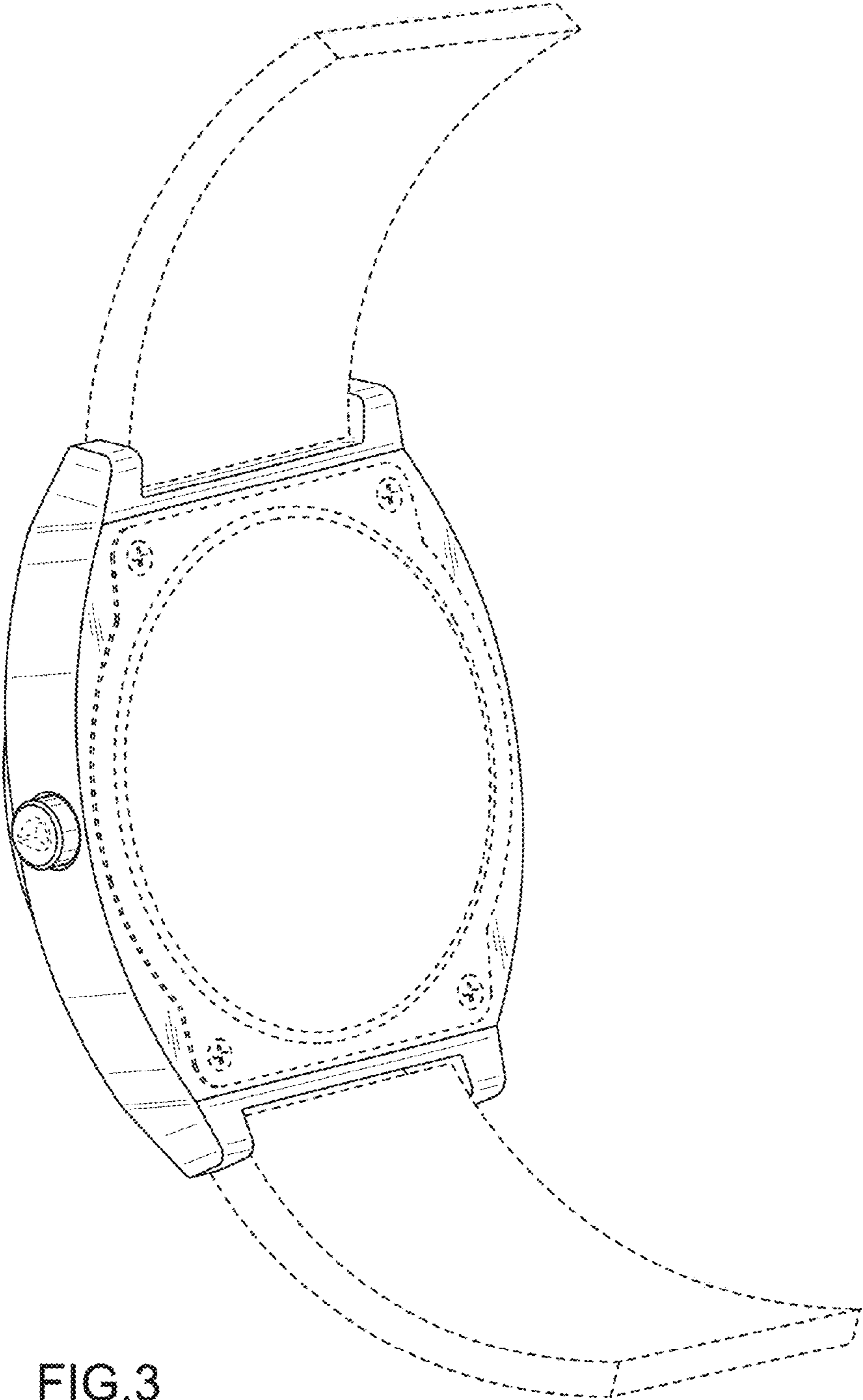


FIG. 3

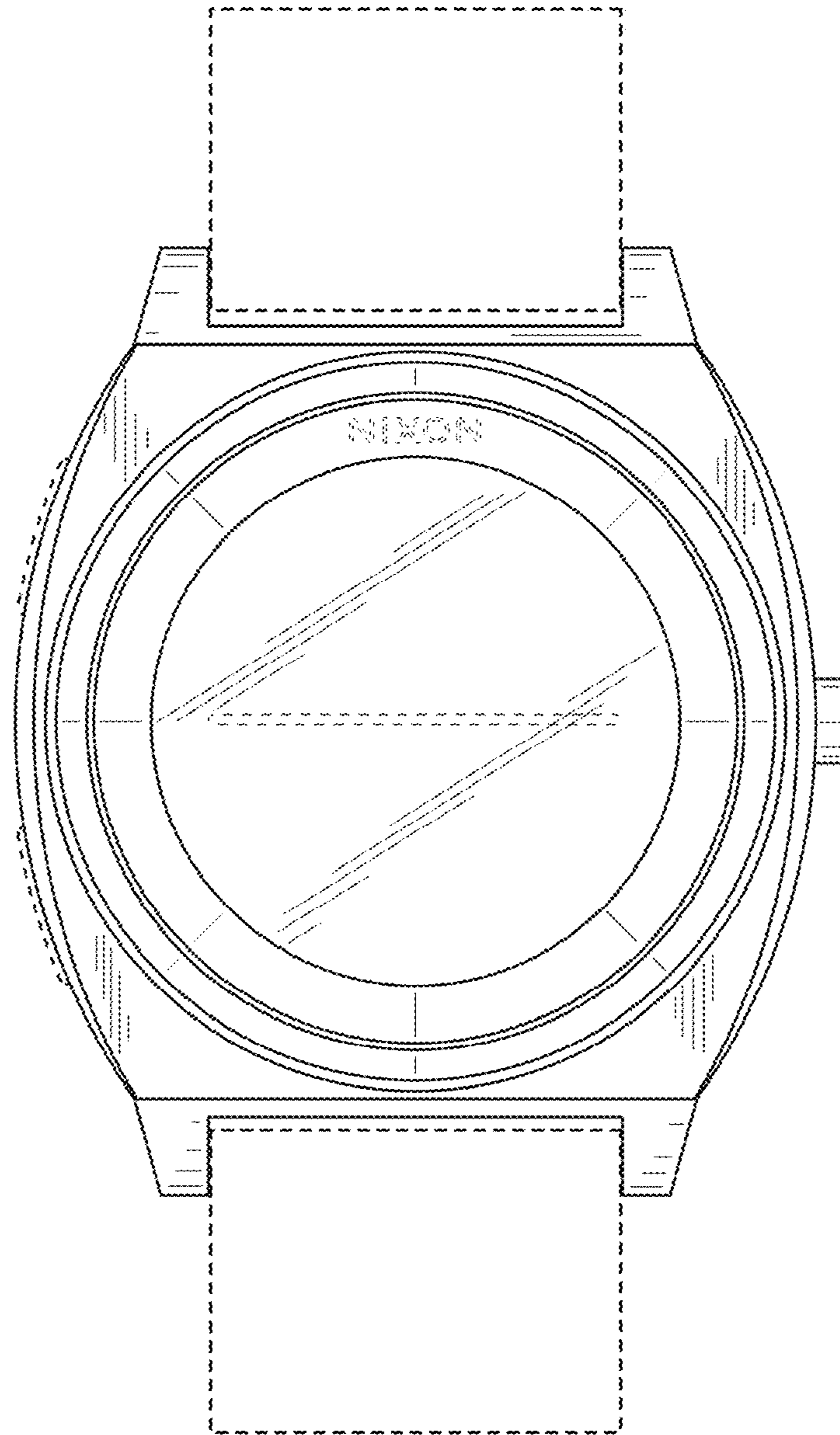


FIG.4





FIG.5

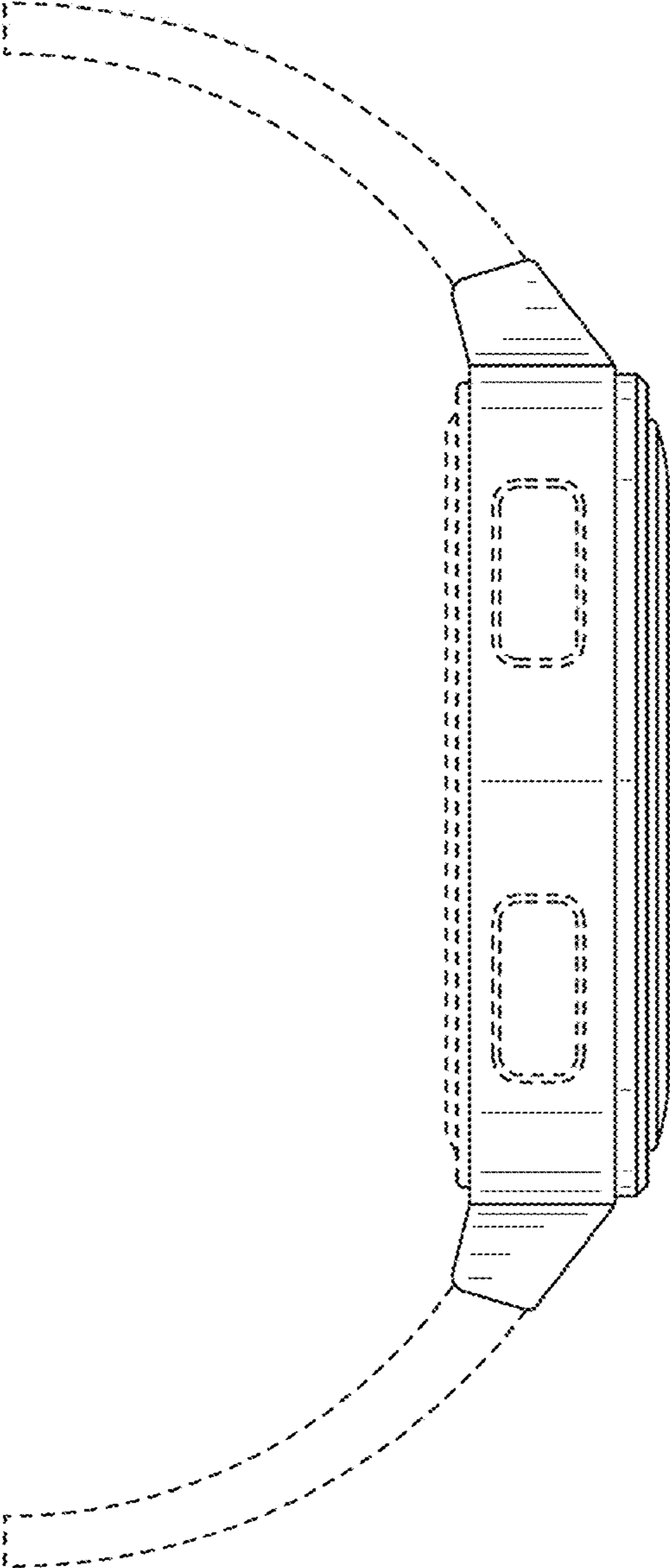


FIG.6

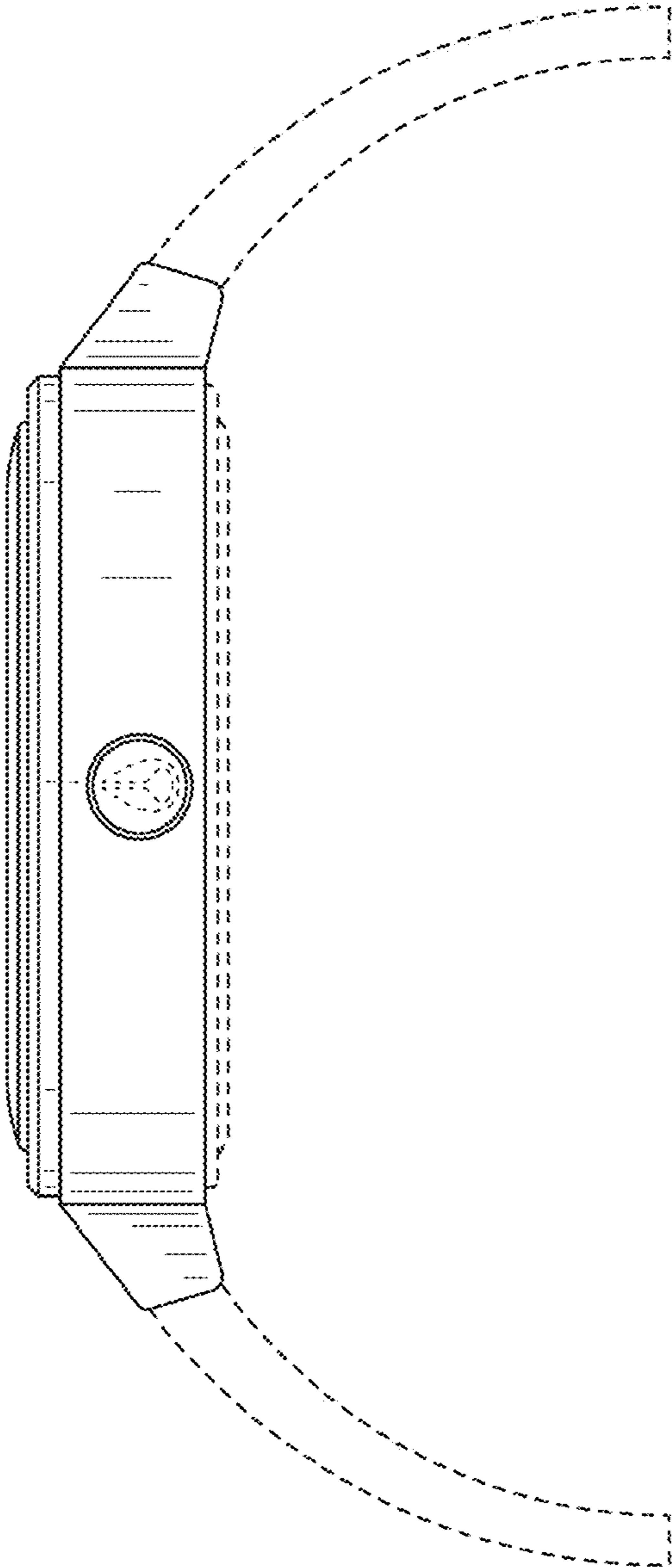


FIG.7



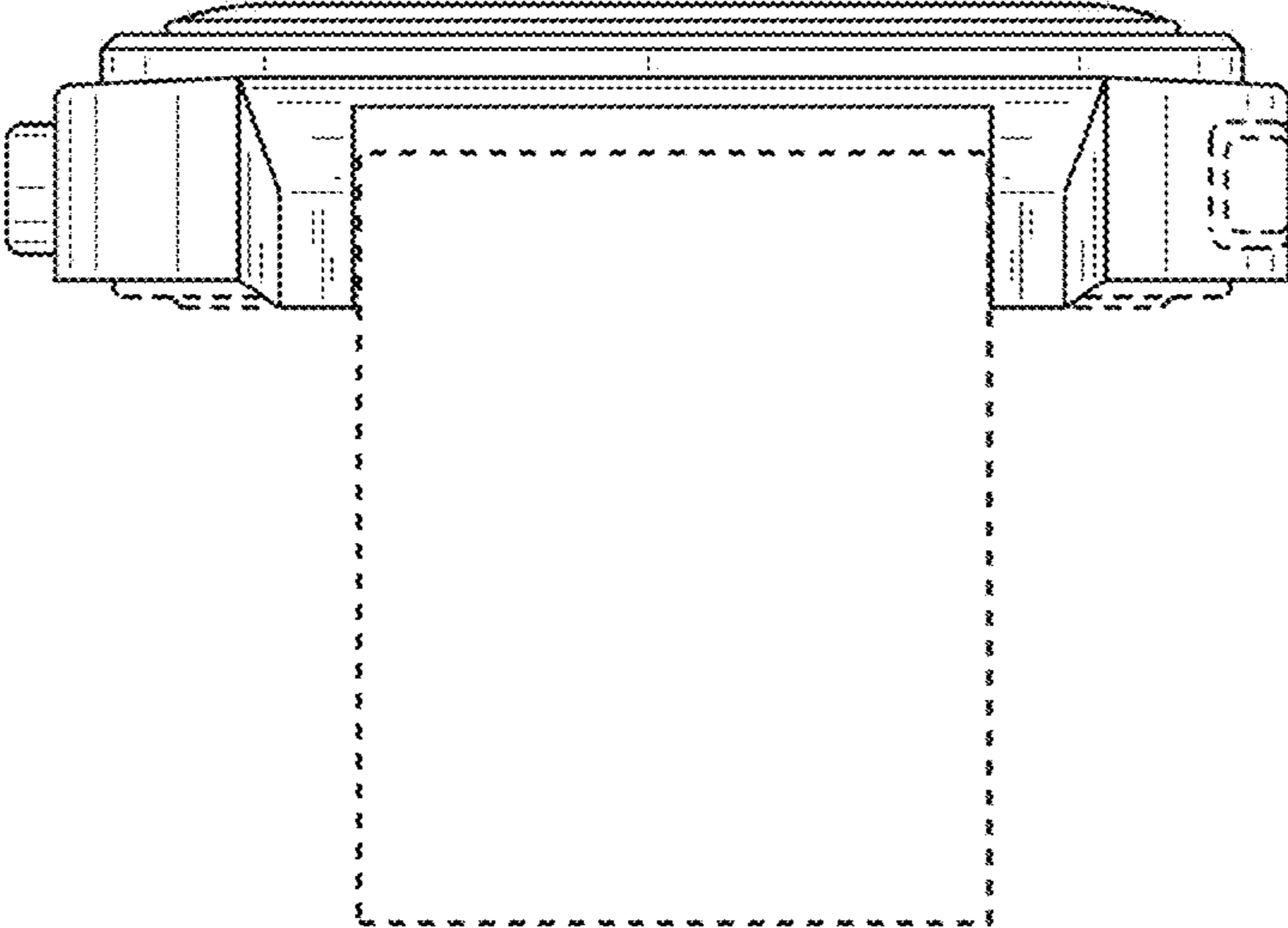


FIG.8

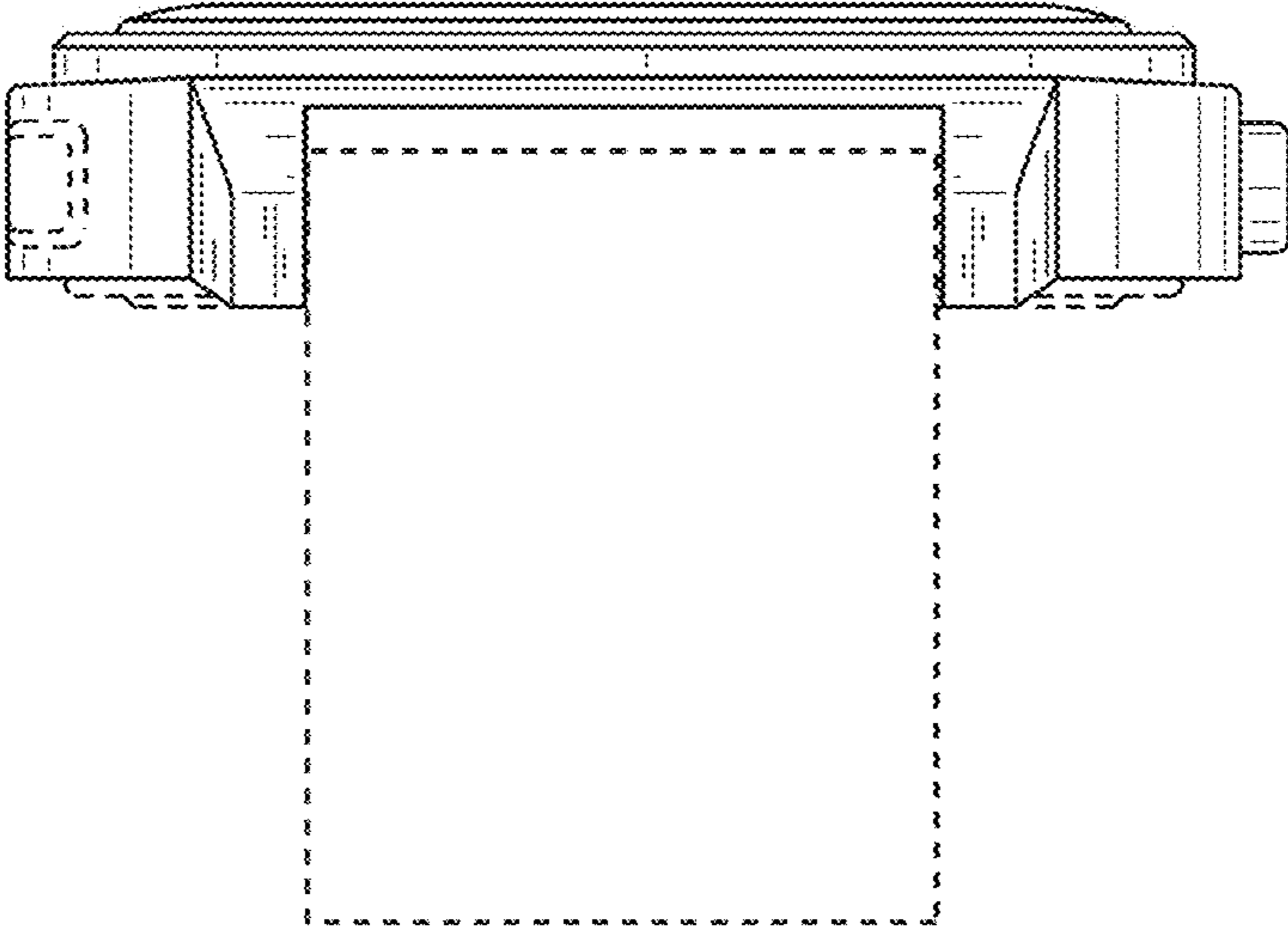


FIG.9

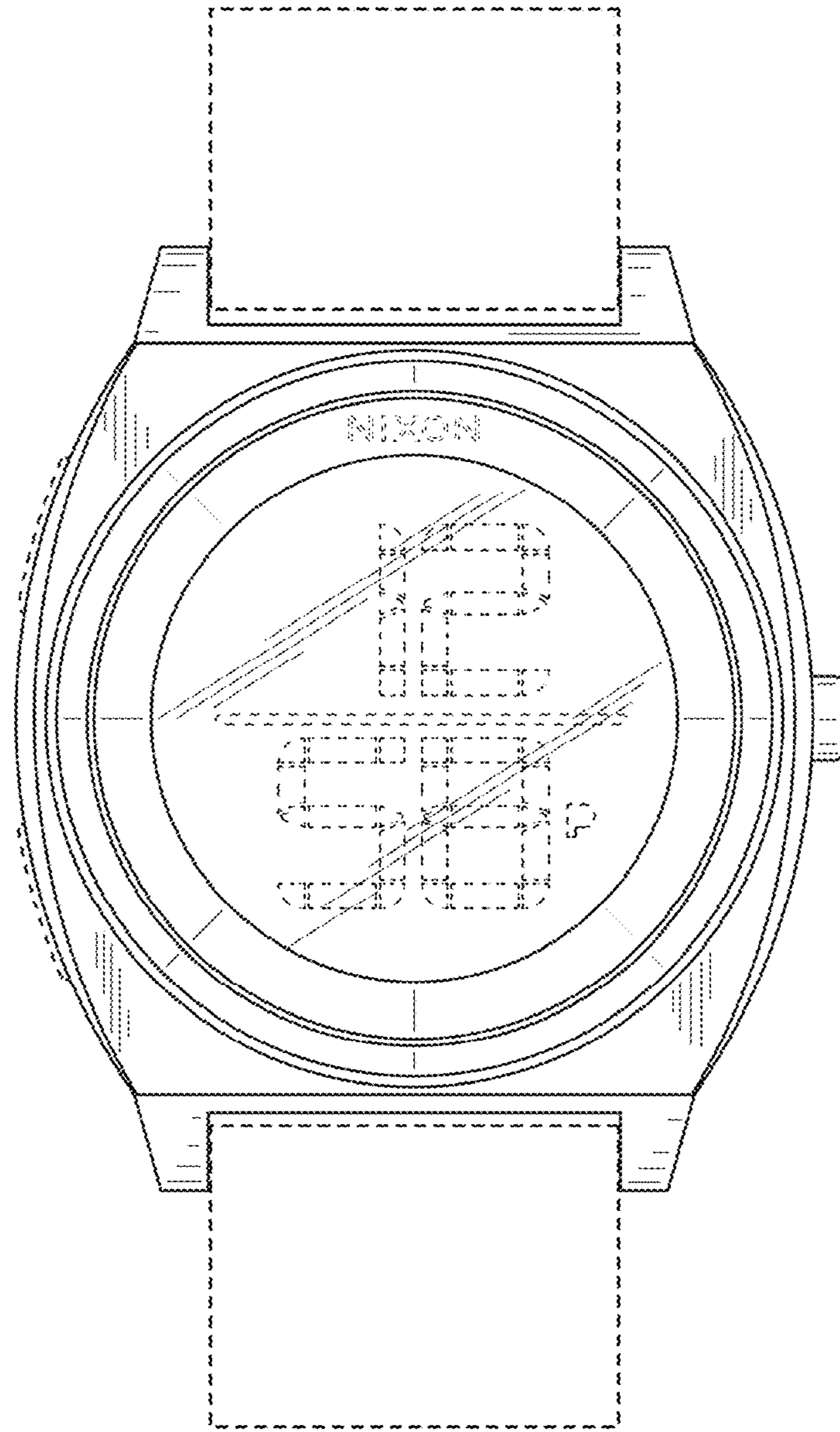


FIG. 10