



US00D748991S

(12) **United States Design Patent**  
**Cerrato**

(10) **Patent No.:** **US D748,991 S**  
(45) **Date of Patent:** **\*\* Feb. 9, 2016**

(54) **CONTAINER**

(71) Applicant: **Kraft Foods Group Brands LLC**,  
Northfield, IL (US)

(72) Inventor: **Nicole Cerrato**, Chicago, IL (US)

(73) Assignee: **Kraft Foods Group Brands LLC**,  
Northfield, IL (US)

(\*\*) Term: **14 Years**

(21) Appl. No.: **29/448,790**

(22) Filed: **Mar. 13, 2013**

(51) **LOC (10) Cl.** ..... **09-03**

(52) **U.S. Cl.**  
USPC ..... **D9/737**

(58) **Field of Classification Search**

USPC ..... D9/737, 748, 749, 754, 755, 756-758,  
D9/760, 761, 700, 686, 688, 689, 549, 390,  
D9/414, 424, 425, 430, 431, 432, 434, 435,  
D9/454, 456, 499; D3/304, 318, 326, 901;  
D24/231; D28/73, 91.1; 206/216-217,  
206/368, 438, 63.5, 527, 572; D7/509, 513,  
D7/550.1, 553.1, 553.5, 553.6, 554.1,  
D7/554.2, 629; D34/1, 10; 220/4.01, 4.04,  
220/4.05, 4.06, 4.07, 4.21, 4.24, 4.25, 500,  
220/503, 507, 528, 553, 890; 229/120.15;  
215/6, 386-387, 400  
CPC ..... B65D 1/34; B65D 81/3813; B65D 5/48;  
B65D 5/48024; B65D 5/5069; B65D 5/0209;  
B65D 5/3621; B65D 25/00; B65D 25/04;  
B65D 25/06; B65D 25/20; B65D 77/24;  
B65D 77/0433; B65D 81/3862

See application file for complete search history.

(56) **References Cited**

**U.S. PATENT DOCUMENTS**

387,095 A \* 7/1888 McPherson ..... 217/7  
D23,682 S \* 10/1894 Ingalls ..... D7/509

(Continued)

**FOREIGN PATENT DOCUMENTS**

KR 30-0491472 6/2008

**OTHER PUBLICATIONS**

Junk Food Throwdown! Hershey's Spreads Snacksters Vs. Nutella & Go!. Popchix.com [online] 7 pages. Uploaded May 30, 2014 [retrieved on Mar. 12, 2015]. Retrieved from Internet < http://www.popchix.com/life/life-review-2013/junk-food-throwdown-hersheys-spreads-snacksters-vs.-nutella-go.\*

(Continued)

*Primary Examiner* — Susan Bennett Hattan

*Assistant Examiner* — Marie Fast Horse

(74) *Attorney, Agent, or Firm* — Foley & Lardner LLP

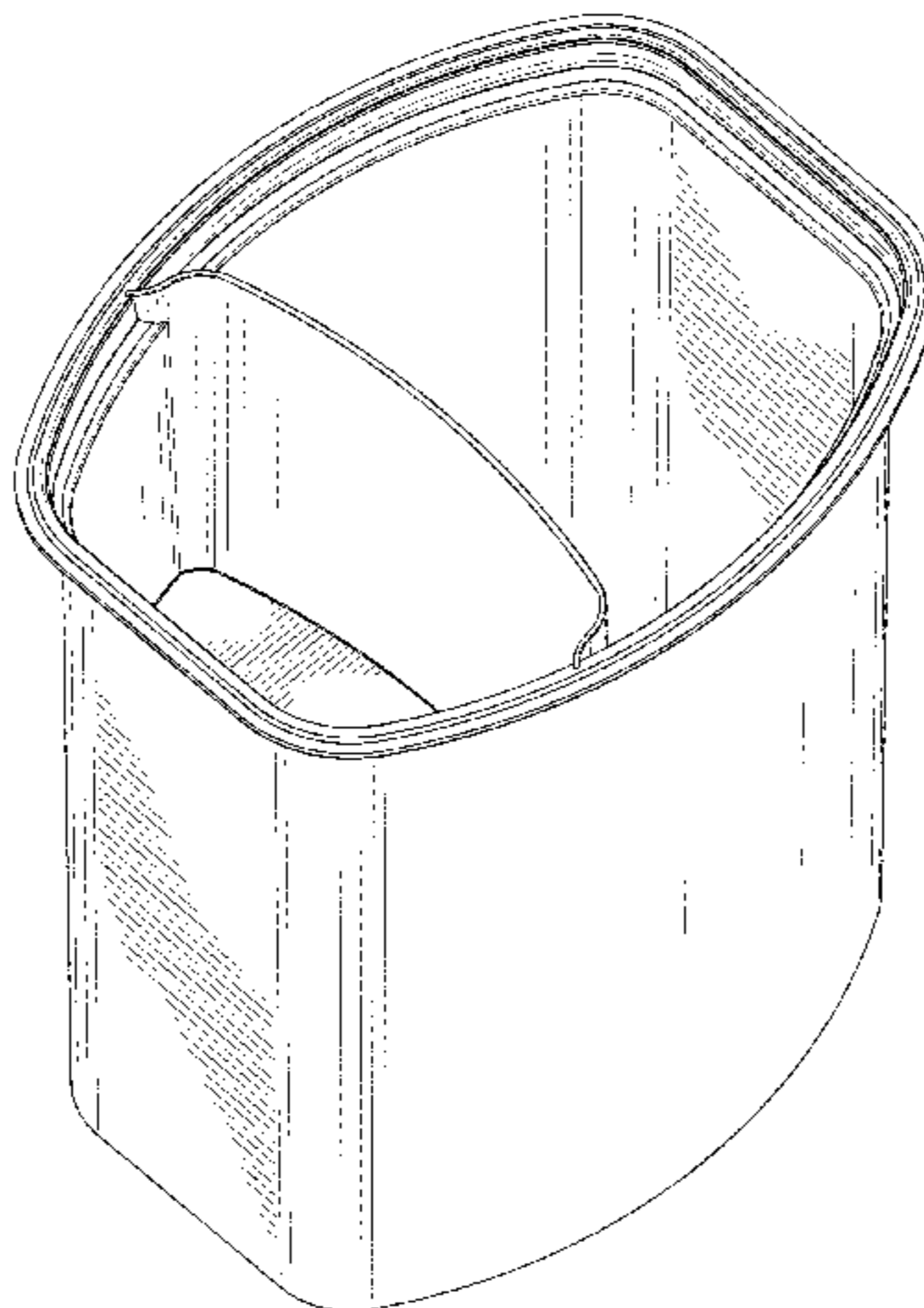
(57) **CLAIM**

I claim the ornamental design for a container, as shown and described.

**DESCRIPTION**

FIG. 1 is a front perspective view of an embodiment of the claimed design;  
FIG. 2 is a right side view of the claimed design of FIG. 1;  
FIG. 3 is a left side view of the claimed design of FIG. 1;  
FIG. 4 is a back view of the claimed design of FIG. 1;  
FIG. 5 is a front view of the claimed design of FIG. 1;  
FIG. 6 is a top view of the claimed design of FIG. 1;  
FIG. 7 is a bottom view of the claimed design of FIG. 1;  
FIG. 8 is a cross-sectional elevation bottom view of the claimed design of FIG. 1, taken along line 8-8 in FIG. 6;  
FIG. 9 is a front perspective view of another embodiment of the claimed design;  
FIG. 10 is a right side view of the claimed design of FIG. 9;  
FIG. 11 is a left side view of the claimed design of FIG. 9;  
FIG. 12 is a back view of the claimed design of FIG. 9;  
FIG. 13 is a front view of the claimed design of FIG. 9;  
FIG. 14 is a top view of the claimed design of FIG. 9;  
FIG. 15 is a bottom view of the claimed design of FIG. 9; and,  
FIG. 16 is a cross-sectional elevation view of the claimed design of FIG. 9, taken along line 16-16 in FIG. 14.  
The container in FIGS. 9-16 is shown with a symbolic break in its height. The appearance of any portion of the article in between the broken lines, including the symbolic break lines themselves, forms no part of the claimed design.

**1 Claim, 16 Drawing Sheets**



(56)

References Cited

U.S. PATENT DOCUMENTS

D185,674 S \* 7/1959 Lumley ..... D34/1  
 2,958,438 A \* 11/1960 Severson ..... 220/525  
 D194,155 S \* 11/1962 Gottsegen ..... D7/553.1  
 D194,474 S \* 1/1963 Gottsegen ..... D7/553.5  
 3,261,494 A 7/1966 Walker  
 3,306,489 A \* 2/1967 Armbruster ..... 220/646  
 3,391,816 A \* 7/1968 Swett ..... 220/534  
 3,394,861 A \* 7/1968 Truax ..... 229/120.07  
 D279,865 S 7/1985 McKee  
 D297,115 S 8/1988 Fontana et al.  
 D297,116 S 8/1988 Fontana et al.  
 D297,117 S 8/1988 Fontana et al.  
 D297,118 S 8/1988 Fontana et al.  
 D297,119 S 8/1988 Fontana et al.  
 4,955,528 A 9/1990 Schluckebier  
 D311,869 S \* 11/1990 Carlson ..... D7/603  
 4,989,742 A 2/1991 Powell  
 5,111,951 A \* 5/1992 Breen et al. .... 220/23.4  
 D336,701 S \* 6/1993 Waterston ..... D34/1  
 D339,522 S 9/1993 Zoss  
 5,292,058 A \* 3/1994 Zoss et al. .... 229/123  
 D351,997 S 11/1994 Finnah  
 5,495,941 A \* 3/1996 Leonard ..... 206/366  
 D370,412 S 6/1996 Rohrer  
 D373,081 S 8/1996 Bridger  
 D376,311 S 12/1996 Burton  
 D381,159 S \* 7/1997 Hampton ..... D34/1  
 D393,798 S 4/1998 Joswick  
 D394,204 S \* 5/1998 Seddon ..... D9/737  
 5,853,105 A 12/1998 Roman et al.  
 5,875,957 A 3/1999 Yocum  
 D424,426 S 5/2000 Fletcher  
 6,119,930 A 9/2000 Lunstra et al.

D441,511 S \* 5/2001 Windle ..... D34/1  
 D443,483 S \* 6/2001 Gilliam et al. .... D7/629  
 D458,429 S \* 6/2002 Lenard ..... D34/1  
 D459,046 S \* 6/2002 Laib ..... D34/1  
 D471,803 S \* 3/2003 Trombly ..... D9/737  
 D472,355 S \* 3/2003 Keller ..... D34/1  
 D492,196 S 6/2004 Hyhlik et al.  
 D493,590 S \* 7/2004 Chen ..... D34/1  
 6,761,283 B1 \* 7/2004 Gilliam et al. .... 220/837  
 D515,437 S 2/2006 Lopez-Garcia  
 D528,374 S \* 9/2006 Heiberg et al. .... D7/629  
 D529,820 S 10/2006 Kissner et al.  
 D531,054 S \* 10/2006 Sagel ..... D9/737  
 D532,656 S \* 11/2006 Littlejohn ..... D7/553.6  
 D554,319 S \* 10/2007 Chen ..... D34/1  
 D554,320 S \* 10/2007 Williams ..... D34/1  
 7,520,417 B2 \* 4/2009 Biedermann et al. .... 229/120.15  
 D634,546 S \* 3/2011 Horwitz ..... D3/320  
 D644,124 S \* 8/2011 Cocchioni ..... D9/737  
 8,328,019 B2 \* 12/2012 Dermo ..... 206/581  
 D675,518 S \* 2/2013 Wheaton et al. .... D9/424  
 8,944,710 B2 \* 2/2015 Cocchioni ..... 401/125  
 2003/0141355 A1 \* 7/2003 McLean, III ..... 229/120.15  
 2009/0200310 A1 \* 8/2009 Biederman et al. .... 220/500  
 2010/0108686 A1 5/2010 Reichel  
 2011/0000919 A1 \* 1/2011 Whalen ..... 220/500  
 2014/0263354 A1 \* 9/2014 Cerrato ..... 220/553  
 2014/0319149 A1 \* 10/2014 Freedman et al. .... 220/528

OTHER PUBLICATIONS

Containers (Design-© Questel). orbit.com [online PDF] 22 pages.  
 Uploaded 2014 [retrieved on Mar. 12, 2015]. Retrieved from Internet  
 < <http://standard.www7.orbit.com> >.\*

\* cited by examiner

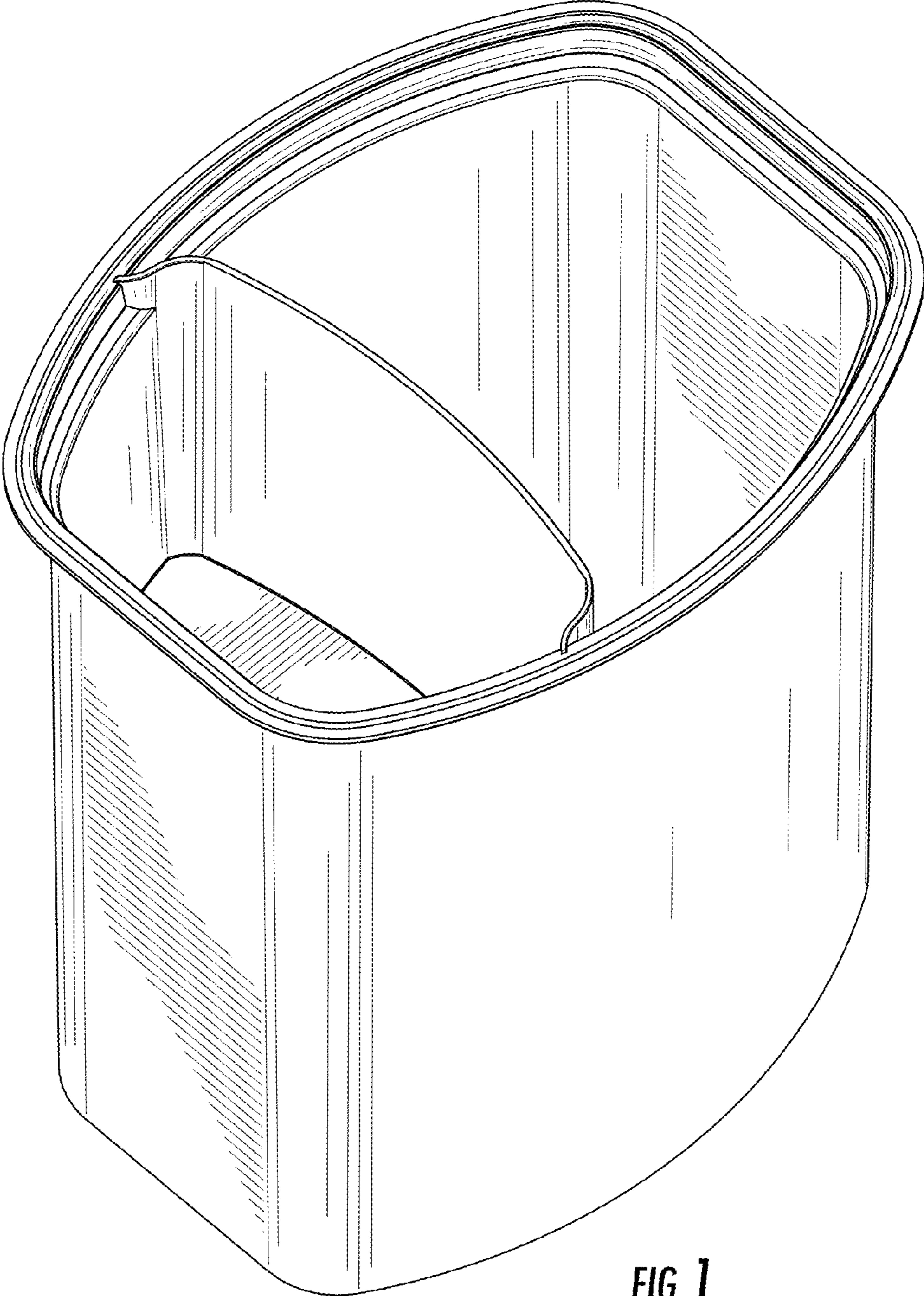


FIG. 1

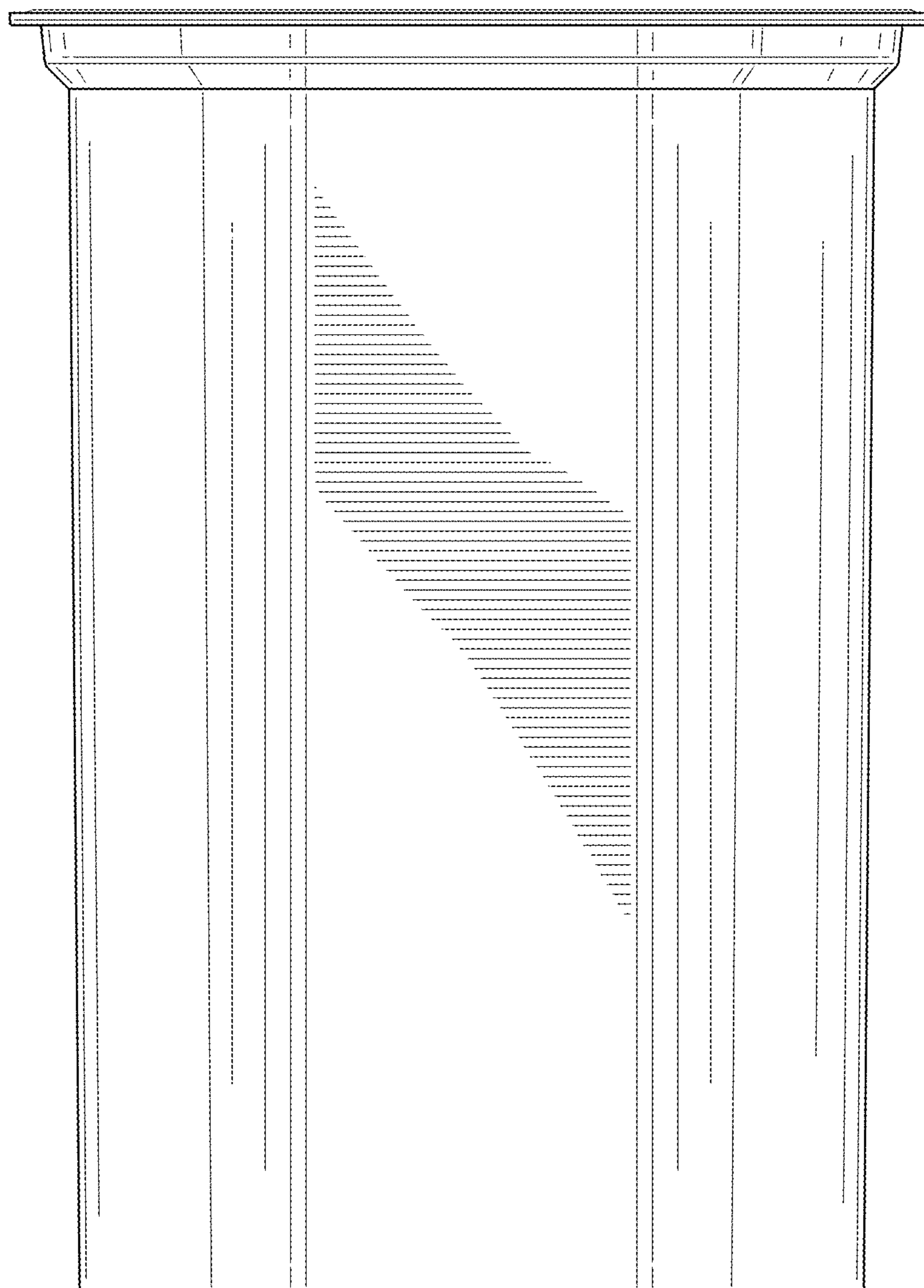
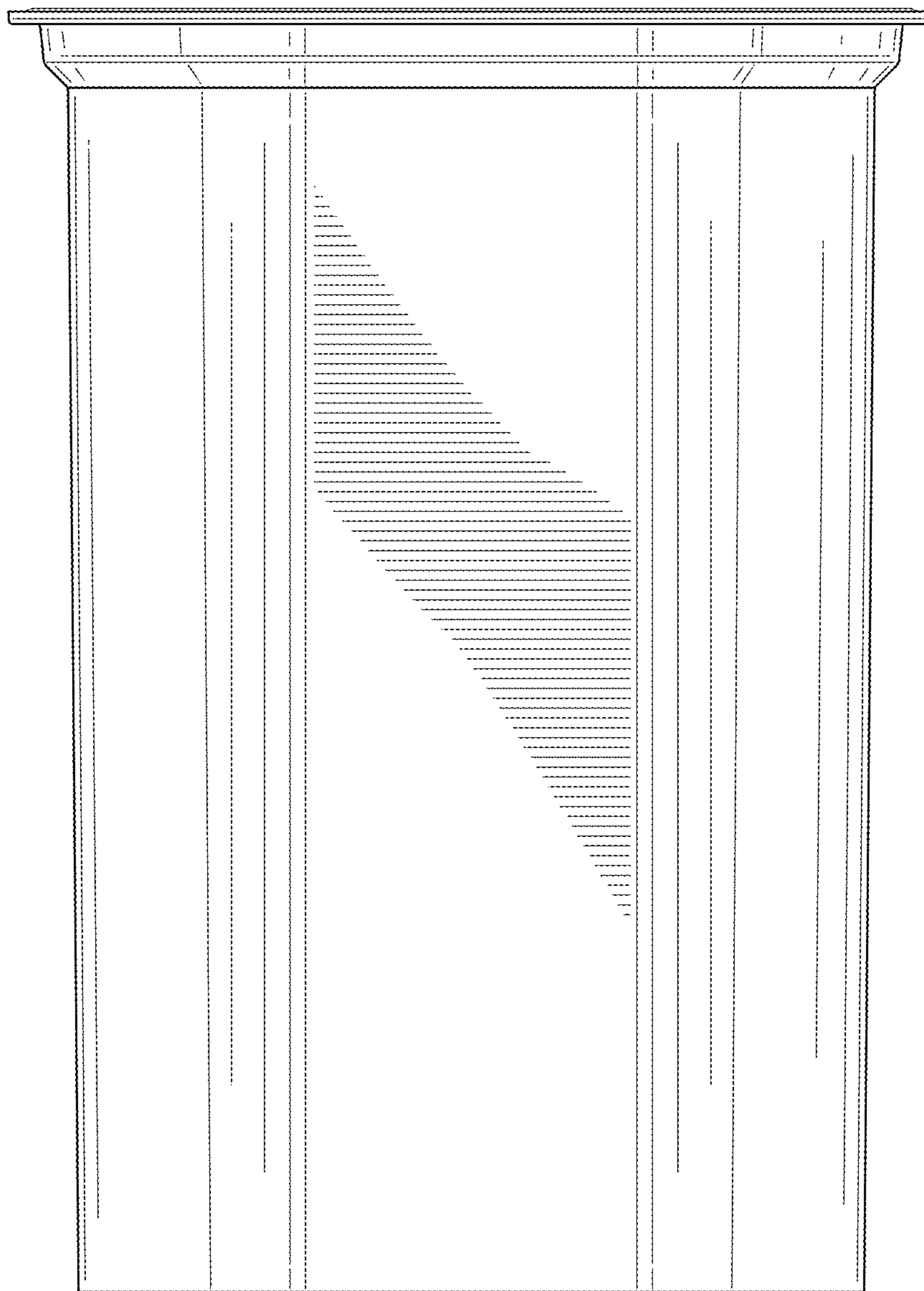
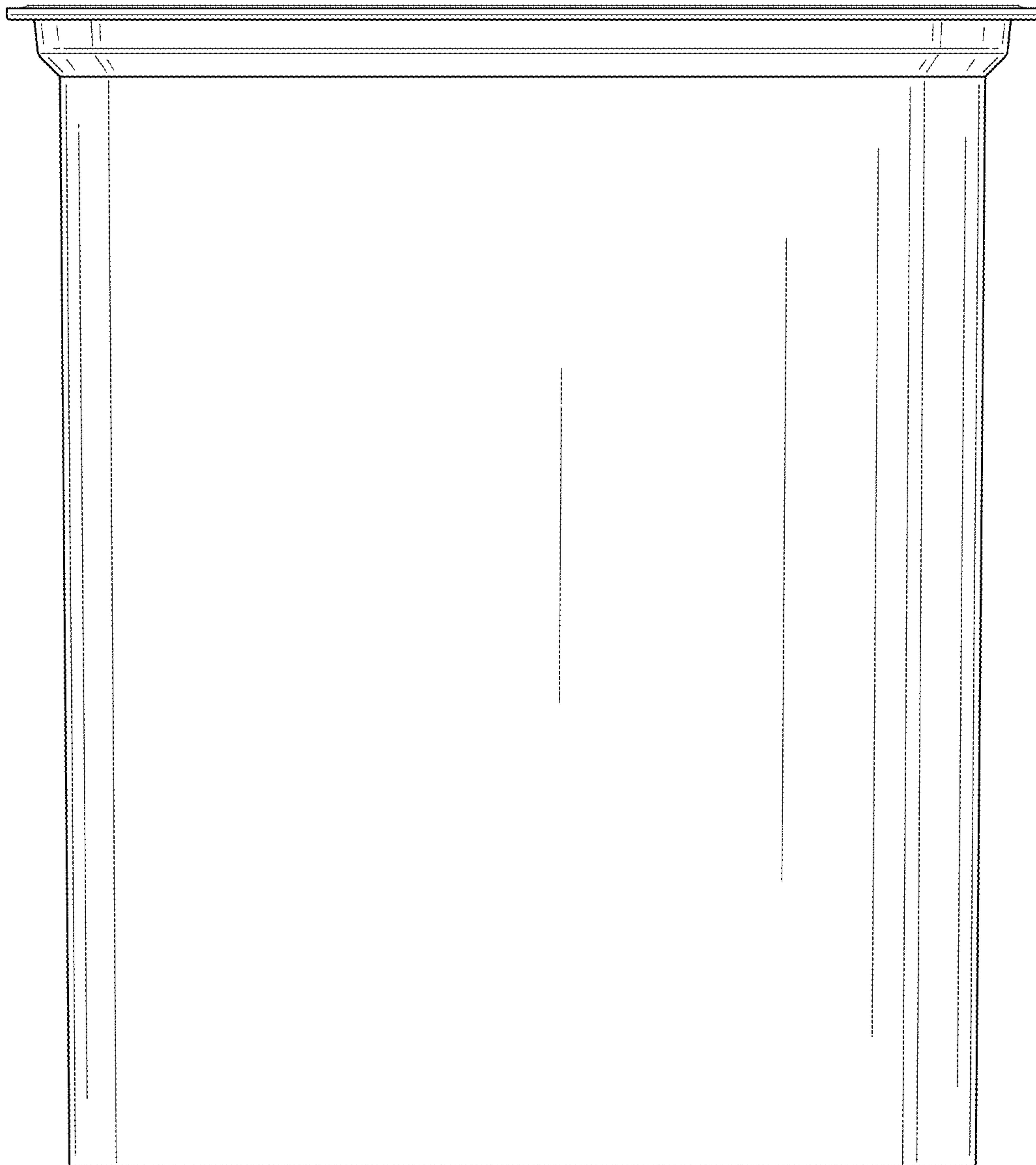


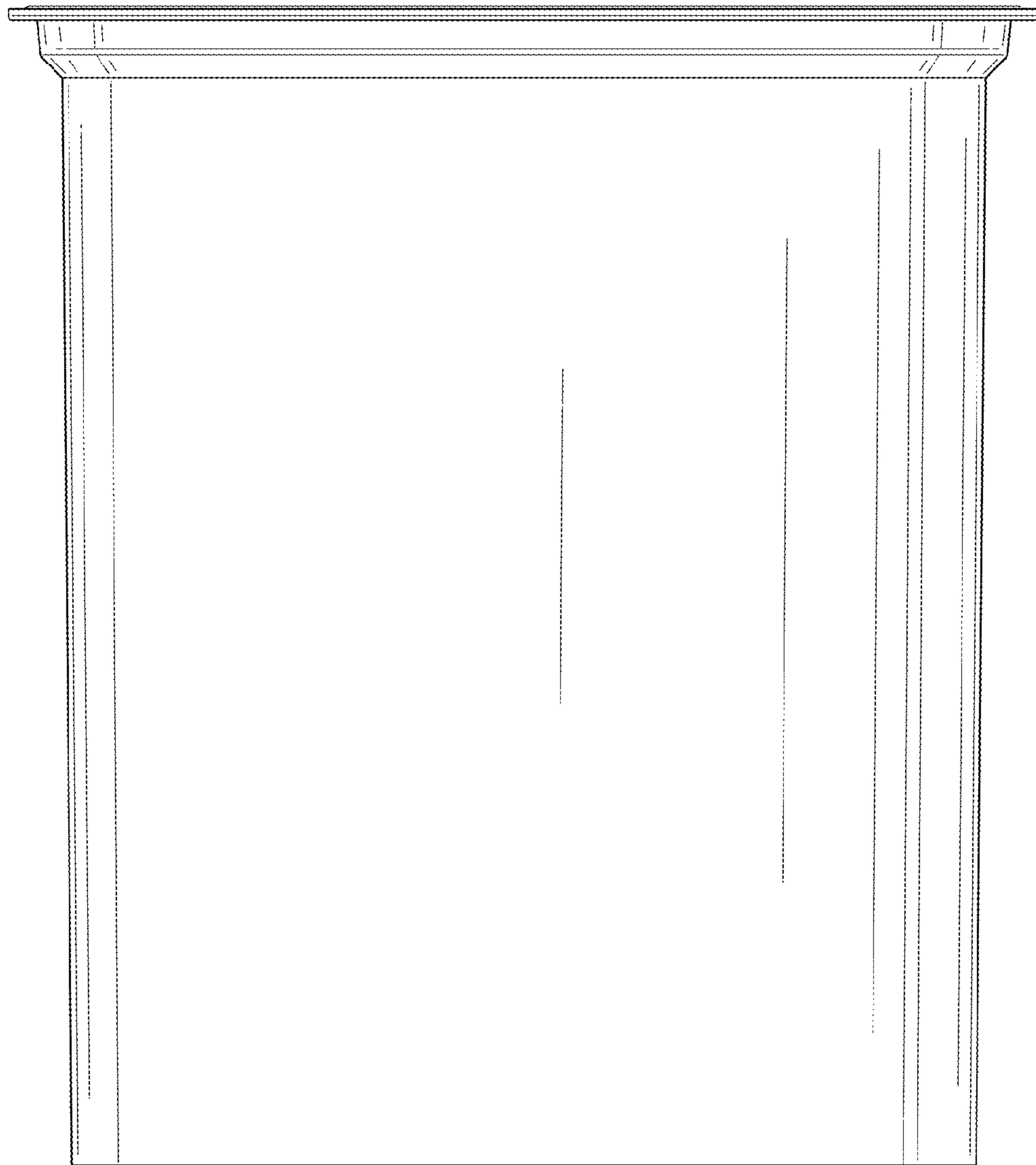
FIG. 2



**FIG. 3**



**FIG. 4**



**FIG. 5**

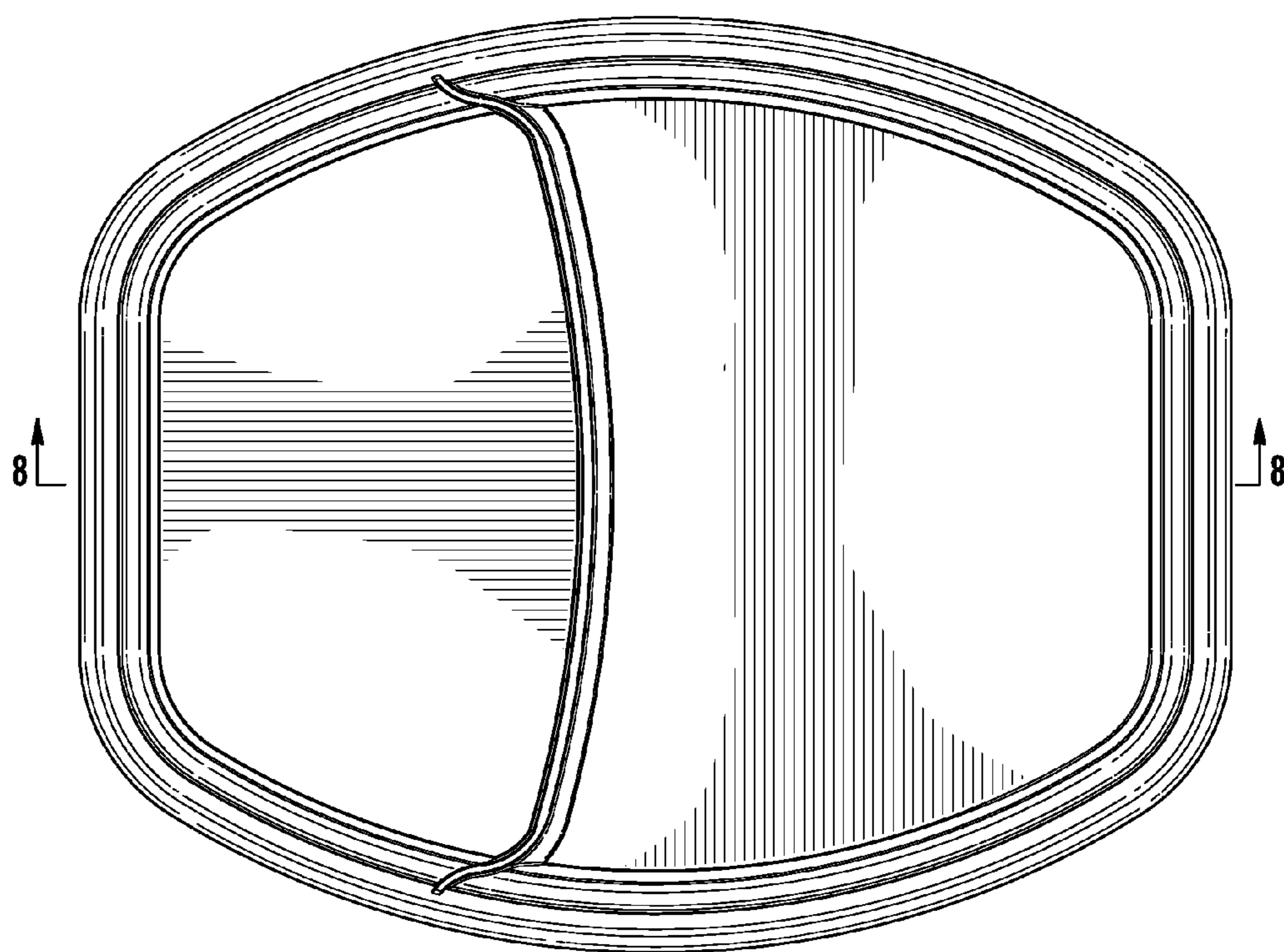
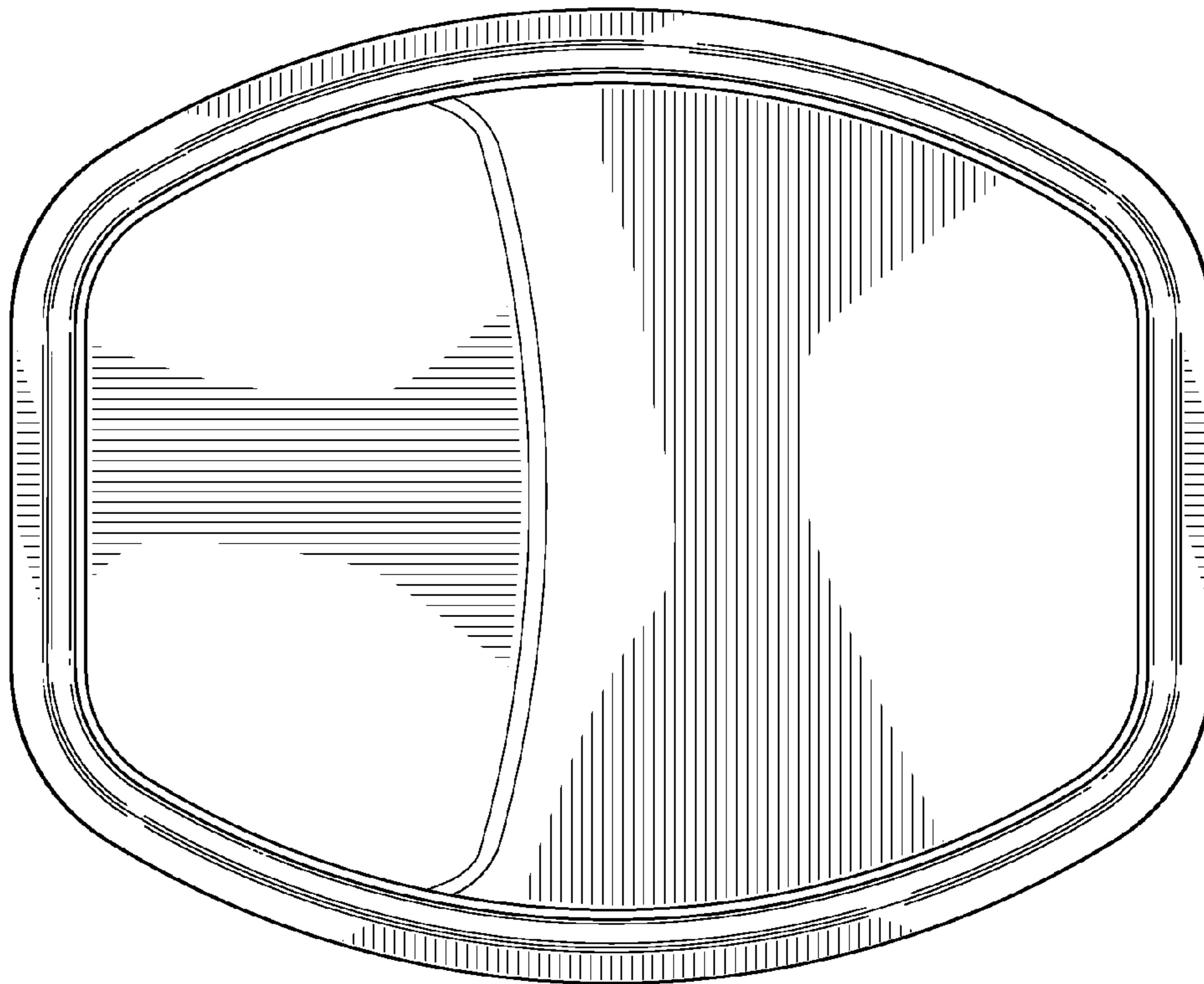
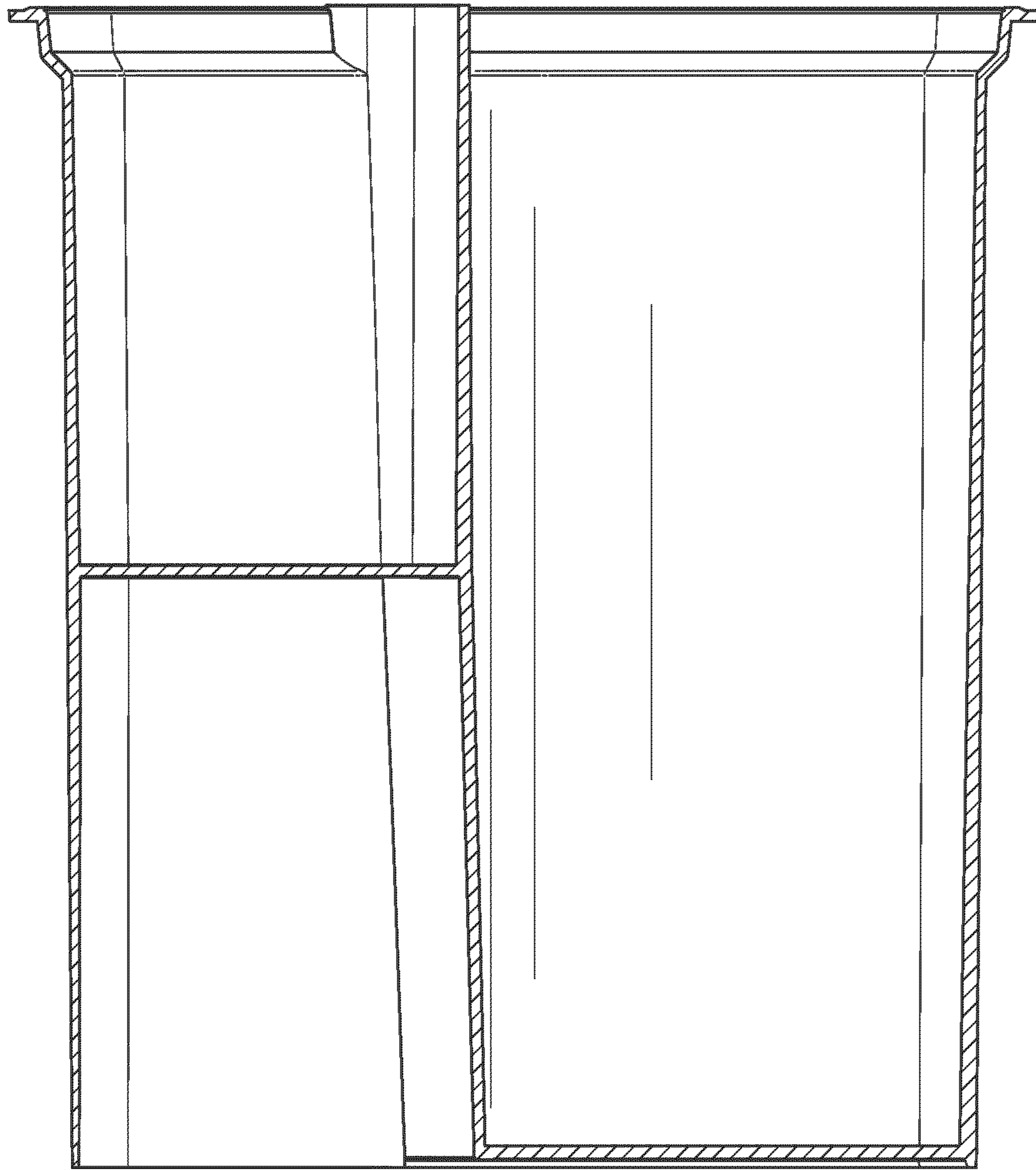


FIG. 6





**FIG. 7**



**FIG. 8**

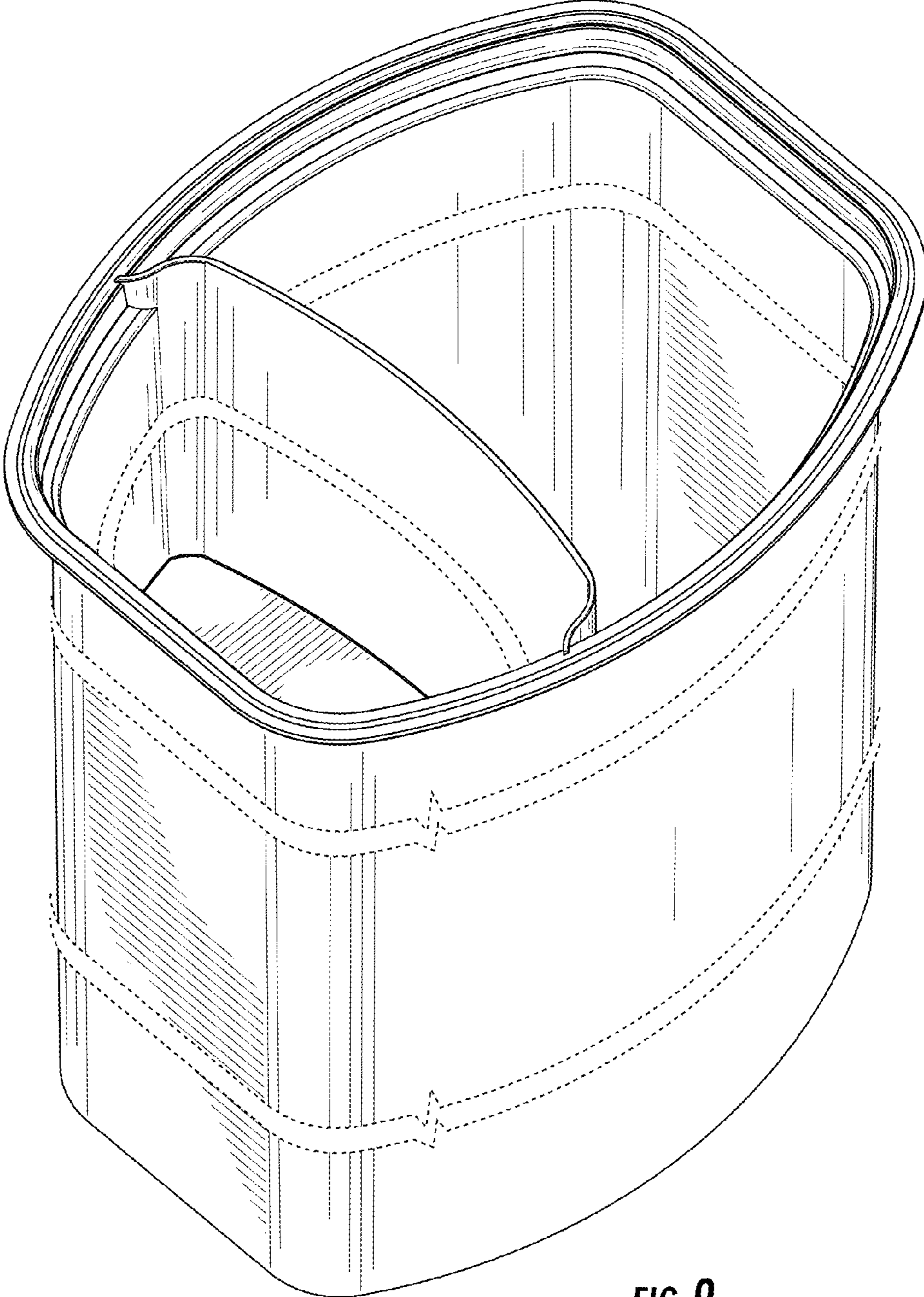
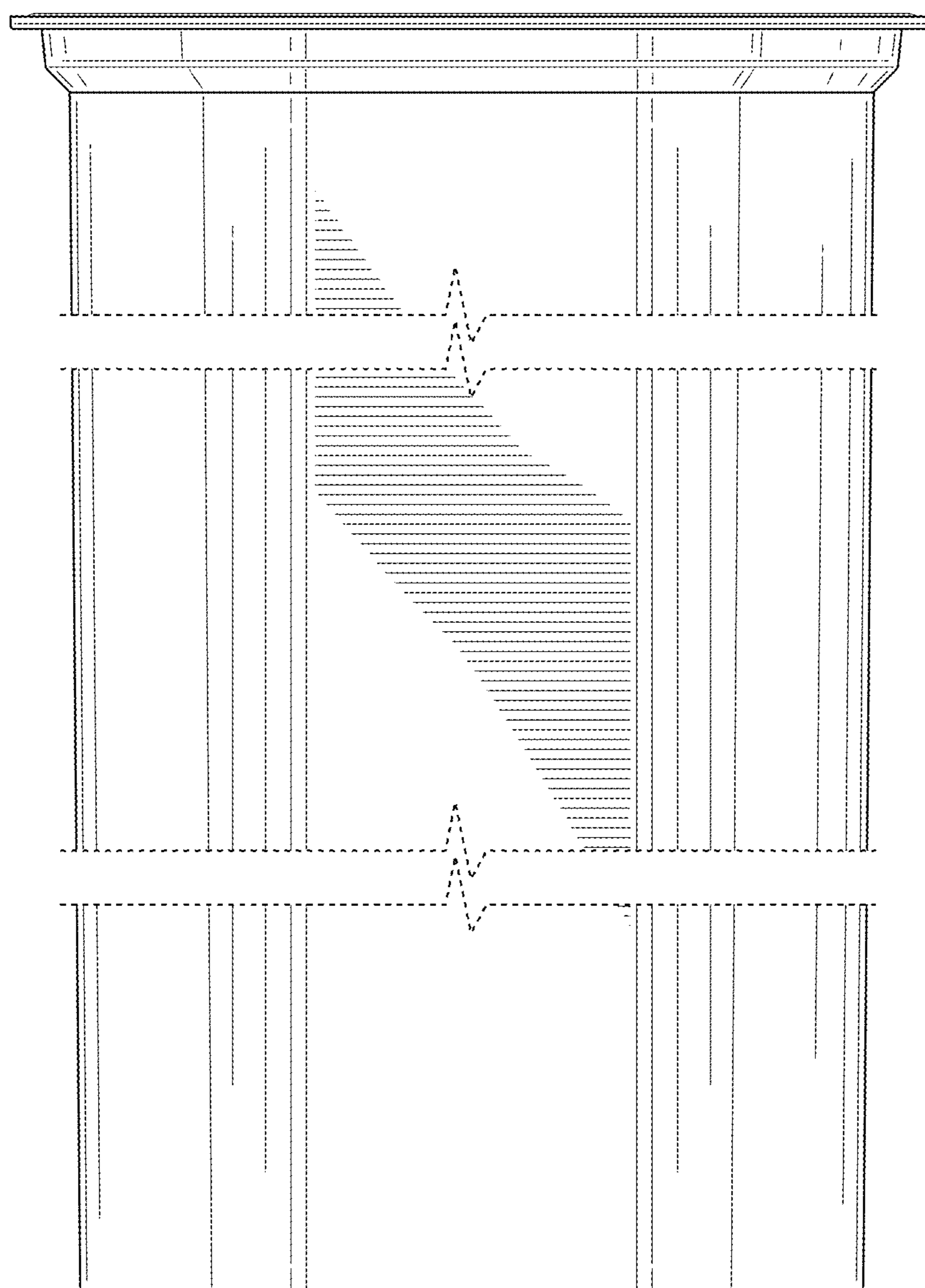
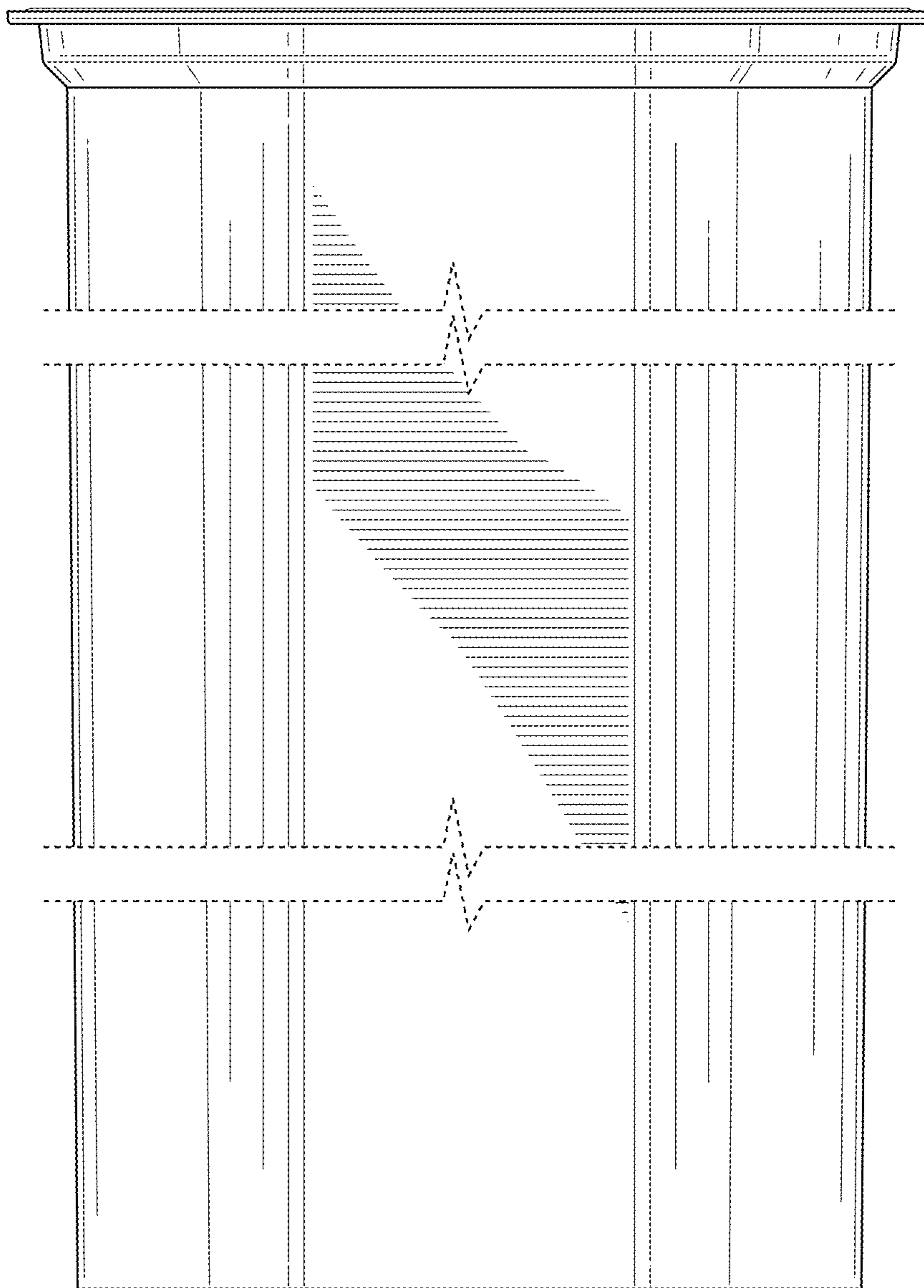


FIG. 9



**FIG. 10**



**FIG. 11**

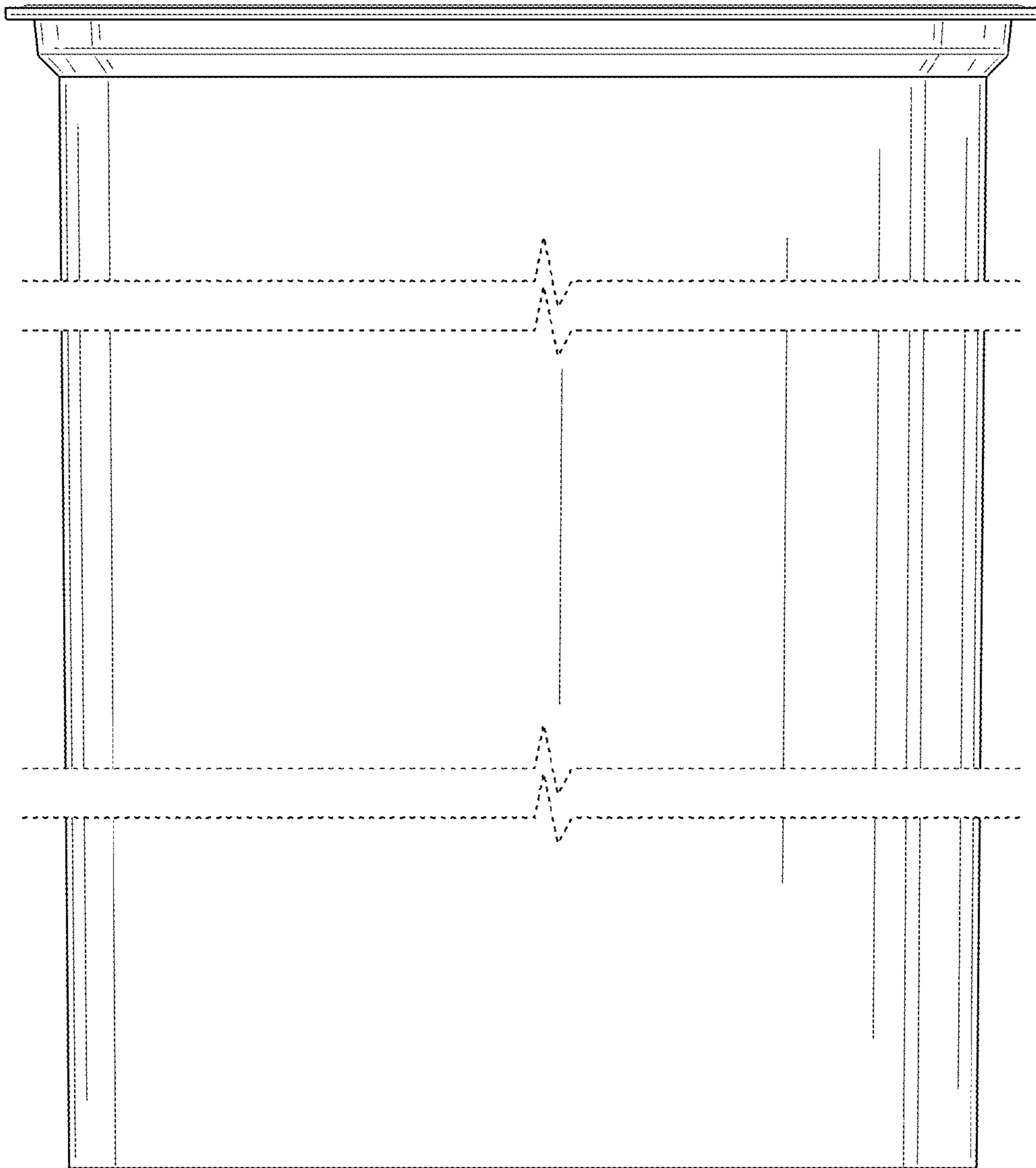


FIG. 12

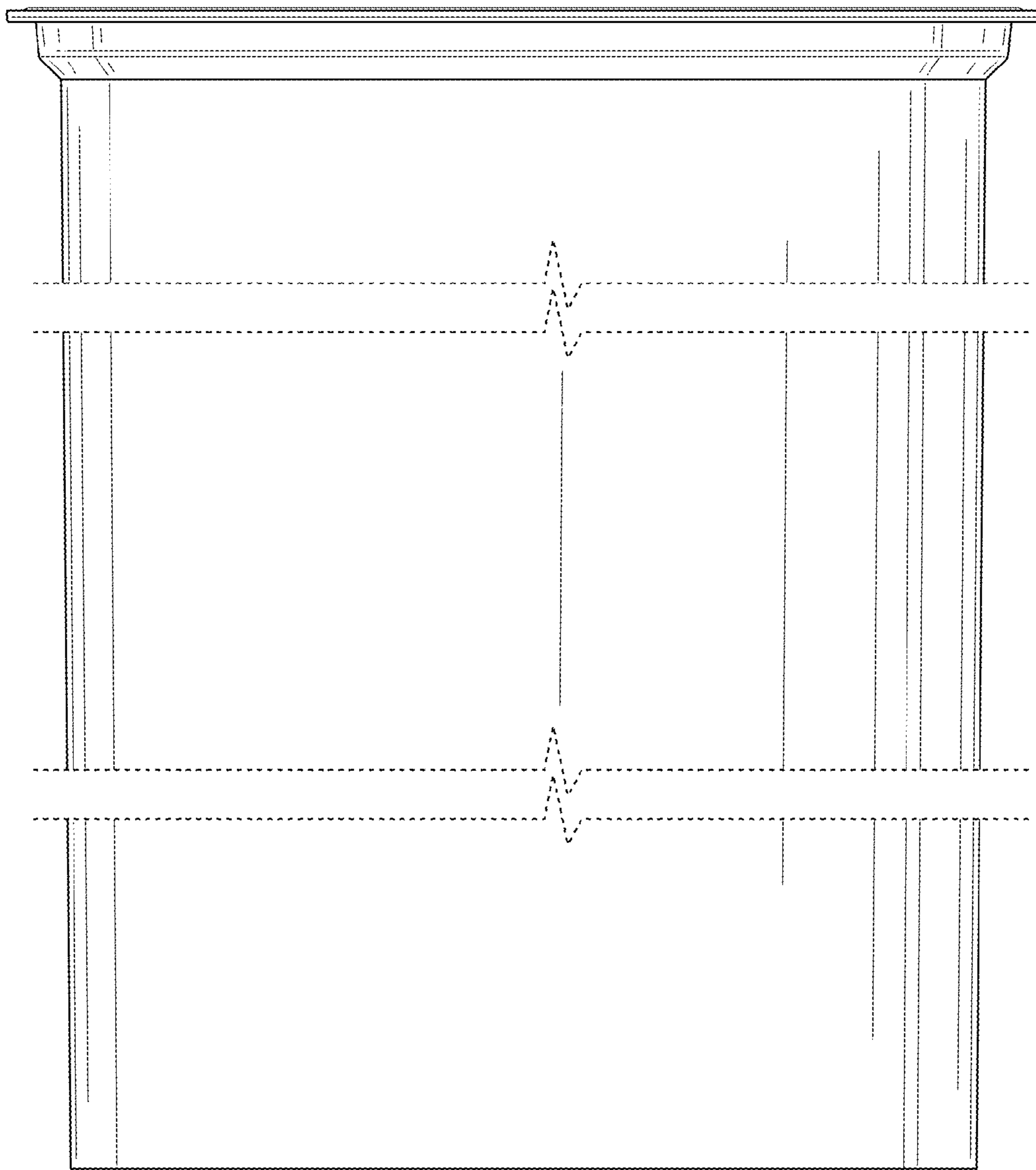


FIG. 13

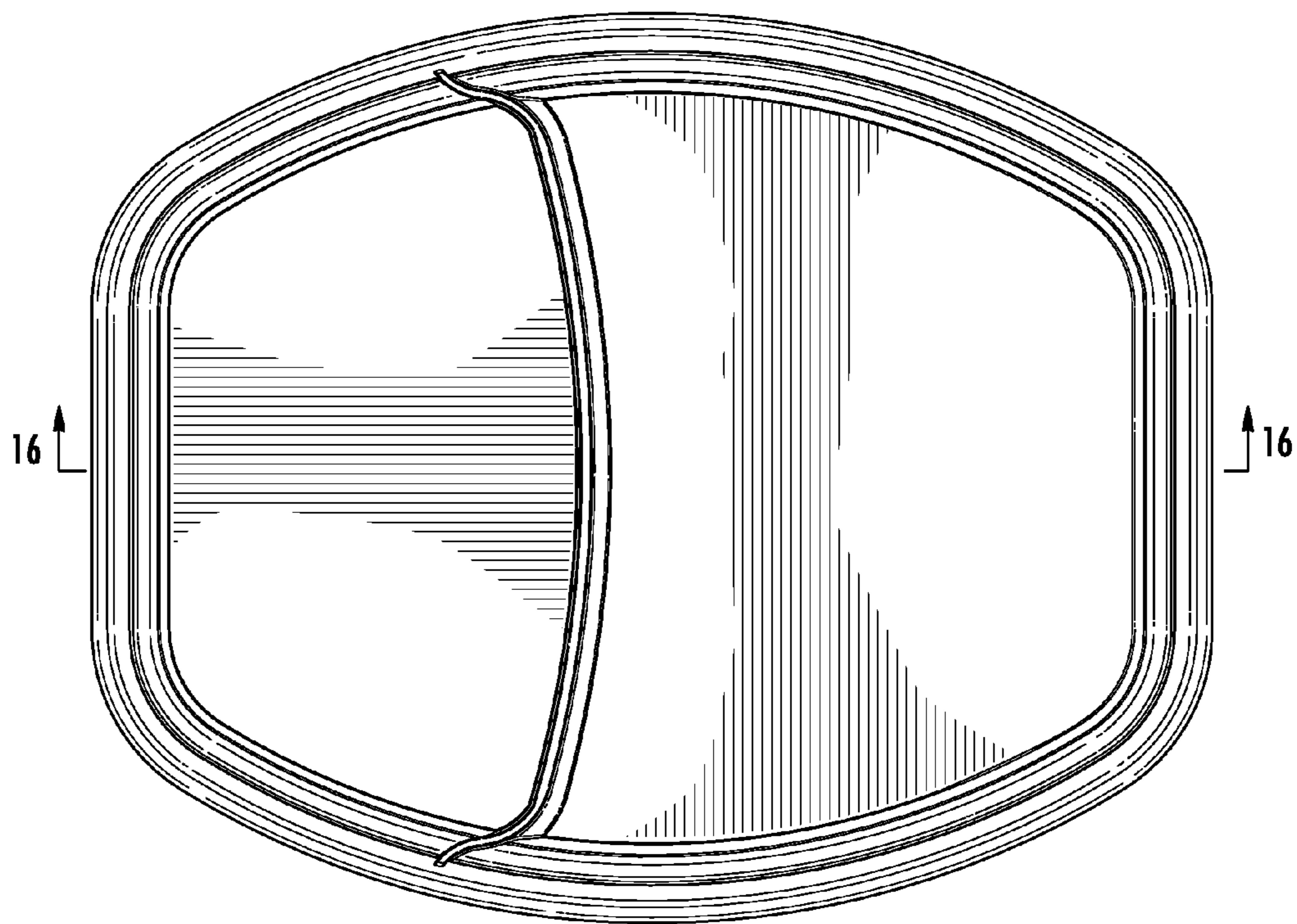
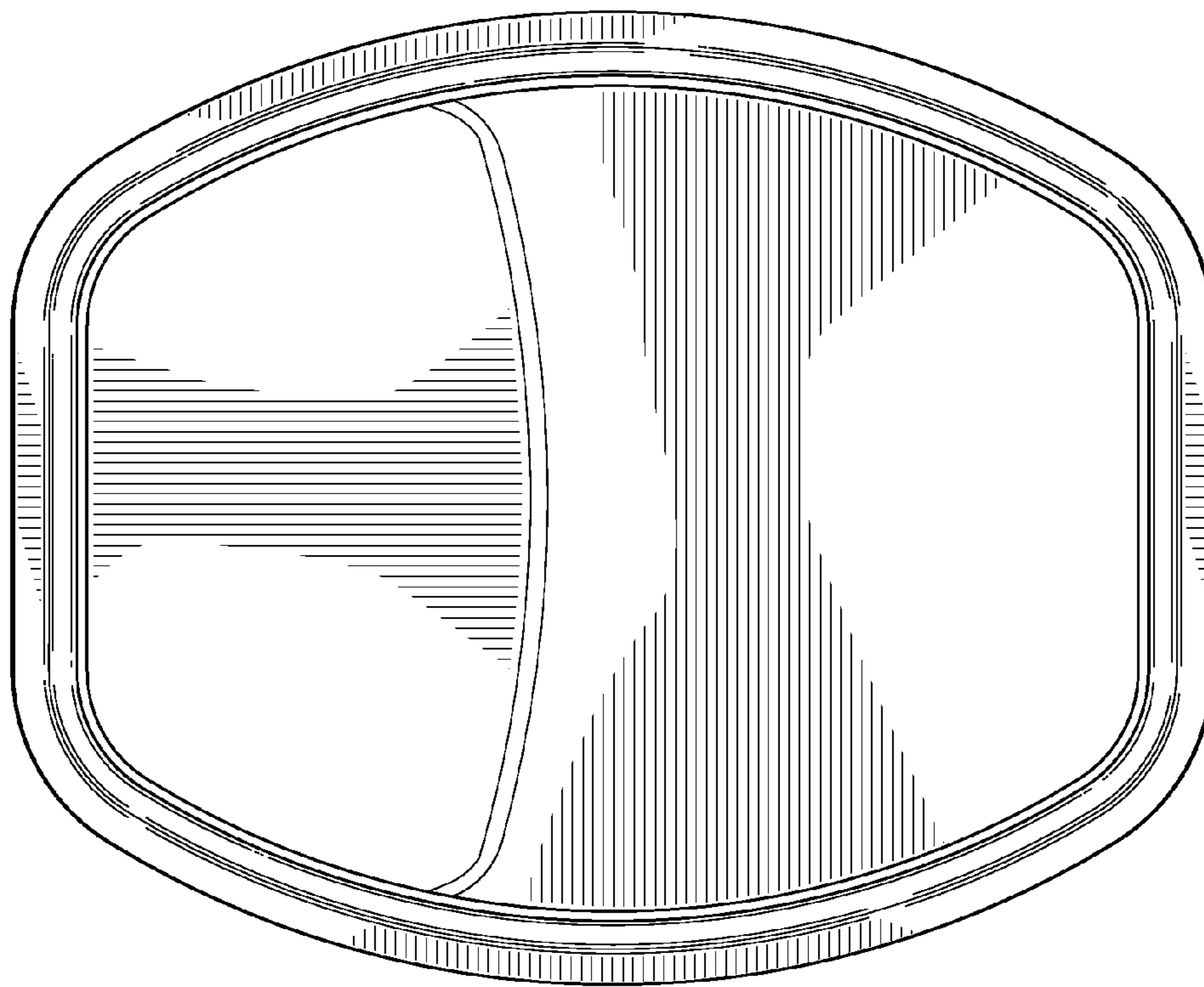
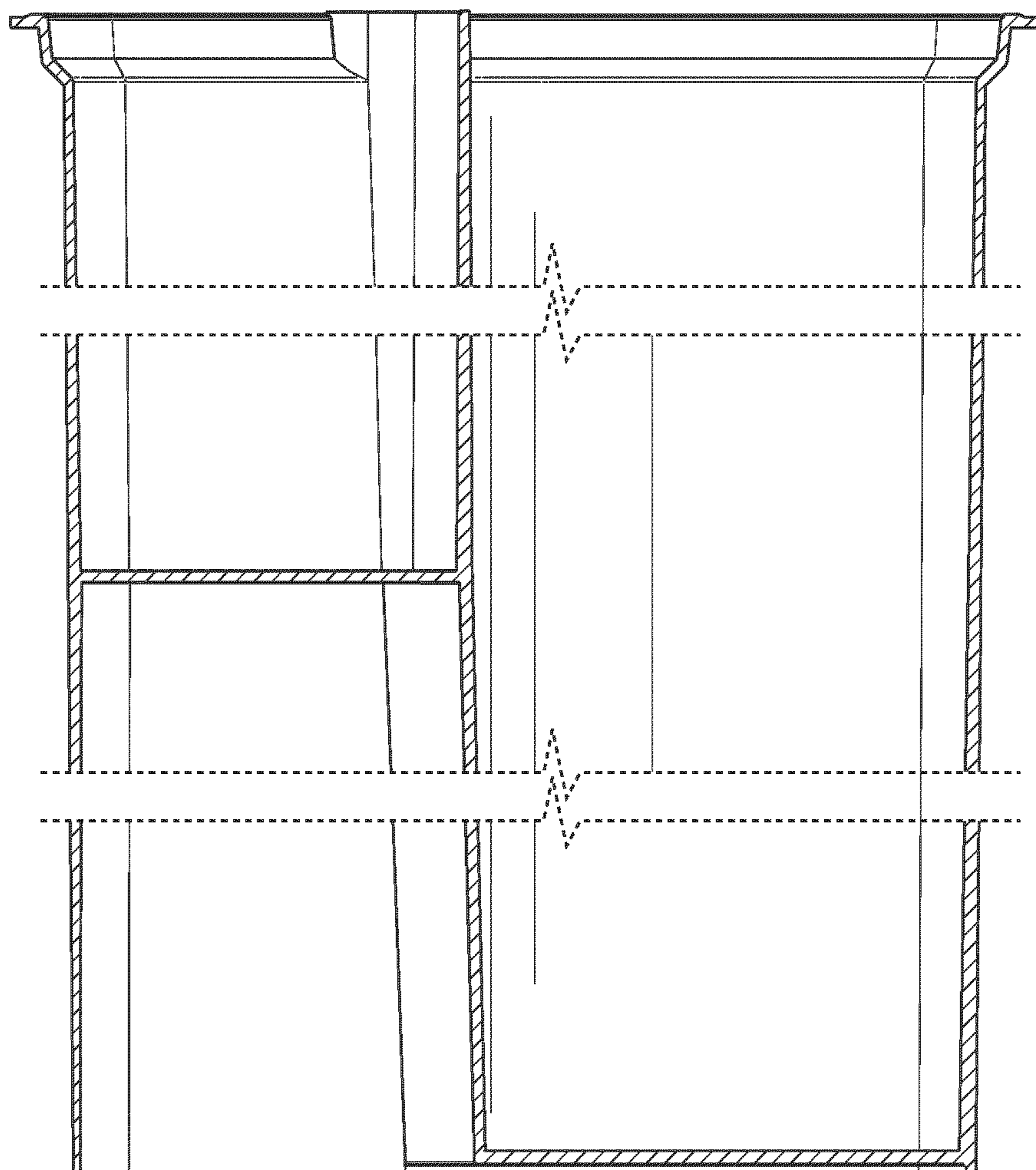


FIG. 14





**FIG. 15**



**FIG. 16**