



US00D748984S

(12) **United States Design Patent**  
**Andersson**

(10) **Patent No.:** **US D748,984 S**  
(45) **Date of Patent:** **\*\* Feb. 9, 2016**

(54) **BOTTLE**  
(71) Applicant: **Teisseire France SAS**, Crolles (FR)  
(72) Inventor: **Anna Andersson**, Paris (FR)  
(73) Assignee: **Teisseire France SAS**, Crolles (FR)  
(\*\*) Term: **14 Years**  
(21) Appl. No.: **29/467,947**  
(22) Filed: **Sep. 25, 2013**  
(30) **Foreign Application Priority Data**  
Mar. 25, 2013 (EM) ..... 002208488  
(51) **LOC (10) Cl.** ..... **09-01**  
(52) **U.S. Cl.**  
USPC ..... **D9/516**; D9/530; D9/537; D9/550;  
D9/549; D9/552; D9/567; D9/543  
(58) **Field of Classification Search**  
USPC ..... D9/516, 519, 530, 535, 537-539,  
D9/541-545, 550-554, 558-559, 565-7,  
D9/563, 431, 435, 439-440, 444-447,  
D9/449-450, 454, 522, 524, 526, 561,  
D9/572-575, 649, 655, 682, 685, 688-693,  
D9/723-724; D19/79-84, 93;  
D23/211.1-211.2; D4/16; D28/7, 73,  
D28/76-77, 83; D7/510, 511; D3/202  
CPC .... A47J 41/02; A47J 41/0077; B65D 1/0215;  
B65D 1/0223; B65D 23/102; B65D 23/106;  
B29L 2031/463  
See application file for complete search history.

(56) **References Cited**  
**U.S. PATENT DOCUMENTS**  
D70,165 S \* 5/1926 Fox ..... D9/538  
D75,504 S \* 6/1928 Mas ..... D9/538

D76,731 S \* 10/1928 Achinger et al. .... D9/556  
D77,850 S \* 2/1929 Mas ..... D9/552  
D85,369 S \* 10/1931 Egizio ..... D9/500

(Continued)

**FOREIGN PATENT DOCUMENTS**

CN 3487118 \* 11/2005  
RU 00049187 \* 8/2001

(Continued)

**OTHER PUBLICATIONS**

Evian partners with French fashion house Courrèges for limited edition water bottle—Bornrich, article date Sep. 8, 2011, online, <http://www.bornrich.com/evian-partners-french-fashion-house-courreges-limited-edition-water-bottle.html>, [site visited Sep. 15, 2015 8:54:54 PM].\*

(Continued)

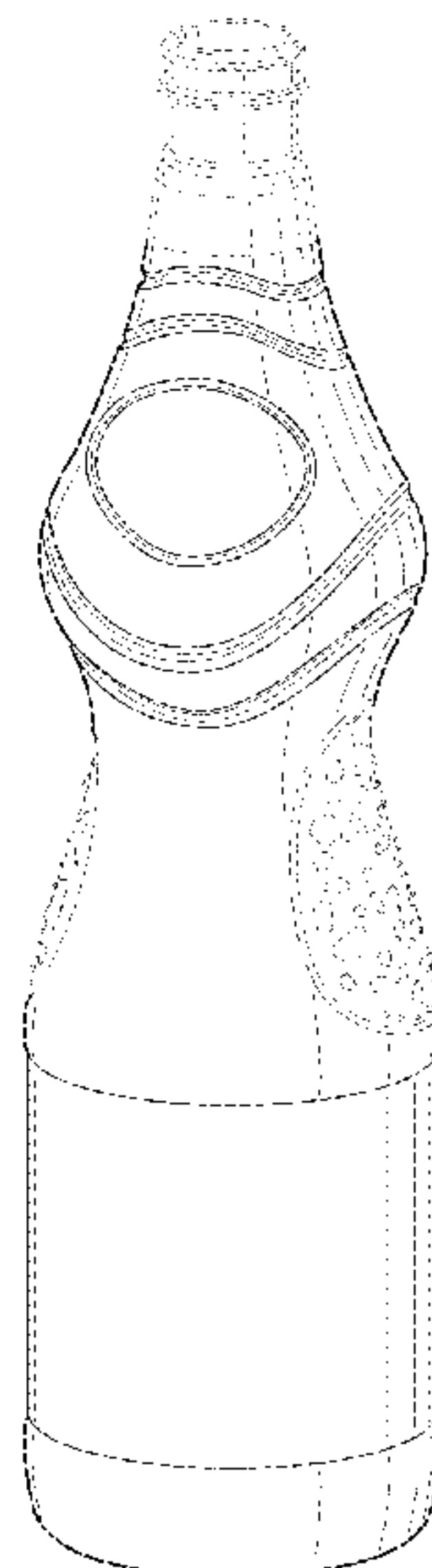
*Primary Examiner* — John Windmuller  
*Assistant Examiner* — John R Yeh  
(74) *Attorney, Agent, or Firm* — Nixon Peabody LLP

(57) **CLAIM**  
The ornamental design for bottle, as shown and described.

**DESCRIPTION**

FIG. 1 is a perspective view of a bottle.  
FIG. 2 is a first side view of the bottle.  
FIG. 3 is a second side view of the bottle, which is opposite to the first side view of FIG. 2.  
FIG. 4 is a third side view of the bottle, which is adjacent to the first side view of FIG. 2.  
FIG. 5 is a fourth side view of the bottle, which is opposite to the third side view of FIG. 4.  
FIG. 6 is a top plan view of the bottle; and,  
FIG. 7 is a bottom plan view of the bottle.  
The portions of the drawings shown in broken lines represent environmental structure and form no part of the claimed design.

**1 Claim, 4 Drawing Sheets**



(56)

References Cited

U.S. PATENT DOCUMENTS

D179,507 S \* 1/1957 Barbiers ..... D9/537  
 D201,585 S \* 7/1965 Roberts ..... D9/542  
 D386,674 S \* 11/1997 Corcoran ..... D9/549  
 D398,855 S \* 9/1998 Ito ..... D9/537  
 D466,023 S 11/2002 Eickmeier  
 D473,469 S \* 4/2003 Claessen ..... D9/537  
 D496,280 S \* 9/2004 Mero ..... D9/538  
 D547,997 S \* 8/2007 Parcels ..... D7/319  
 D549,108 S 8/2007 Lepoitevin  
 D551,083 S 9/2007 Schwarz  
 D560,507 S 1/2008 Lepoitevin  
 D567,092 S \* 4/2008 Venkataraman ..... D9/516  
 D567,663 S \* 4/2008 Kinmont ..... D9/550  
 D576,886 S \* 9/2008 Venkataraman ..... D9/550  
 D582,287 S 12/2008 Lovelace, Jr. et al.  
 D582,288 S 12/2008 Lovelace, Jr. et al.  
 D582,779 S 12/2008 Bourne  
 D584,626 S 1/2009 Kruparova  
 D585,292 S 1/2009 Kruparova  
 D602,783 S 10/2009 Lepoitevin  
 D603,709 S 11/2009 Lepoitevin  
 D648,598 S 11/2011 Lipson  
 D656,403 S 3/2012 Bernstein et al.  
 D658,066 S 4/2012 Melrose et al.  
 D663,625 S \* 7/2012 Warneke ..... D9/539  
 D665,671 S \* 8/2012 Loetz ..... D9/445  
 D673,858 S \* 1/2013 Horio ..... D9/434

FOREIGN PATENT DOCUMENTS

RU 00054450 \* 5/2004  
 RU 00063273 \* 7/2007

OTHER PUBLICATIONS

Jelly Belly Soda Pop Shoppe Gummi Bottles—Candy Blog, blog date Dec. 21, 2012, online, [http://www.candyblog.net/blog/item/jelly\\_belly\\_soda\\_pop\\_shoppe\\_gummi\\_bottles](http://www.candyblog.net/blog/item/jelly_belly_soda_pop_shoppe_gummi_bottles), [site visited Sep. 15, 2015 8:59:55 PM].\*

Marketline website Teisseire, INternet Wayback date Oct. 18, 2014, <http://web.archive.org/web/20141018180231/http://www.marketlineib.com/Beverages/syrup/SyrupTeisseire%20%20?sort=pd.name&order=ASC>, [site visited Sep. 15, 2015 9:06:58 PM].\*

Yummy Marketing | Découvrez les tendances alimentaires du moment, post date Jan. 2, 2014, online, <https://yummymarketing.wordpress.com/>, [site visited Sep. 15, 2015 9:18:16 PM].\*

Report on BE Designs prepared by Questel Orbit, dated Feb. 28, 2013 (50 pages).

Report on EU Designs prepared by Questel Orbit, dated Feb. 28, 2013 (161 pages).

Report on FR Designs prepared by Questel Orbit, dated Feb. 28, 2013 (65 pages).

Report on WO Designs prepared by Questel Orbit, dated Feb. 28, 2013 (104 pages).

\* cited by examiner

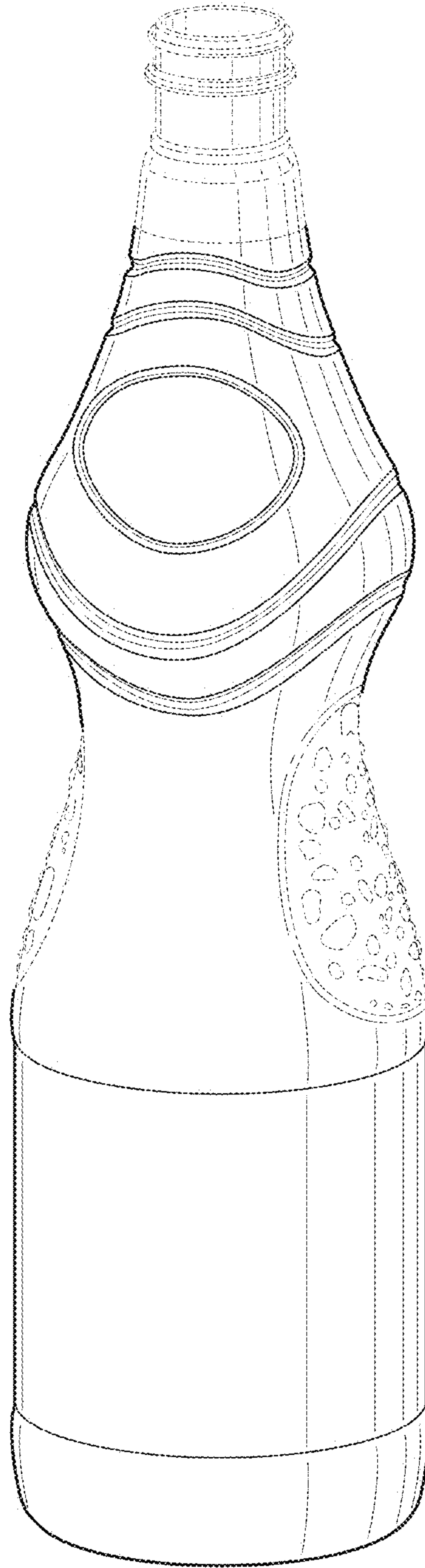


FIG. 1

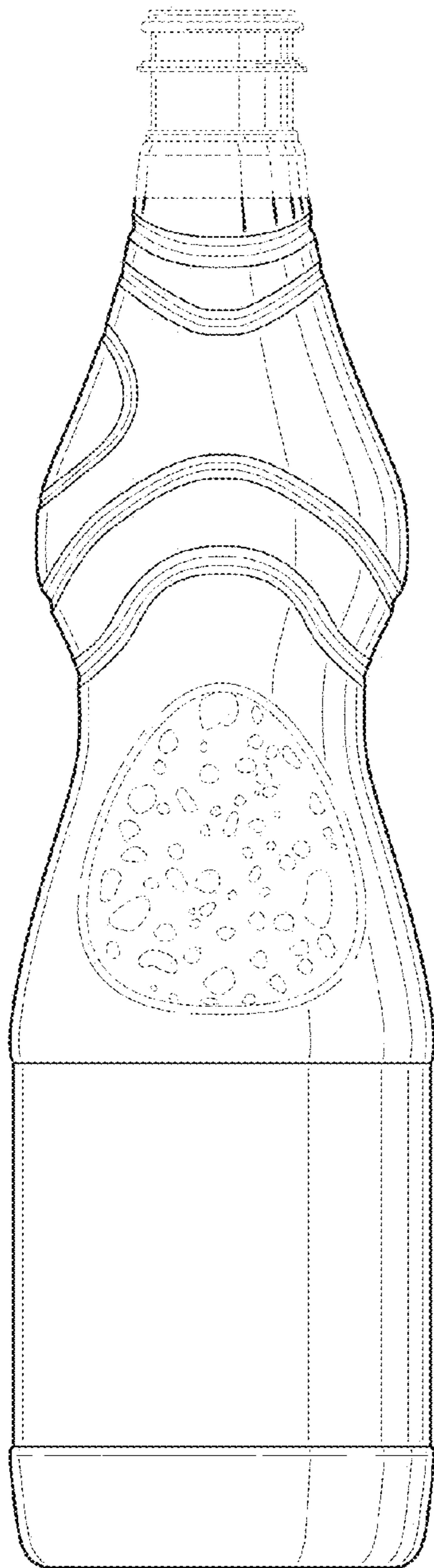


FIG. 2

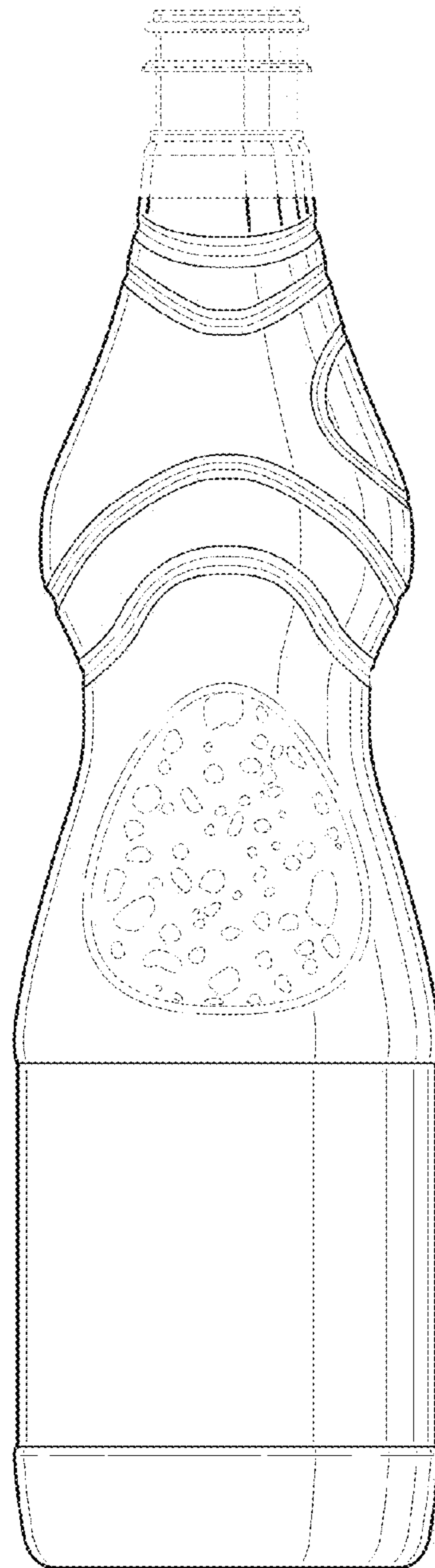


FIG. 3



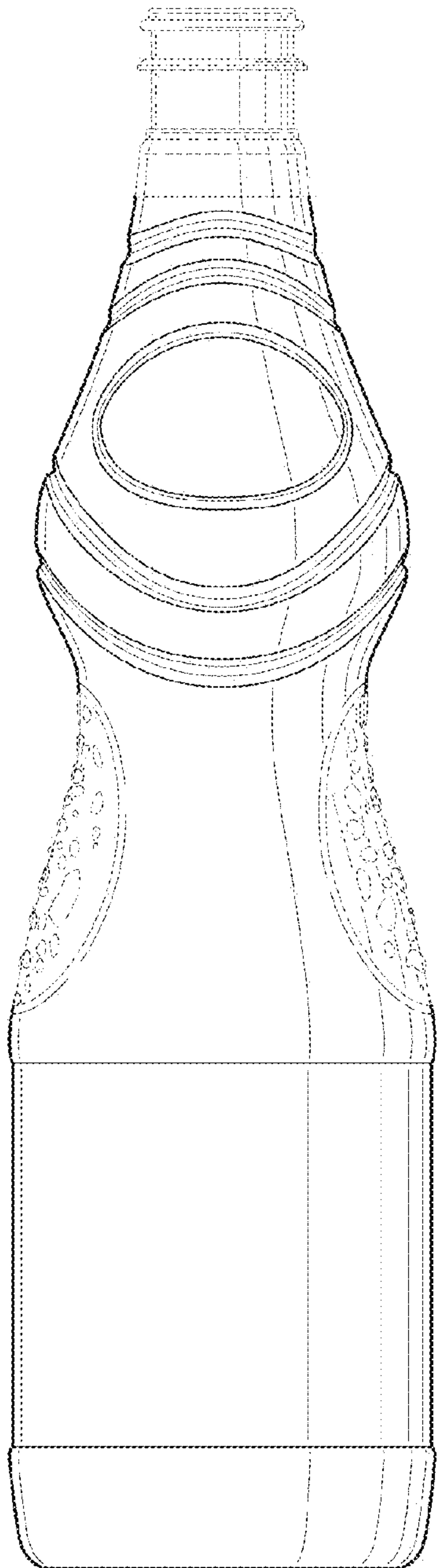


FIG. 4

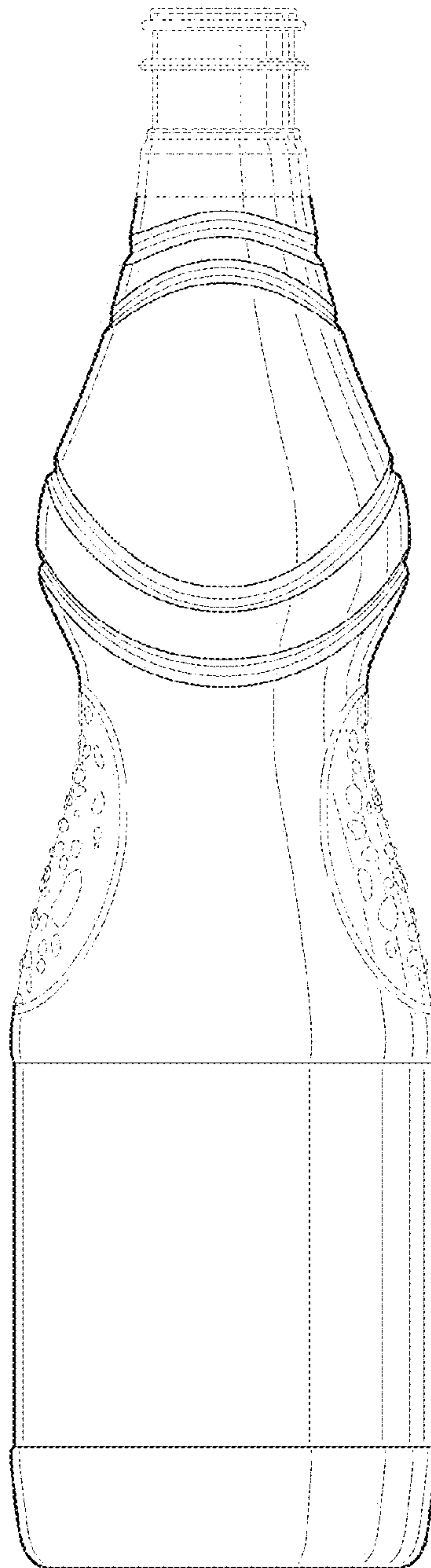


FIG. 5

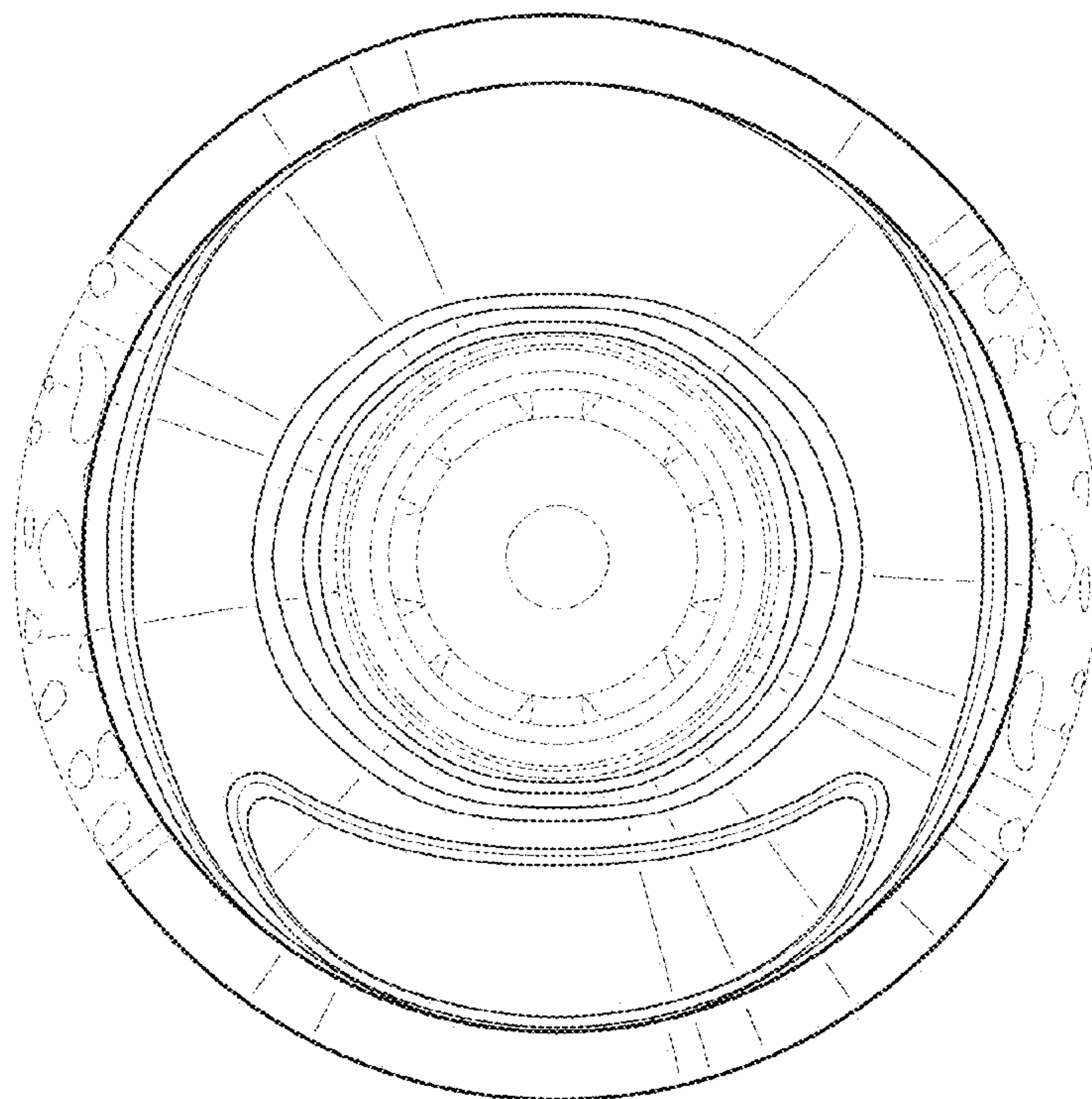


FIG. 6

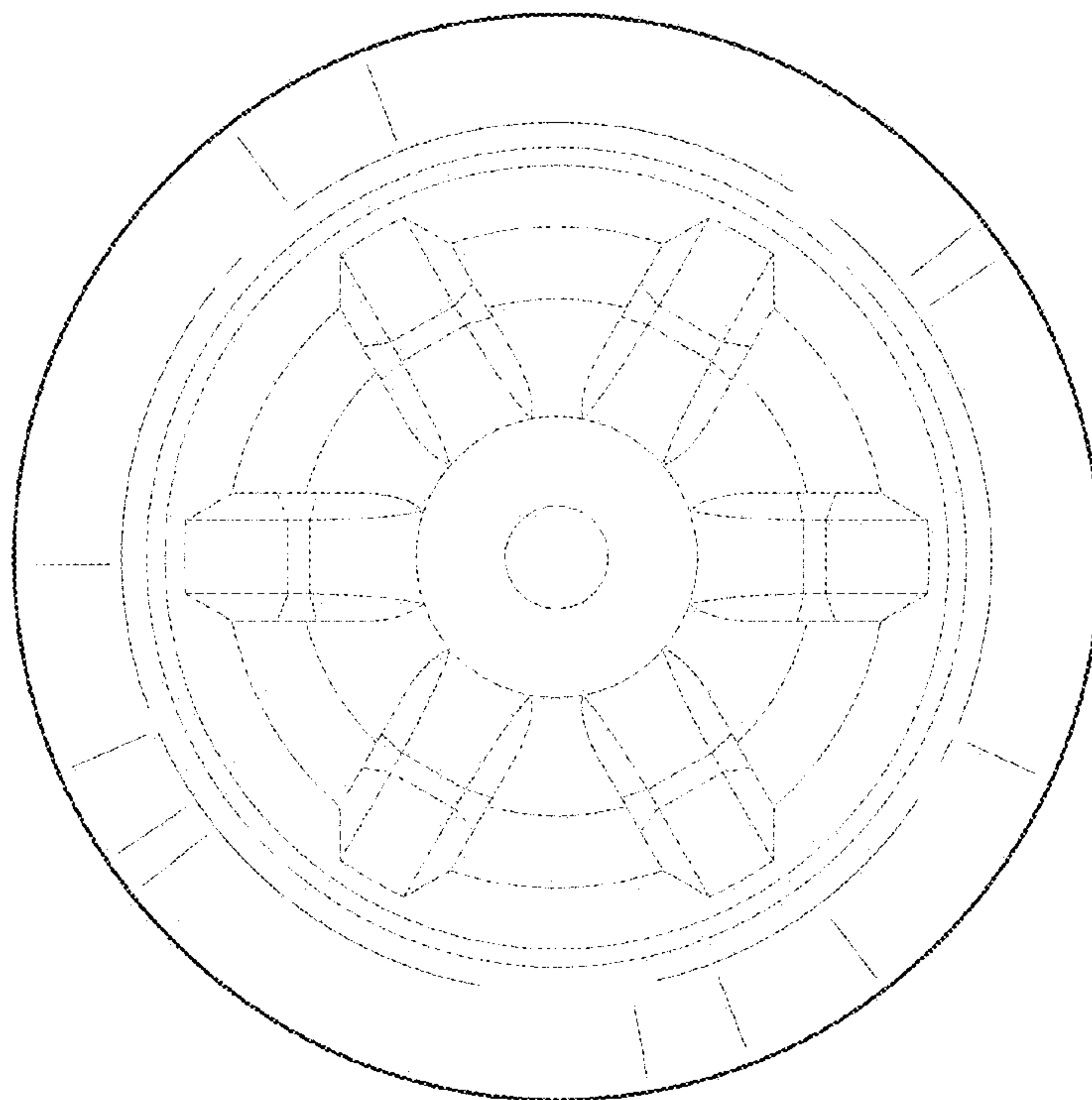


FIG. 7