



US00D748981S

(12) **United States Design Patent**
Vollers et al.

(10) **Patent No.:** **US D748,981 S**
(45) **Date of Patent:** **** Feb. 9, 2016**

(54) **MULTI-FUNCTIONAL CAP**

(71) Applicant: **Vilma da Silva Araujo Baptista**, Rio de Janeiro (BR)

(72) Inventors: **Claudio Patrick Vollers**, Rio de Janeiro (BR); **Henry J. Suzuki**, Sao Paulo (BR)

(73) Assignee: **Vilma da Silva Araujo Baptista**, Rio de Janeiro (BR)

(**) Term: **14 Years**

(21) Appl. No.: **29/467,577**

(22) Filed: **Sep. 20, 2013**

(51) **LOC (10) Cl.** **09-07**

(52) **U.S. Cl.**

USPC **D9/436; D9/443**

(58) **Field of Classification Search**

USPC D9/414, 432, 434, 435, 441, 443, 445, D9/449, 450, 452, 453, 454, 636, 640; D21/484, 500; 446/75, 76, 77, 118; D3/270, 271; 273/156, 160; 206/457, 206/511; 220/270-276; 215/209, 217-223, 215/228

CPC A63H 33/086; B65D 81/36; B65D 81/365

See application file for complete search history.

(56) **References Cited**

U.S. PATENT DOCUMENTS

3,487,579 A * 1/1970 Brettingen 446/128
3,597,875 A 8/1971 Christiansen

(Continued)

FOREIGN PATENT DOCUMENTS

BR 7002428 U 2/1991
BR 7002429 U 2/1991

(Continued)

OTHER PUBLICATIONS

Design U.S. Appl. No. 29/467,545, filed Sep. 20, 2013, Inventor Claudio P. Vollers.

Primary Examiner — Robert M Spear

(74) *Attorney, Agent, or Firm* — Carter, DeLuca, Farrell & Schmidt, LLP

(57) **CLAIM**

The ornamental design for multi-functional cap, as shown and described.

DESCRIPTION

FIG. 1 is a front perspective view of a multi-functional cap in accordance with the present design;

FIG. 2 is a front elevational view thereof, the rear, right and left side elevational views being identical to the front elevational view;

FIG. 3 is a top plan view thereof;

FIG. 4 is a bottom plan view thereof;

FIG. 5 is a bottom perspective view thereof;

FIG. 6 is a front perspective view of a second embodiment in accordance with the present design;

FIG. 7 is a front elevational view thereof, the rear, right and left side elevational views being identical to the front elevational view;

FIG. 8 is a top plan view thereof;

FIG. 9 is a bottom plan view thereof;

FIG. 10 is a bottom perspective view thereof;

FIG. 11 is a front perspective view of a third embodiment in accordance with the present design;

FIG. 12 is a front elevational view of the third embodiment illustrated in FIG. 11, the rear, right and left side elevational views being identical to the front elevational view;

FIG. 13 is a top plan view of the third embodiment illustrated in FIG. 11;

FIG. 14 is a bottom plan view of the third embodiment illustrated in FIG. 11;

FIG. 15 is a bottom perspective view of the third embodiment illustrated in FIG. 11;

FIG. 16 is a front perspective view of a fourth embodiment in accordance with the present design;

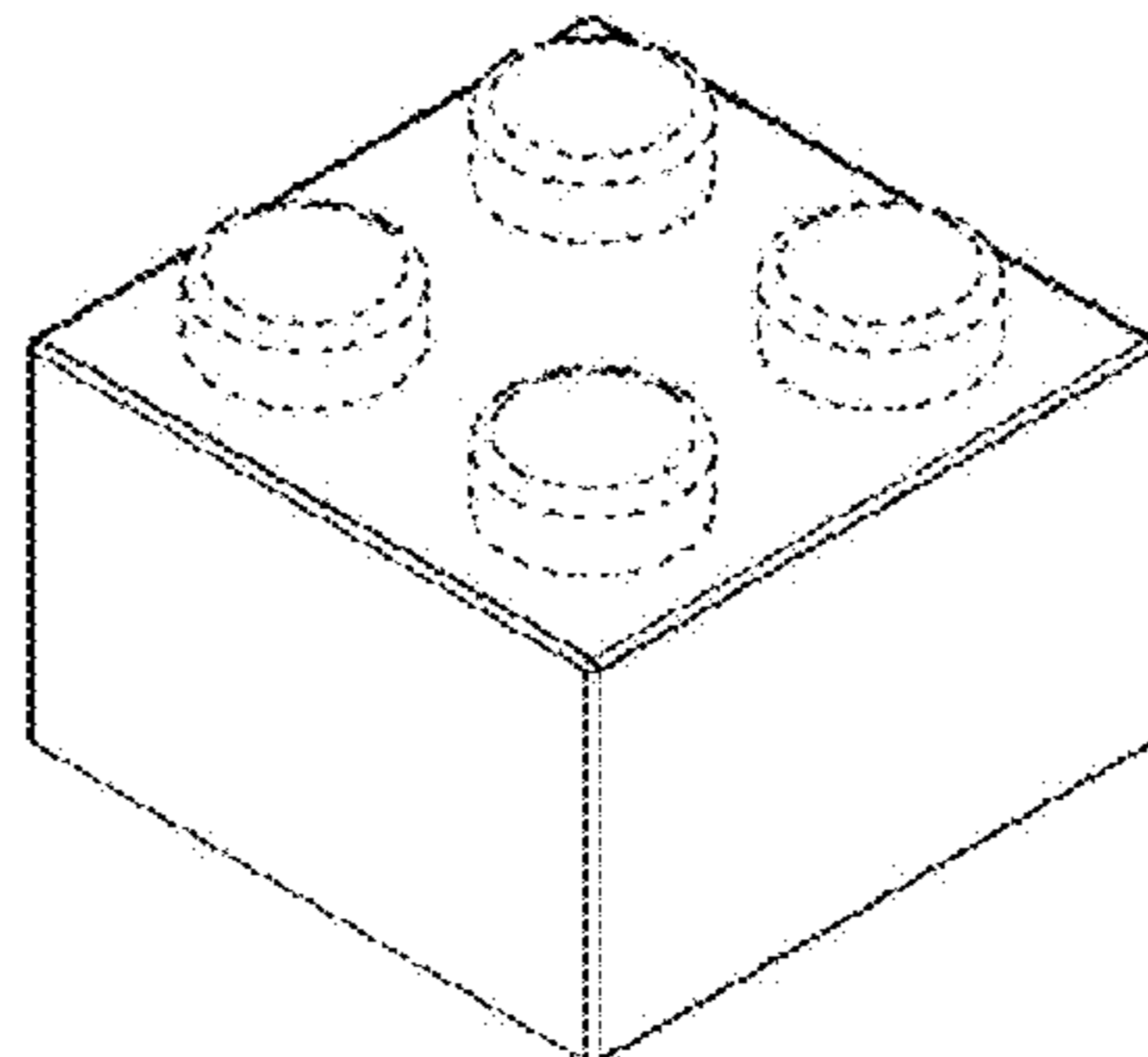
FIG. 17 is a front elevational view of the design illustrated in FIG. 16, the rear, right and left side elevational views being identical to the front elevational view;

FIG. 18 is a top plan view of the design illustrated in FIG. 16; FIG. 19 is a bottom plan view of the design illustrated in FIG. 16; and,

FIG. 20 is a bottom perspective view of the design illustrated in FIG. 16.

The broken lines shown are included for the purpose of illustrating portions of the multi-functional cap that form no part of the claimed design.

1 Claim, 4 Drawing Sheets



(56)

References Cited

U.S. PATENT DOCUMENTS

| | | | | |
|--------------|------|---------|--------------------------|-----------|
| 3,713,247 | A | 1/1973 | Parrilla | |
| 4,202,456 | A | 5/1980 | Silber | |
| 4,964,833 | A | 10/1990 | Suzuki | |
| 5,361,919 | A | 11/1994 | Hull et al. | |
| D397,938 | S * | 9/1998 | Graham et al. | D9/454 |
| 6,029,974 | A * | 2/2000 | Povitz | 273/157 R |
| 6,050,044 | A * | 4/2000 | McIntosh | 52/591.1 |
| 6,086,444 | A * | 7/2000 | Glickman | 446/124 |
| 6,296,541 | B1 * | 10/2001 | Bezalel et al. | 446/105 |
| D469,693 | S * | 2/2003 | Weiss et al. | D9/452 |
| 6,554,676 | B1 * | 4/2003 | Bach | 446/116 |
| 6,702,642 | B1 * | 3/2004 | Parein | 446/105 |
| 8,105,128 | B1 * | 1/2012 | Sorensen et al. | 446/128 |
| 8,187,050 | B1 | 5/2012 | Sorensen | |
| D683,625 | S | 6/2013 | Miranda De Araujo et al. | |
| 2003/0234488 | A1 * | 12/2003 | Povitz | 273/156 |
| 2008/0311819 | A1 * | 12/2008 | Andersen | 446/128 |
| 2010/0102020 | A1 | 4/2010 | Sebille et al. | |
| 2013/0252504 | A1 * | 9/2013 | Chang et al. | 446/124 |
| 2014/0051321 | A1 * | 2/2014 | Kelly et al. | 446/128 |
| 2014/0227937 | A1 * | 8/2014 | Pai-Chen | 446/122 |
| 2014/0256211 | A1 * | 9/2014 | Cheng | 446/125 |

FOREIGN PATENT DOCUMENTS

| | | | |
|----|---------|---|--------|
| BR | 7002250 | U | 5/1992 |
| BR | 7002421 | U | 7/1992 |
| BR | 7002423 | U | 7/1992 |
| BR | 7002424 | U | 7/1992 |
| BR | 7002425 | U | 7/1992 |

| | | | |
|----|--------------|----|---------|
| BR | 7002426 | U | 7/1992 |
| BR | 7002427 | U | 7/1992 |
| BR | 7002430 | U | 7/1992 |
| BR | 9802607 | A | 6/2005 |
| BR | 302013004810 | | 9/2013 |
| BR | 302013004811 | | 9/2013 |
| BR | 302013004812 | | 9/2013 |
| CN | 202046587 | U | 11/2011 |
| CN | 201230100649 | | 9/2012 |
| CN | 201230100653 | | 5/2013 |
| CN | 201230375545 | | 5/2013 |
| CN | 201230375582 | | 5/2013 |
| CN | 201230375583 | | 5/2013 |
| CN | 201230375807 | | 5/2013 |
| CN | 201230376001 | | 5/2013 |
| DE | 2242046 | A1 | 2/1974 |
| DE | 8003690 | U1 | 5/1980 |
| EP | 2489605 | A1 | 8/2012 |
| GB | 2410493 | A | 8/2005 |
| IL | 41948 | A | 1/1977 |
| RU | 106605 | U1 | 7/2011 |
| RU | 108024 | U1 | 9/2011 |
| WO | 9936332 | A1 | 7/1999 |
| WO | 9948582 | A1 | 9/1999 |
| WO | 9967151 | A1 | 12/1999 |
| WO | 0055063 | A1 | 9/2000 |
| WO | D053490-002 | | 9/2000 |
| WO | D053490-003 | | 9/2000 |
| WO | D053490-004 | | 9/2000 |
| WO | 0168210 | A2 | 9/2001 |
| WO | 0205918 | A1 | 1/2002 |
| WO | 2010023652 | A1 | 3/2010 |
| WO | 2011153598 | A1 | 12/2011 |

* cited by examiner

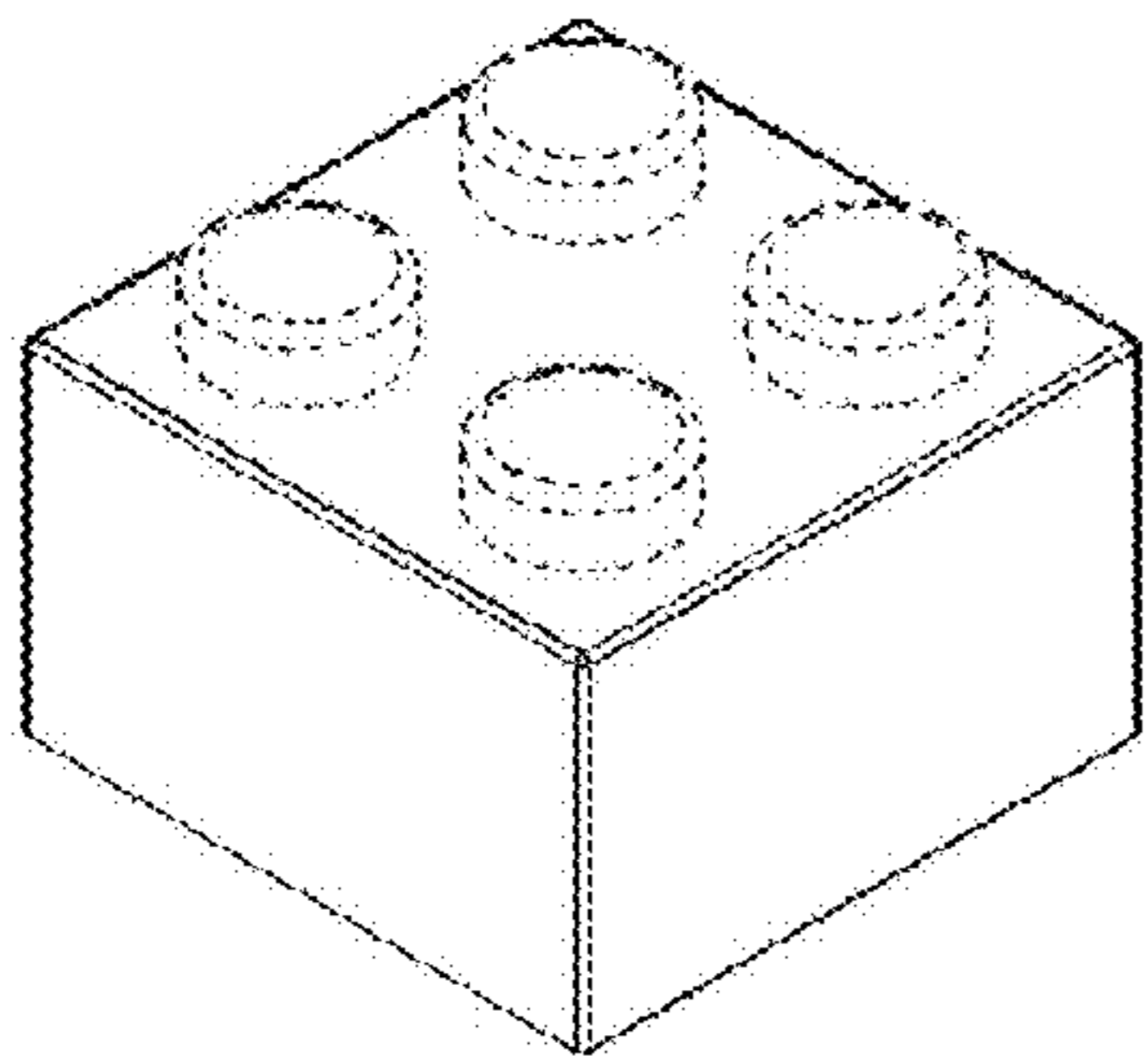


FIG. 1

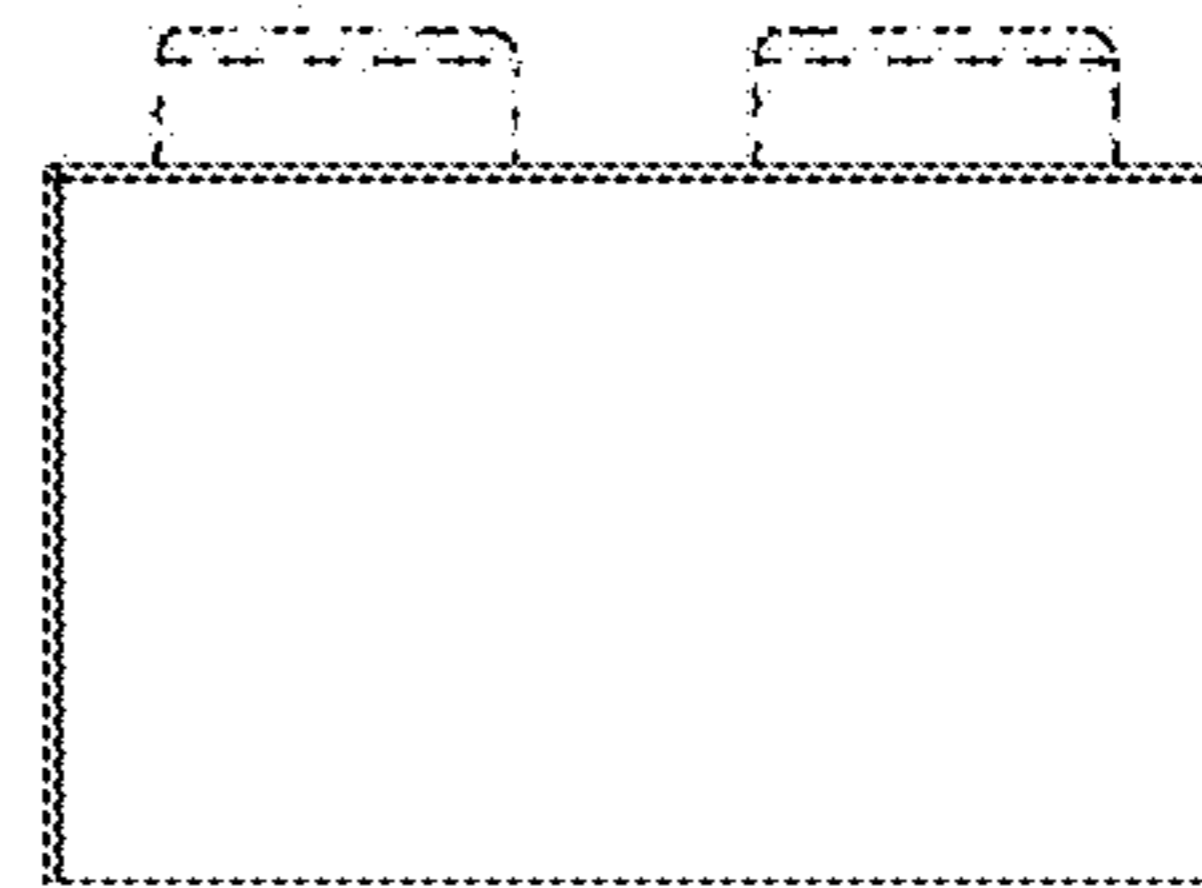


FIG. 2

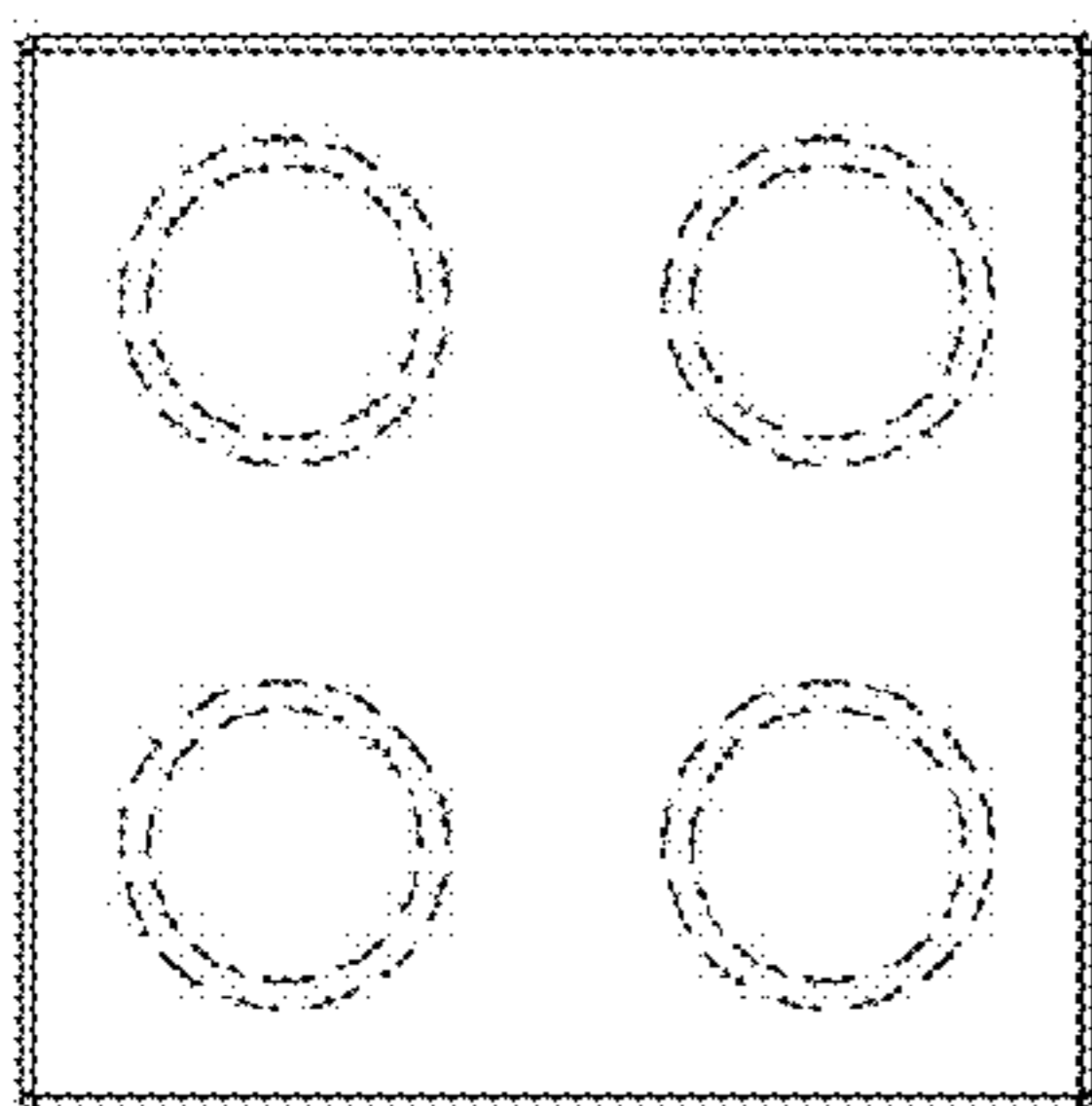


FIG. 3

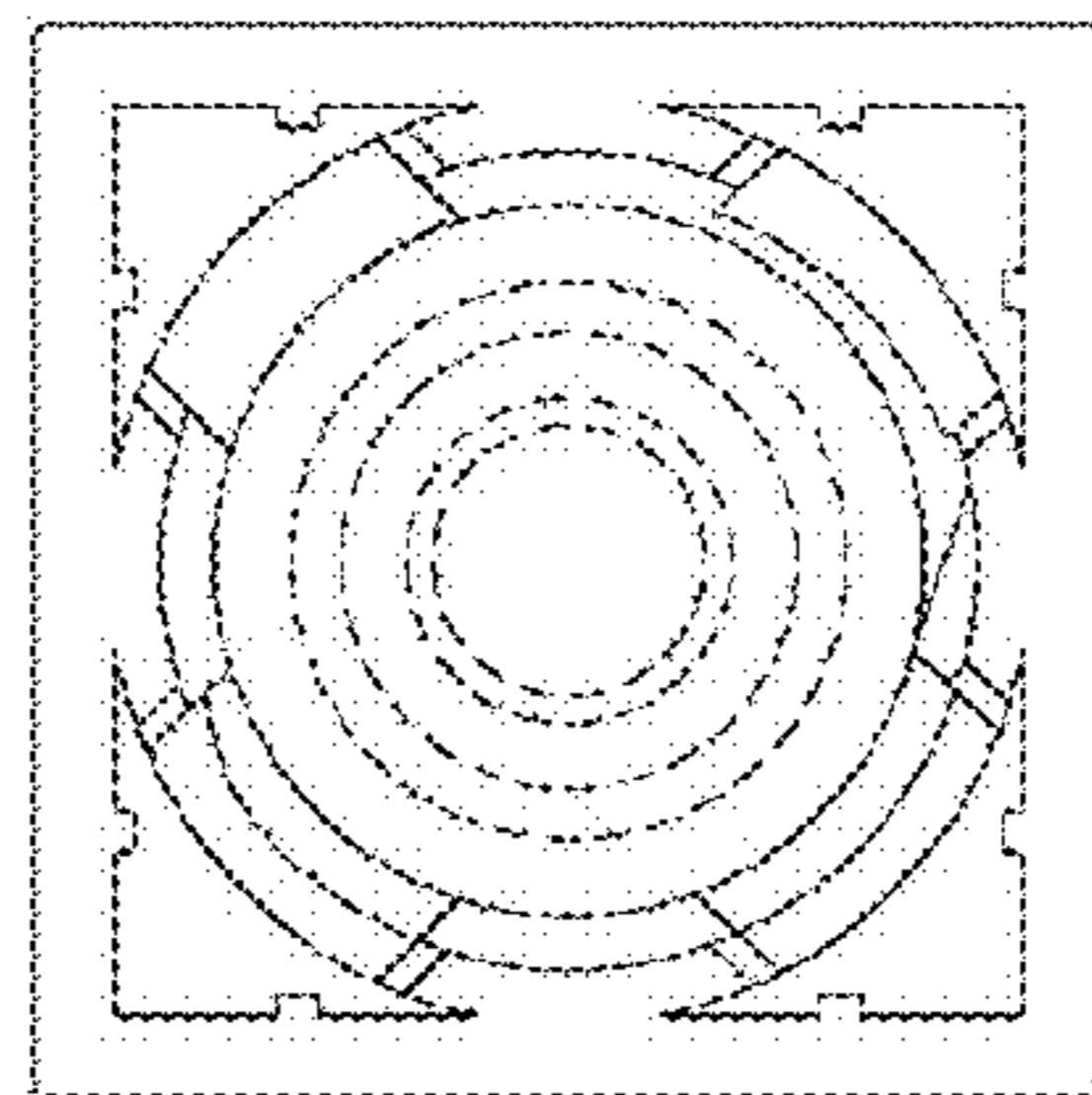


FIG. 4

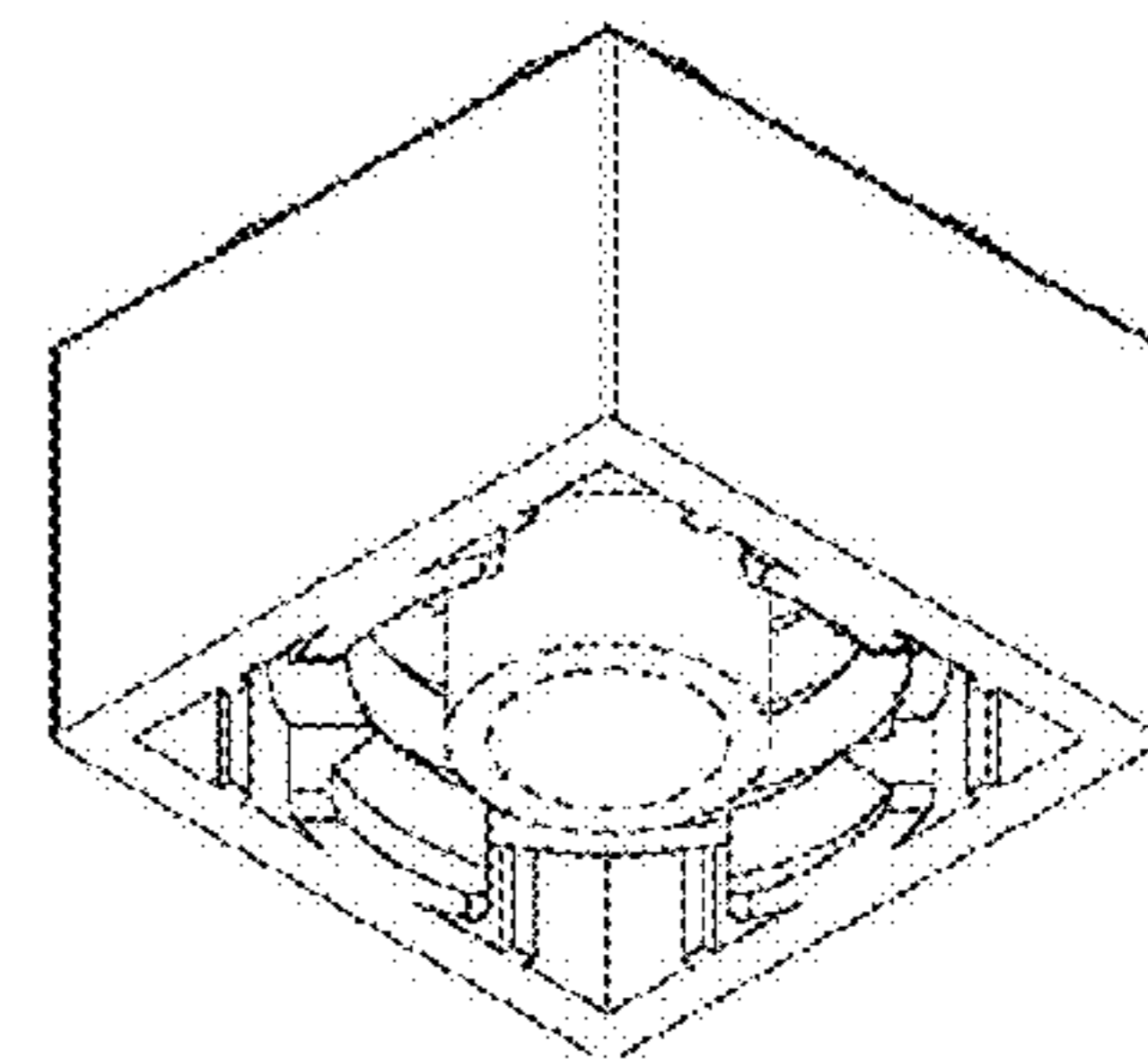


FIG. 5

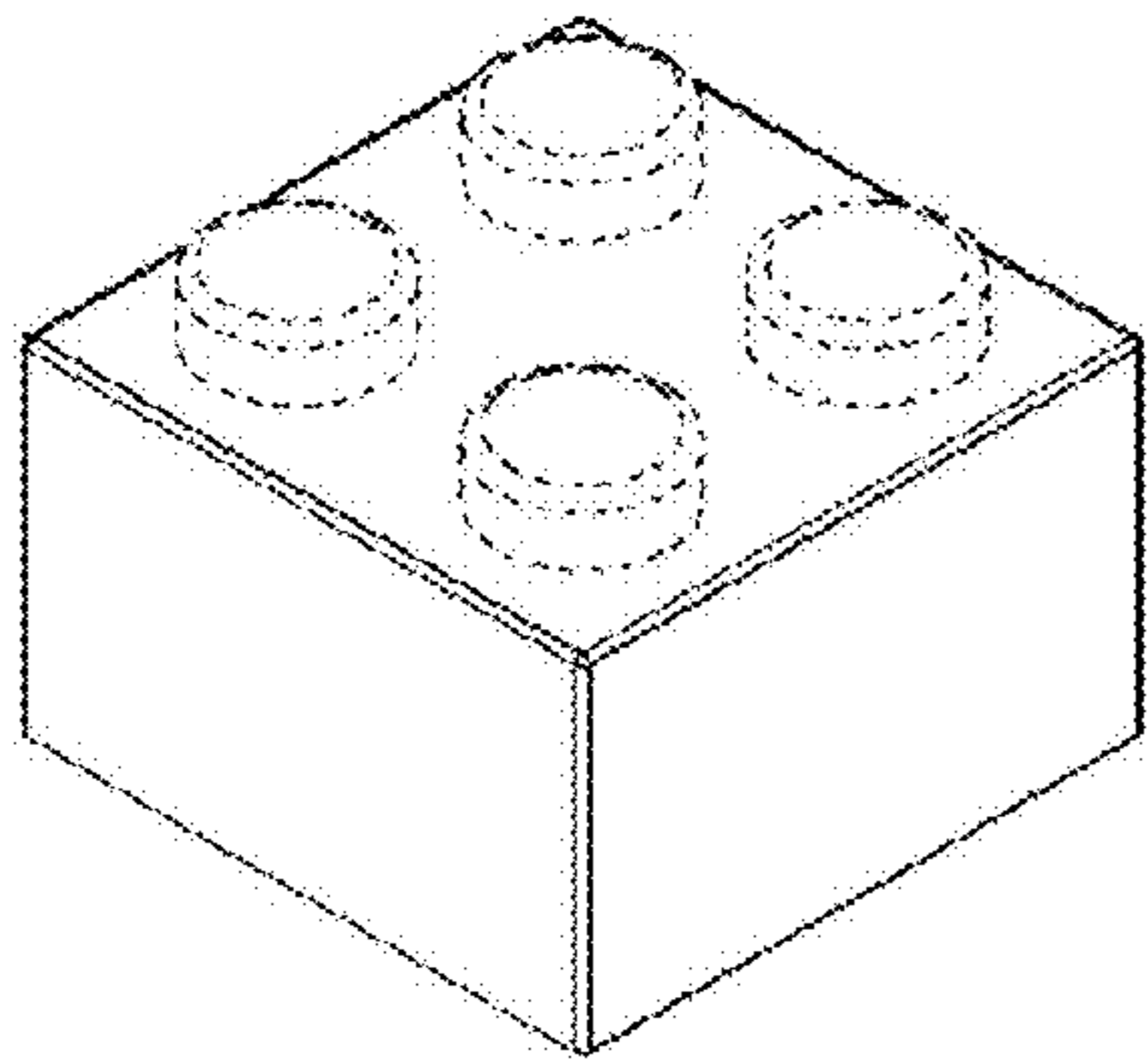


FIG. 6

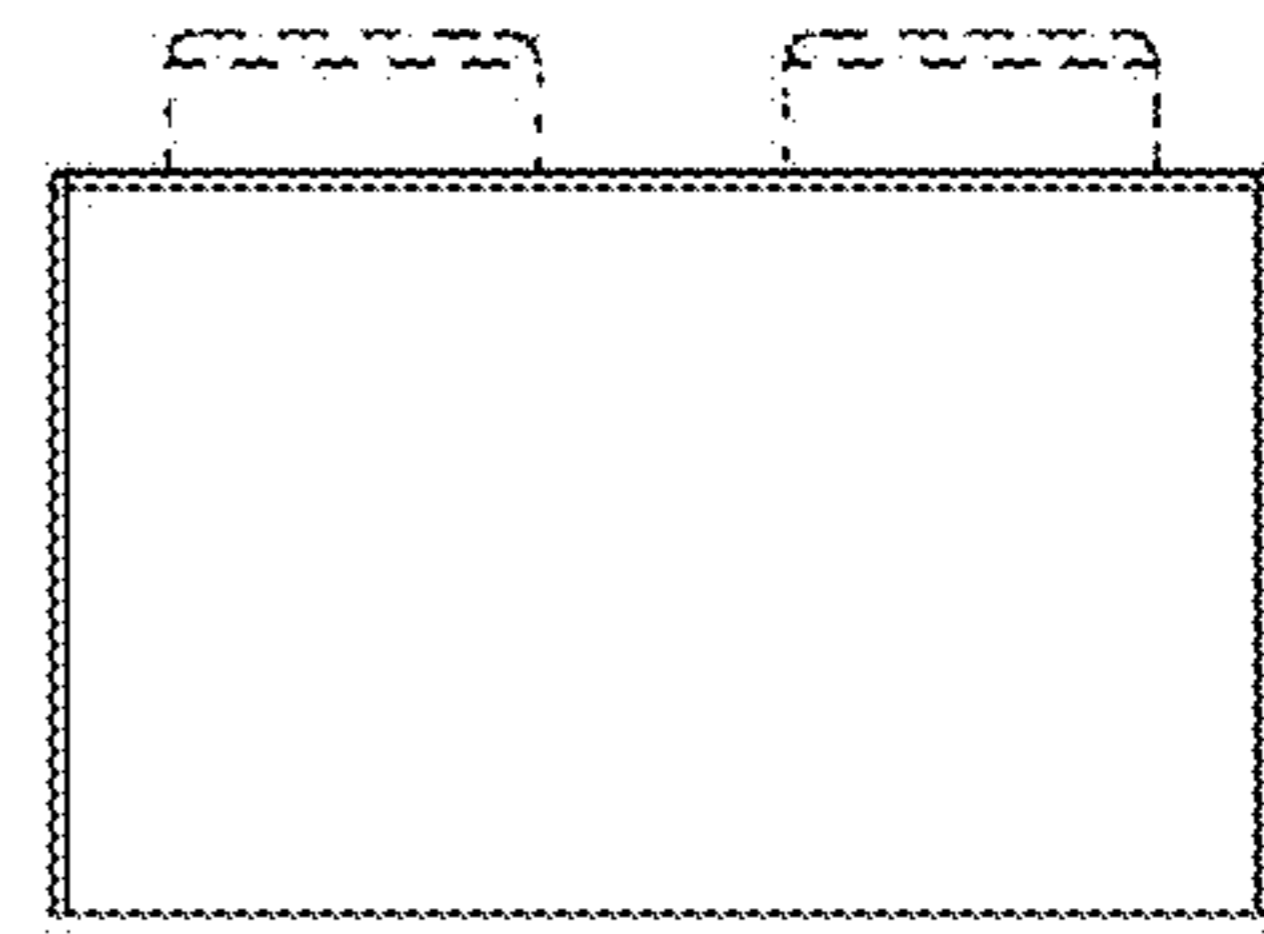


FIG. 7

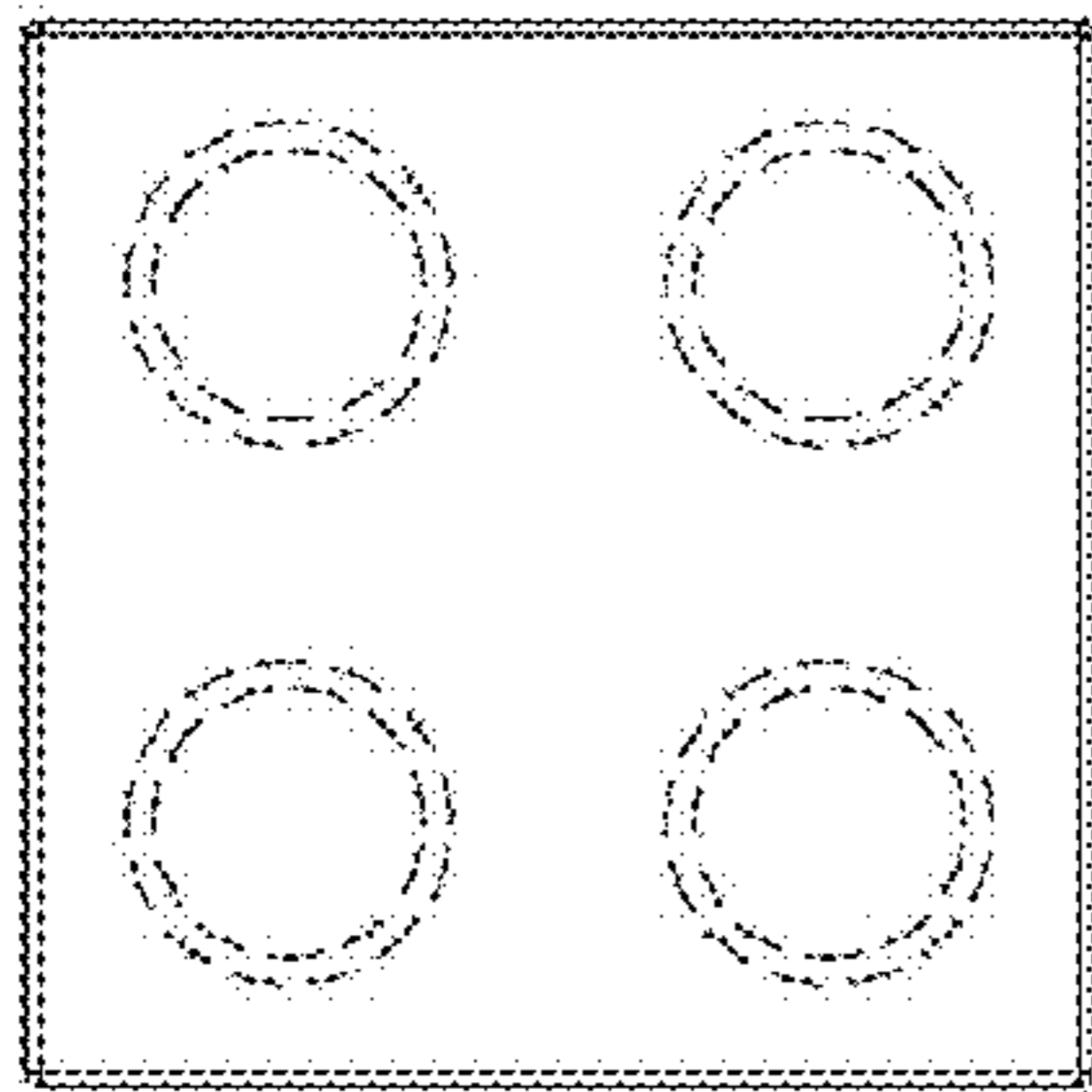


FIG. 8

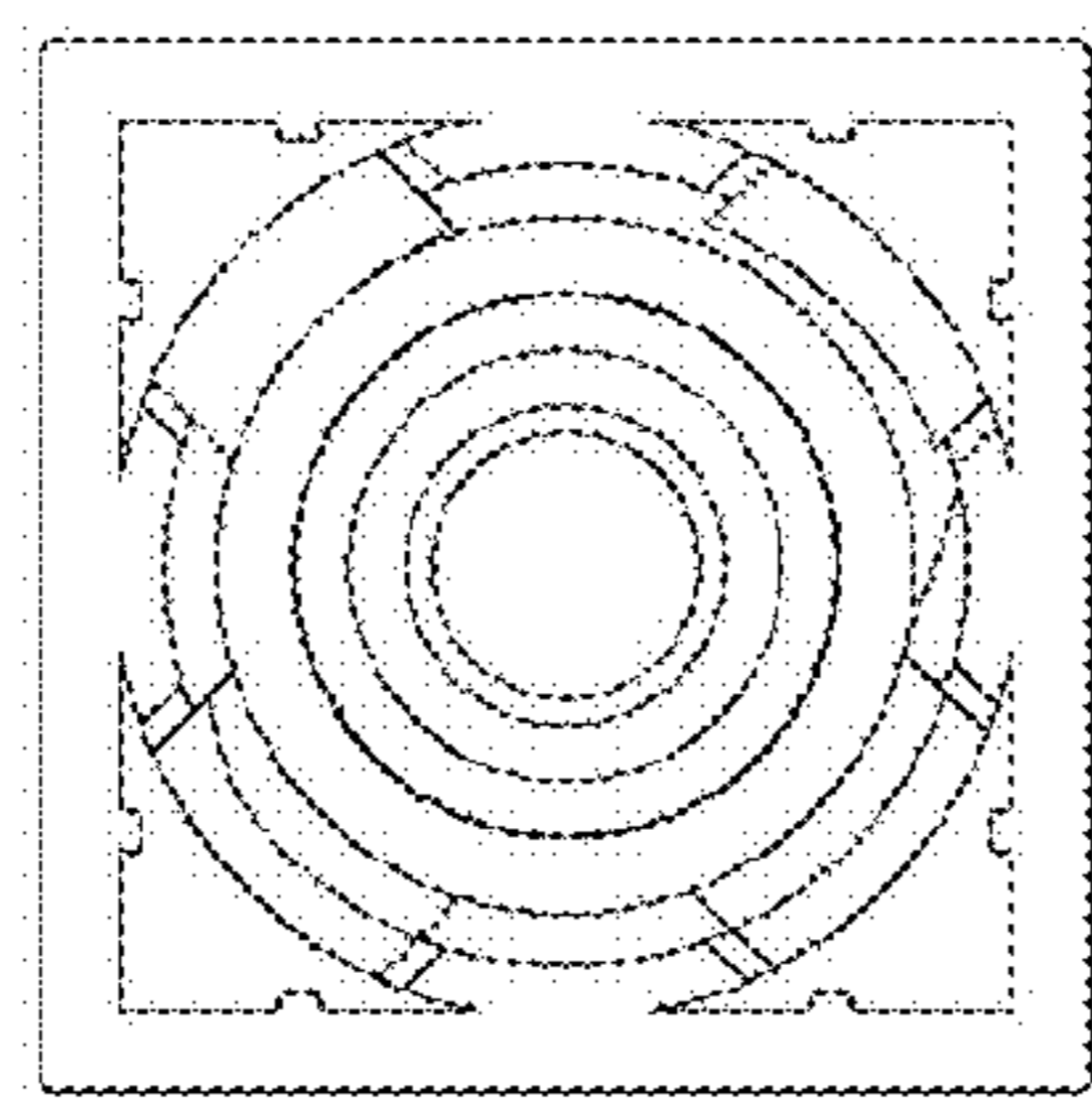


FIG. 9

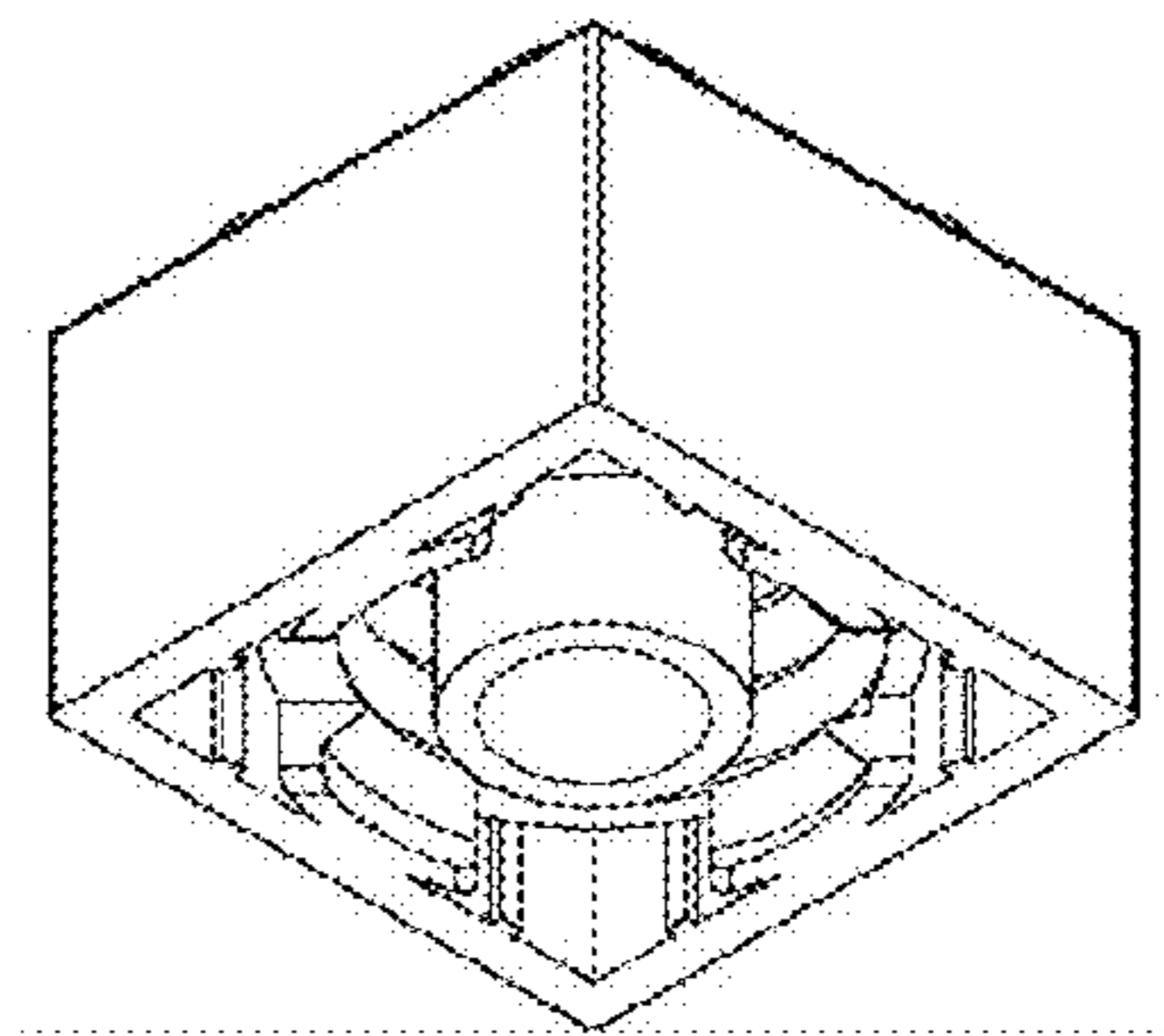


FIG. 10

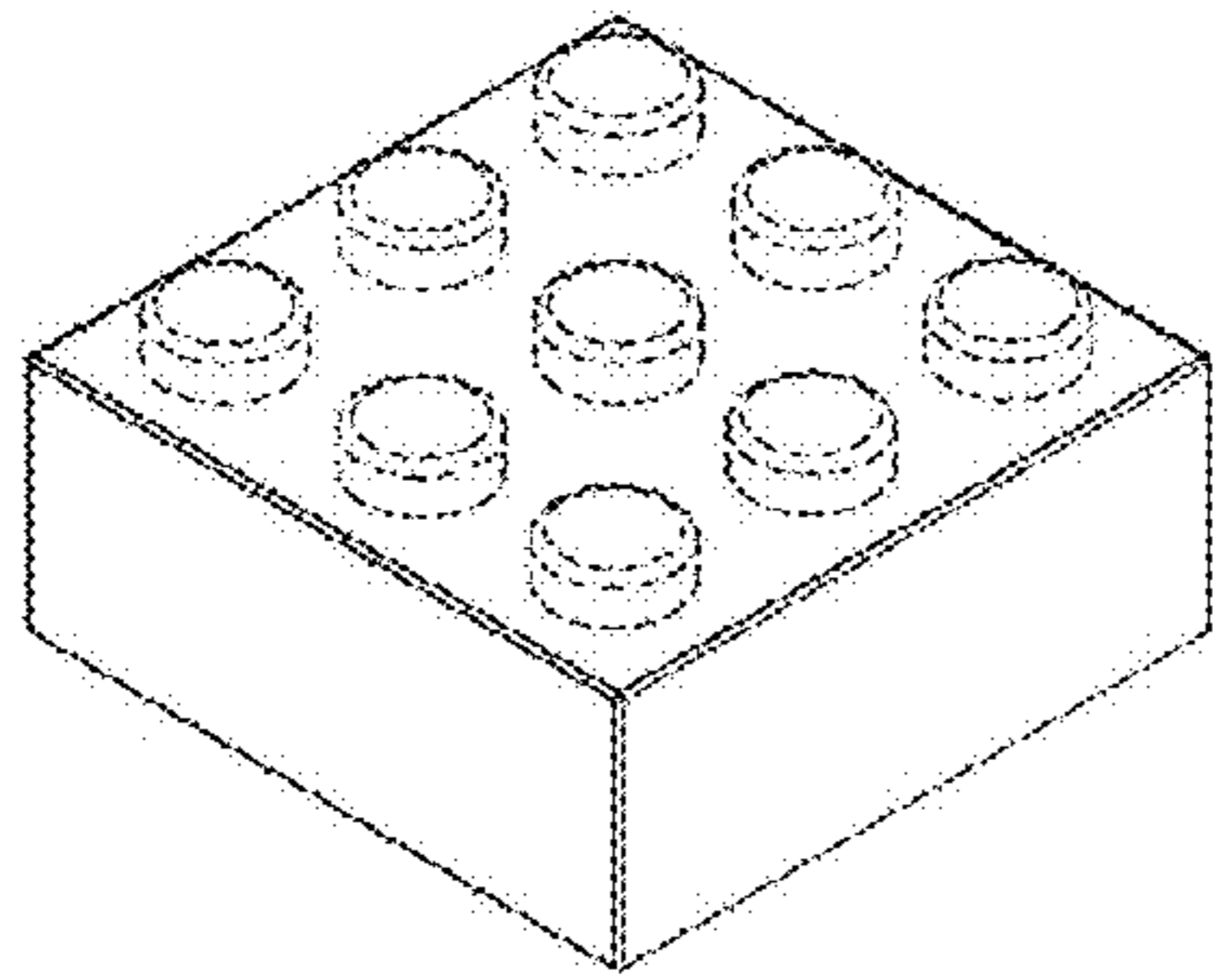


FIG. 11



FIG. 12

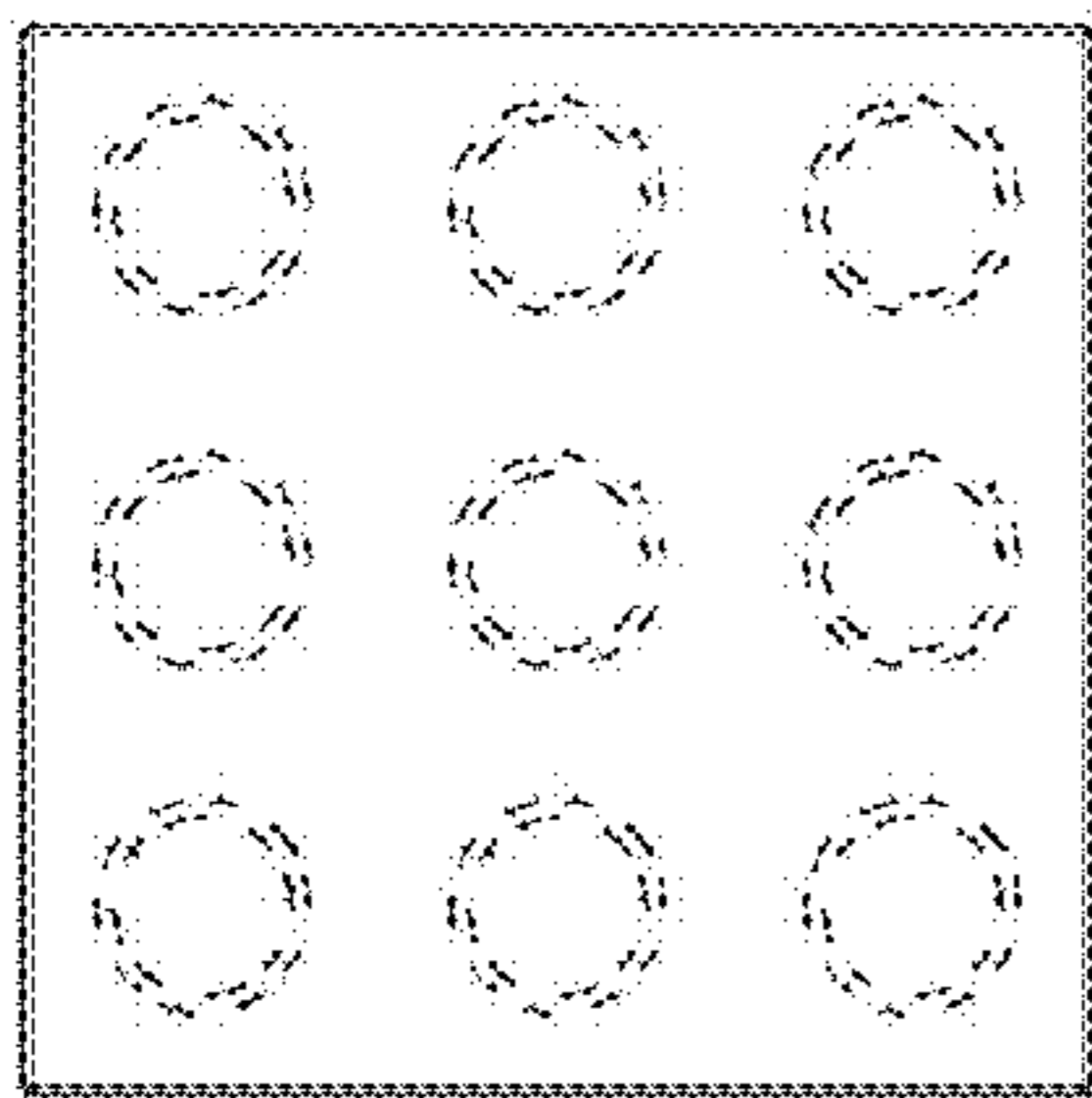


FIG. 13

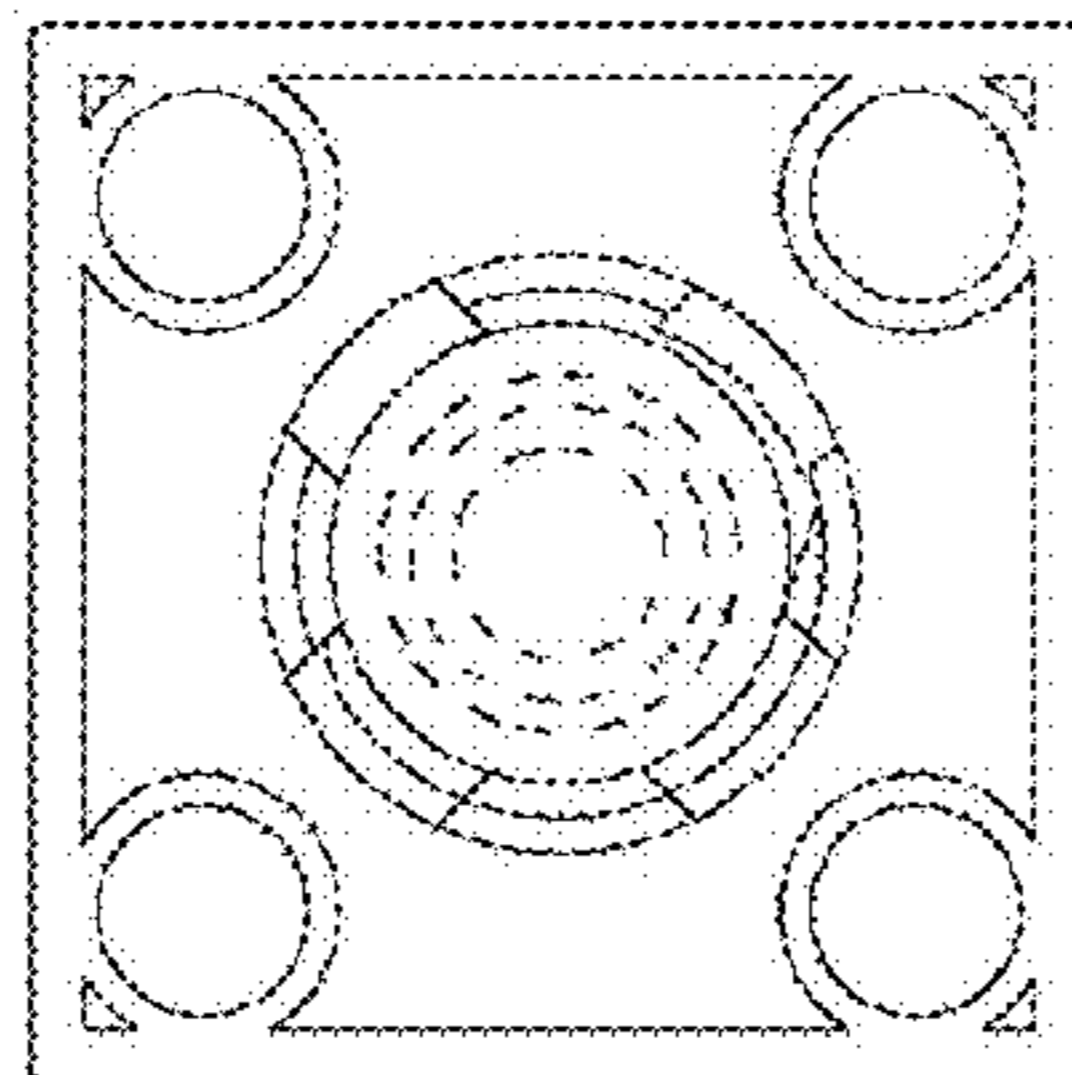


FIG. 14

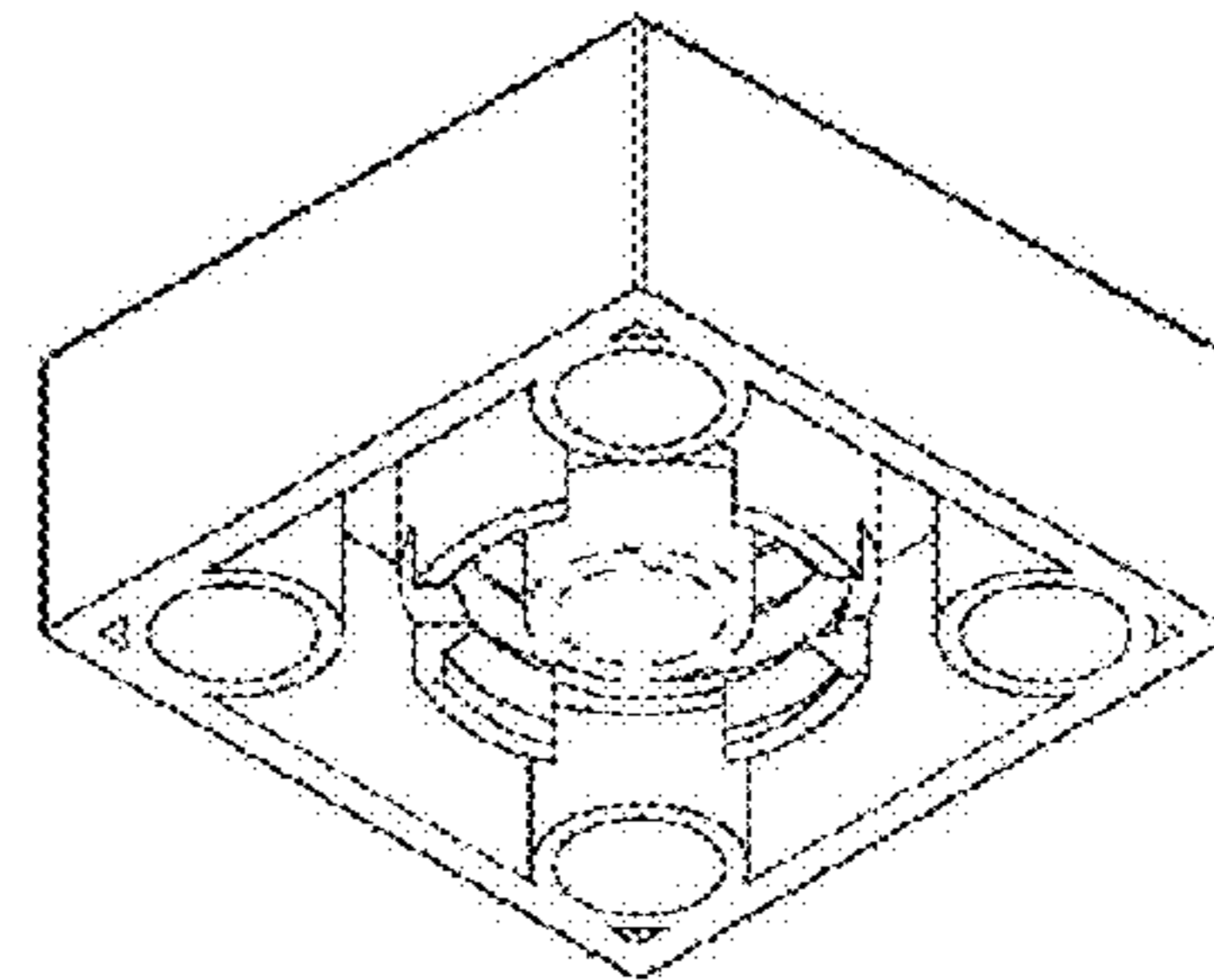


FIG. 15

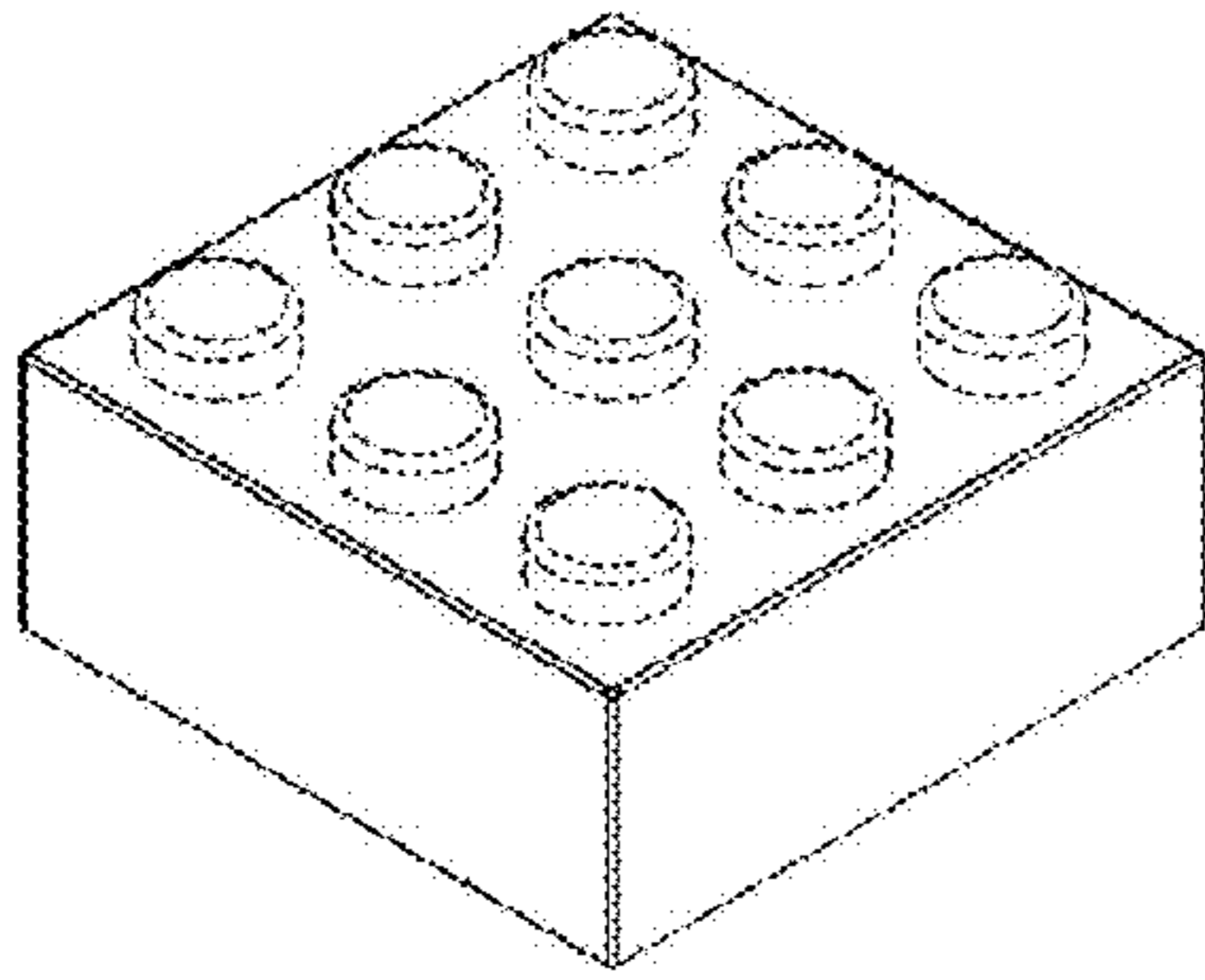


FIG. 16

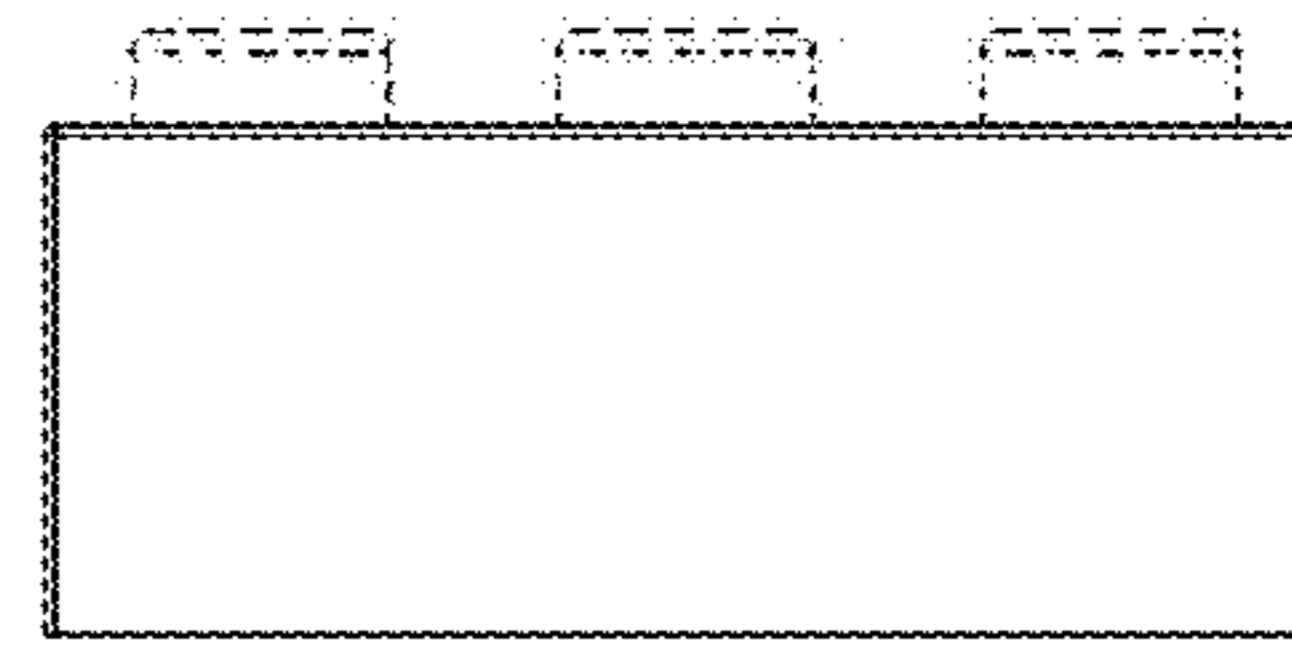


FIG. 17

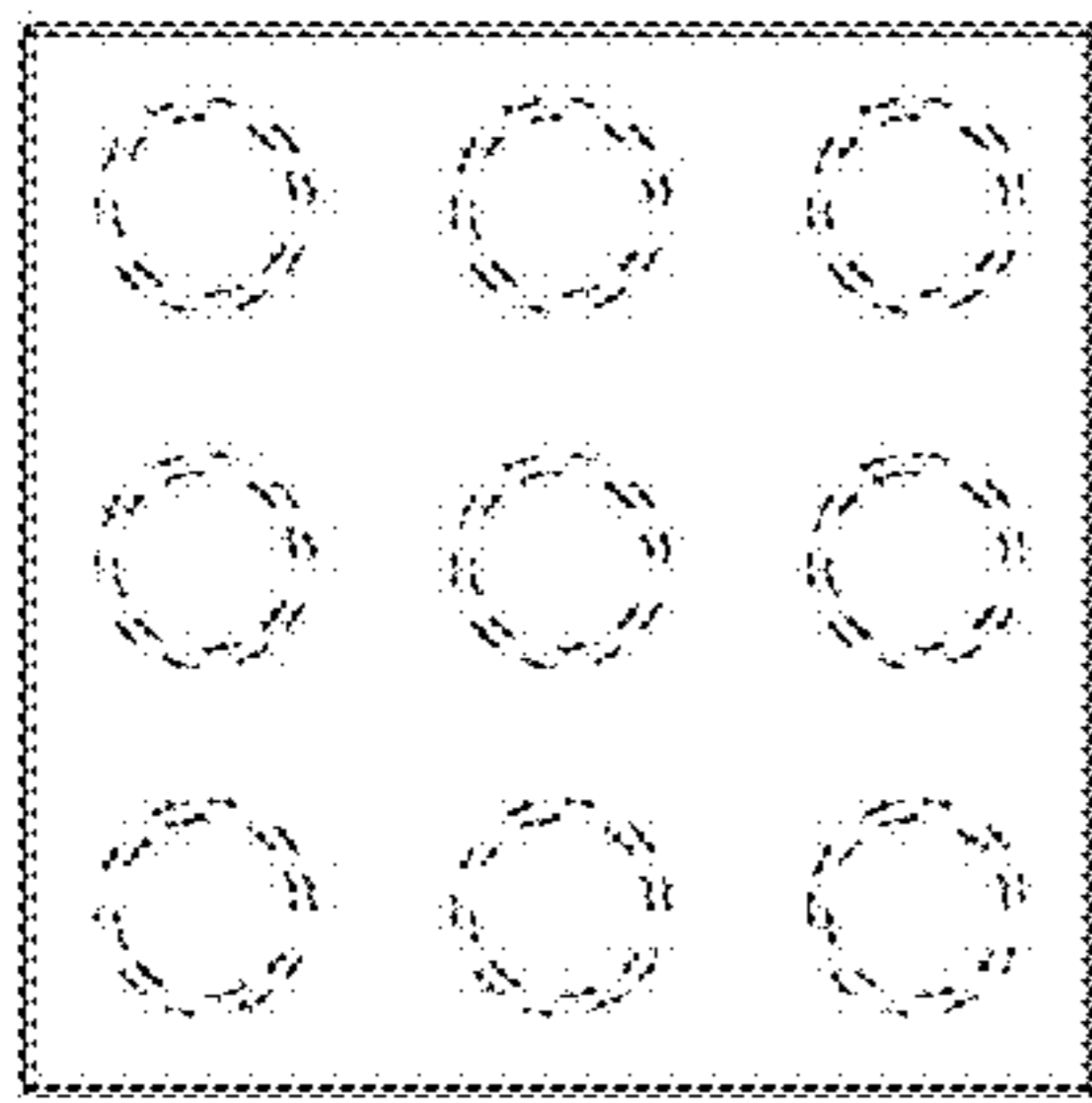


FIG. 18

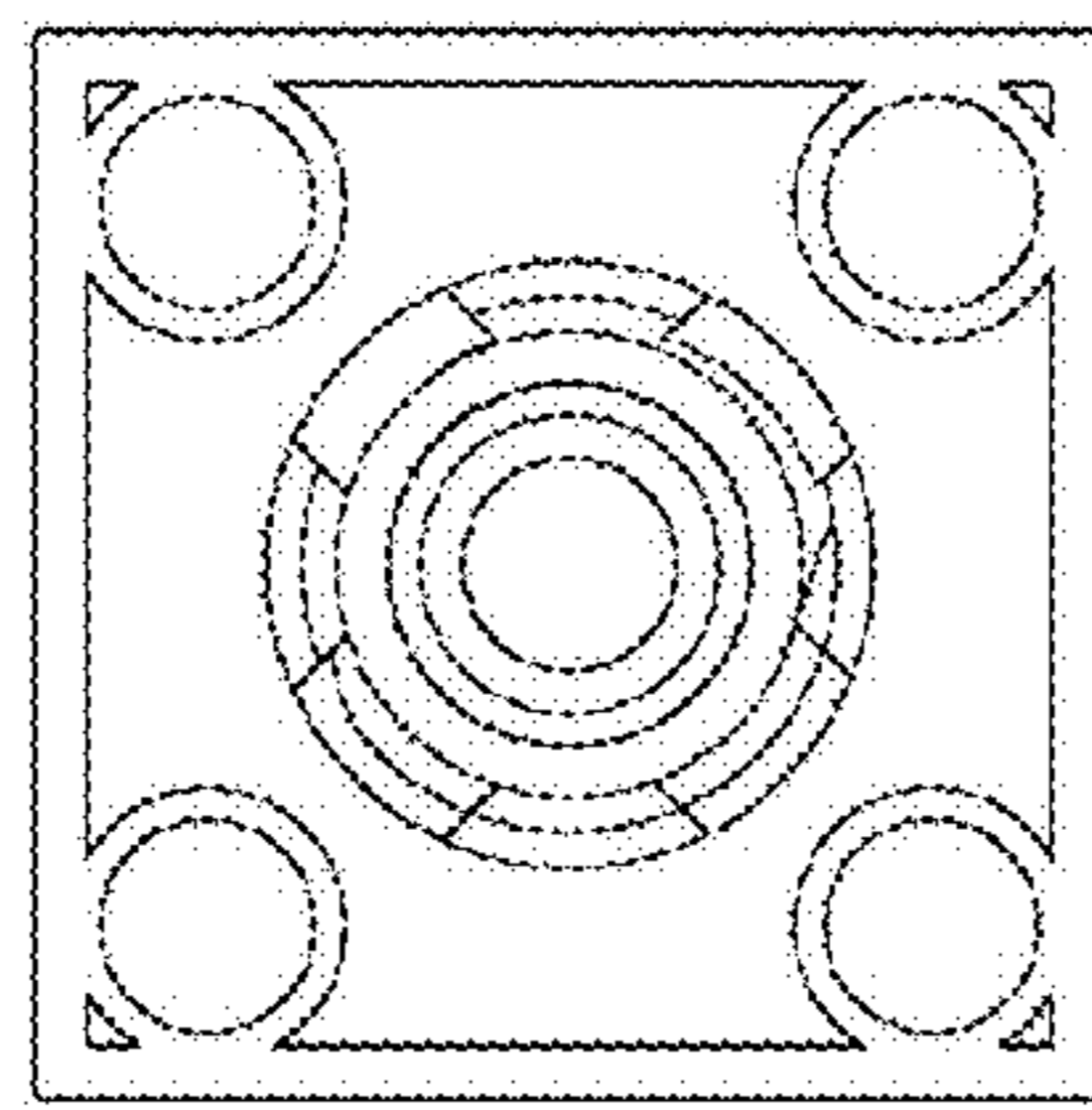


FIG. 19

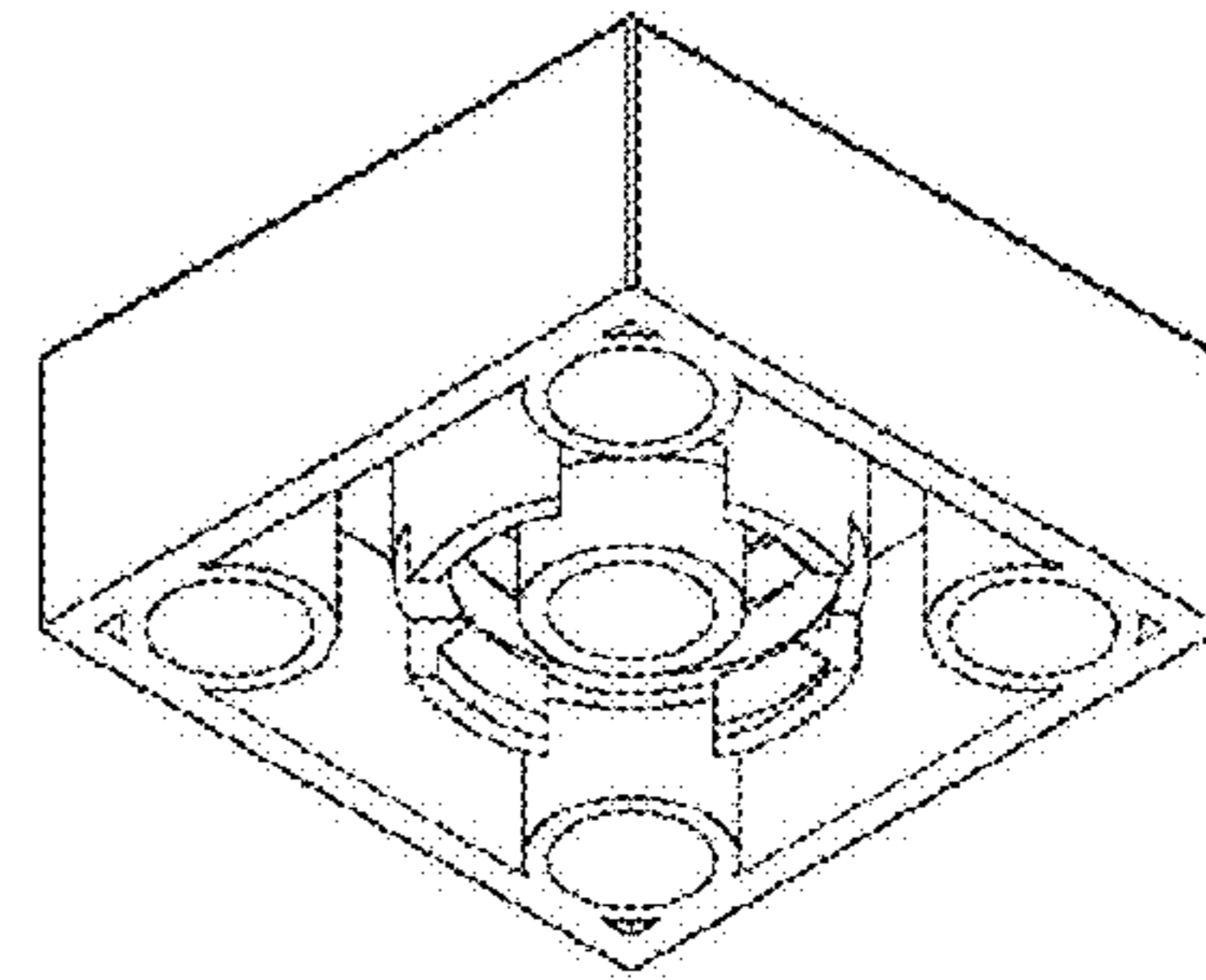


FIG. 20