



US00D748980S

(12) **United States Design Patent**
Vollers et al.

(10) **Patent No.:** **US D748,980 S**
(45) **Date of Patent:** **** Feb. 9, 2016**

(54) **CAP WITH PROJECTIONS**

8,187,050 B1 5/2012 Sorensen
D683,625 S 6/2013 Miranda De Araujo et al.
2010/0102020 A1 4/2010 Sebille et al.

(71) Applicant: **Vilma da Silva Araujo Baptista**, Rio de Janeiro (BR)

FOREIGN PATENT DOCUMENTS

(72) Inventors: **Claudio Patrick Vollers**, Rio de Janeiro (BR); **Henry J. Suzuki**, Sao Paulo (BR)

BR	7002428	U	2/1991
BR	7002429	U	2/1991
BR	7002250	U	5/1992
BR	7002421	U	7/1992
BR	7002422	U	7/1992
BR	7002423	U	7/1992
BR	7002424	U	7/1992
BR	7002425	U	7/1992
BR	7002426	U	7/1992
BR	7002427	U	7/1992
BR	7002430	U	7/1992
BR	9802607	A	6/2005
BR	PI0802245	A2	9/2009
BR	302013004810		9/2013
BR	302013004811		9/2013
BR	302013004812		9/2013
CN	201230100649		9/2012
CN	201230100653		5/2013
CN	201230375545		5/2013
CN	201230375582		5/2013
CN	201230375583		5/2013
CN	201230375807		5/2013
CN	201230376001		5/2013
DE	2242046	A1	2/1974
DE	8003690	U1	5/1980
EP	2489605	A1	8/2012
GB	2410493	A	8/2005
WO	9936332	A1	7/1999
WO	9948582	A1	9/1999
WO	9967151	A1	12/1999
WO	0055063	A1	9/2000
WO	D053490-002		9/2000
WO	D053490-003		9/2000
WO	D053490-004		9/2000
WO	0168210	A2	9/2001
WO	0205918	A1	1/2002
WO	2010023652	A1	3/2010
WO	2011153598	A1	12/2011

(73) Assignee: **Vilma da Silva Araujo Baptista**, Rio de Janeiro (BR)

(**) Term: **14 Years**

(21) Appl. No.: **29/467,545**

(22) Filed: **Sep. 20, 2013**

(51) **LOC (10) Cl.** **09-07**

(52) **U.S. Cl.**
USPC **D9/436**

(58) **Field of Classification Search**
USPC D9/414, 432, 434, 435, 441, 443, 445,
D9/449, 450, 452, 453, 454, 636, 640;
D21/484, 500; 446/75, 76, 77, 118;
D3/270, 271; 273/156, 160; 206/457,
206/511; 220/270-276; 215/209, 217-223,
215/228
CPC A63H 33/086; B65D 81/36; B65D 81/365
See application file for complete search history.

(56) **References Cited**

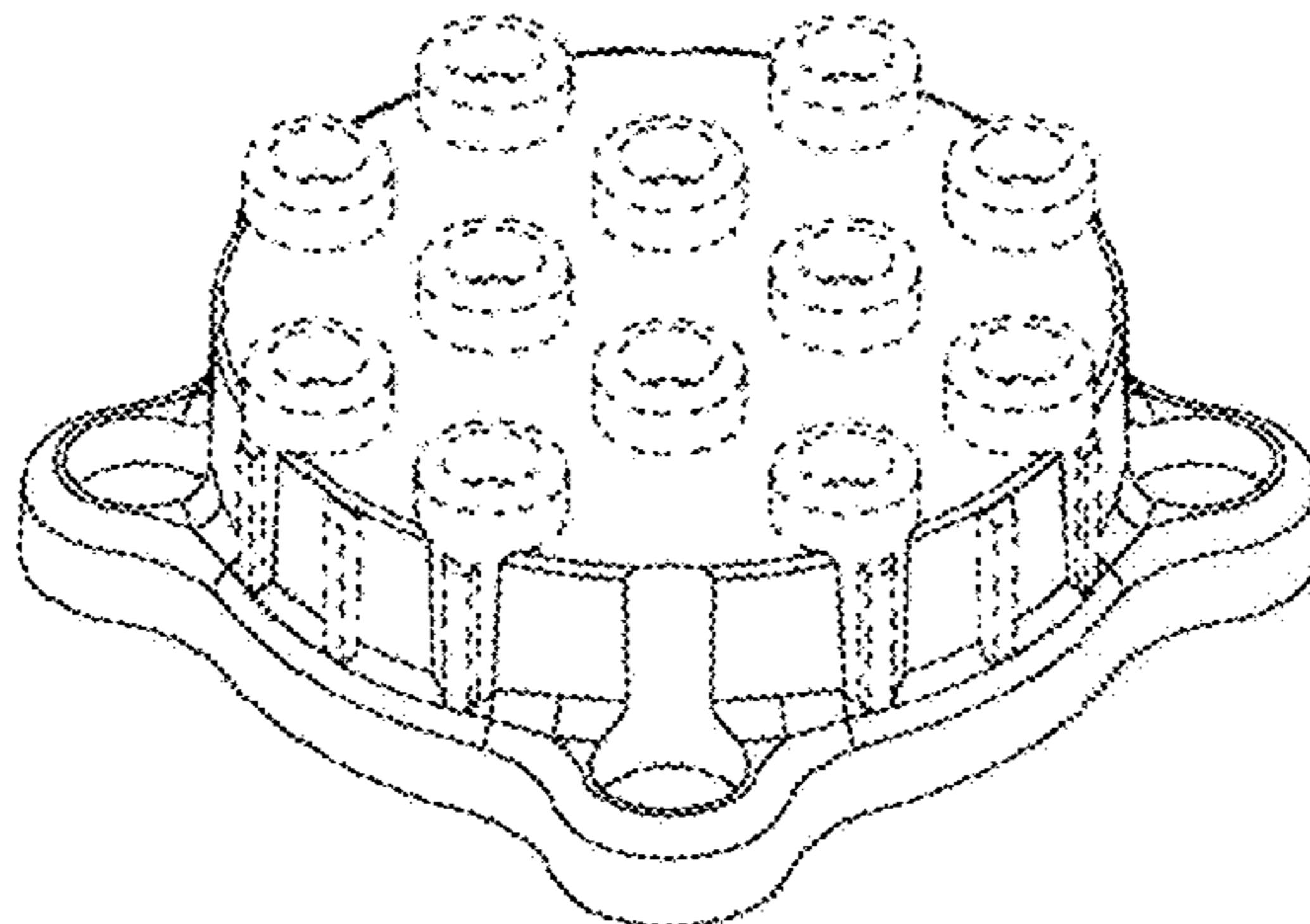
U.S. PATENT DOCUMENTS

3,487,579	A *	1/1970	Brettingen	446/128
3,597,875	A	8/1971	Christiansen	
3,713,247	A	1/1973	Parrilla	
4,202,456	A	5/1980	Silber	
4,964,833	A	10/1990	Suzuki	
5,361,919	A	11/1994	Hull et al.	
D397,938	S *	9/1998	Graham et al.	D9/454
6,050,044	A	4/2000	McIntosh	
6,086,444	A *	7/2000	Glickman	446/124
6,296,541	B1 *	10/2001	Bezalel et al.	446/105
D469,693	S *	2/2003	Weiss et al.	D9/452
6,702,642	B1 *	3/2004	Parein	446/105
8,105,128	B1 *	1/2012	Sorensen et al.	446/128

OTHER PUBLICATIONS

Design U.S. Appl. No. 29/467,577, filed Sep. 20, 2013.

* cited by examiner



Primary Examiner — Robert M Spear

(74) *Attorney, Agent, or Firm* — Carter, DeLuca, Farrell & Schmidt, LLP

(57)

CLAIM

The ornamental design for a cap with projections, as shown and described.

DESCRIPTION

FIG. 1 is a front perspective view of a cap with projections in accordance with the present design;

FIG. 2 is a front elevational view thereof, the rear, right and left side elevational views being identical to the front elevational view;

FIG. 3 is a top plan view thereof;

FIG. 4 is a bottom perspective view thereof;

FIG. 5 is a front perspective view of an alternative embodiment in accordance with the present design;

FIG. 6 is a front elevational view of the alternative embodiment illustrated in FIG. 5, the rear, right and left side elevational views being identical to the front elevational view;

FIG. 7 is a top plan view of the alternative embodiment illustrated in FIG. 5;

FIG. 8 is a bottom perspective view of the alternative embodiment illustrated in FIG. 5;

FIG. 9 is a front perspective view of a third embodiment in accordance with the present design;

FIG. 10 is a front elevational view of the third embodiment illustrated in FIG. 9, the rear, right and left side elevational views being identical to the front elevational view;

FIG. 11 is a top plan view of the third embodiment illustrated in FIG. 9;

FIG. 12 is a bottom perspective view of the third embodiment illustrated in FIG. 9;

FIG. 13 is a front perspective view of a fourth embodiment in accordance with the present design;

FIG. 14 is a front elevational view of the fourth embodiment illustrated in FIG. 13, the rear, right and left side elevational views being identical to the front elevational view;

FIG. 15 is a top plan view of the fourth embodiment illustrated in FIG. 13;

FIG. 16 is a bottom plan view of the fourth embodiment illustrated in FIG. 13;

FIG. 17 is a bottom perspective view of the fourth embodiment illustrated in FIG. 13;

FIG. 18 is a front perspective view of a fifth embodiment in accordance with the present design;

FIG. 19 is a front elevational view of the fifth embodiment illustrated in FIG. 18, the rear, right and left side elevational views being identical to the front elevational view;

FIG. 20 is a top plan view of the fifth embodiment illustrated in FIG. 18;

FIG. 21 is a bottom plan view of the fifth embodiment illustrated in FIG. 18;

FIG. 22 is a bottom perspective view of the fifth embodiment illustrated in FIG. 18;

FIG. 23 is a front perspective view of a sixth embodiment in accordance with the present design;

FIG. 24 is a front elevational view of the sixth embodiment illustrated in FIG. 23, the rear, right and left side elevational views being identical to the front elevational view;

FIG. 25 is a top plan view of the sixth embodiment illustrated in FIG. 23;

FIG. 26 is a bottom plan view of the sixth embodiment illustrated in FIG. 23; and,

FIG. 27 is a bottom perspective view of the sixth embodiment illustrated in FIG. 23.

The broken lines shown are included for the purpose of illustrating portions of the cap with projections that form no part of the claimed design.

1 Claim, 12 Drawing Sheets

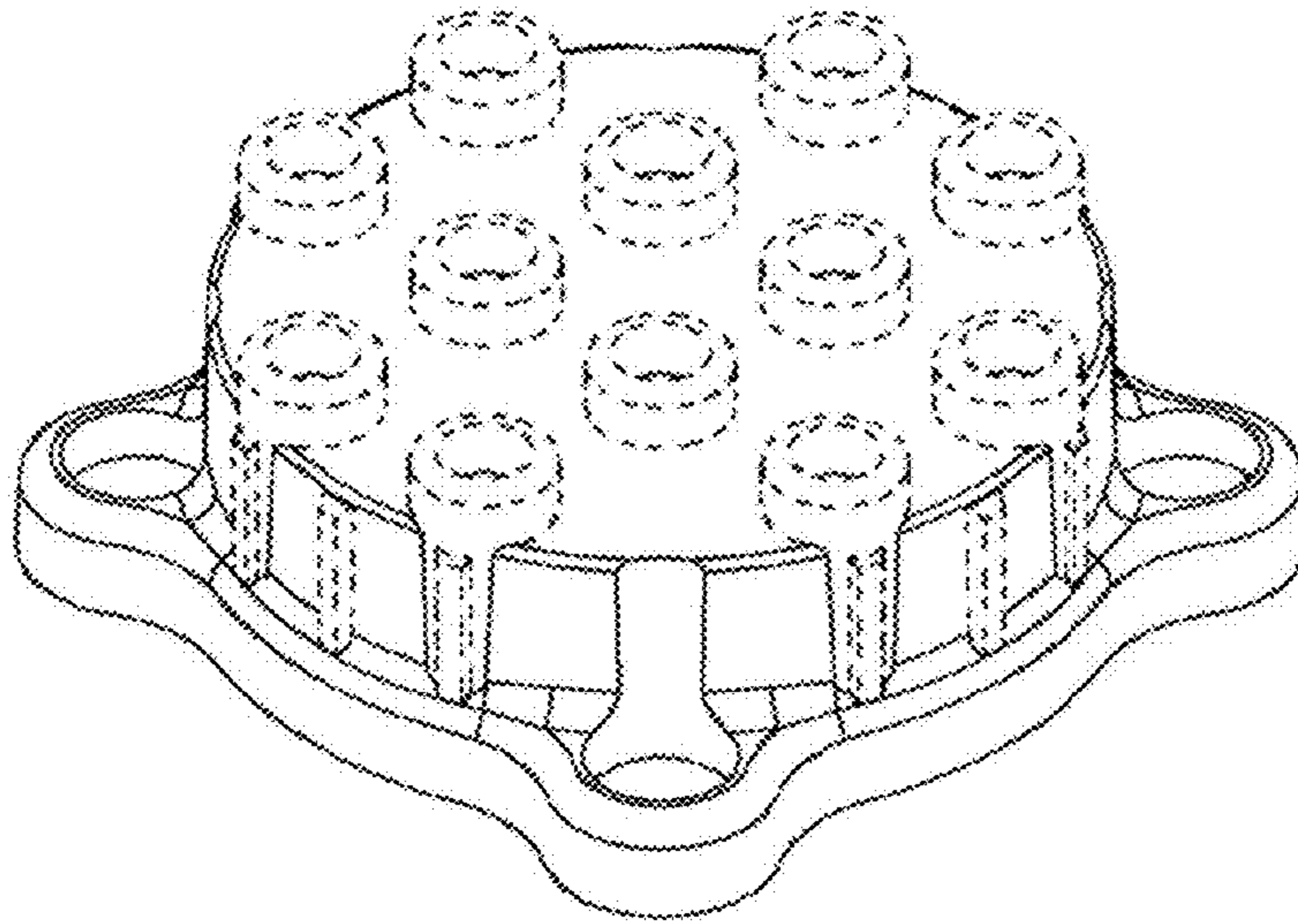


FIG. 1

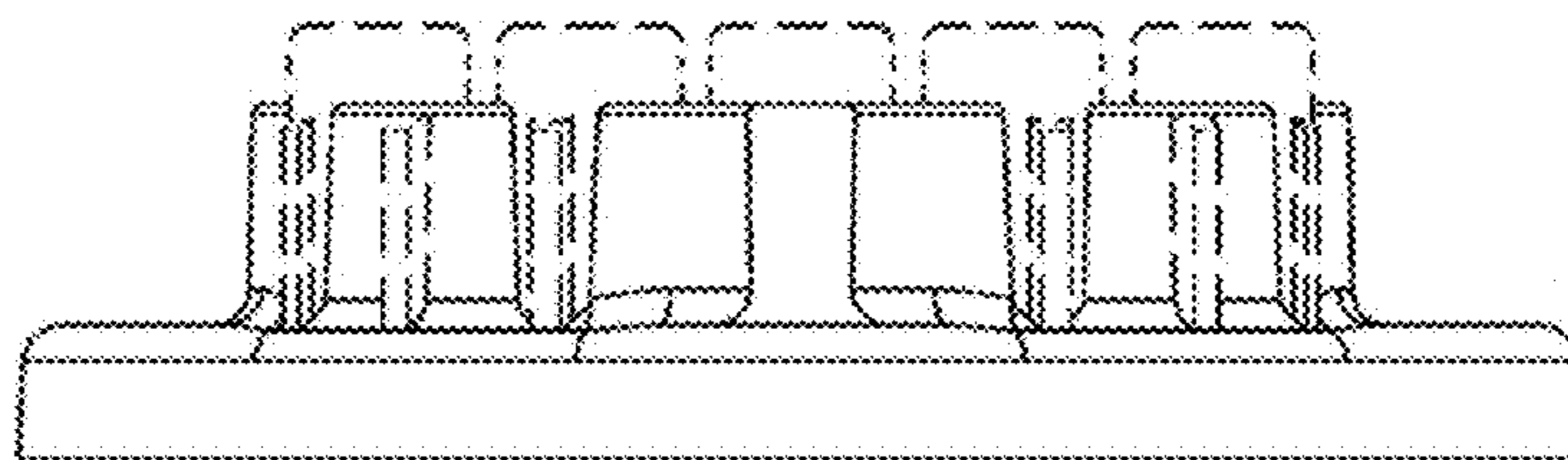


FIG. 2

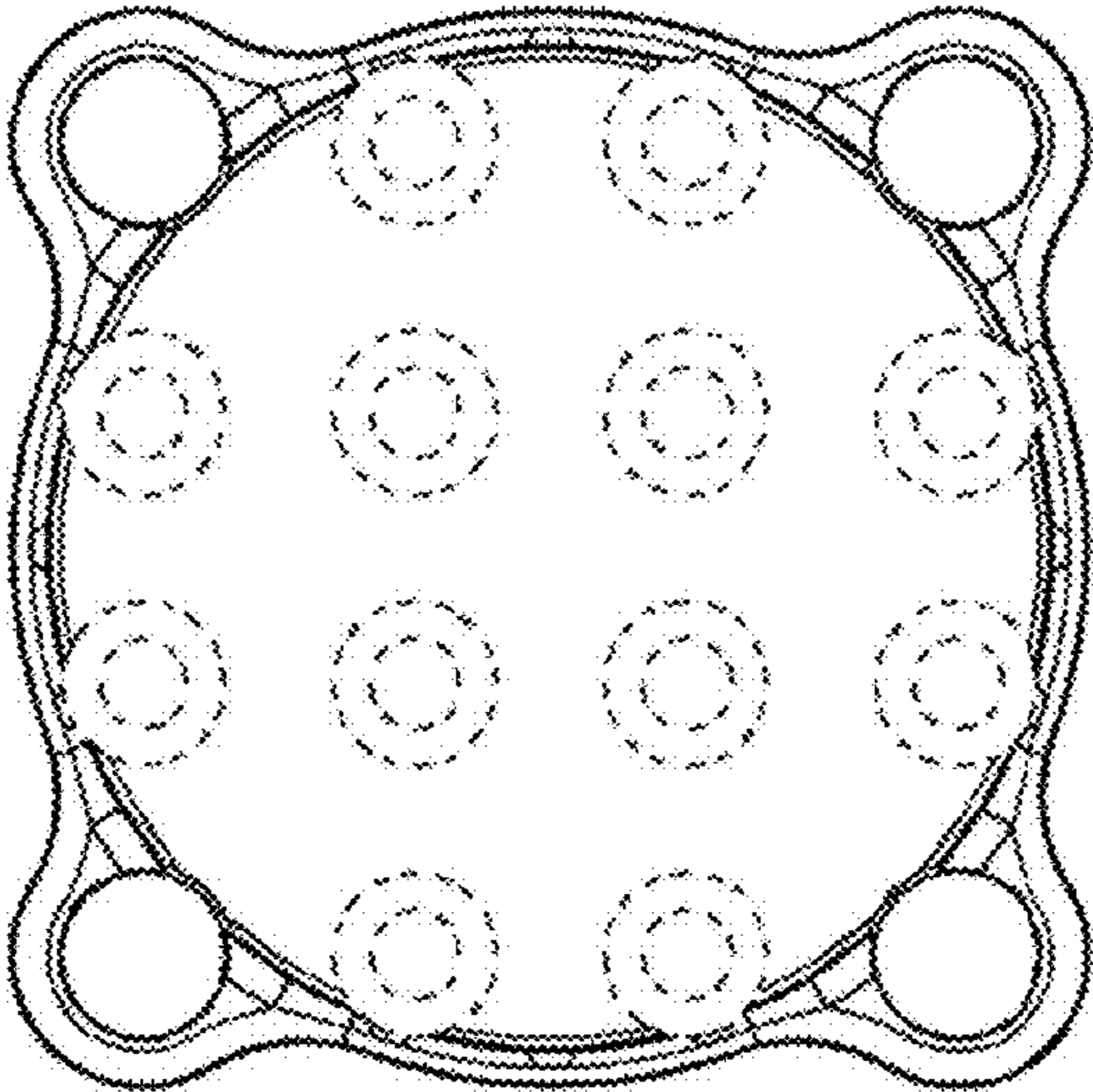


FIG. 3

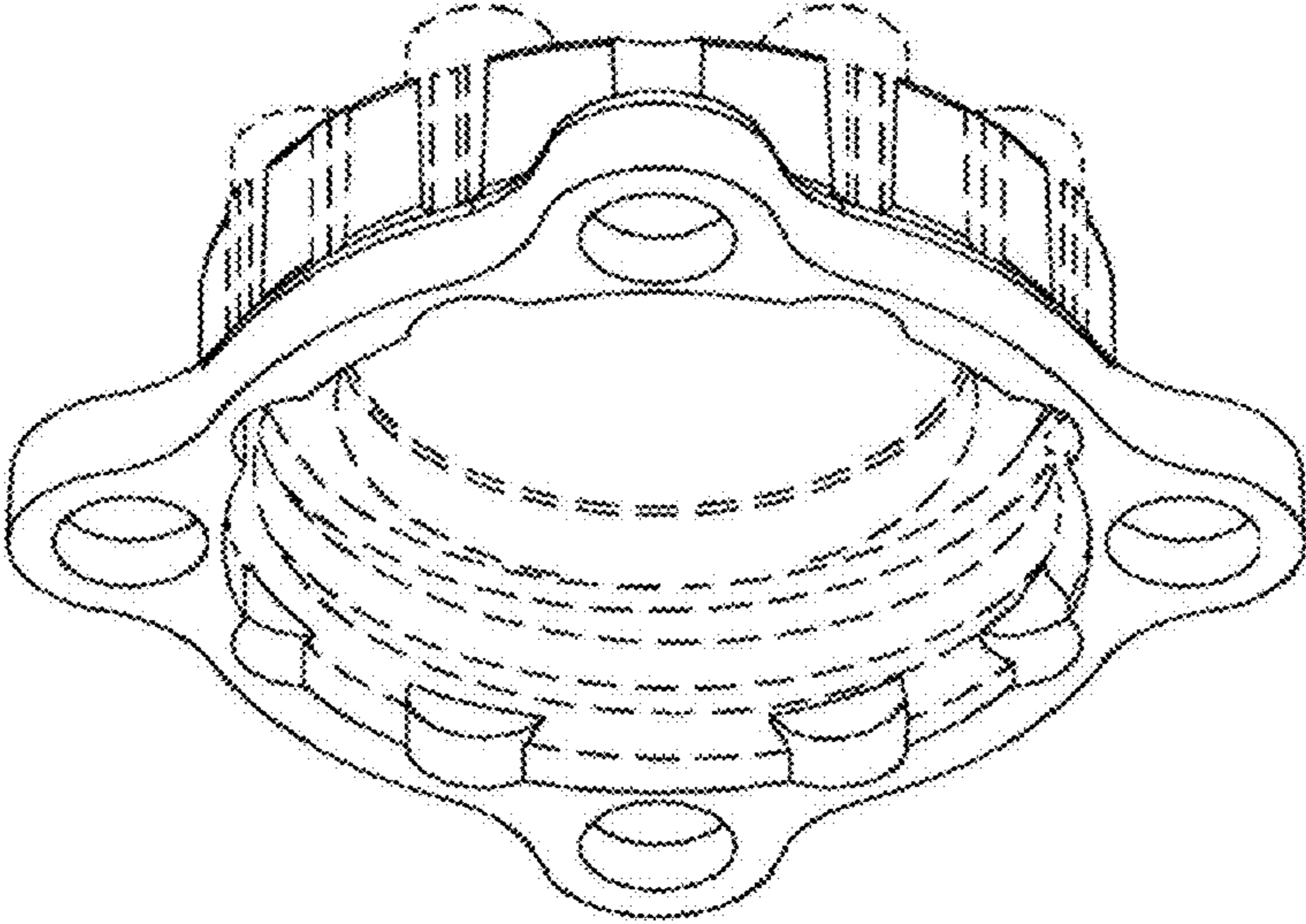


FIG. 4

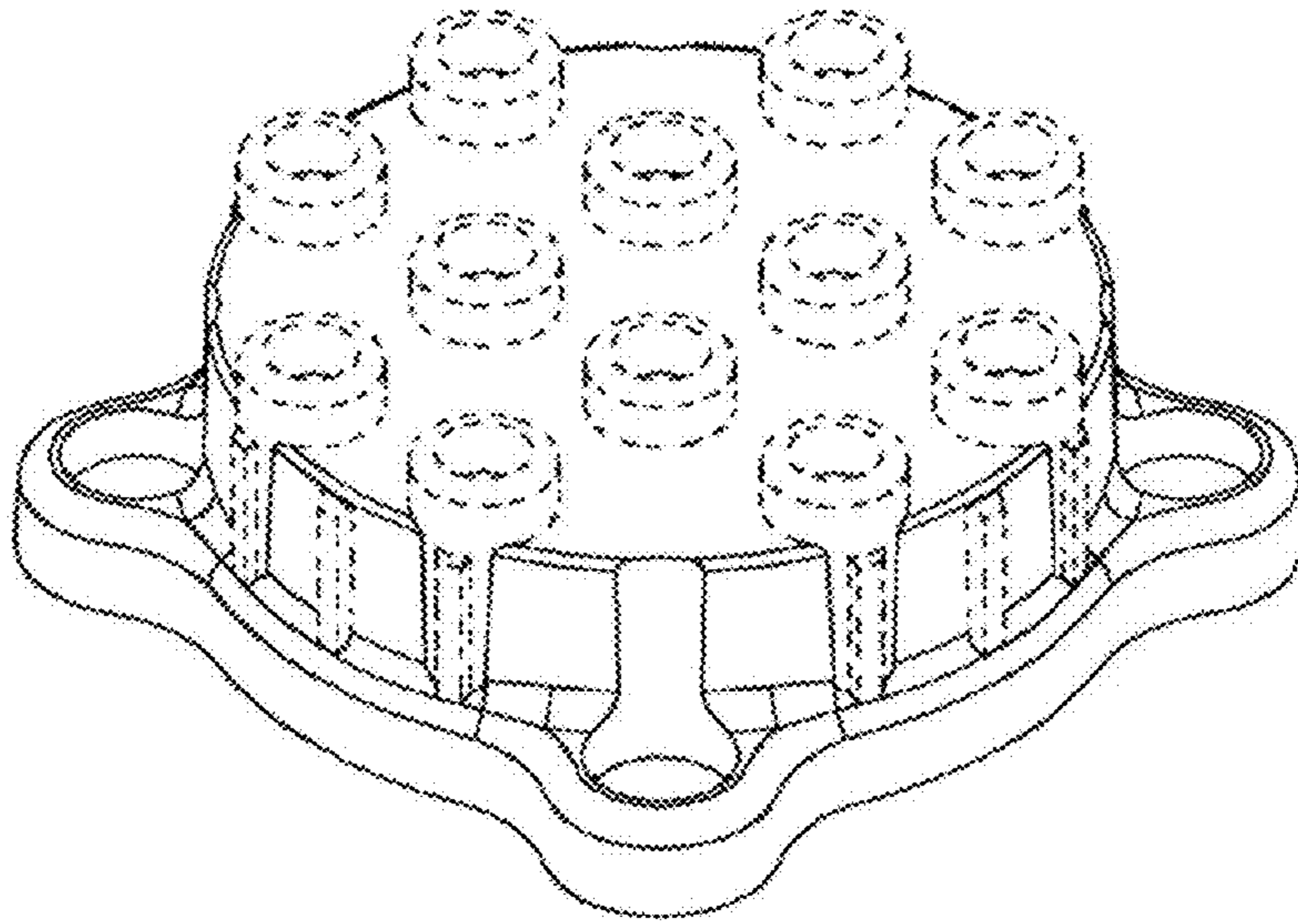


FIG. 5

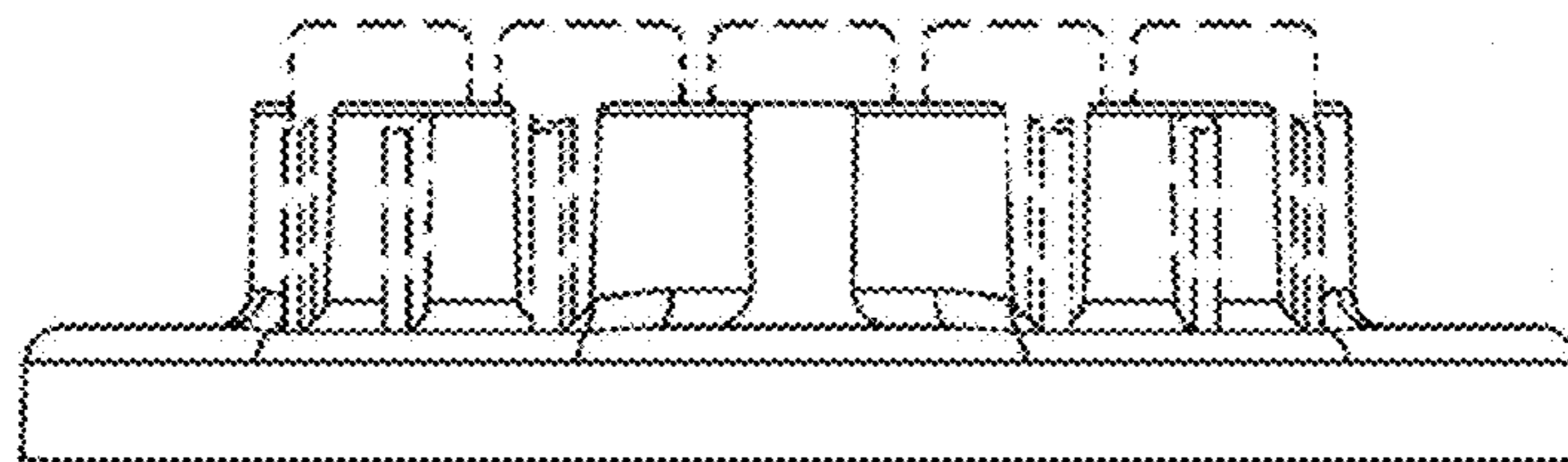


FIG. 6

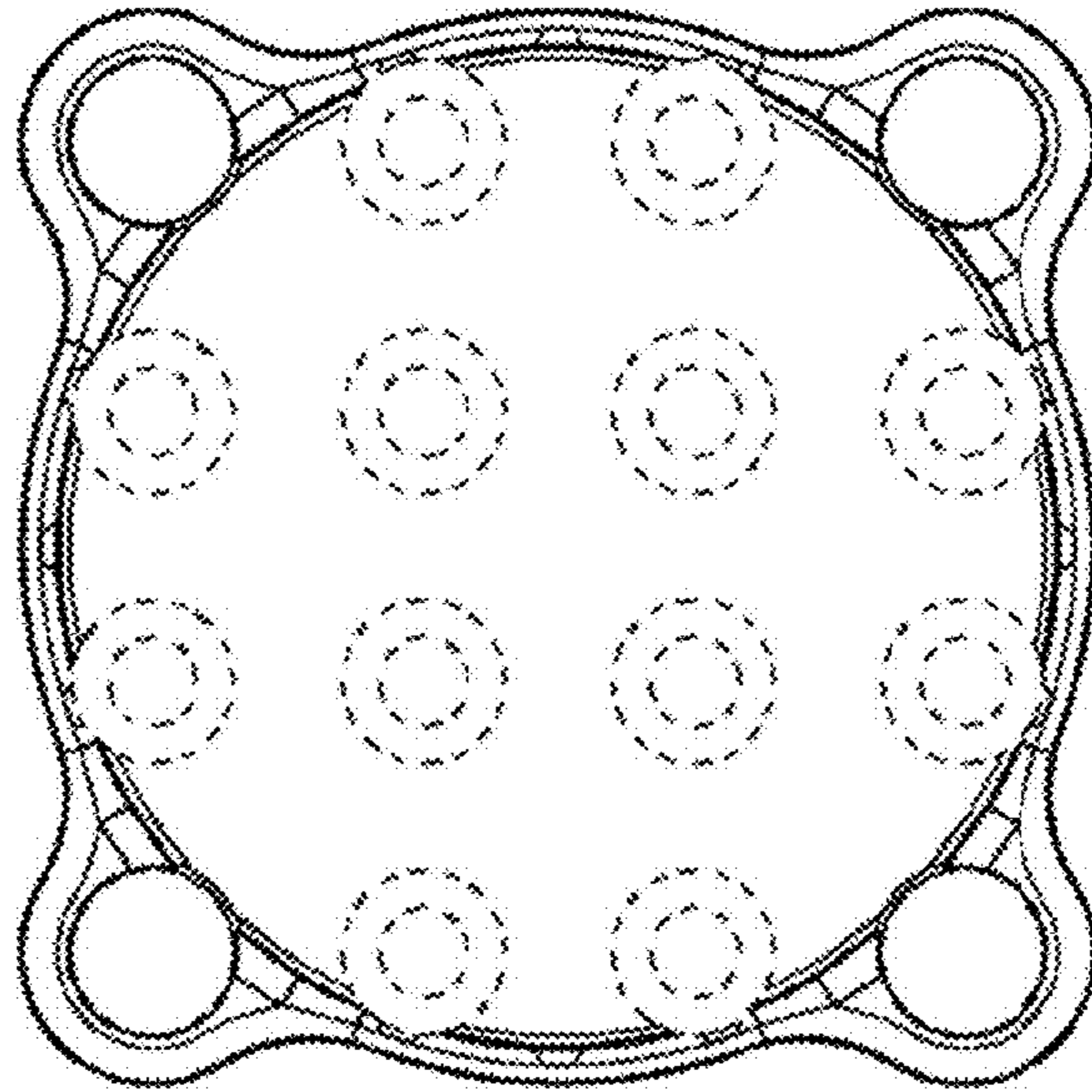


FIG. 7

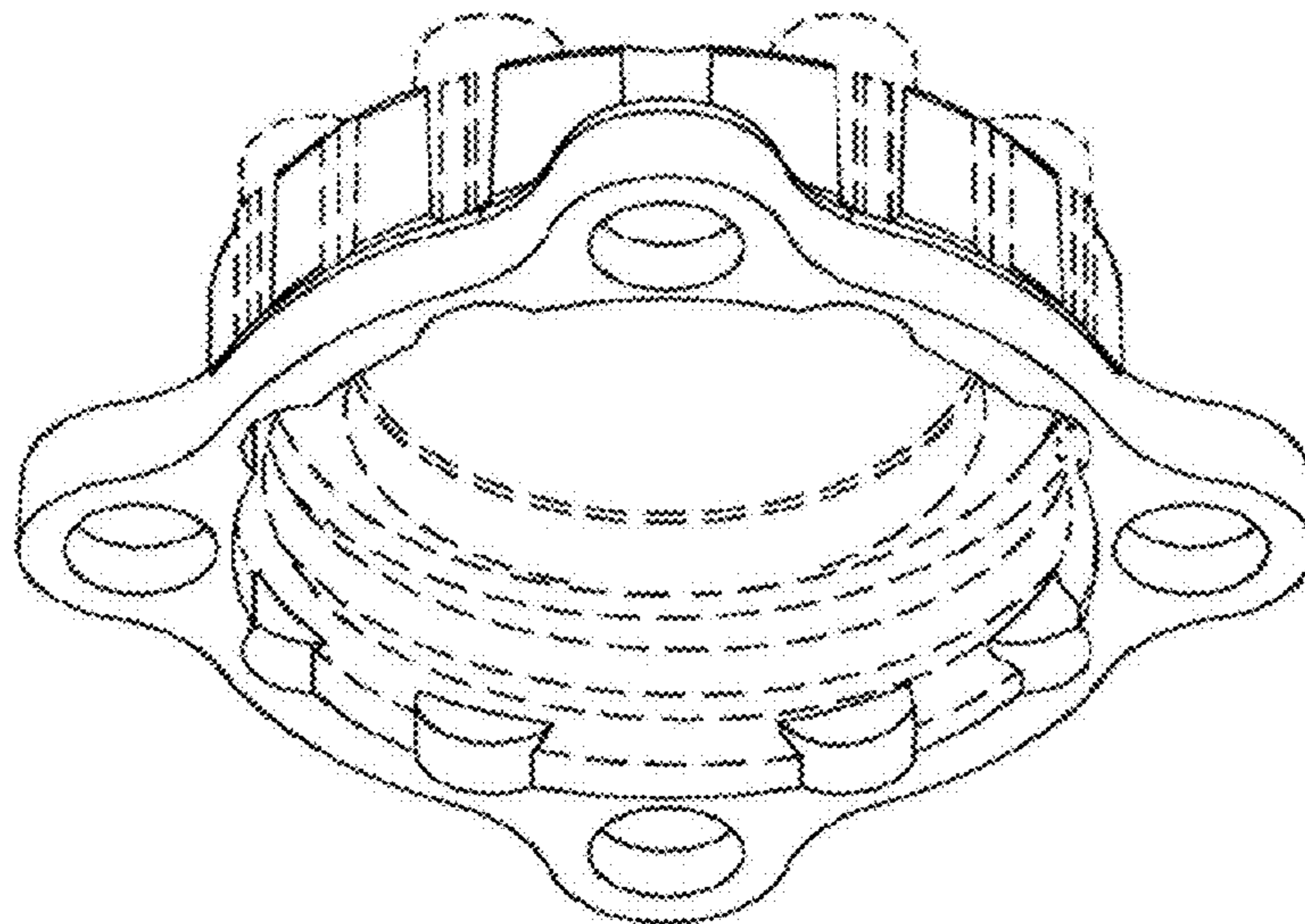


FIG. 8

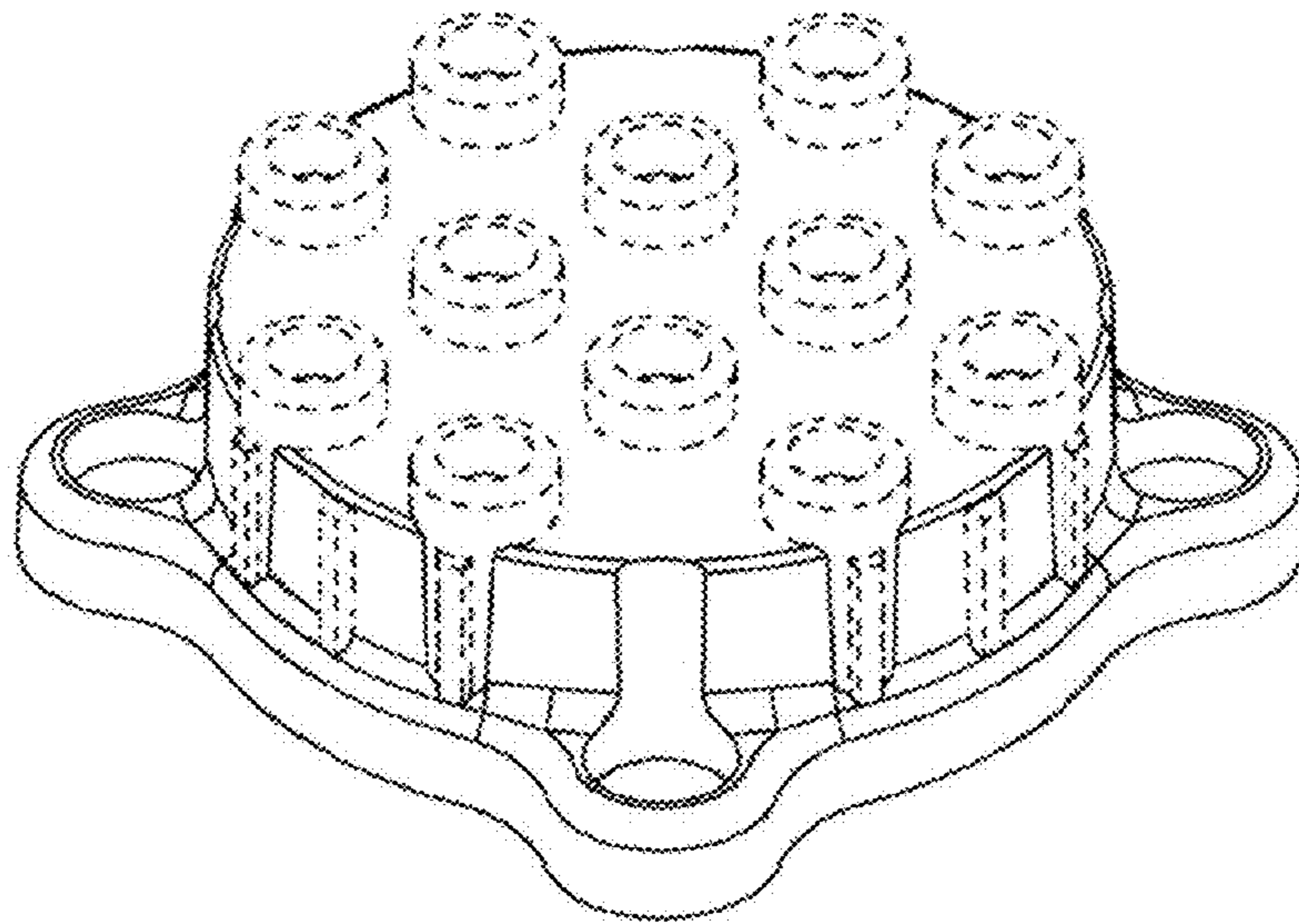


FIG. 9

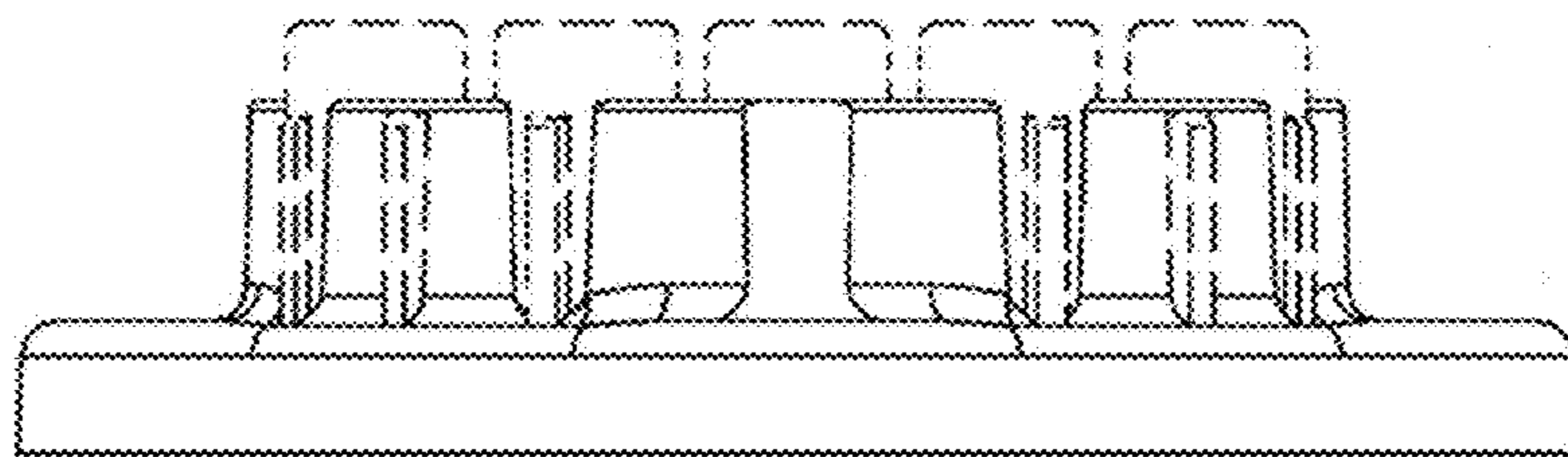


FIG. 10

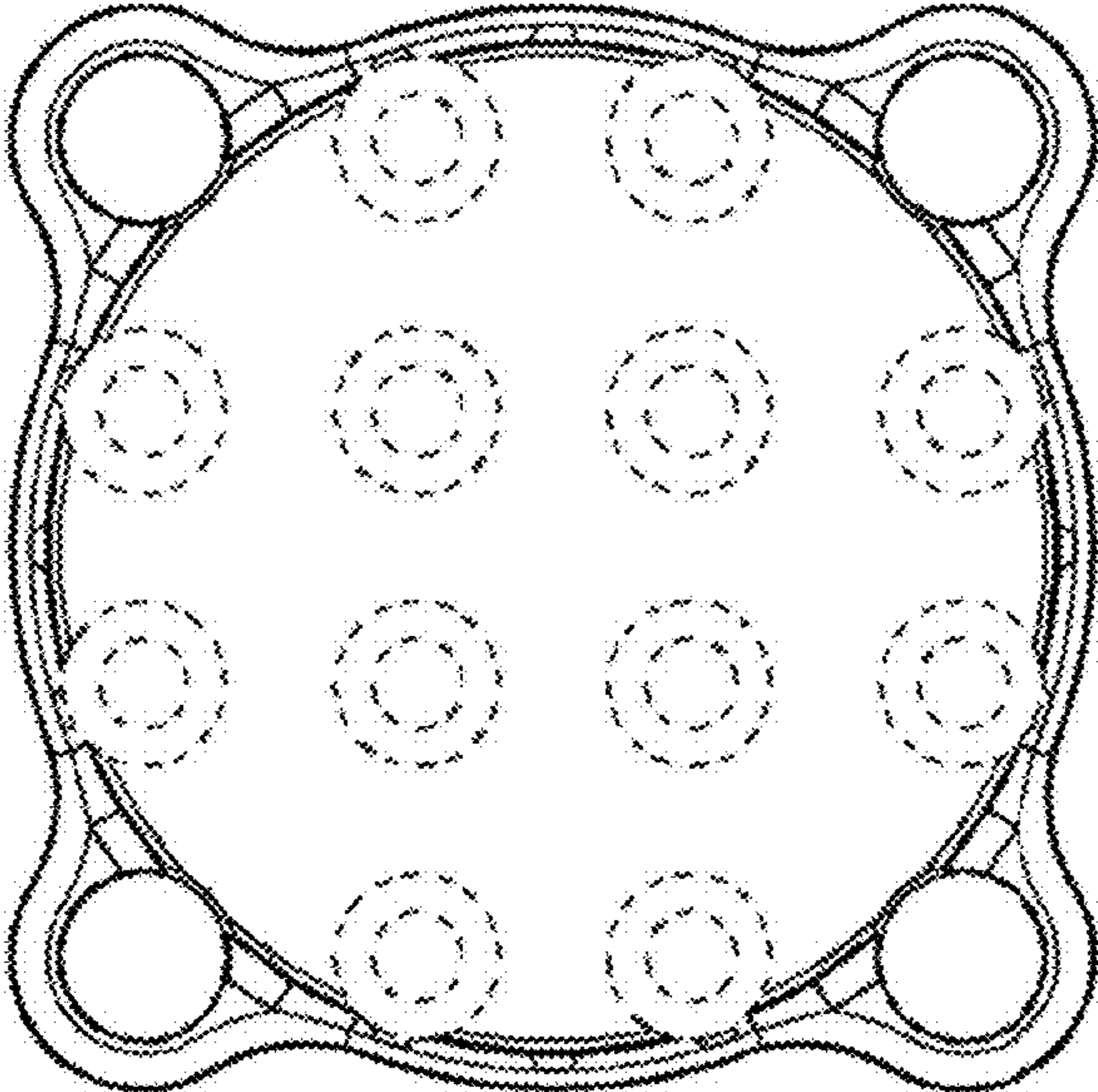


FIG. 11

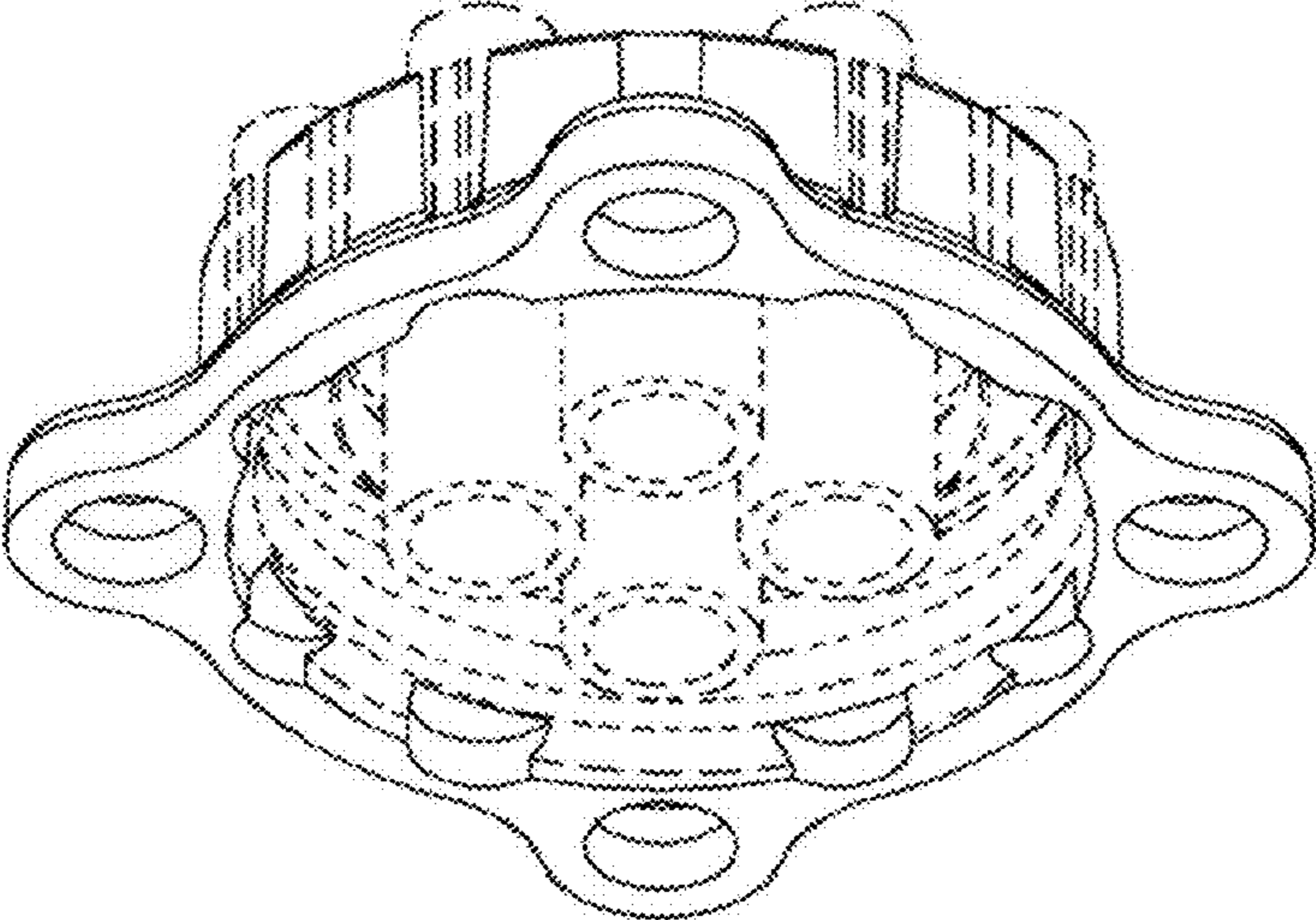


FIG. 12

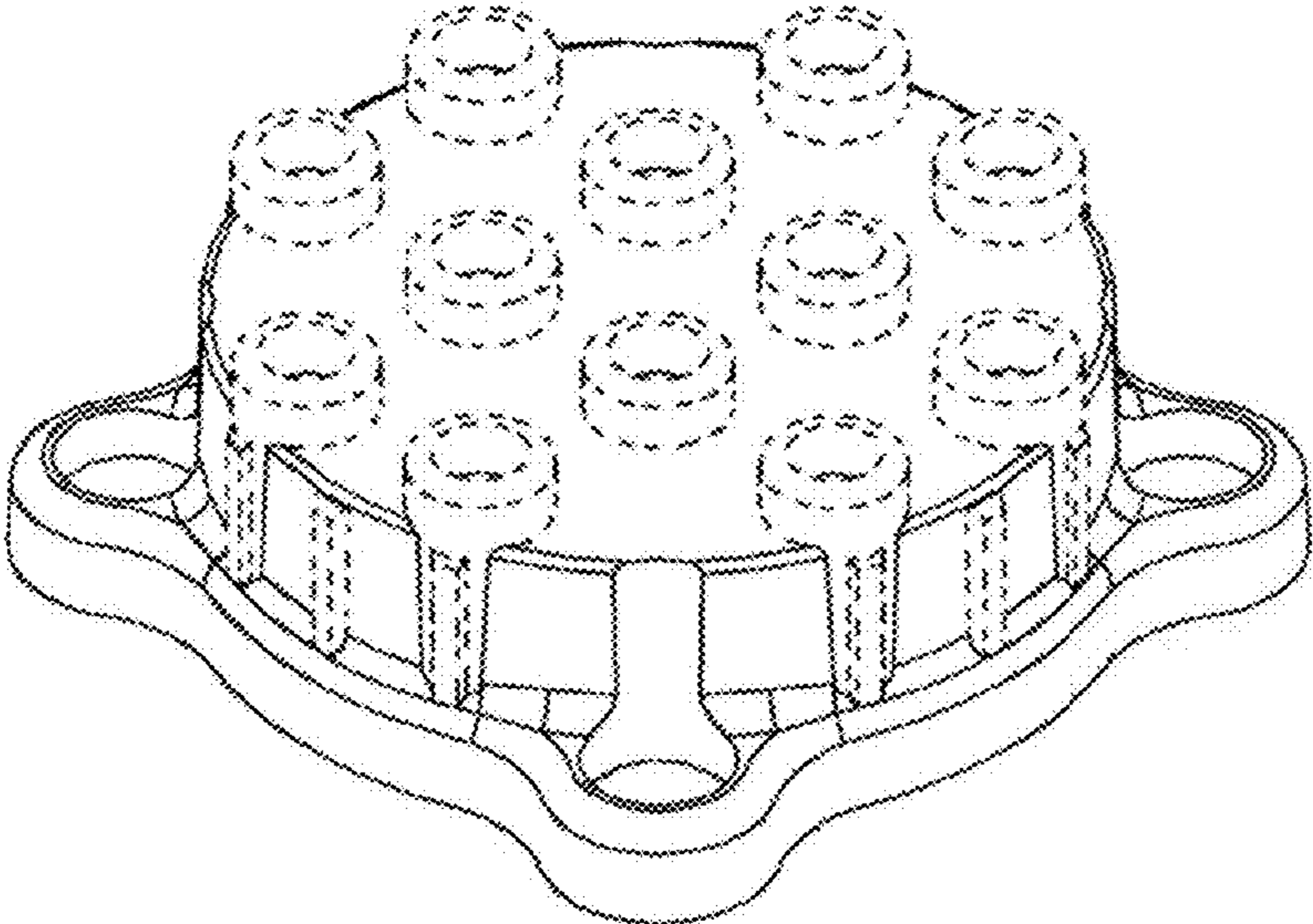


FIG. 13

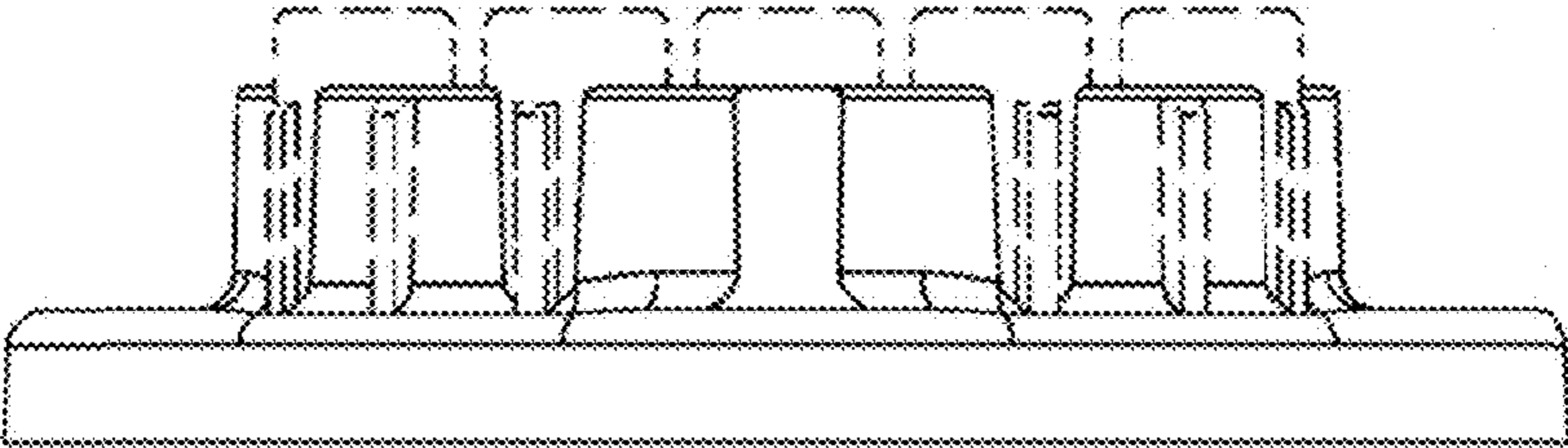


FIG. 14

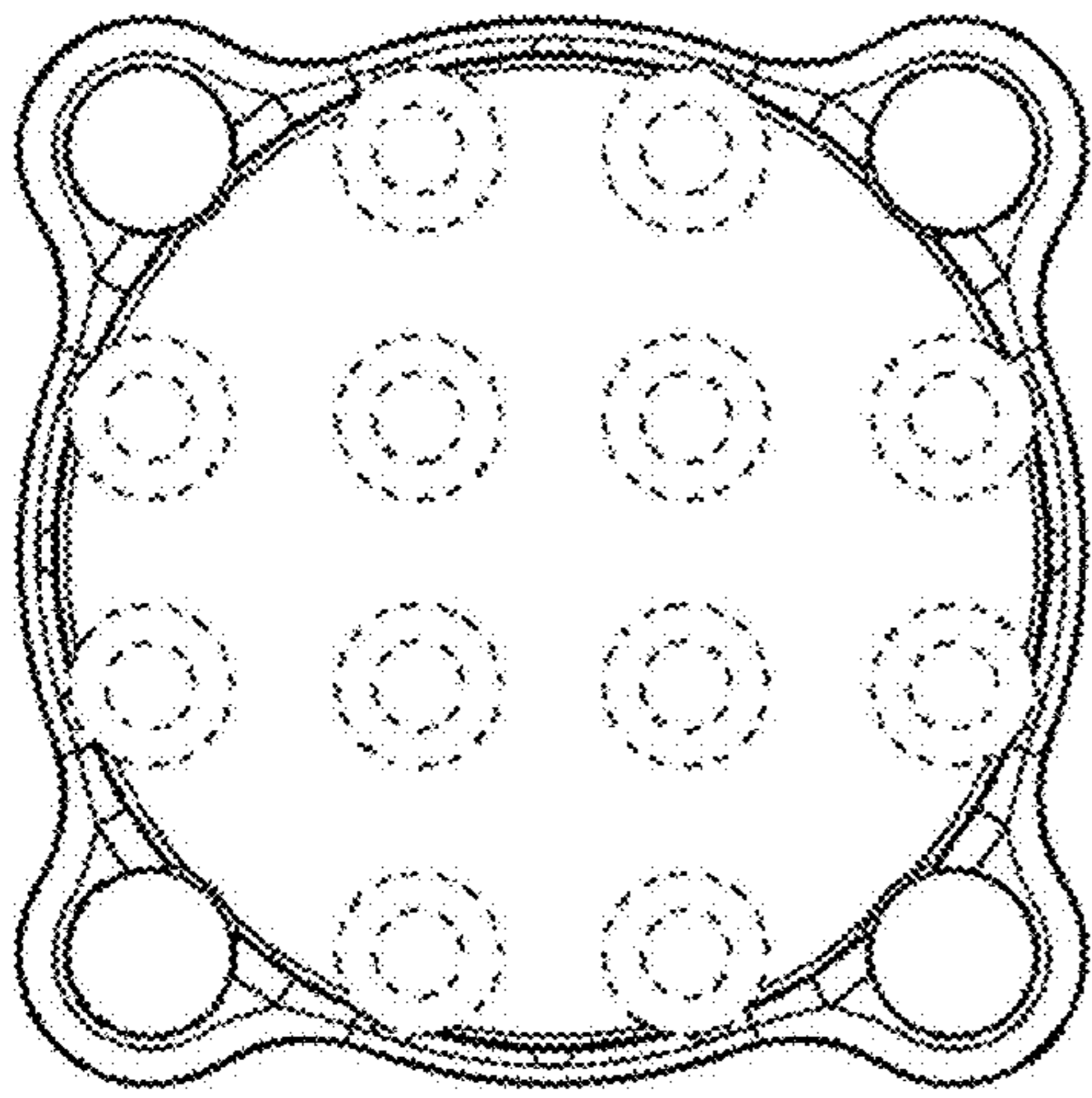


FIG. 15

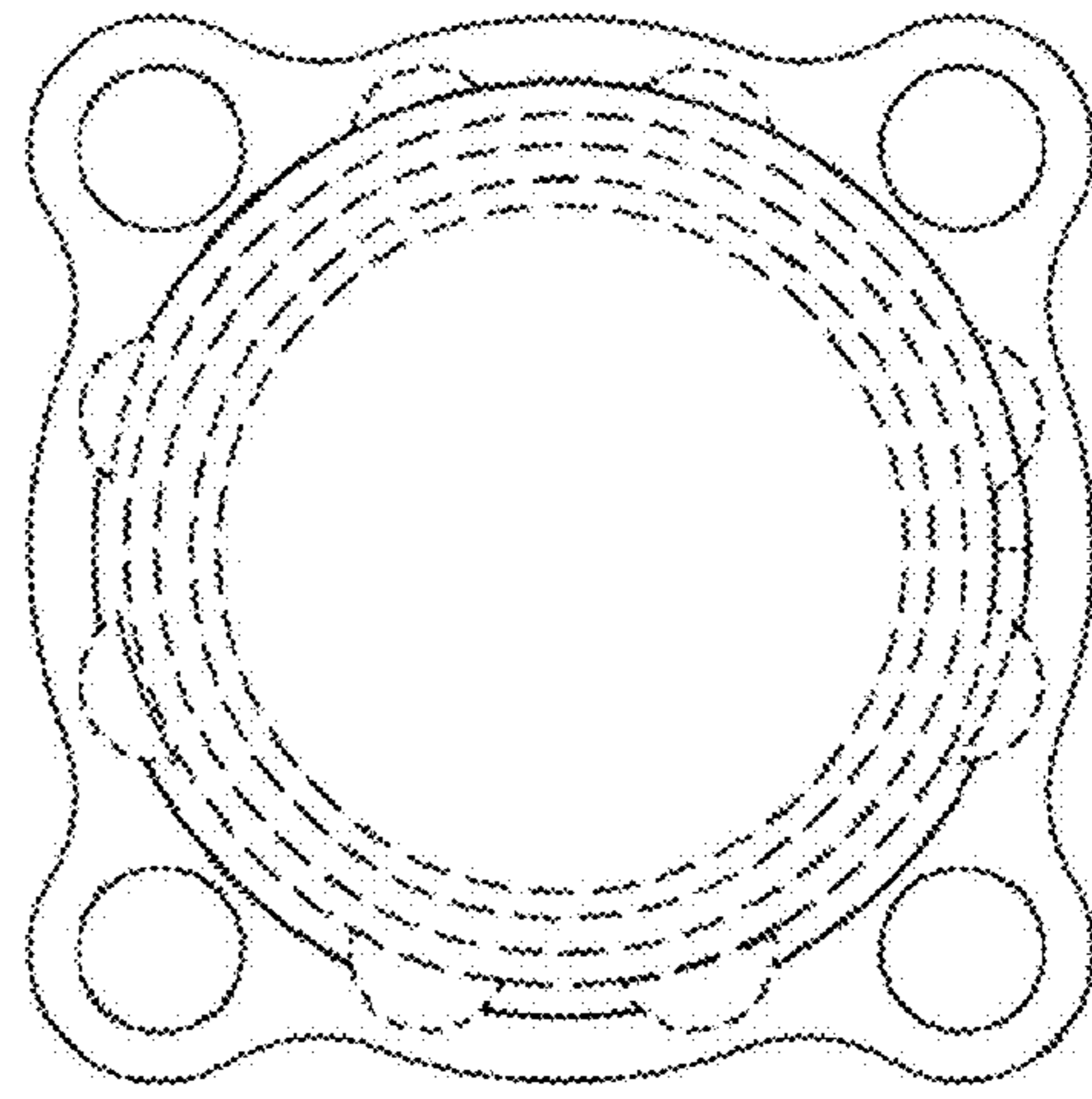


FIG. 16

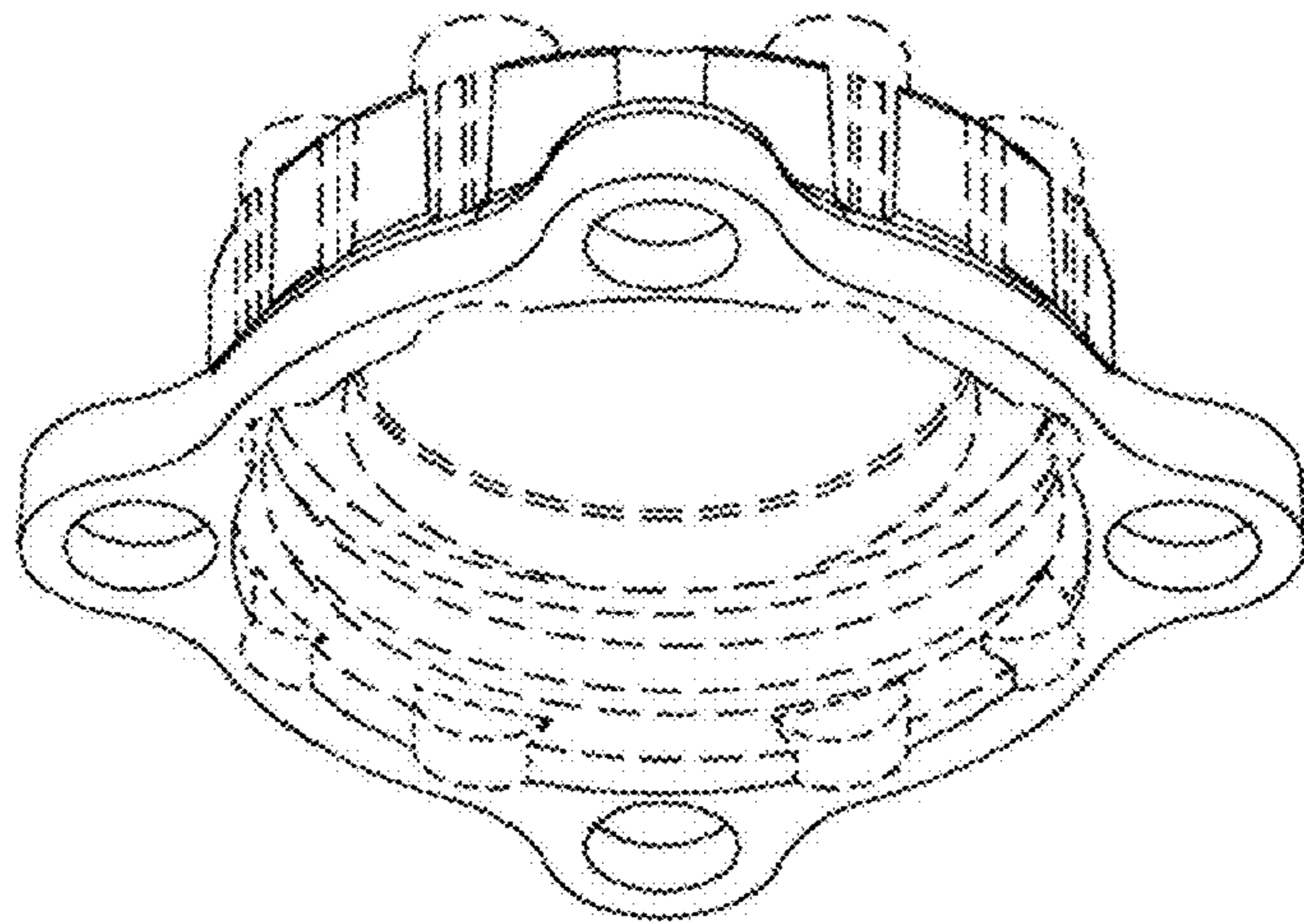


FIG. 17

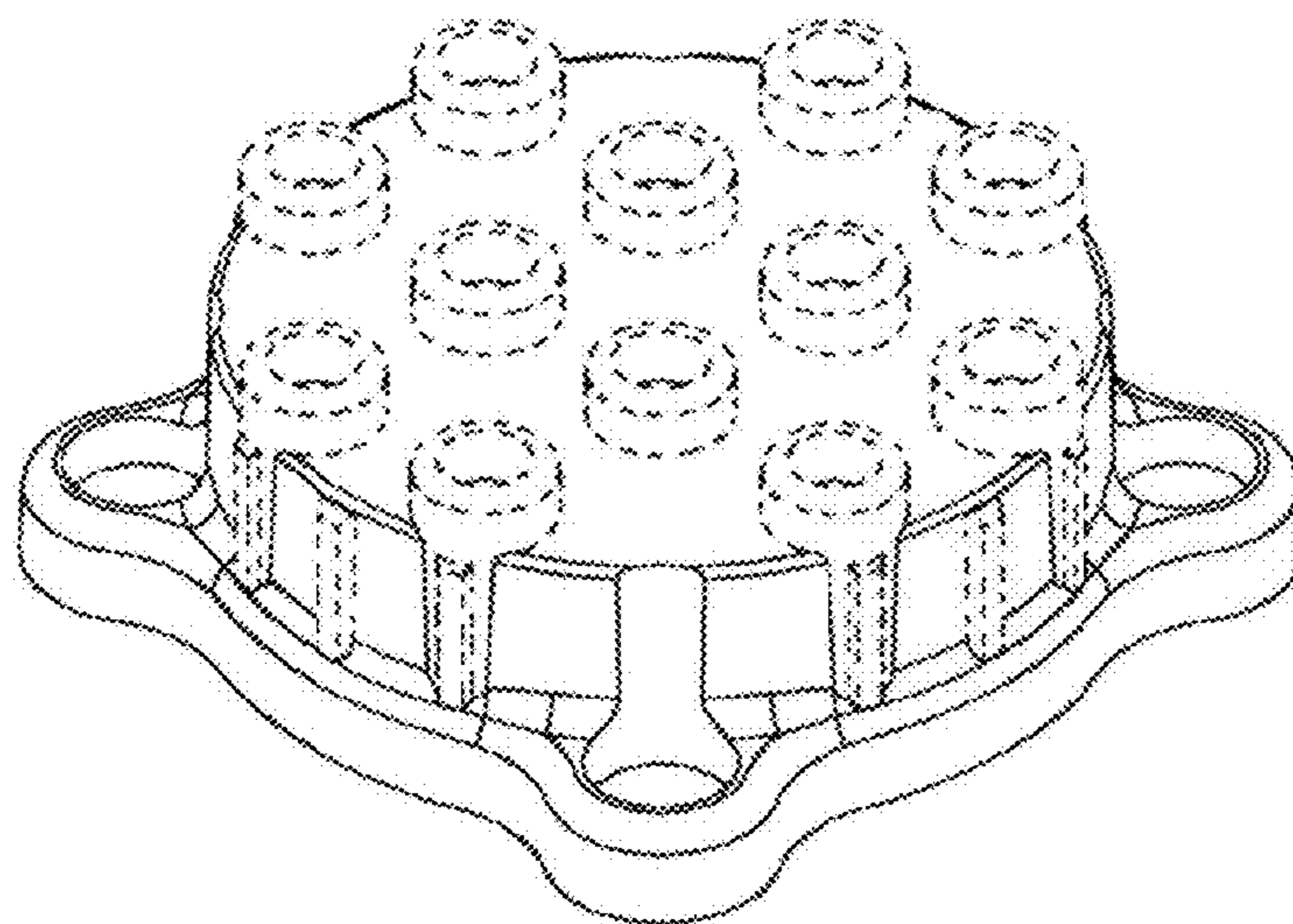


FIG. 18

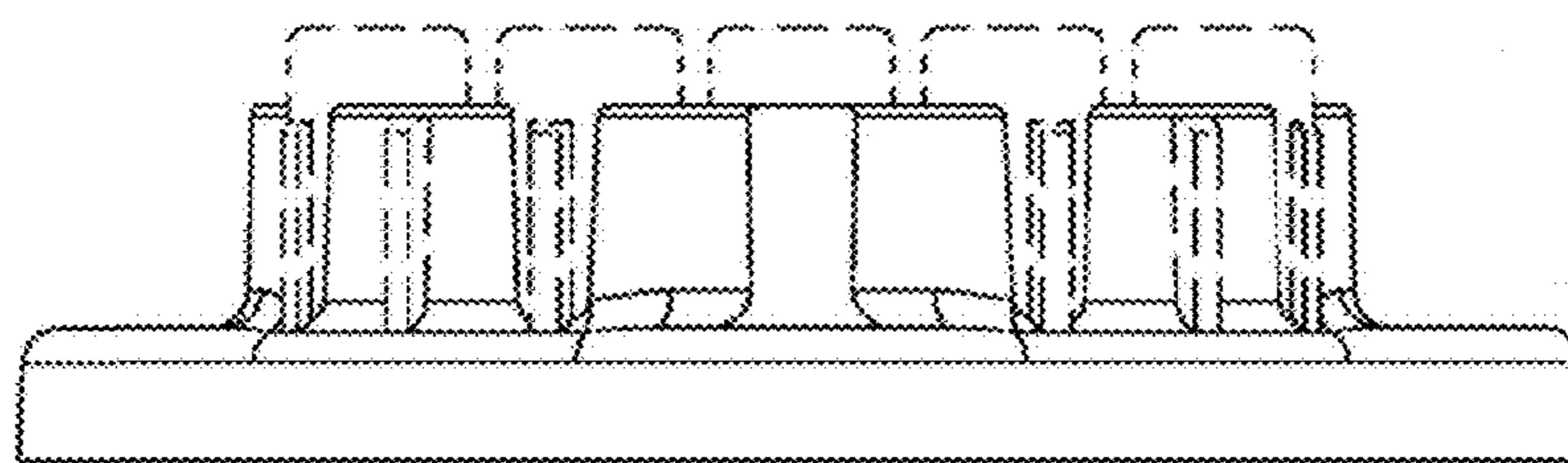


FIG. 19

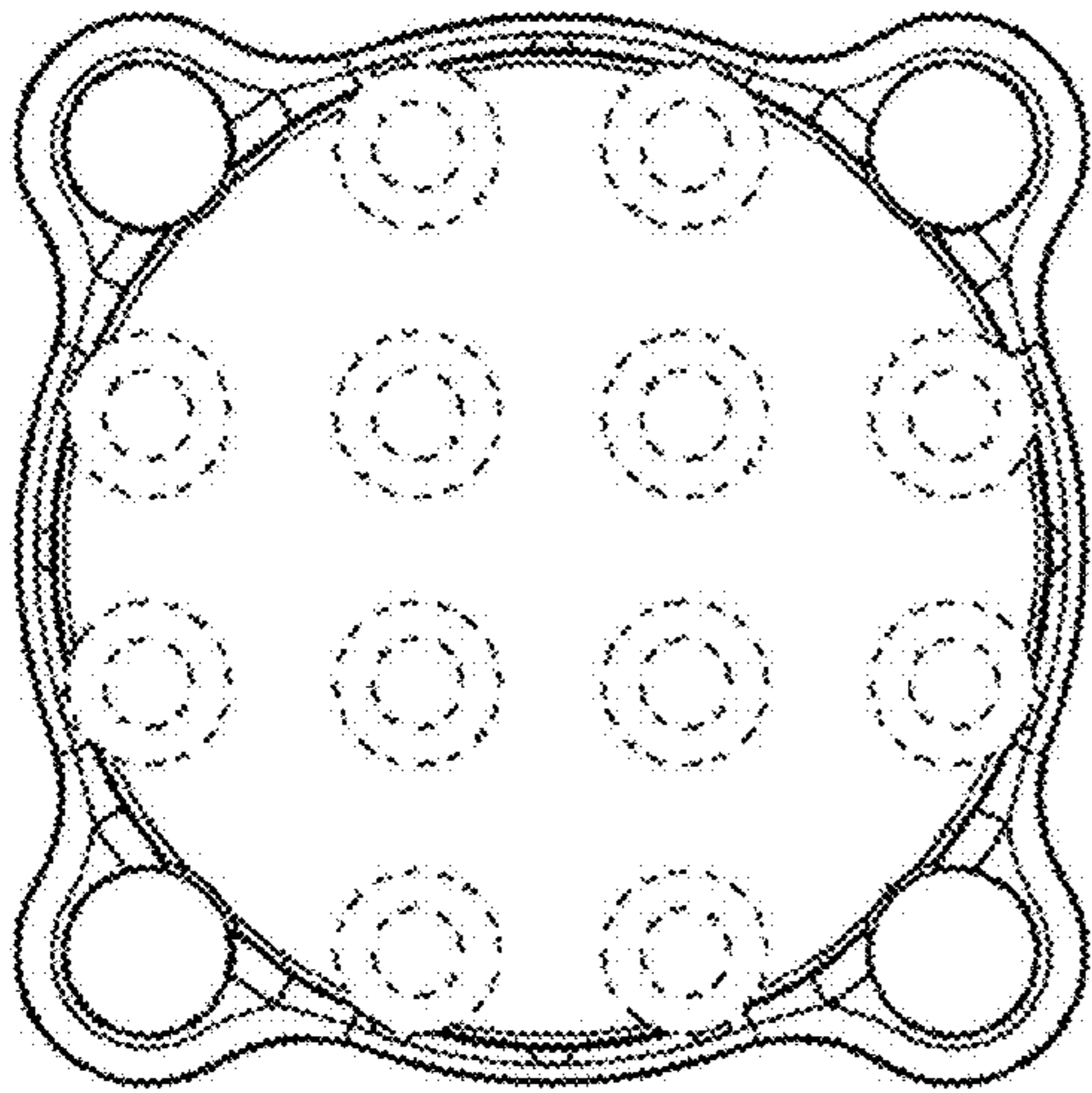


FIG. 20

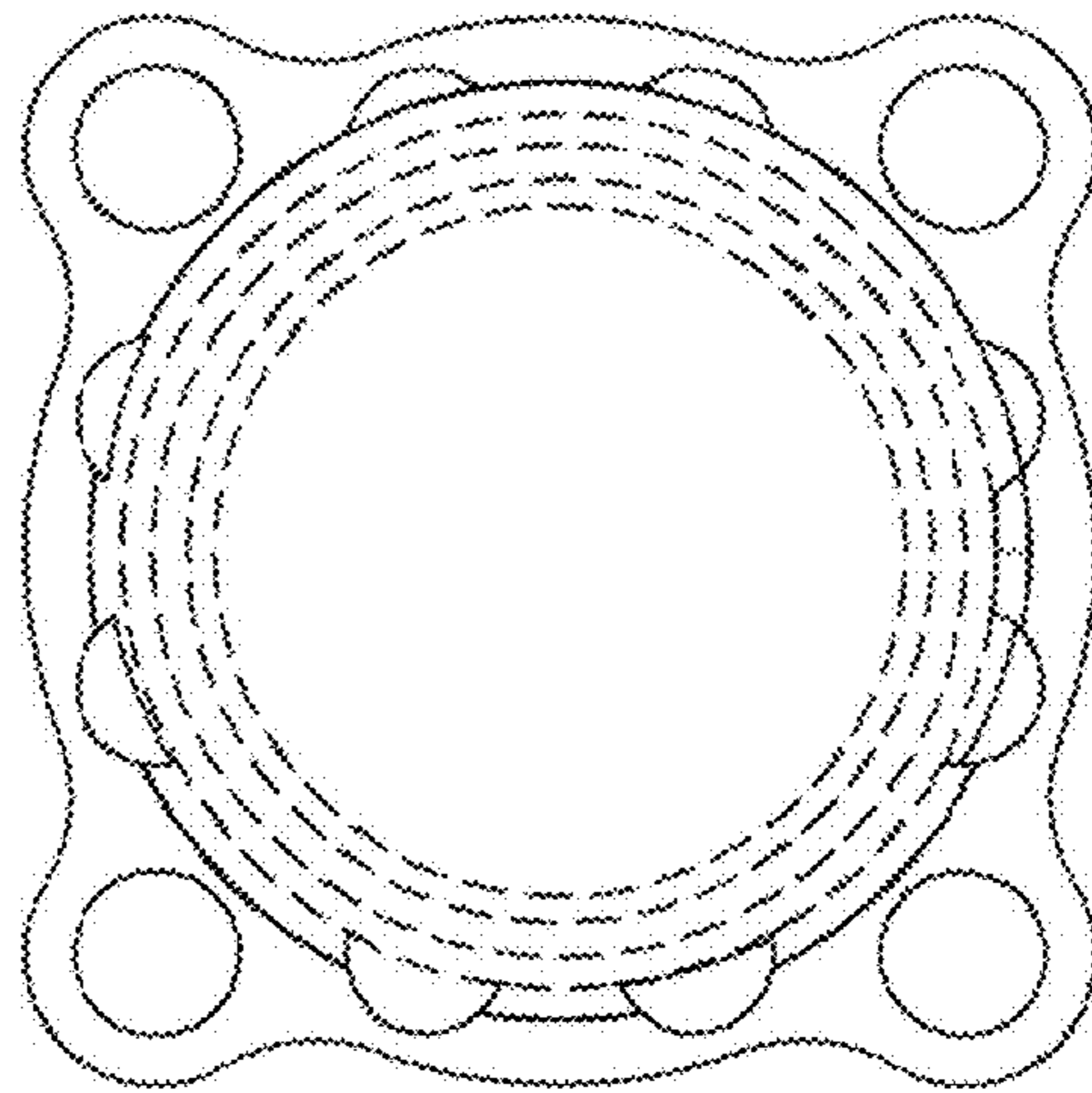


FIG. 21

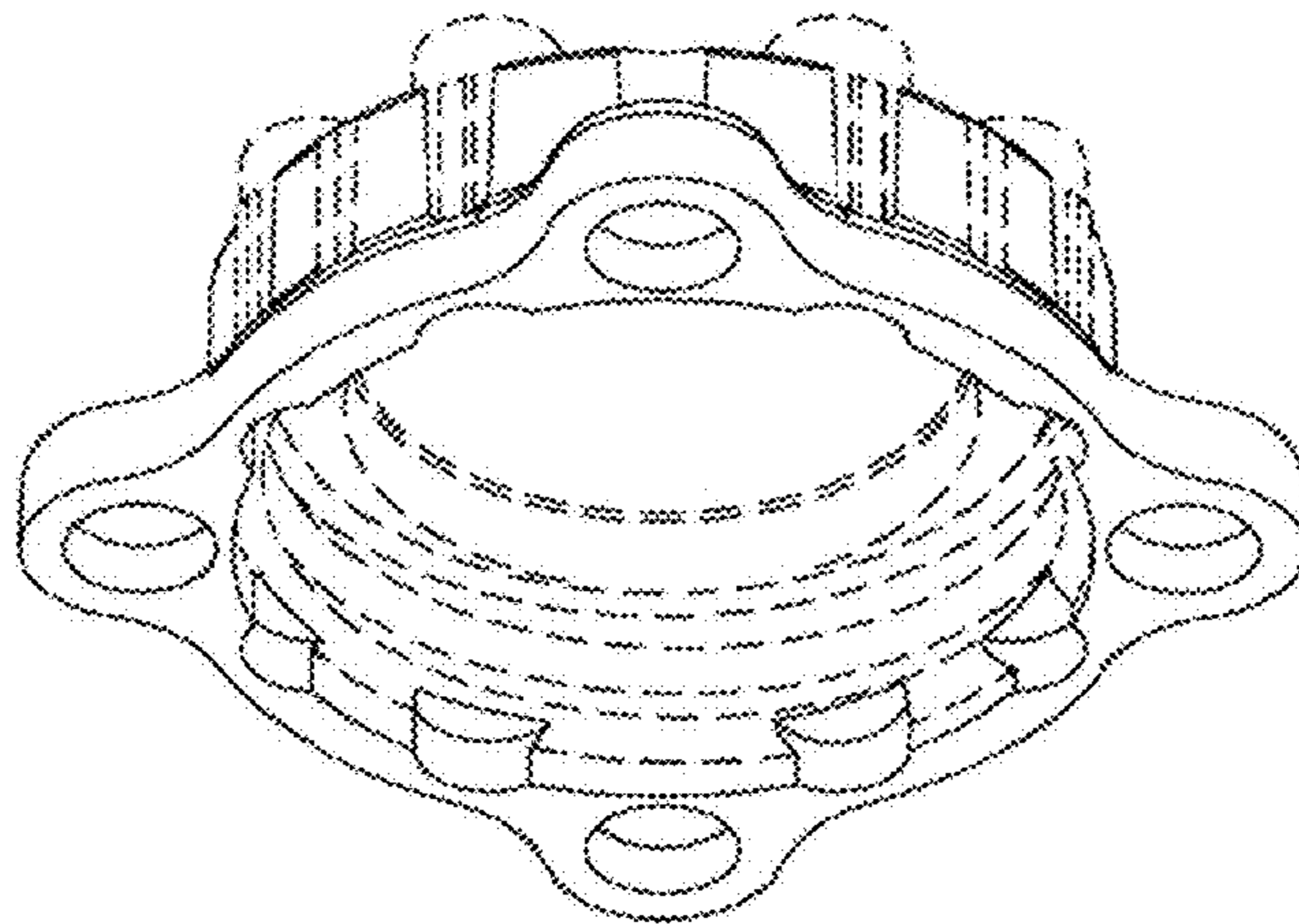


FIG. 22

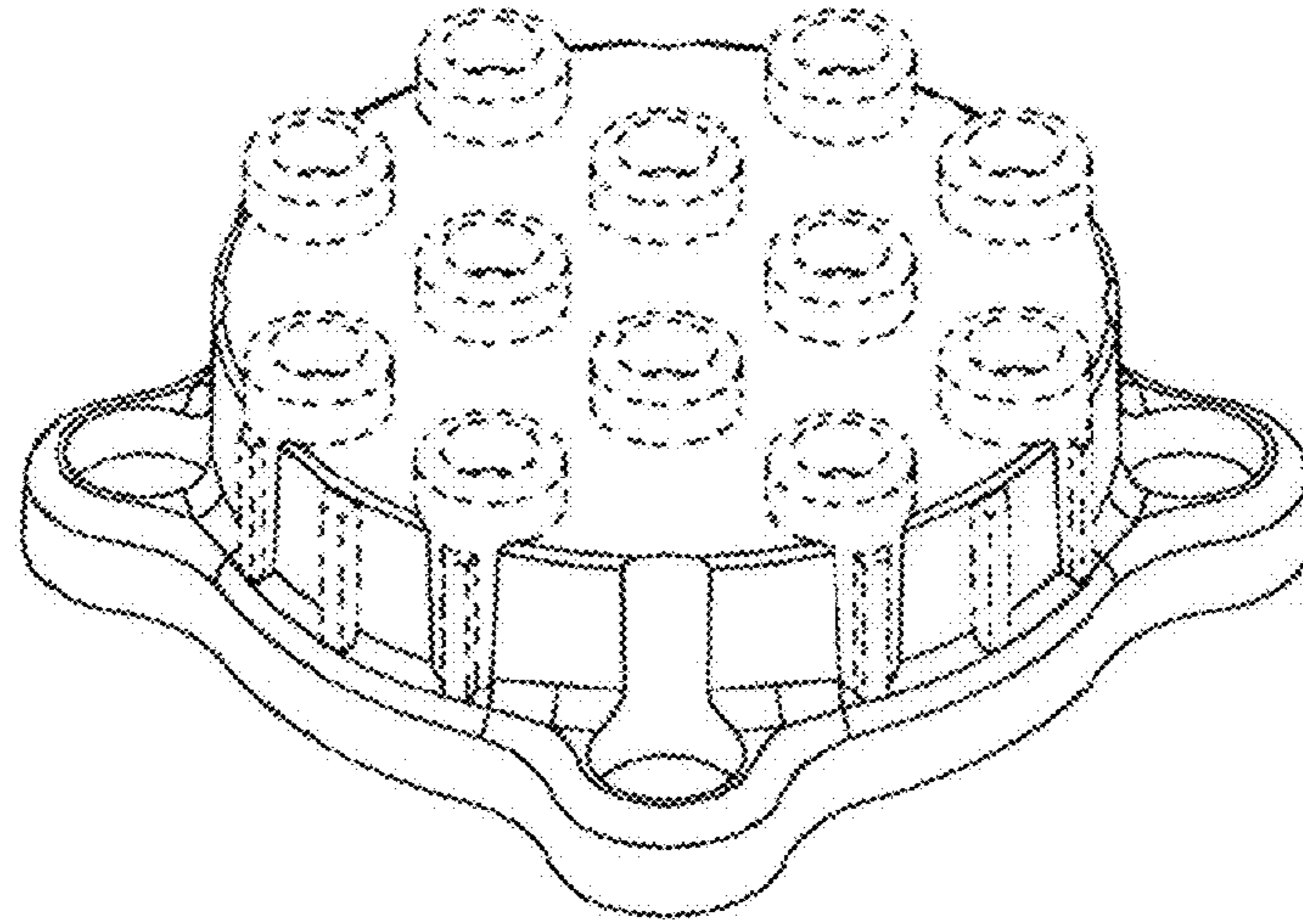


FIG. 23

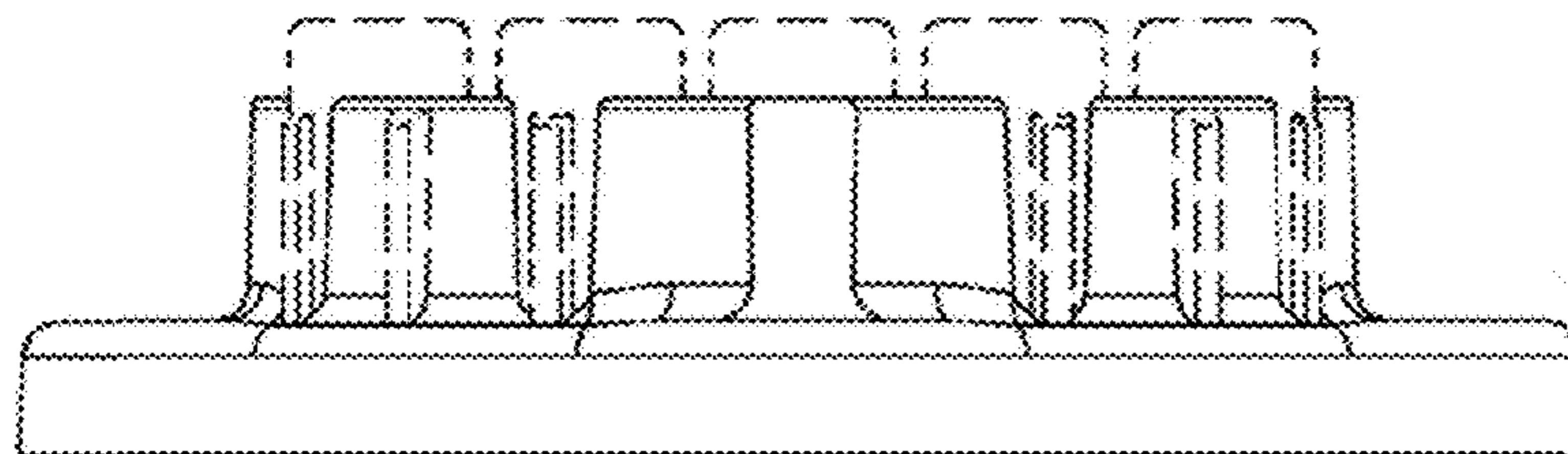


FIG. 24

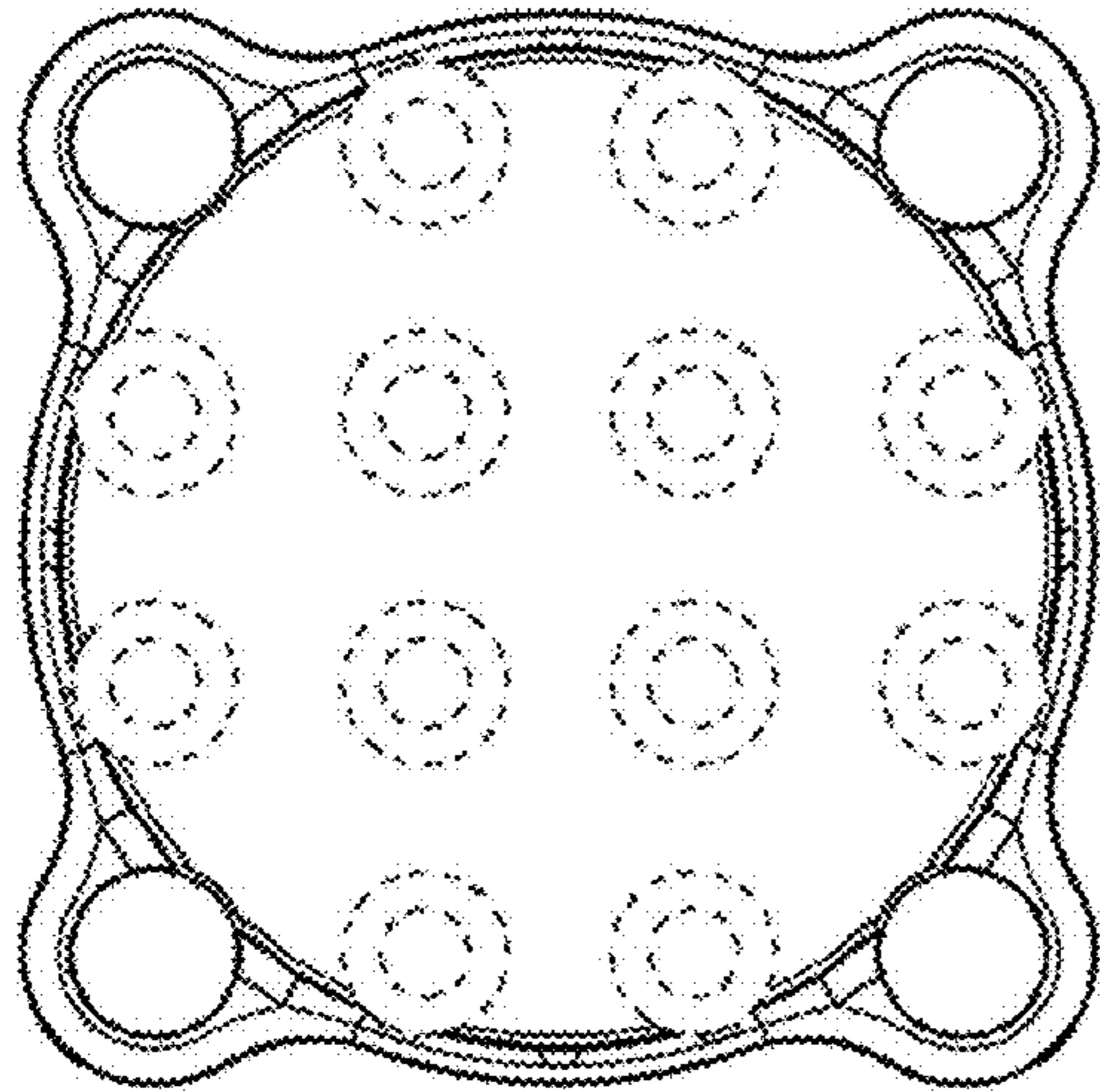


FIG. 25

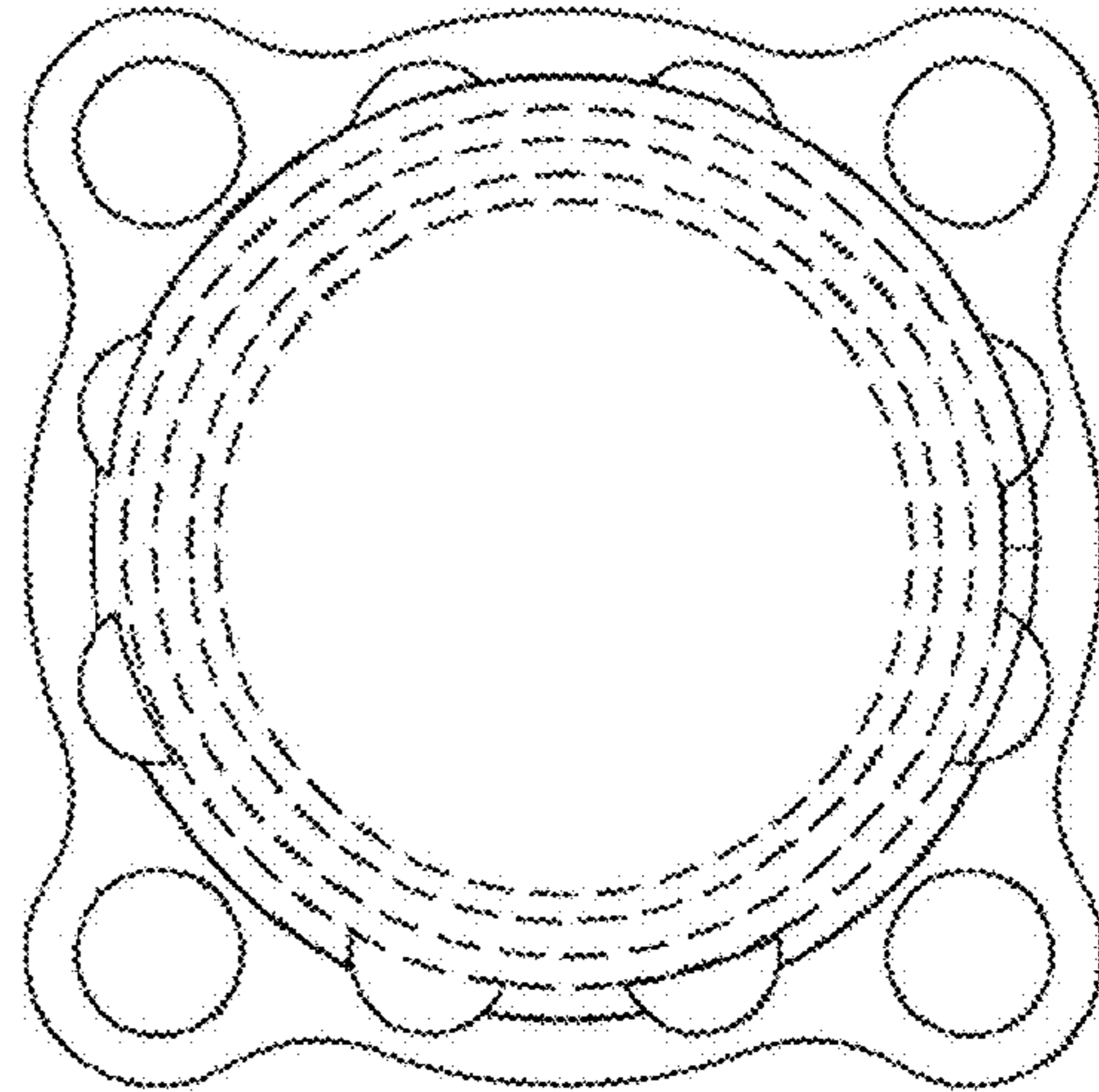


FIG. 26

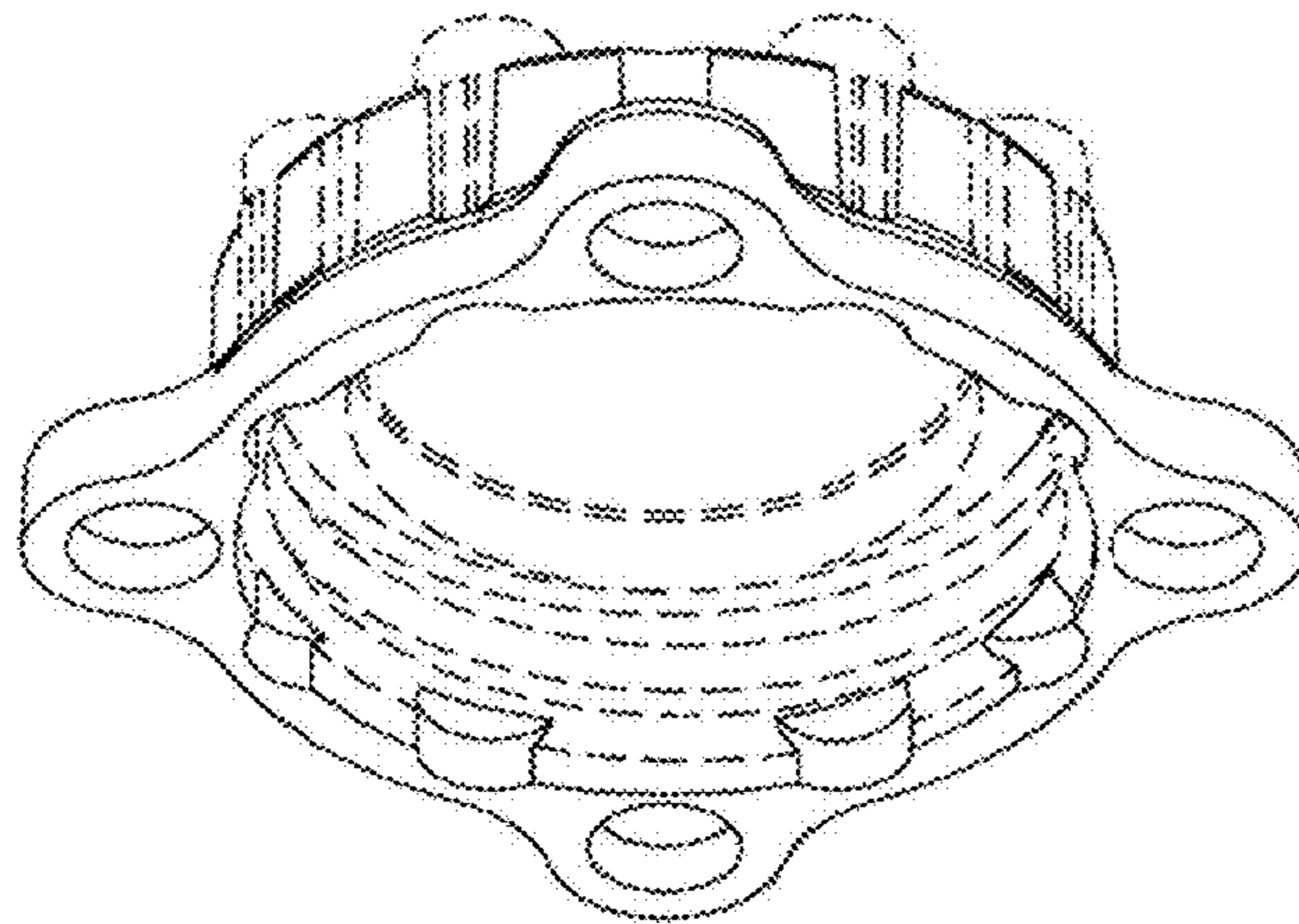


FIG. 27