



US00D748978S

(12) **United States Design Patent**
Glass et al.

(10) **Patent No.:** **US D748,978 S**
(45) **Date of Patent:** **** Feb. 9, 2016**

(54) **SLEEVE WITH INSERT FOR HOLDING TWO STORED VALUE CARDS**

(71) Applicant: **Gift Card Impressions, LLC**, Kansas City, MO (US)

(72) Inventors: **Brett R. Glass**, Kansas City, MO (US);
Nicole E. Glass, Kansas City, MO (US)

(73) Assignee: **Gift Card Impressions, LLC**, Kansas City, MO (US)

(**) Term: **14 Years**

(21) Appl. No.: **29/497,372**

(22) Filed: **Jul. 23, 2014**

(51) **LOC (10) Cl.** **09-03**

(52) **U.S. Cl.**
USPC **D9/432; D9/457; D9/433**

(58) **Field of Classification Search**
USPC D9/414-419, 420-425, 428, 429-435,
D9/444, 455-457, 600, 652, 667-679, 708,
D9/71, 719; D3/203.2, 272, 273, 294,
D3/302-304; D7/538-542, 601, 602, 629
CPC B65D 5/18; B65D 5/20; B65D 5/24;
B65D 5/28; B65D 5/30; B65D 5/42; B65D
5/46; B65D 5/70; B65D 5/74; B65D 5/546;
B65D 5/2038; B65D 5/2052; B65D 5/48018;
B65D 5/48022; B65D 5/665; B65D 25/00;
B65D 2585/366; B65D 85/00
See application file for complete search history.

(56) **References Cited**

U.S. PATENT DOCUMENTS

639,679 A 12/1899 Kaufmann
1,544,463 A 6/1925 Lengsfeld

(Continued)

FOREIGN PATENT DOCUMENTS

CA 2 447 733 C 3/2012
WO 2008/020883 A2 2/2008

OTHER PUBLICATIONS

Office Action from related U.S. Appl. No. 13/294,063, dated Jun. 3, 2015; 8 pgs.

(Continued)

Primary Examiner — Susan Bennett Hattan

Assistant Examiner — Vy Koenig

(74) *Attorney, Agent, or Firm* — Polsinelli PC

(57) **CLAIM**

The ornamental design for a sleeve with insert for holding two stored value cards, as shown and described.

DESCRIPTION

FIG. 1 is a perspective view of a sleeve with insert for holding two stored value cards according to the invention shown in a closed disposition;

FIG. 2 is a perspective view of the sleeve with insert for holding two stored value cards of FIG. 1 in an open disposition;

FIG. 3 is a front elevation view of the sleeve with insert for holding two stored value cards of FIG. 1;

FIG. 4 is a rear elevation view of the sleeve with insert for holding two stored value cards of FIG. 1;

FIG. 5 is a right elevation view of the sleeve with insert for holding two stored value cards of FIG. 1;

FIG. 6 is a left elevation view of the sleeve with insert for holding two stored value cards of FIG. 1;

FIG. 7 is a top plan view of the sleeve with insert for holding two stored value cards of FIG. 1; and,

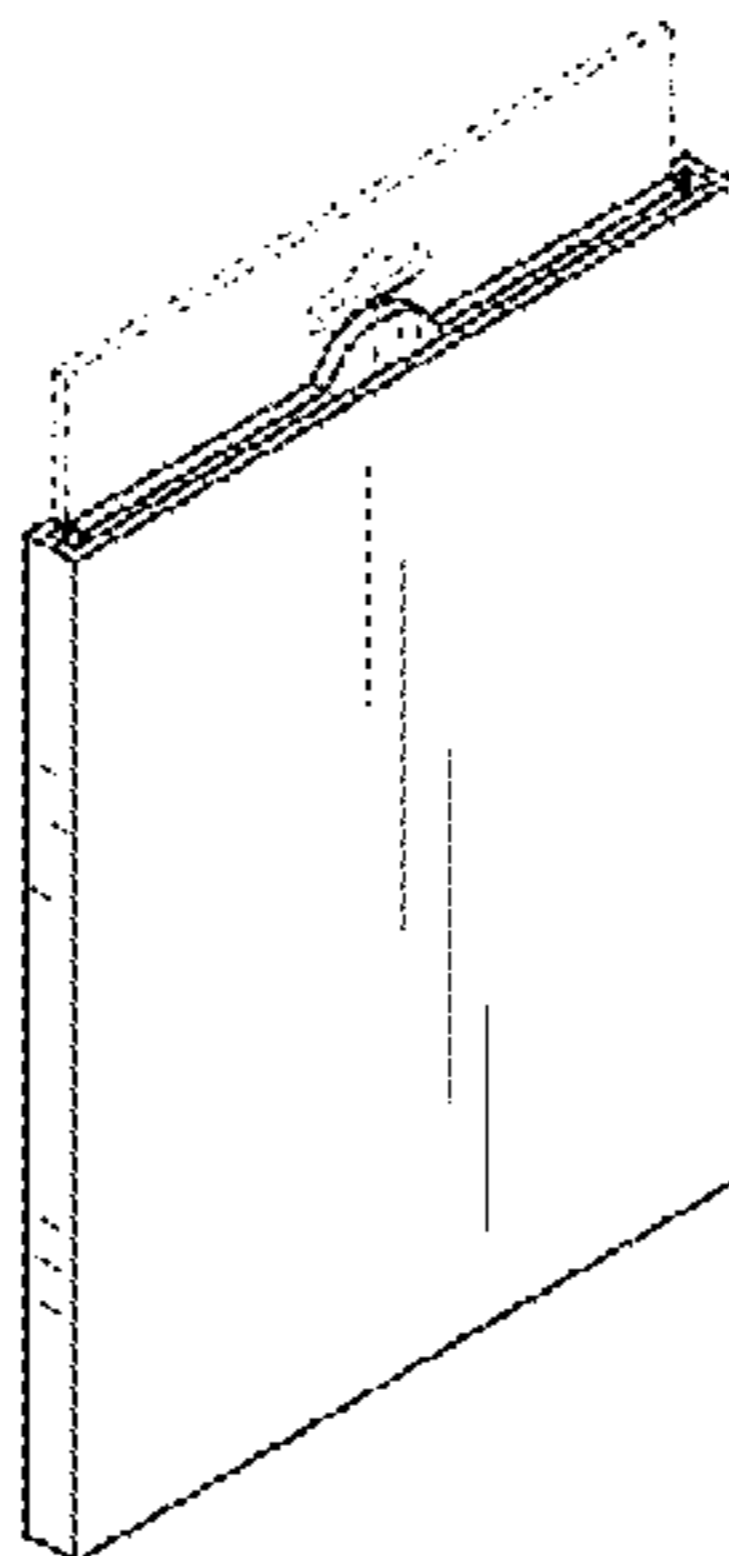
FIG. 8 is a bottom plan view of the sleeve with insert for holding two stored value cards of FIG. 1.

The broken dash-dot-dot lines and arrows (-••) showing in FIG. 2 are included for the purpose of illustrating direction to place the stored value cards on an insert of the sleeve with insert for holding two stored value cards.

The broken dash-dot-dash lines and arrows (-•-) showing in FIG. 2 are included for the purpose of illustrating direction to remove the insert holding the stored value cards from a portion of the sleeve with insert for holding two stored value cards.

The broken dashed lines (---) showing in FIGS. 1-6 are included for the purpose of illustrating portions of the sleeve with insert for holding two stored value cards that form no part of the claimed design.

1 Claim, 2 Drawing Sheets



(56)

References Cited

U.S. PATENT DOCUMENTS

1,568,982 A 1/1926 Lengsfeld
 1,860,586 A 5/1932 McIlhenney
 2,058,608 A 10/1936 Maeda
 2,884,724 A 5/1959 Lohnes et al.
 3,199,238 A 8/1965 Brown
 3,380,575 A 4/1968 Hennessey
 3,755,925 A 9/1973 Court
 3,848,348 A 11/1974 Hawley
 4,697,364 A 10/1987 Dean
 5,277,307 A 1/1994 Kelly
 5,289,917 A 3/1994 Chabria
 5,400,914 A 3/1995 Lin
 5,497,876 A 3/1996 Fleming
 5,575,384 A 11/1996 Saye
 6,092,715 A * 7/2000 Correll B65D 5/2033
 229/110
 6,418,648 B1 7/2002 Hollingsworth et al.
 6,527,111 B2 3/2003 Leung et al.
 6,732,459 B1 5/2004 Clark
 6,877,263 B2 4/2005 Clark
 7,056,122 B2 6/2006 Lockett
 D531,506 S * 11/2006 Aitkenhead D20/42
 D532,452 S 11/2006 Heng et al.
 D553,494 S * 10/2007 Dehlin D9/432
 D553,999 S * 10/2007 Mason D9/711
 7,275,683 B2 10/2007 Lazarowicz et al.
 D619,359 S 7/2010 Pascua et al.

D623,946 S * 9/2010 Levy D9/415
 D623,948 S * 9/2010 Levy D9/415
 7,882,651 B2 2/2011 Wilen
 D706,632 S * 6/2014 Glass D9/457
 D710,700 S * 8/2014 Glass D9/434
 D732,960 S * 6/2015 Glass D9/455
 2005/0284927 A1 12/2005 Wilen
 2006/0101678 A1 5/2006 Wilen
 2006/0231609 A1 10/2006 Lazarowicz et al.
 2007/0094901 A1 5/2007 Kibbe et al.
 2009/0217559 A1 9/2009 Sayre
 2010/0224516 A1 9/2010 Abell
 2012/0285967 A1 11/2012 Glass et al.
 2013/0220880 A1 * 8/2013 Glass B65D 5/38
 206/767
 2014/0366410 A1 * 12/2014 Budzar B42D 15/027
 40/124.03

OTHER PUBLICATIONS

Office Action from related U.S. Appl. No. 13/294,063, dated Dec. 18, 2014; 7 pgs.
 Office Action from related U.S. Appl. No. 13/294,063, dated Jun. 9, 2014; 9 pgs.
 Office Action from related U.S. Appl. No. 13/294,063, dated Nov. 21, 2013; 7 pgs.
 Office Action from related U.S. Appl. No. 13/294,063, dated May 24, 2013; 6 pgs.

* cited by examiner

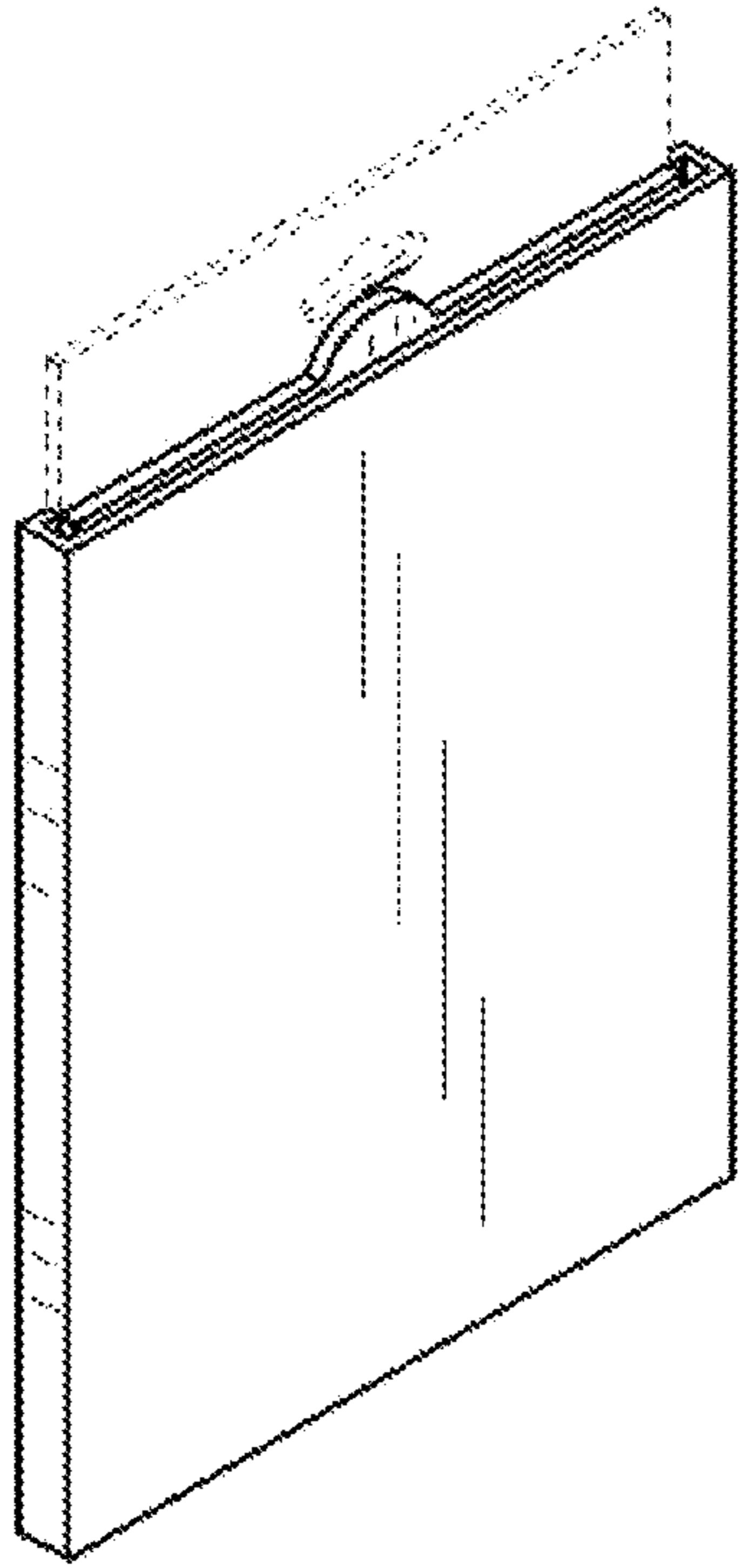


FIG. 1

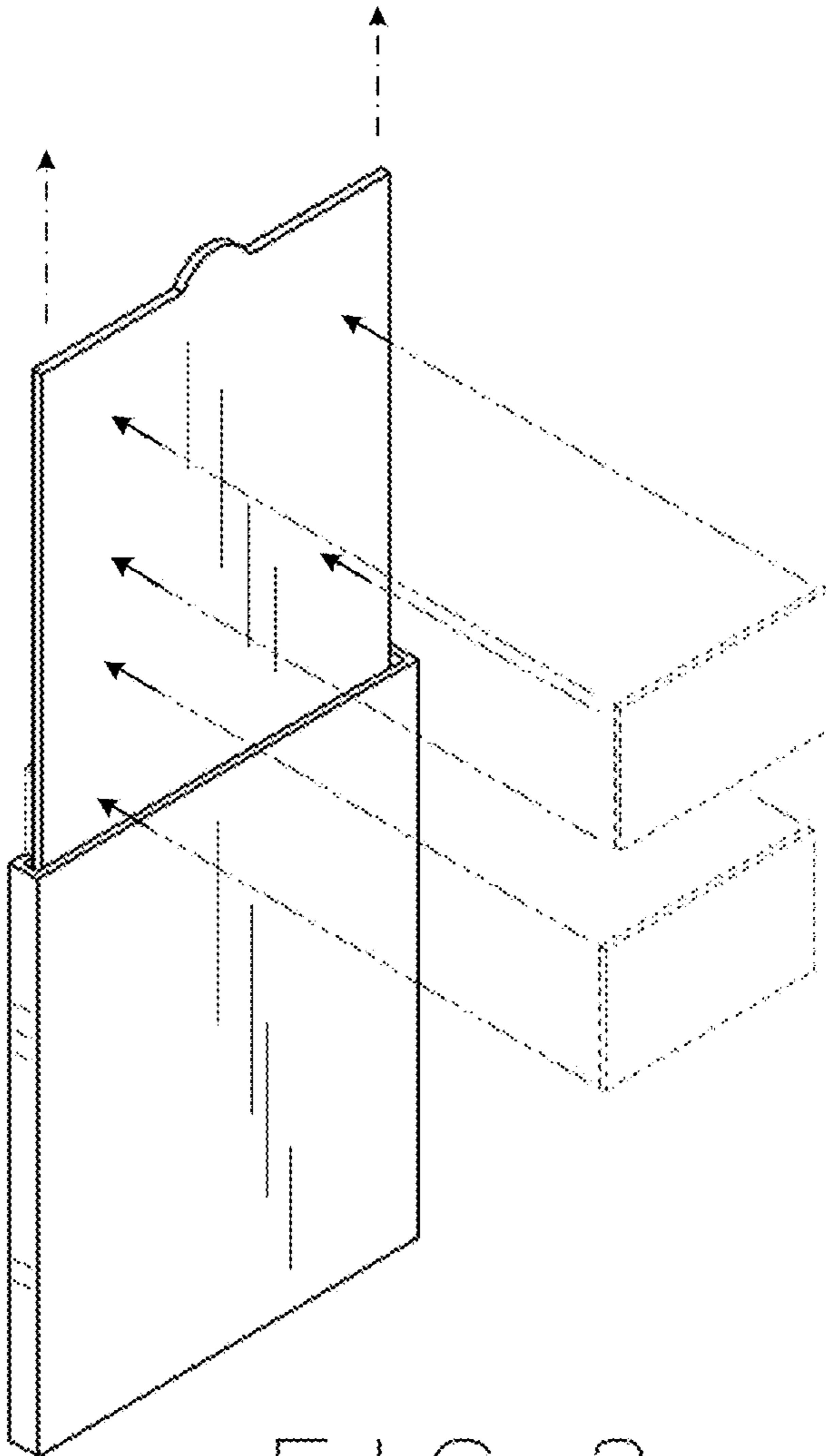


FIG. 2

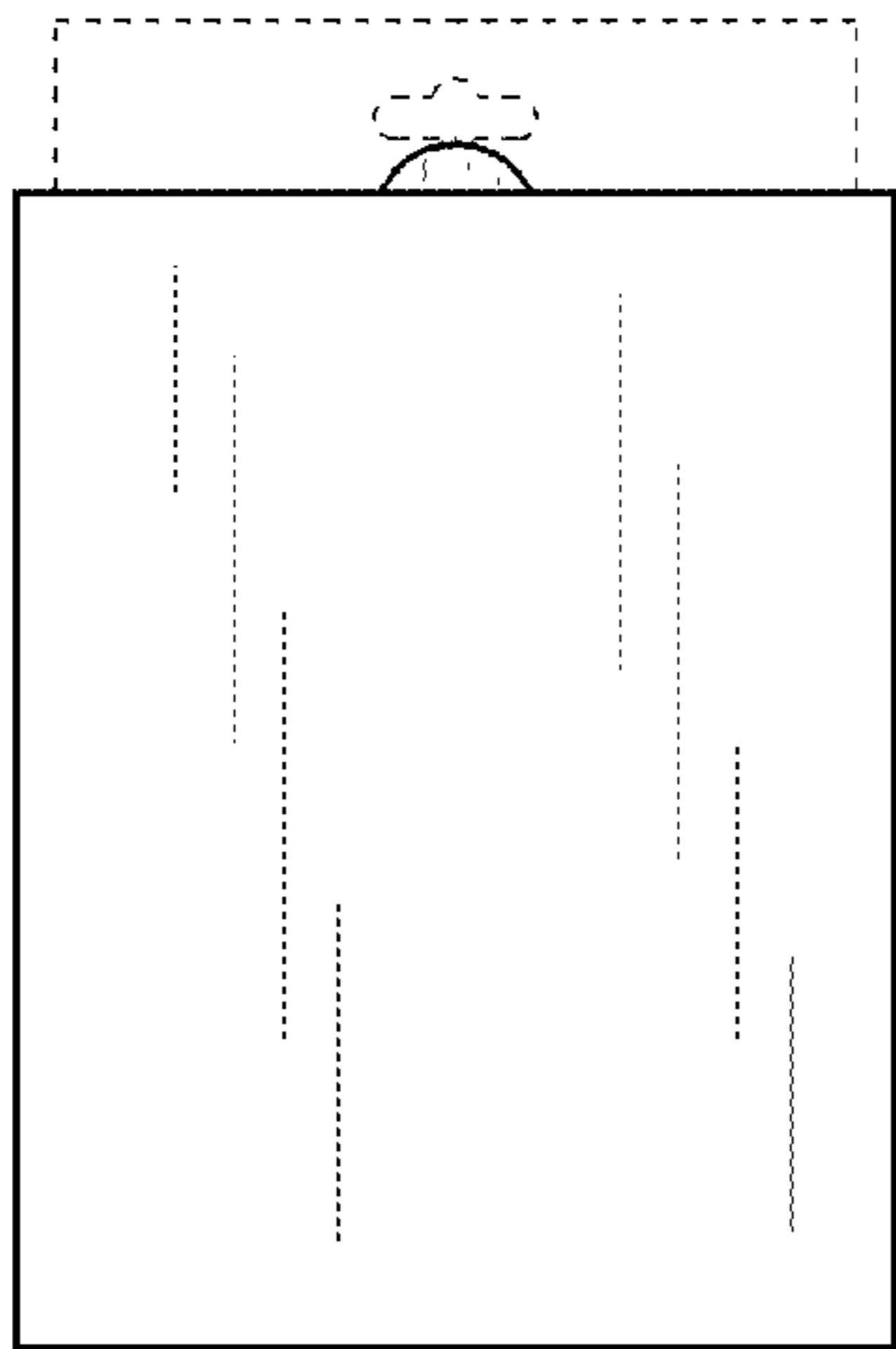


FIG. 3

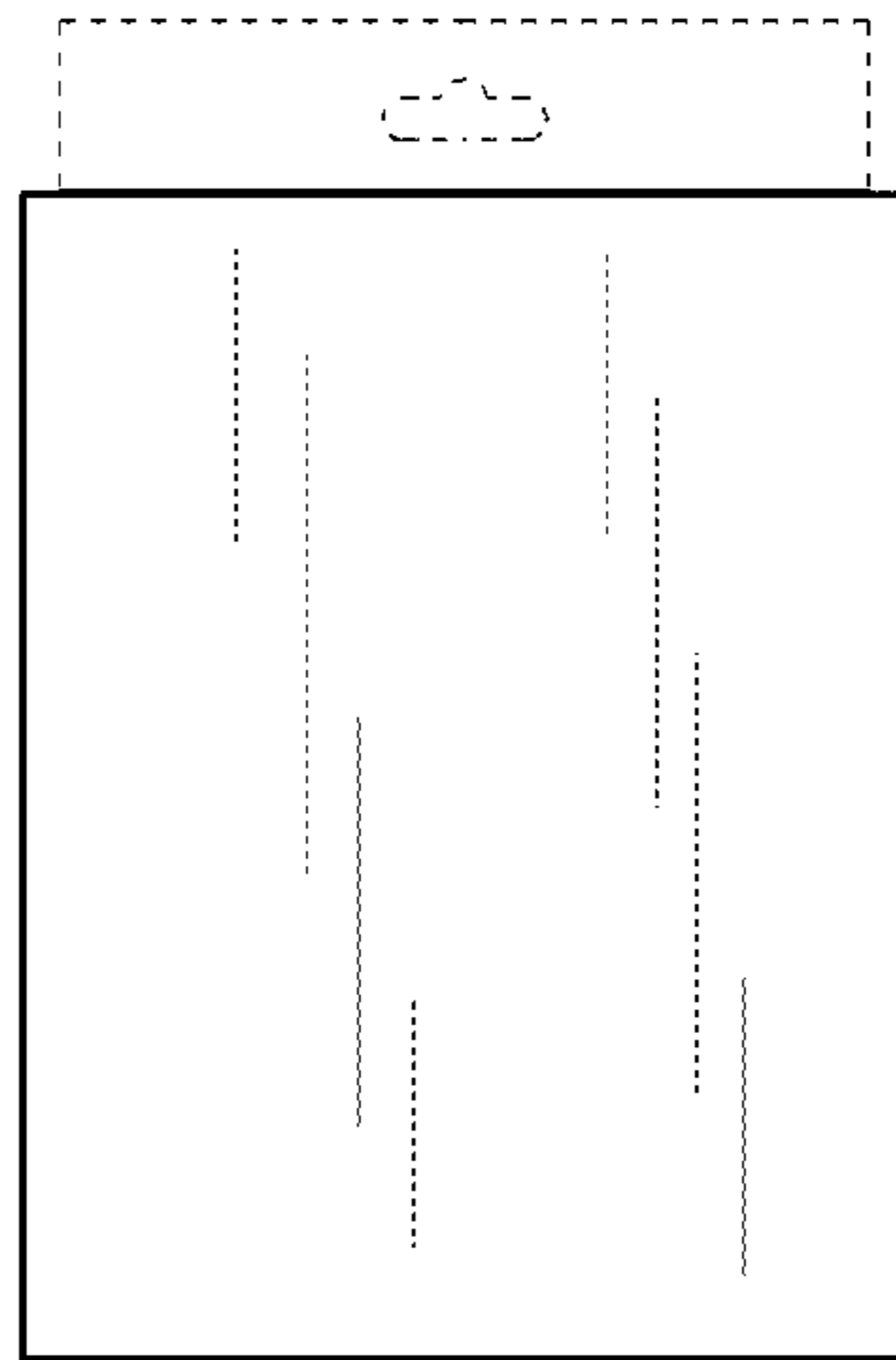


FIG. 4



FIG. 5



FIG. 6

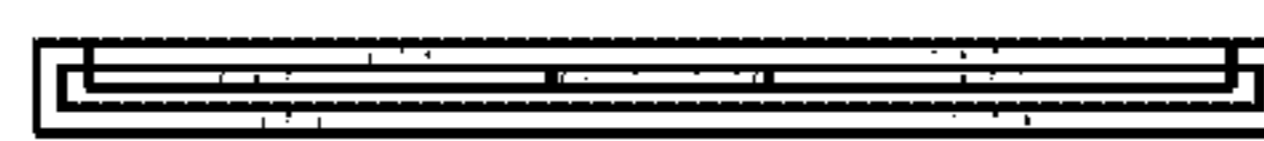


FIG. 7



FIG. 8