



US00D748977S

(12) **United States Design Patent**  
**Doria**

(10) **Patent No.:** **US D748,977 S**

(45) **Date of Patent:** **\*\* Feb. 9, 2016**

(54) **COFFEE CAPSULE**

(71) Applicant: **ESPRESSOCAP S.P.A.**, Bareggio (IT)

(72) Inventor: **Alessandro Doria**, Bareggio (IT)

(73) Assignee: **ESPRESSOCAP S.P.A.**, Bareggio (IT)

(\*\*) Term: **14 Years**

(21) Appl. No.: **29/503,293**

(22) Filed: **Sep. 24, 2014**

(30) **Foreign Application Priority Data**

Mar. 26, 2014 (EM) ..... 002433284-0005

(51) **LOC (10) Cl.** ..... **09-03**

(52) **U.S. Cl.**  
USPC ..... **D9/429; D9/428**

(58) **Field of Classification Search**  
USPC ..... 220/564, 560.09, 568; D7/503, 513,  
D7/527, 541, 542, 545, 566, 586, 587, 601,  
D7/602, 612, 615, 619.1, 629, 630, 624.3,  
D7/373; 206/223, 541, 423, 501, 502, 503,  
206/505, 508, 561, 564; 99/646 C, DIG. 15;  
D11/152, 153; D3/202, 203.3, 302,  
D3/304; D9/414, 416, 417, 418, 419,  
D9/420-438, 440, 447, 454, 499, 500, 502,  
D9/503, 904

CPC ..... B65D 85/8043; B65D 85/8046; B65D  
2565/385; B65D 2575/583; B65D 25/08;  
B65D 47/283; B65D 53/02; B65D 75/5883;  
B65D 81/18; B65D 81/3227; B65D 81/3277;  
B65D 85/70; B65D 2081/001; B65D 81/3238

See application file for complete search history.

(56) **References Cited**

**U.S. PATENT DOCUMENTS**

D288,057 S \* 2/1987 Webster ..... D7/400  
D513,152 S \* 12/2005 Cahen ..... D7/400

D519,831 S \* 5/2006 de Cleir et al. .... D9/428  
D539,643 S \* 4/2007 Abel ..... D9/424  
D587,995 S \* 3/2009 Studee ..... D9/424  
D600,975 S \* 9/2009 Lin ..... D7/397  
D605,502 S \* 12/2009 Honda et al. .... D9/429  
D628,883 S \* 12/2010 Stephens ..... D9/429  
D642,068 S \* 7/2011 Milewski et al. .... D9/696  
D644,924 S \* 9/2011 Lin ..... D9/429  
D682,675 S \* 5/2013 Rapparini ..... D9/429  
D689,768 S \* 9/2013 Inderbitzin ..... D9/429  
D697,797 S \* 1/2014 Hansen ..... D9/429  
D703,035 S \* 4/2014 Zanetti ..... D9/416  
D703,039 S \* 4/2014 Hansen ..... D9/429  
D708,057 S \* 7/2014 Hansen ..... D9/429  
D716,648 S \* 11/2014 Tan ..... D9/416  
8,956,672 B2 \* 2/2015 Yoakim et al. .... 426/77  
D727,141 S \* 4/2015 Mastropasqua et al. .... D9/416  
2002/0020659 A1 \* 2/2002 Sweeney et al. .... 210/416.3  
2011/0111098 A1 \* 5/2011 Ricotti ..... 426/89  
2014/0087028 A1 \* 3/2014 Orsi ..... 426/77  
2015/0017290 A1 \* 1/2015 Rondelli ..... 426/115  
2015/0037470 A1 \* 2/2015 Zweed et al. .... 426/115

\* cited by examiner

*Primary Examiner* — Philip S Hyder

*Assistant Examiner* — Keith Frank

(74) *Attorney, Agent, or Firm* — Steinfl & Bruno LLP

(57) **CLAIM**

The ornamental design for a coffee capsule, as shown and described.

**DESCRIPTION**

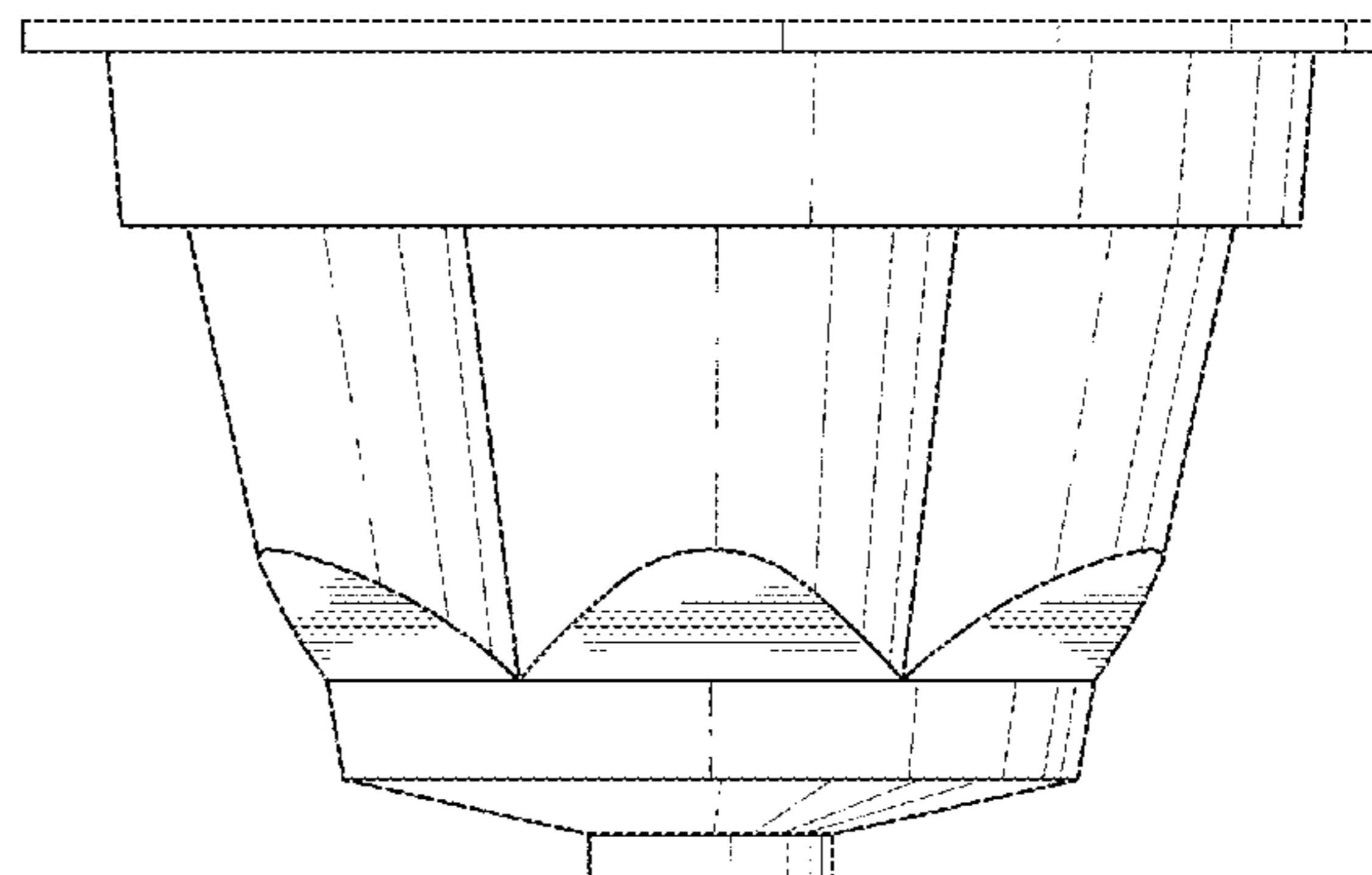
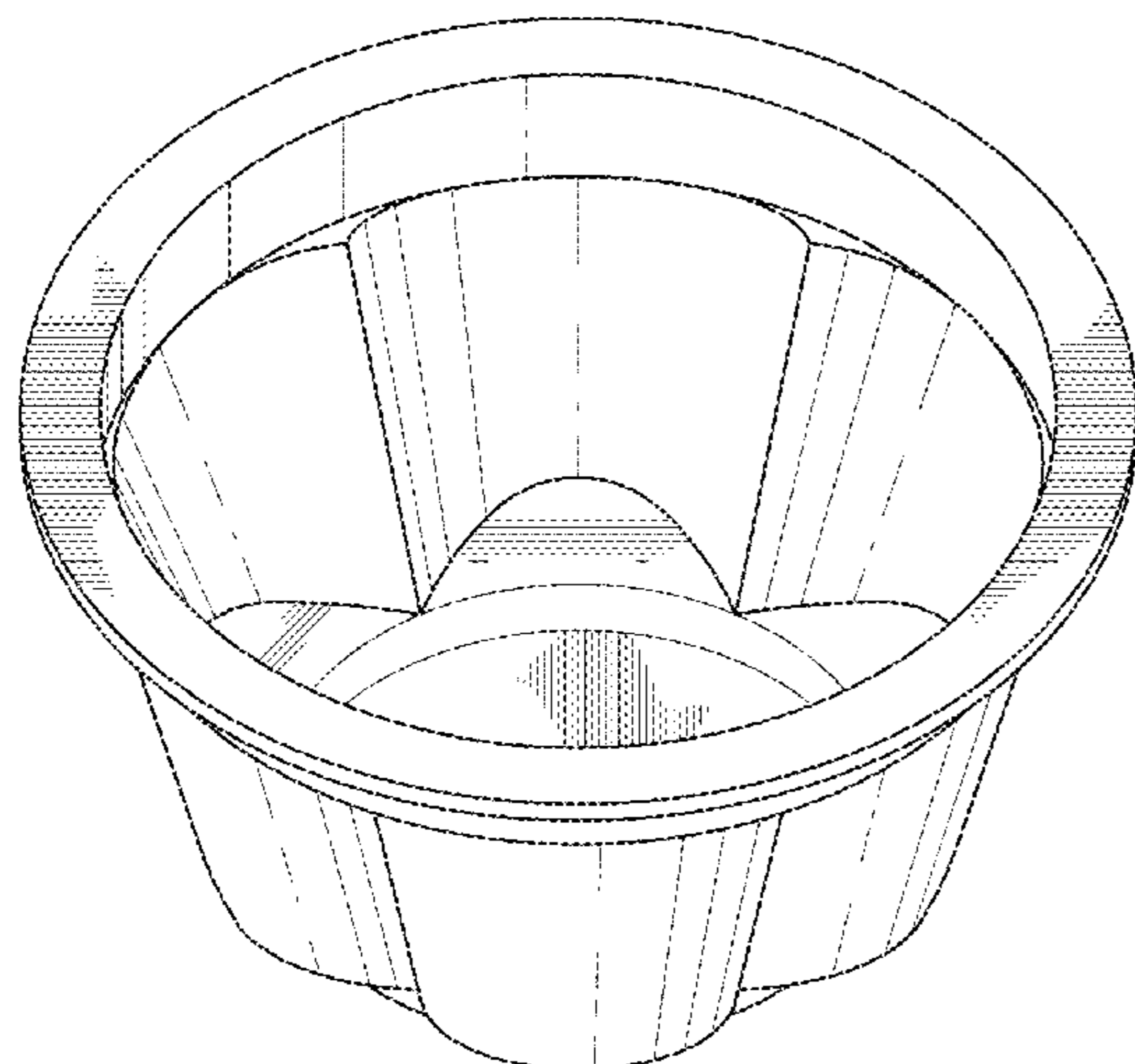
FIG. 1 is a top perspective view of a coffee capsule according to my new design.

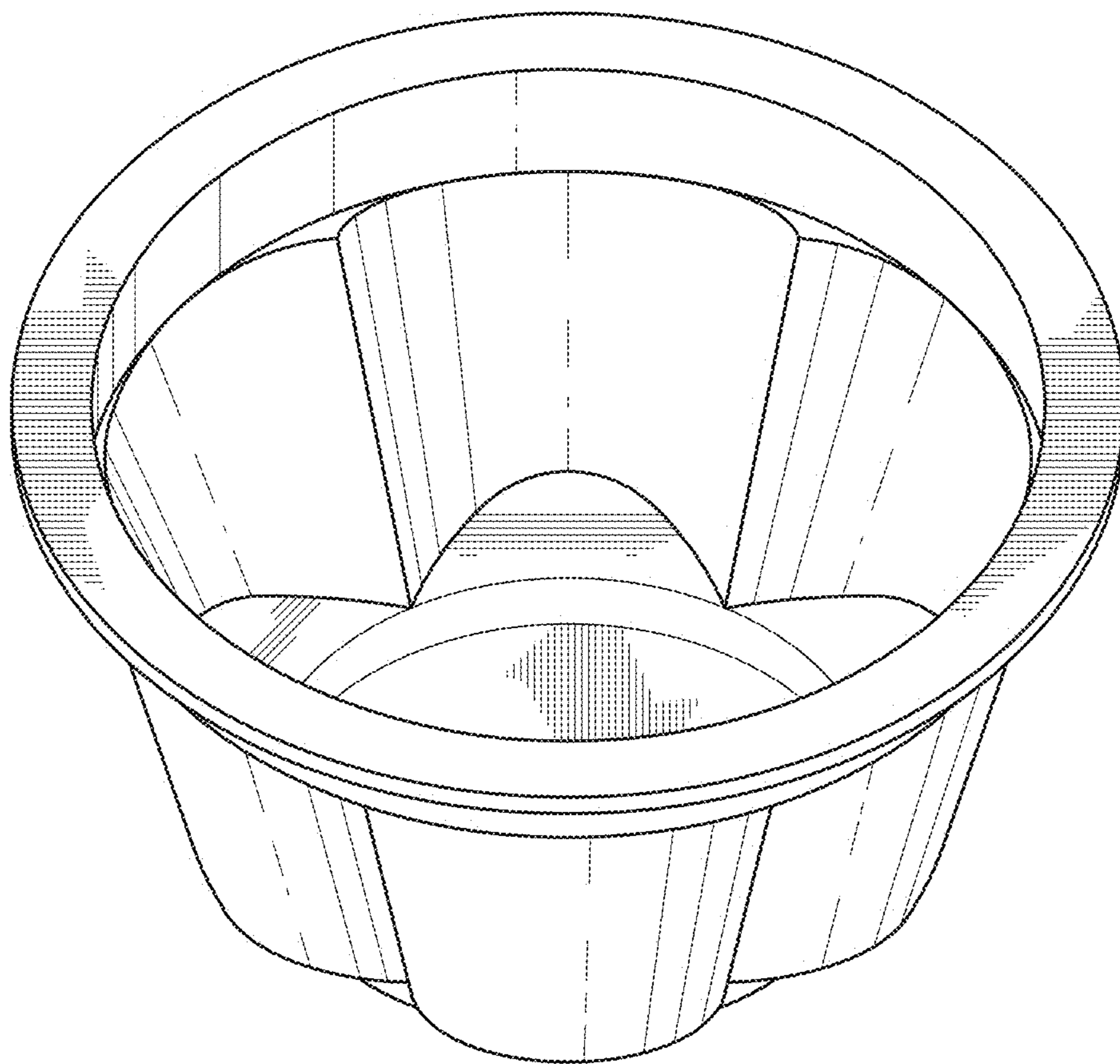
FIG. 2 is a top plan view thereof; and,

FIG. 3 is a side elevation view thereof.

The broken lines in FIG. 2 depict portions of the coffee capsule in which the design is embodied that are not considered part of the claimed design.

**1 Claim, 3 Drawing Sheets**





*FIG. 1*

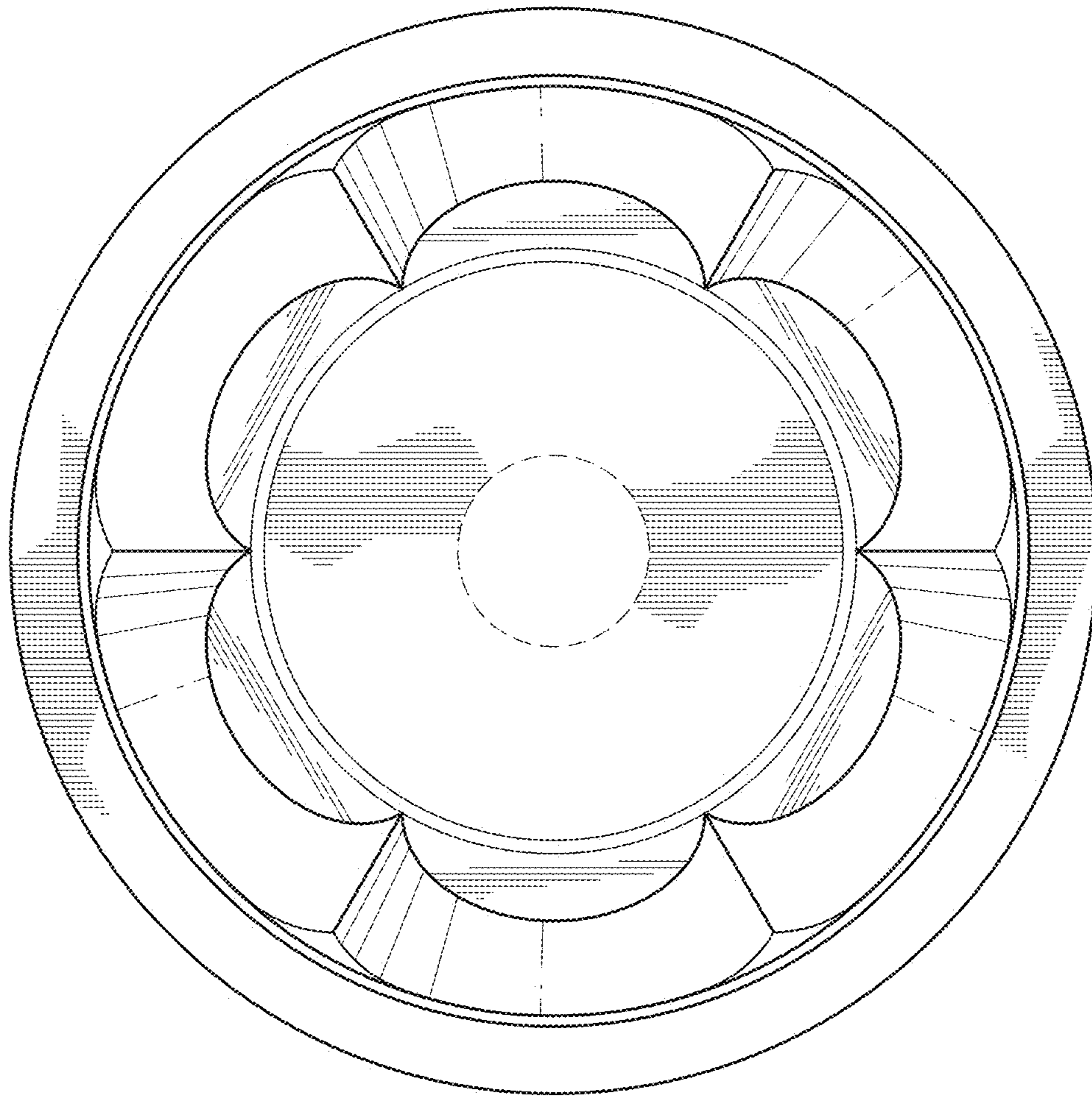
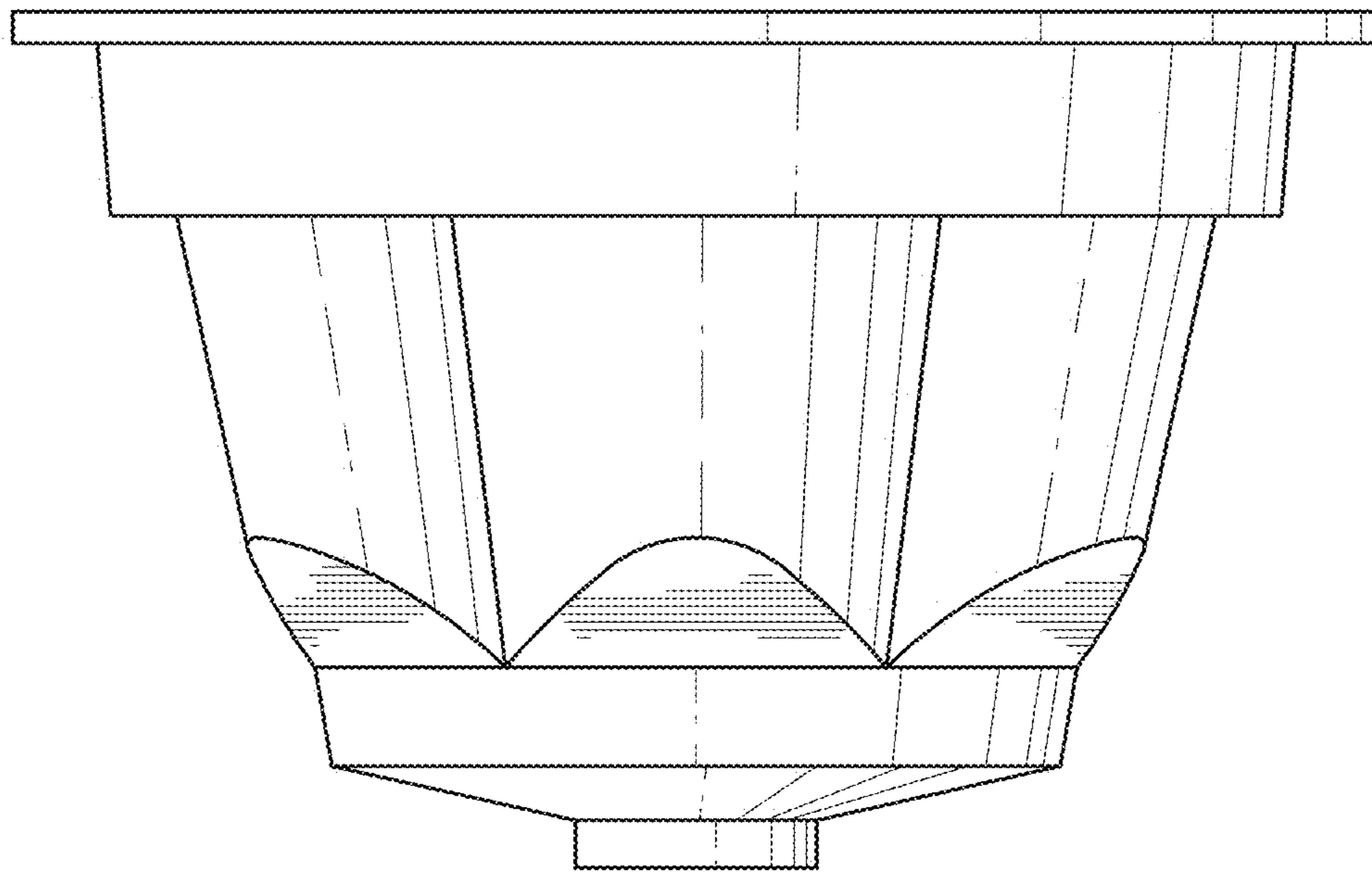


FIG. 2



*FIG. 3*