



US00D748973S

(12) **United States Design Patent**
Rodenhouse et al.

(10) **Patent No.:** **US D748,973 S**
(45) **Date of Patent:** **** Feb. 9, 2016**

(54) **WASHER**
(71) Applicant: **Rodenhouse, Inc.**, Grand Rapids, MI (US)
(72) Inventors: **Robert H. Rodenhouse**, Grand Rapids, MI (US); **Jason R. Wigboldy**, Grand Rapids, MI (US)
(73) Assignee: **Rodenhouse, Inc.**, Grand Rapids, MI (US)
(**) Term: **14 Years**

5,541,377 A 7/1996 Stuhlmacher
5,755,545 A * 5/1998 Banks E04D 3/3606
411/482
5,833,422 A 11/1998 Haga et al.
D410,869 S * 6/1999 Singer D12/114
6,039,525 A 3/2000 Johnson
6,231,063 B1 * 5/2001 Chi B62K 21/06
280/276
D482,270 S 11/2003 Derilo
D517,404 S * 3/2006 Schluter D8/387
D549,091 S 8/2007 McIntyre et al.
D576,480 S 9/2008 Vakiener et al.
D596,934 S 7/2009 Vakiener et al.
D634,248 S * 3/2011 Chen D12/177

(Continued)

(21) Appl. No.: **29/514,877**
(22) Filed: **Jan. 16, 2015**
(51) **LOC (10) Cl.** **08-08**
(52) **U.S. Cl.**
USPC **D8/399**
(58) **Field of Classification Search**
USPC D8/397, 394, 382, 349, 312, 107, 399;
D11/222; D2/869
CPC F16L 19/0206; B60B 3/16; F16B 39/26;
F16B 39/24; F16B 37/02; F16B 31/02;
H01R 9/0524
See application file for complete search history.

OTHER PUBLICATIONS

Brochure disclosing 2" diameter Plasti-Grip® PBLP2 washer distributed by Rodenhouse Inc. more than one year prior to Sep. 6, 2012.

(Continued)

Primary Examiner — Cynthia Underwood
(74) *Attorney, Agent, or Firm* — Gardner, Linn, Burkhardt & Flory LLP

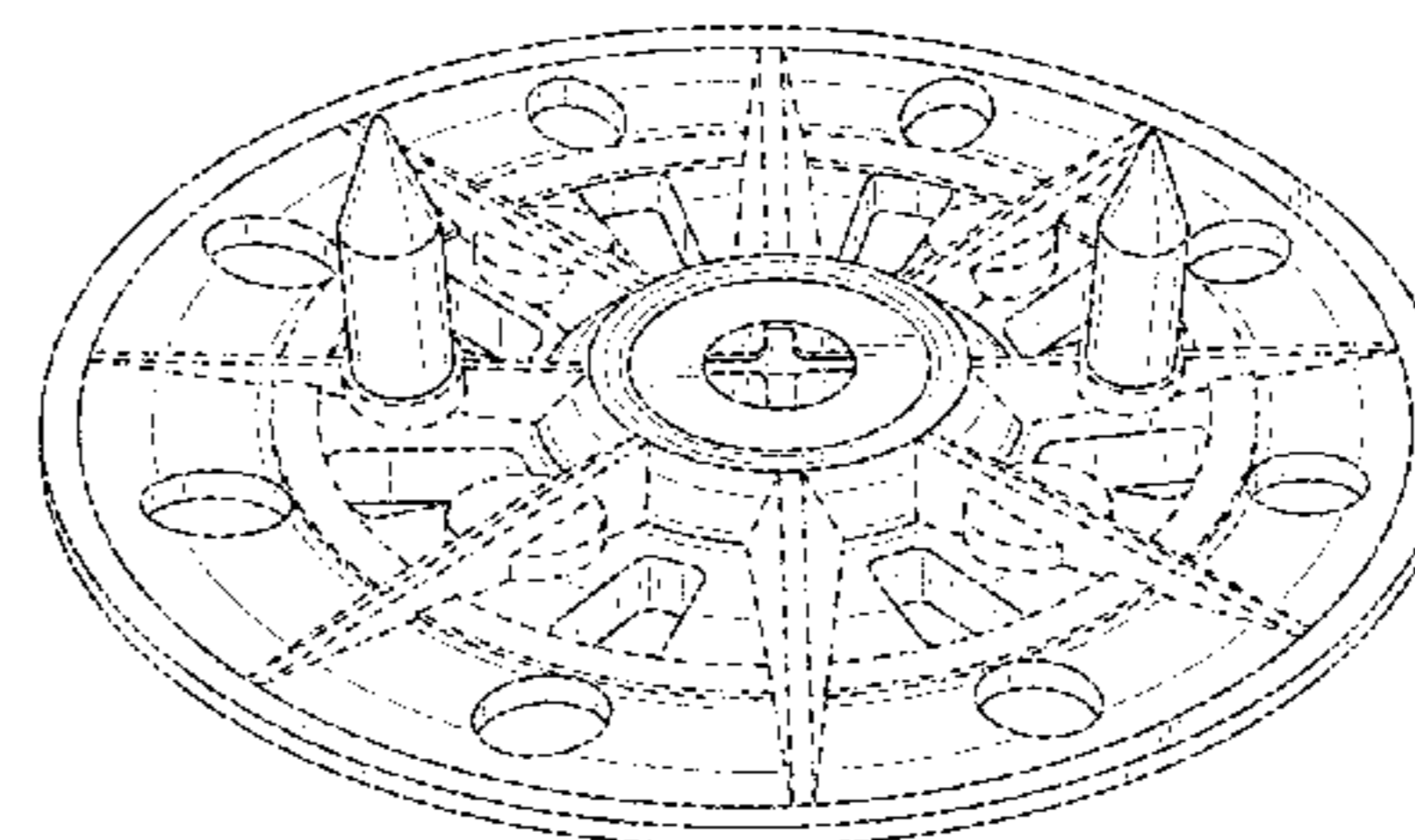
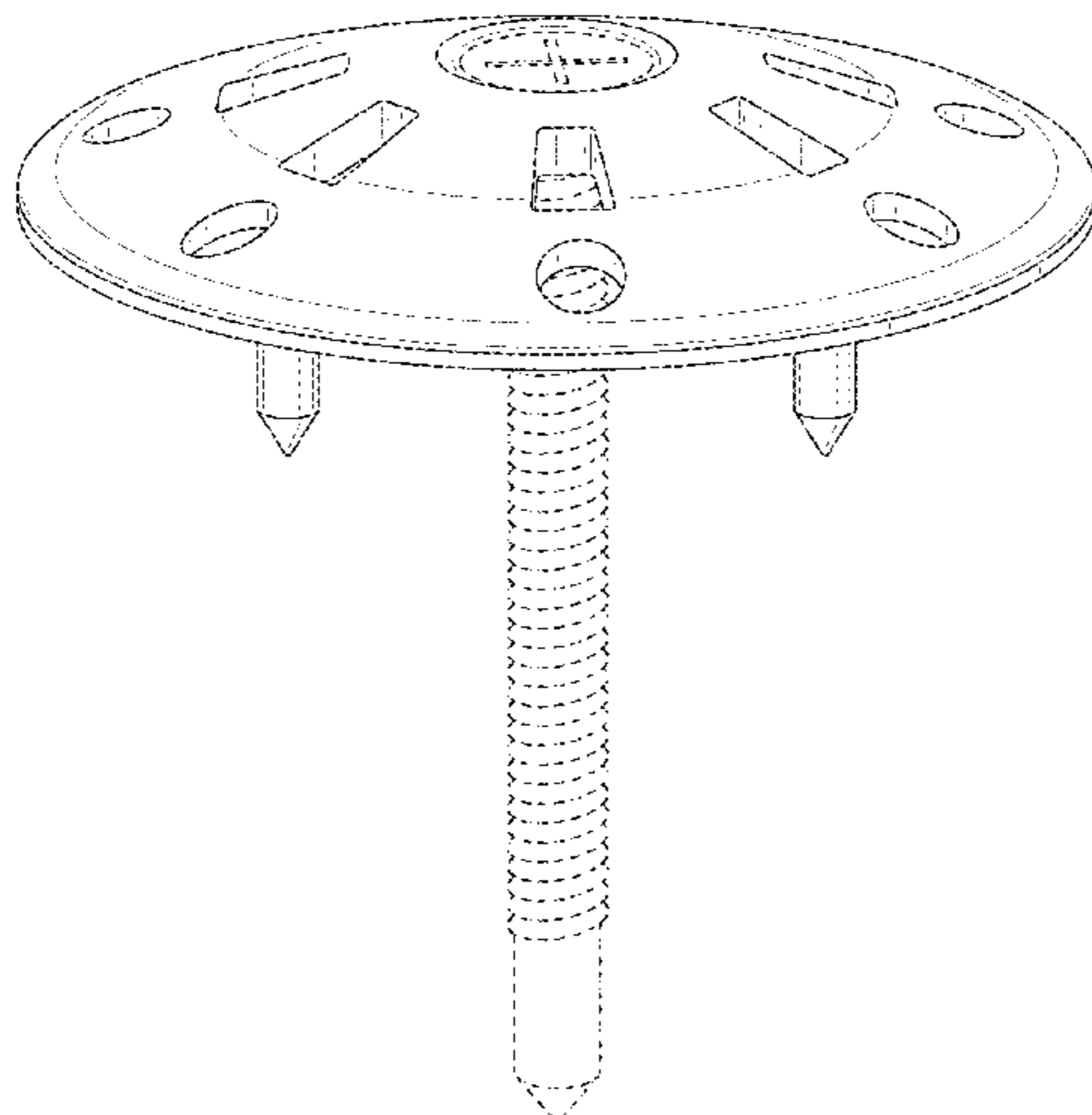
(57) **CLAIM**
The ornamental design for the washer, as shown and described.

DESCRIPTION

FIG. 1 is a top side perspective view of the washer showing the design in an environment of use;
FIG. 2 is a top perspective view of the washer of FIG. 1;
FIG. 3 is a top plan view of the washer of FIG. 1;
FIG. 4 is a bottom plan view of the washer of FIG. 1;
FIG. 5 is a side elevation view of the washer of FIG. 1; and,
FIG. 6 is a bottom side perspective view of the washer of FIG. 1.
The broken lines depict environmental subject matter and form no part of the claim.

1 Claim, 6 Drawing Sheets

(56) **References Cited**
U.S. PATENT DOCUMENTS
D32,793 S 6/1900 Fauber
3,069,919 A * 12/1962 Schultz, Jr. F16H 55/44
474/169
4,102,239 A 7/1978 Dallas
4,292,876 A * 10/1981 De Graan F16B 43/001
411/369
4,793,757 A 12/1988 Peterson
5,079,055 A 1/1992 Doyle
5,419,666 A 5/1995 Best
5,423,858 A 6/1995 Bolanos et al.
5,517,883 A 5/1996 Goldi et al.



(56)

References Cited

U.S. PATENT DOCUMENTS

7,896,380	B2 *	3/2011	Tange	B62K 19/32 280/276
D644,921	S *	9/2011	Hsu	D8/399
D645,337	S *	9/2011	Hsu	D8/399
D660,691	S	5/2012	Yamazaki	
D663,243	S *	7/2012	Li	D12/118
8,413,740	B2	4/2013	Rodenhouse	
D682,666	S	5/2013	Wigboldy	
D696,930	S	1/2014	Rodenhouse et al.	
D696,931	S	1/2014	Rodenhouse et al.	
D696,932	S	1/2014	Rodenhouse et al.	
8,753,042	B1 *	6/2014	Thompson	F16B 5/0692 405/259.1
D710,191	S *	8/2014	Yamazaki	D8/399
D719,798	S *	12/2014	Thompson	D8/1
2004/0060723	A1 *	4/2004	Pallapothu	B60R 16/0222 174/653
2004/0084099	A1 *	5/2004	Miura	F16L 55/1141 138/89
2006/0171794	A1	8/2006	Ordonio, Jr. et al.	
2008/0310932	A1	12/2008	McIntyre et al.	

OTHER PUBLICATIONS

Brochure disclosing 1 3/4" diameter Plasti-Grip® CBW washer distributed by Rodenhouse Inc. more than one year prior to Sep. 6, 2012.

Brochure disclosing 1 1/4" diameter Grip-Plate® Tab washer distributed by Rodenhouse Inc. more than one year prior to Sep. 6, 2012.

Brochure disclosing 1 1/4" diameter Grip-Plate® Plastic washer distributed by Rodenhouse Inc. more than one year prior to Sep. 6, 2012.

Brochure disclosing 2" diameter Plasti-Grip® CBW2 washer distributed by Rodenhouse Inc. more than one year prior to Sep. 6, 2012.

Brochure disclosing 1 3/4" diameter Plasti-Grip® III washer distributed by Rodenhouse Inc. more than one year prior to Sep. 6, 2012.

Brochure disclosing Plasti-Grip® PMF Plastic Masonry Fastener distributed by Rodenhouse Inc. more than one year prior to Sep. 6, 2012.

Brochure disclosing 3" diameter Grip-Lok® "Hurricane" washer distributed by Rodenhouse Inc. more than one year prior to Sep. 6, 2012.

* cited by examiner

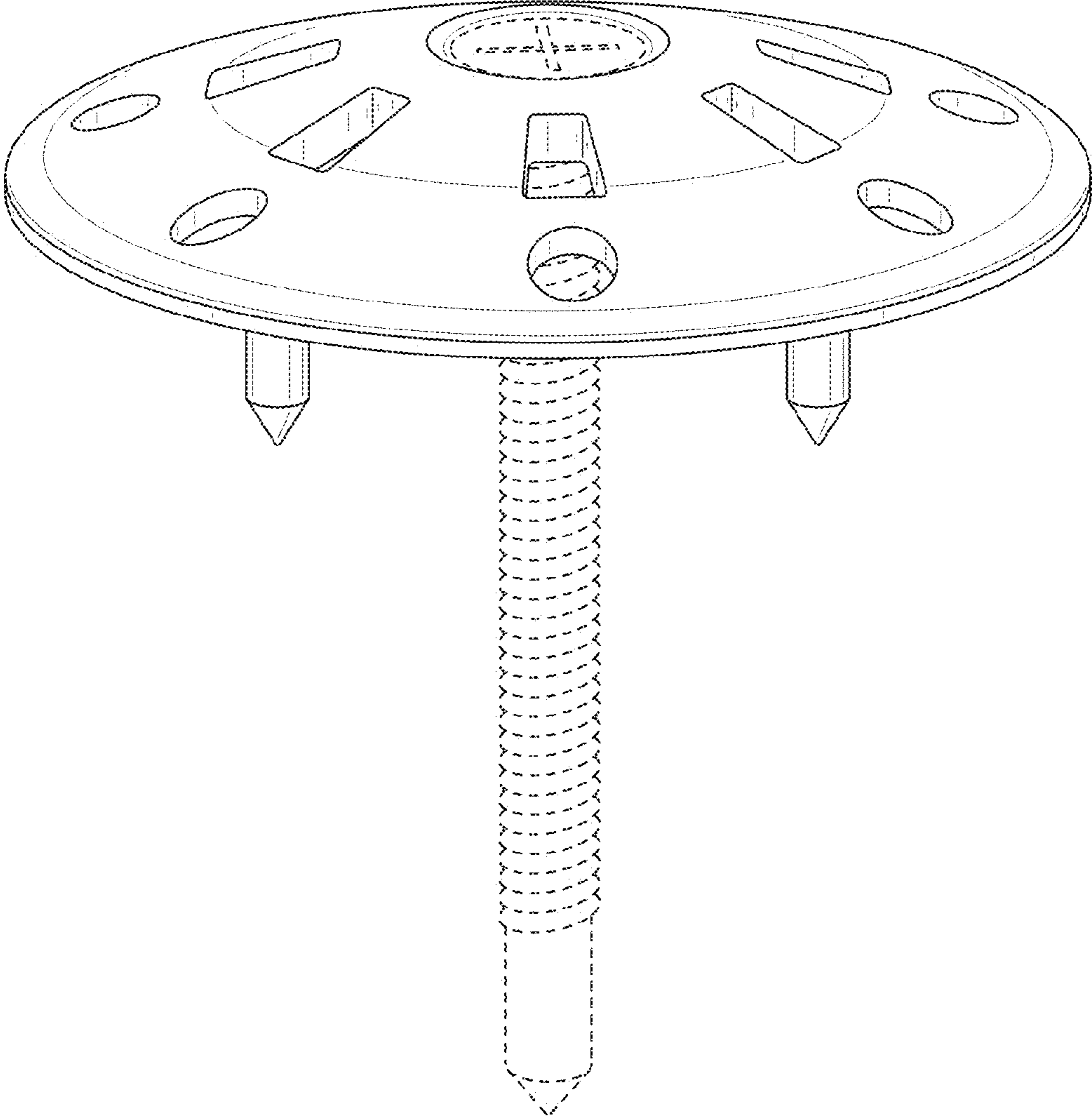


FIG. 1

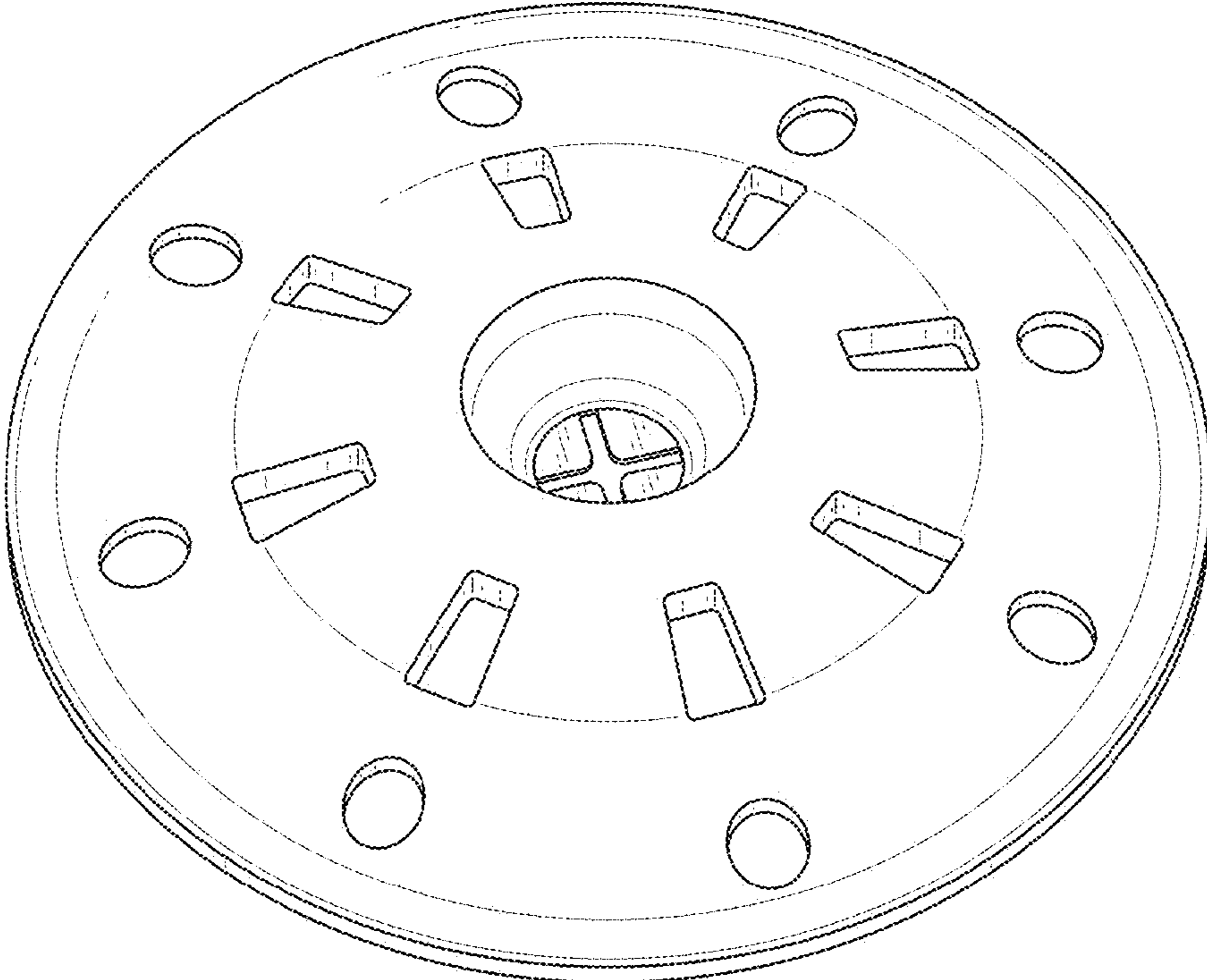


FIG. 2

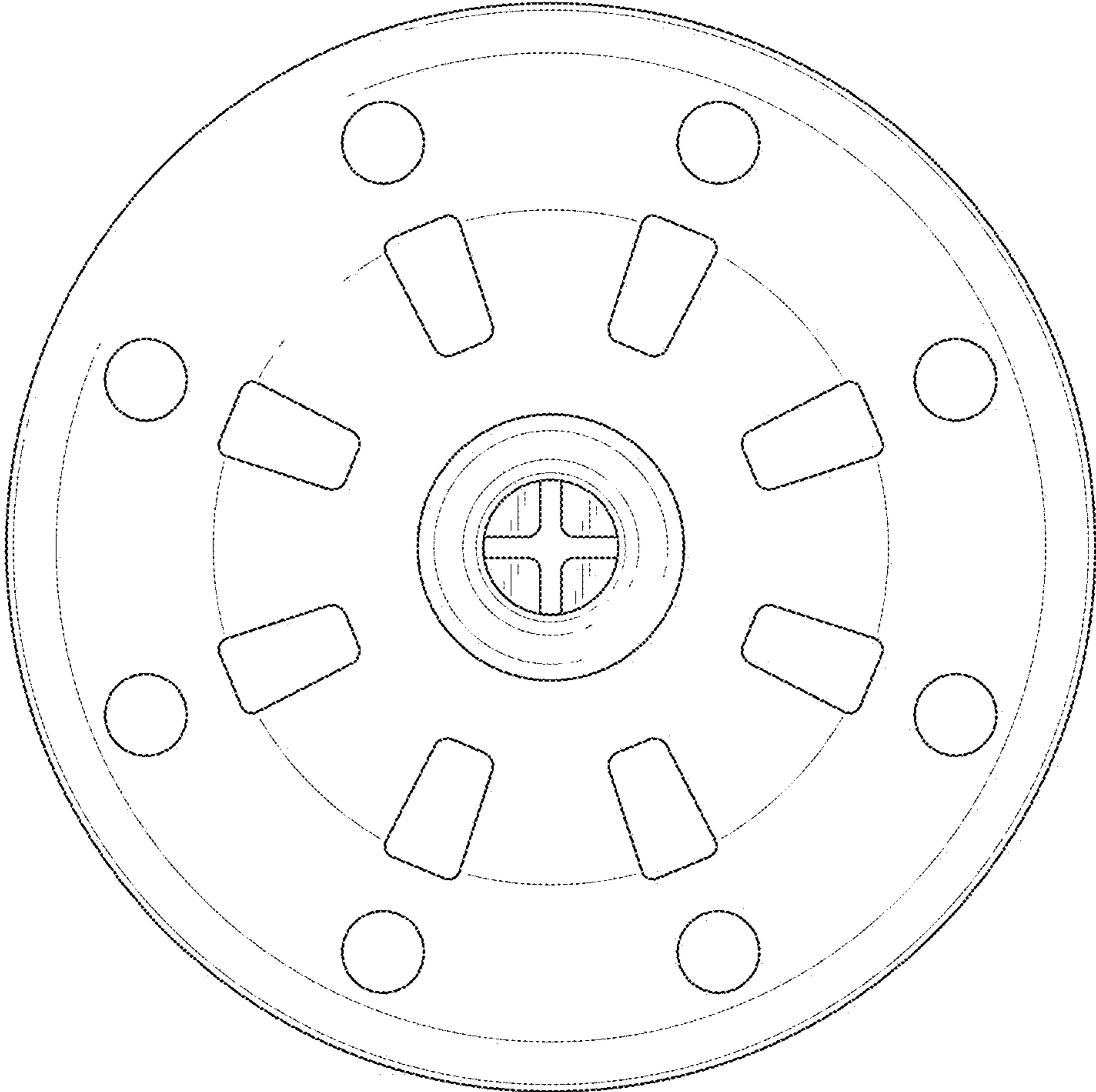


FIG. 3

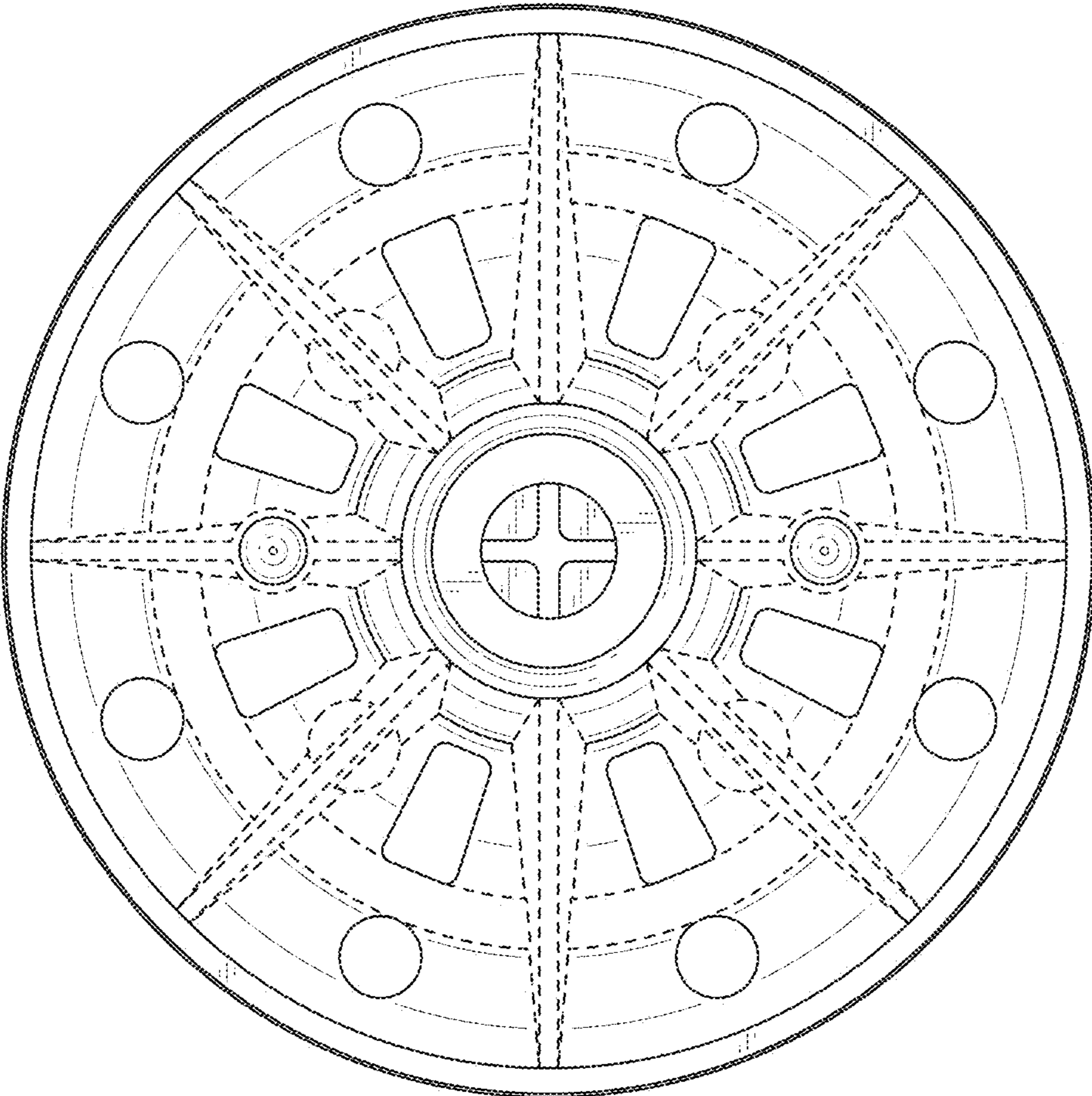


FIG. 4

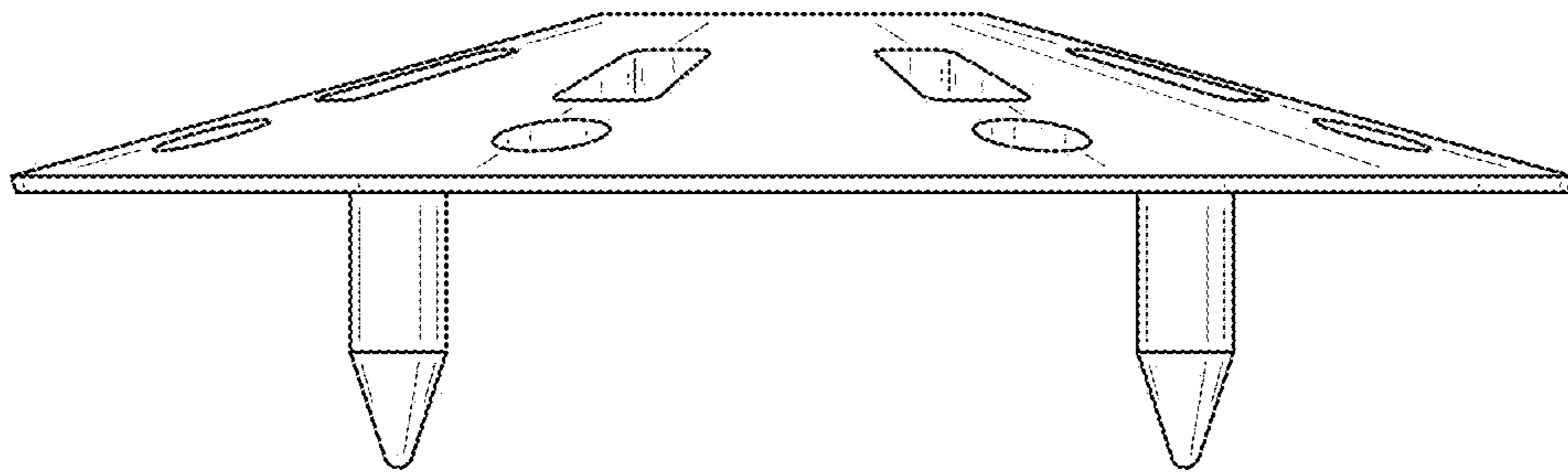


FIG. 5

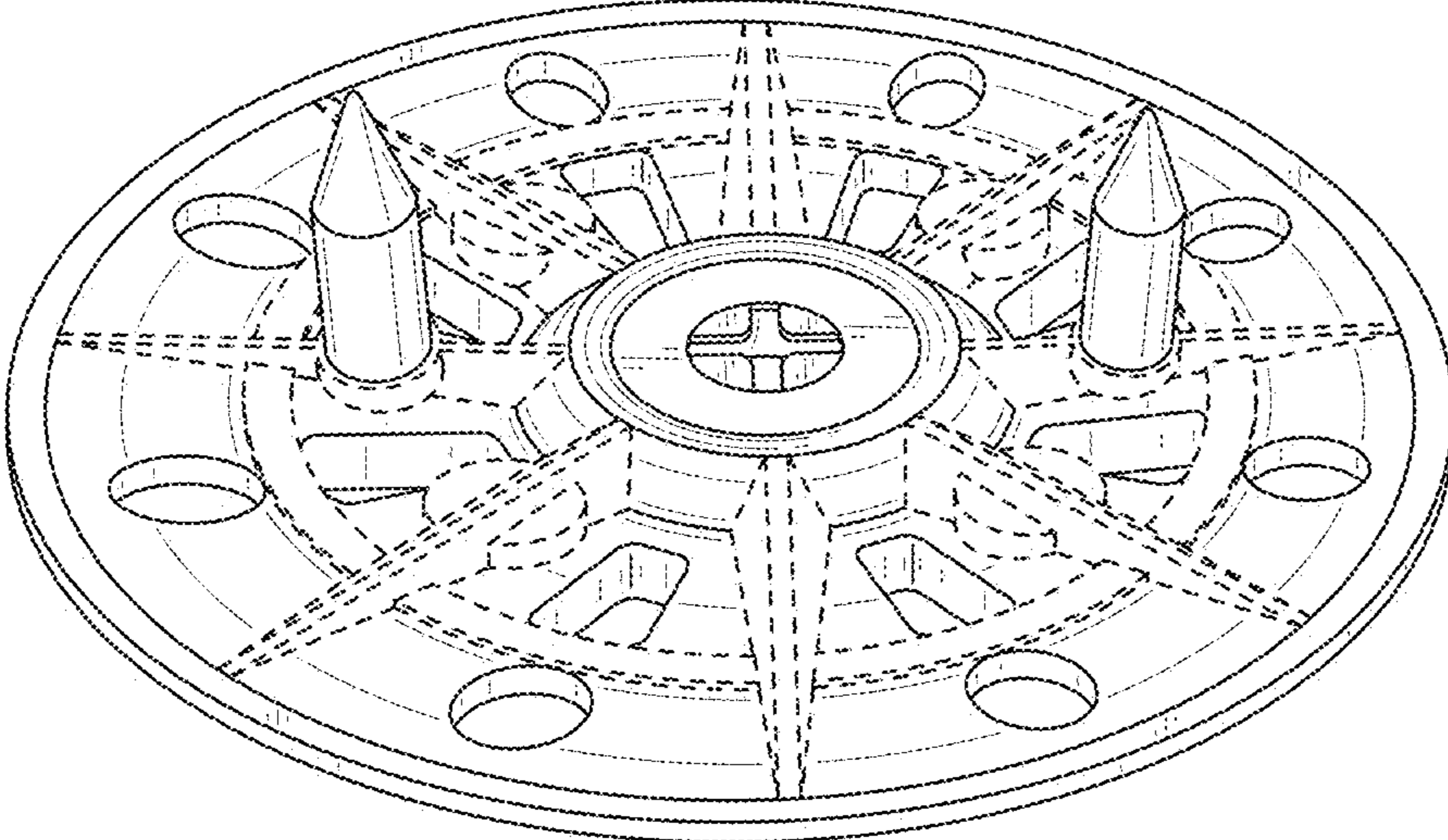


FIG. 6