



US00D748966S

(12) **United States Design Patent**
Morinaga

(10) **Patent No.:** **US D748,966 S**

(45) **Date of Patent:** **** Feb. 9, 2016**

(54) **DOOR HINGE FOR AUTOMOBILE**

(71) Applicant: **Mitsui Kinzoku Act Corporation,**
Yokohama-shi, Kanagawa (JP)

(72) Inventor: **Hiroshi Morinaga,** Yokohama (JP)

(73) Assignee: **MITSUI KINZOKU ACT**
CORPORATION, Yokohama-Shi (JP)

(**) Term: **14 Years**

(21) Appl. No.: **29/513,017**

(22) Filed: **Dec. 24, 2014**

(51) **LOC (10) Cl.** **08-06**

(52) **U.S. Cl.**
USPC **D8/323**

(58) **Field of Classification Search**
USPC D8/323, 328; 16/250, 338, 227;
D12/223
CPC E05D 5/12; E05D 11/082; E05D 1/02;
B64G 1/222; A47B 96/061
See application file for complete search history.

(56) **References Cited**

U.S. PATENT DOCUMENTS

D289,605 S *	5/1987	Lytle	D8/381
D383,430 S *	9/1997	Jeffries	D12/223
D437,282 S *	2/2001	Joll	D12/223
D474,958 S *	5/2003	Perdue	D8/349
D478,801 S *	8/2003	Spruill	D8/354
7,007,905 B2 *	3/2006	Roberts	A47B 96/061 108/108

D548,051 S *	8/2007	Ruppert	D8/354
D568,728 S *	5/2008	Zadak	D8/380
D610,434 S *	2/2010	Watts	D8/349
D611,886 S *	3/2010	Peschmann	D12/223
D611,887 S *	3/2010	Peschmann	D12/223
D619,879 S *	7/2010	McCarthy	D8/354
D631,734 S *	2/2011	Fernandez	D8/380
D695,593 S *	12/2013	Nunez Farfan	D8/354
D698,628 S *	2/2014	Stanley	D8/367
D728,348 S *	5/2015	Munson	D8/354

* cited by examiner

Primary Examiner — Cynthia Underwood

(74) *Attorney, Agent, or Firm* — Foley & Lardner LLP

(57) **CLAIM**

The ornamental design for a door hinge for automobile, as shown and described.

DESCRIPTION

FIG. 1 is a perspective view of front, right side and top view of a door hinge for automobile showing my new design; FIG. 2 is a perspective view of rear, left and bottom thereof; FIG. 3 is a front view thereof; FIG. 4 is a rear view thereof; FIG. 5 is a left side view thereof; FIG. 6 is a right side view thereof; FIG. 7 is a top view thereof; FIG. 8 is a bottom view thereof; and, FIG. 9 is another perspective view showing usage state thereof.

The broken lines in the drawings depict environmental subject matter/or parts of the door hinge for automobile and form no part of the claimed design.

1 Claim, 6 Drawing Sheets

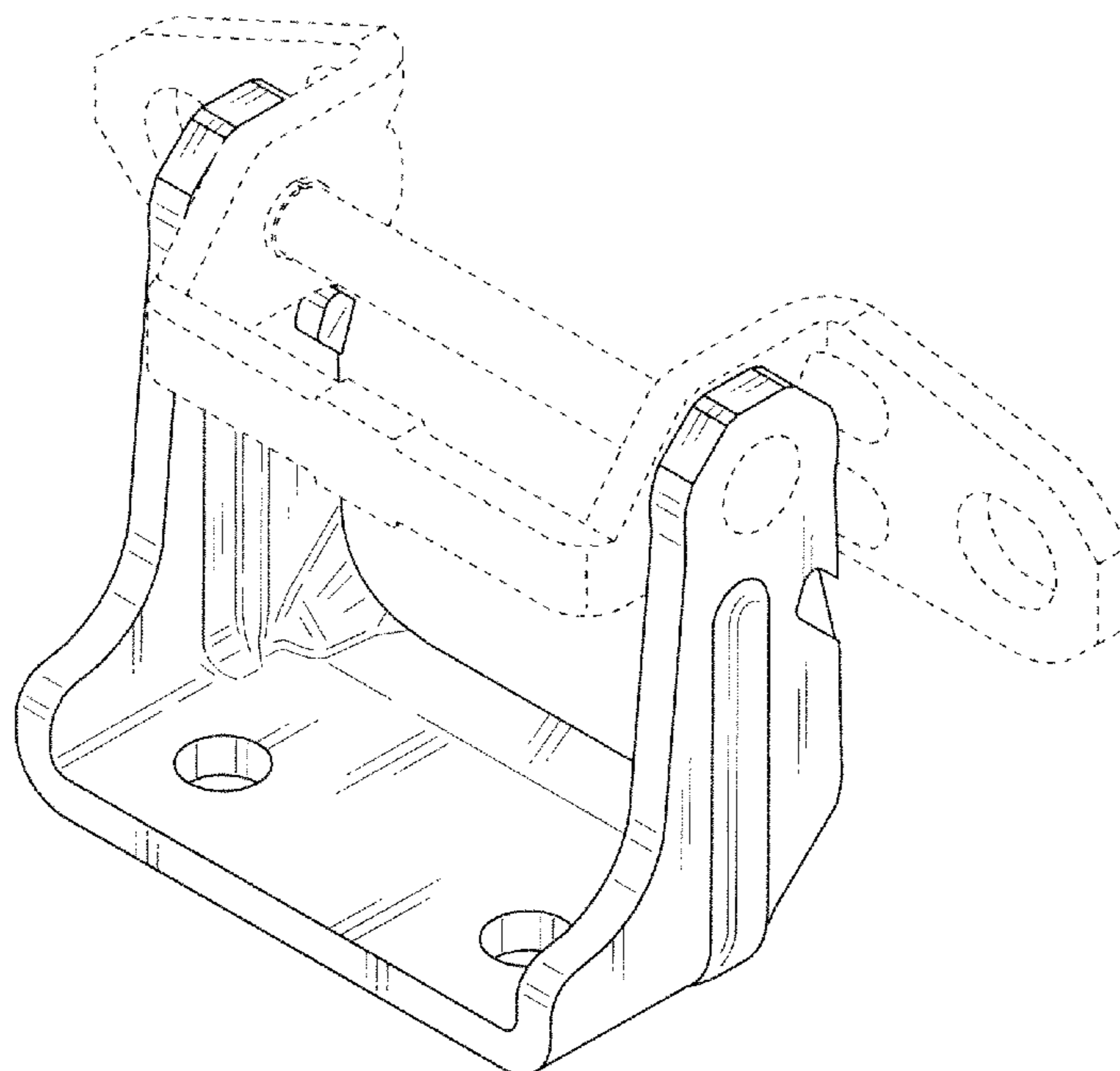


Fig. 1

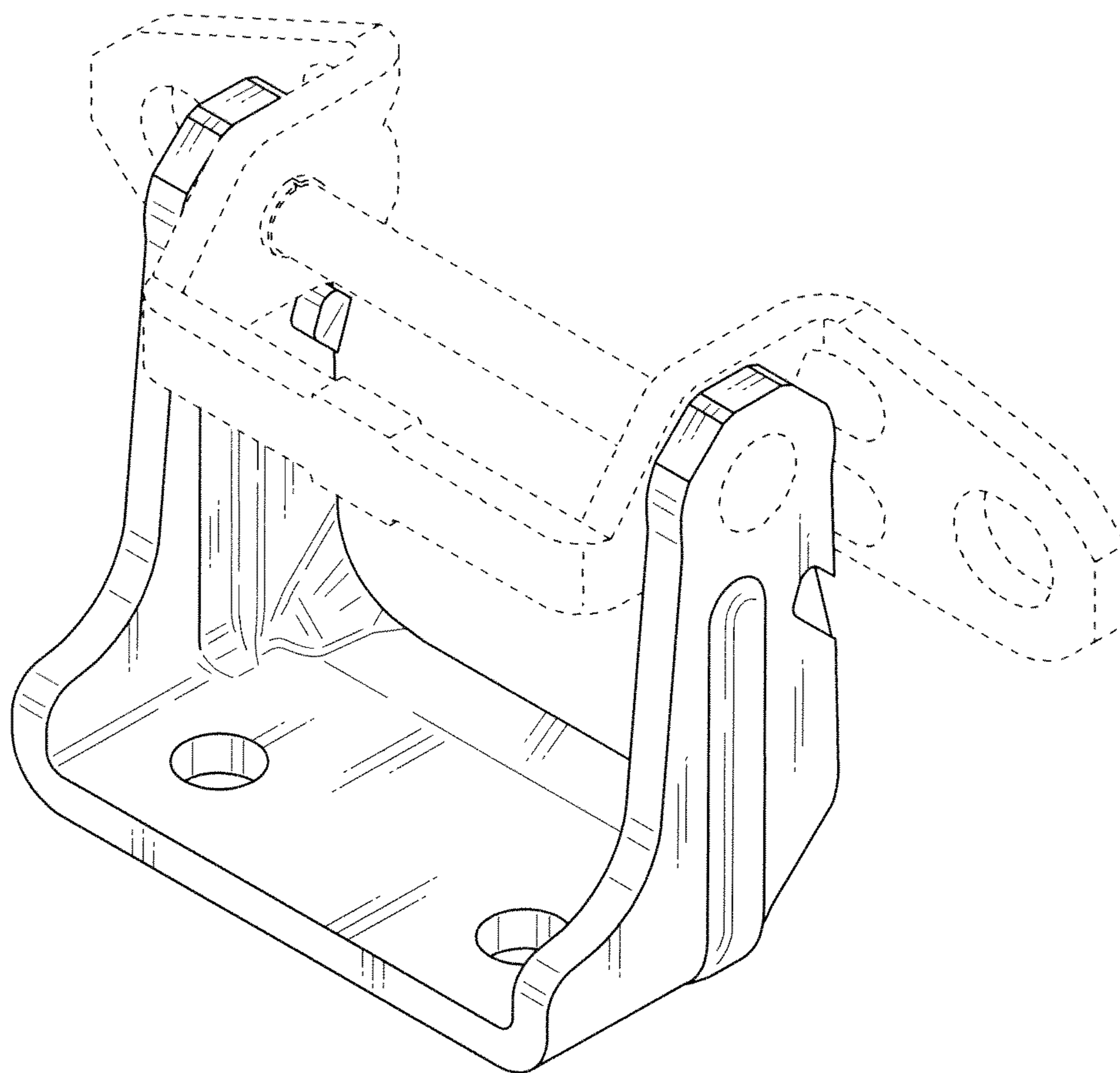


Fig. 2

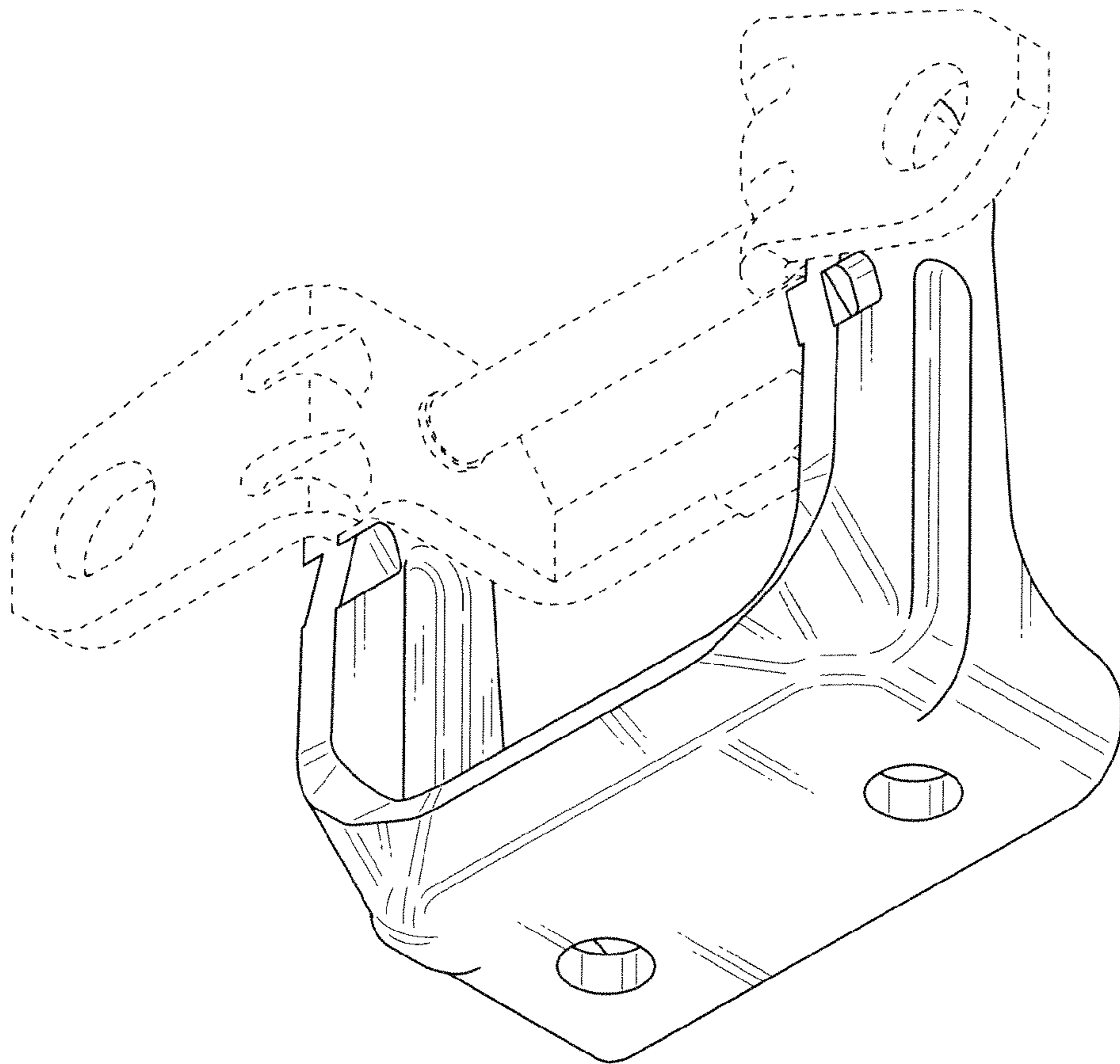


Fig. 3

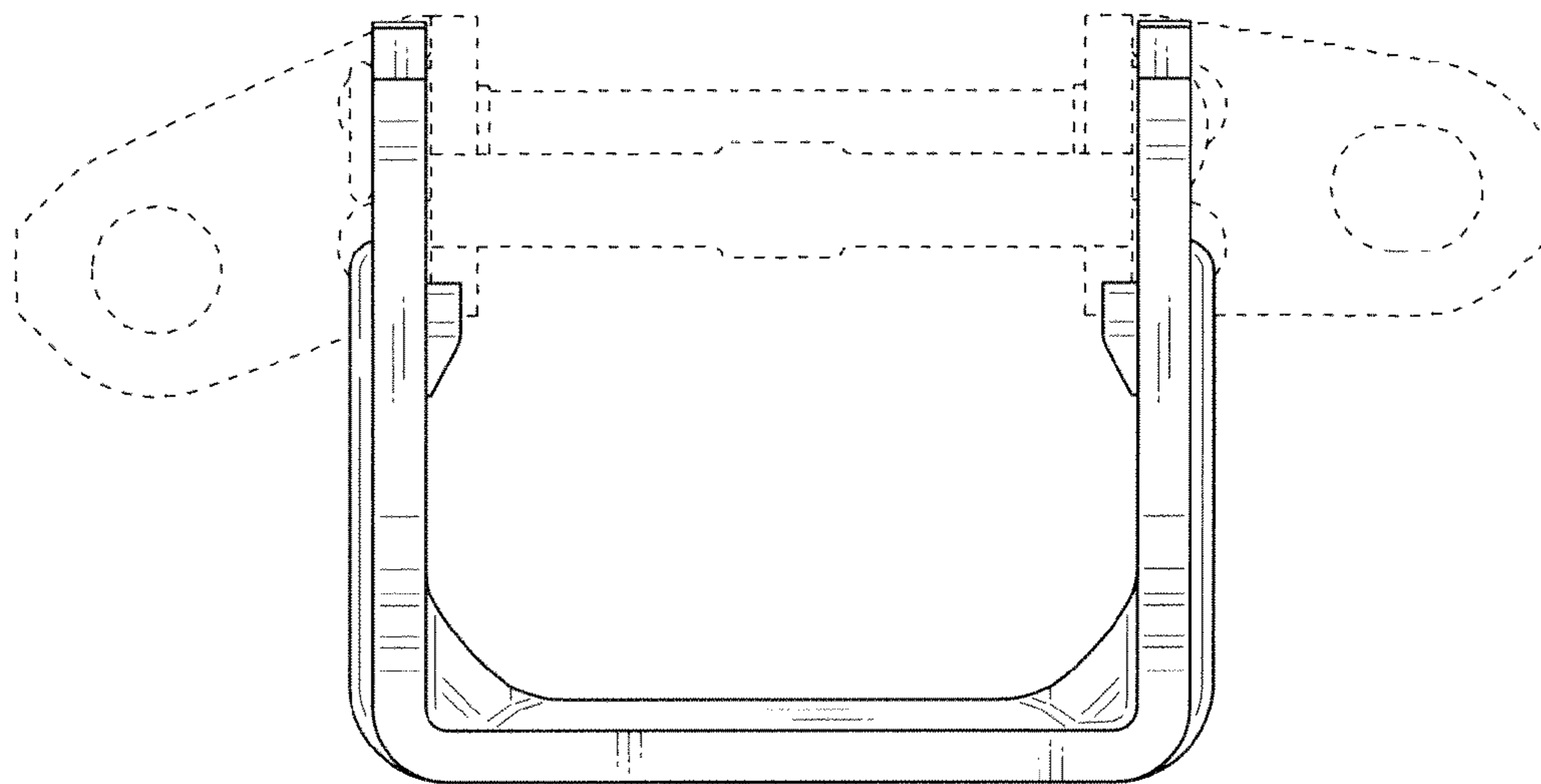


Fig. 4

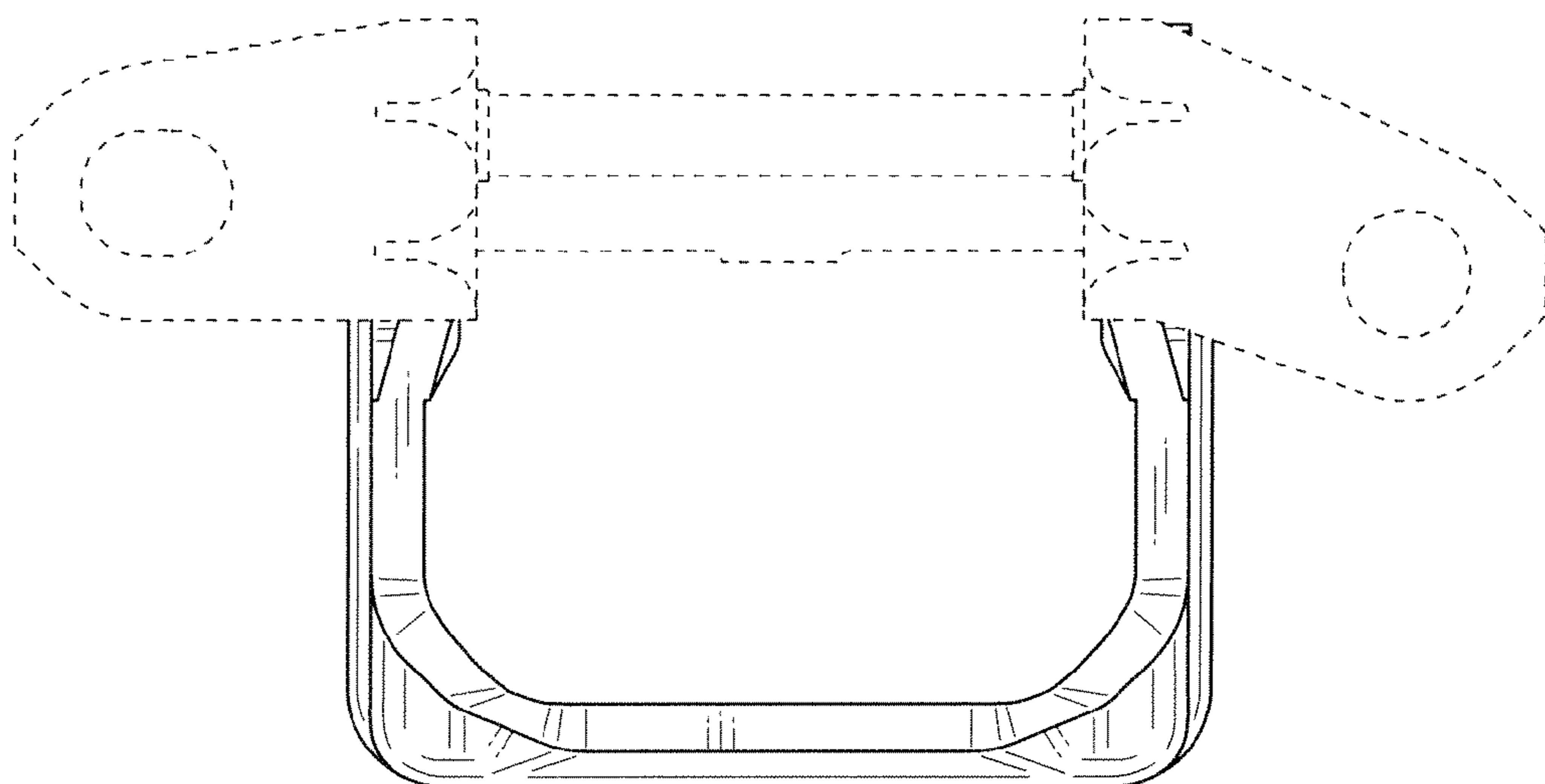


Fig. 5

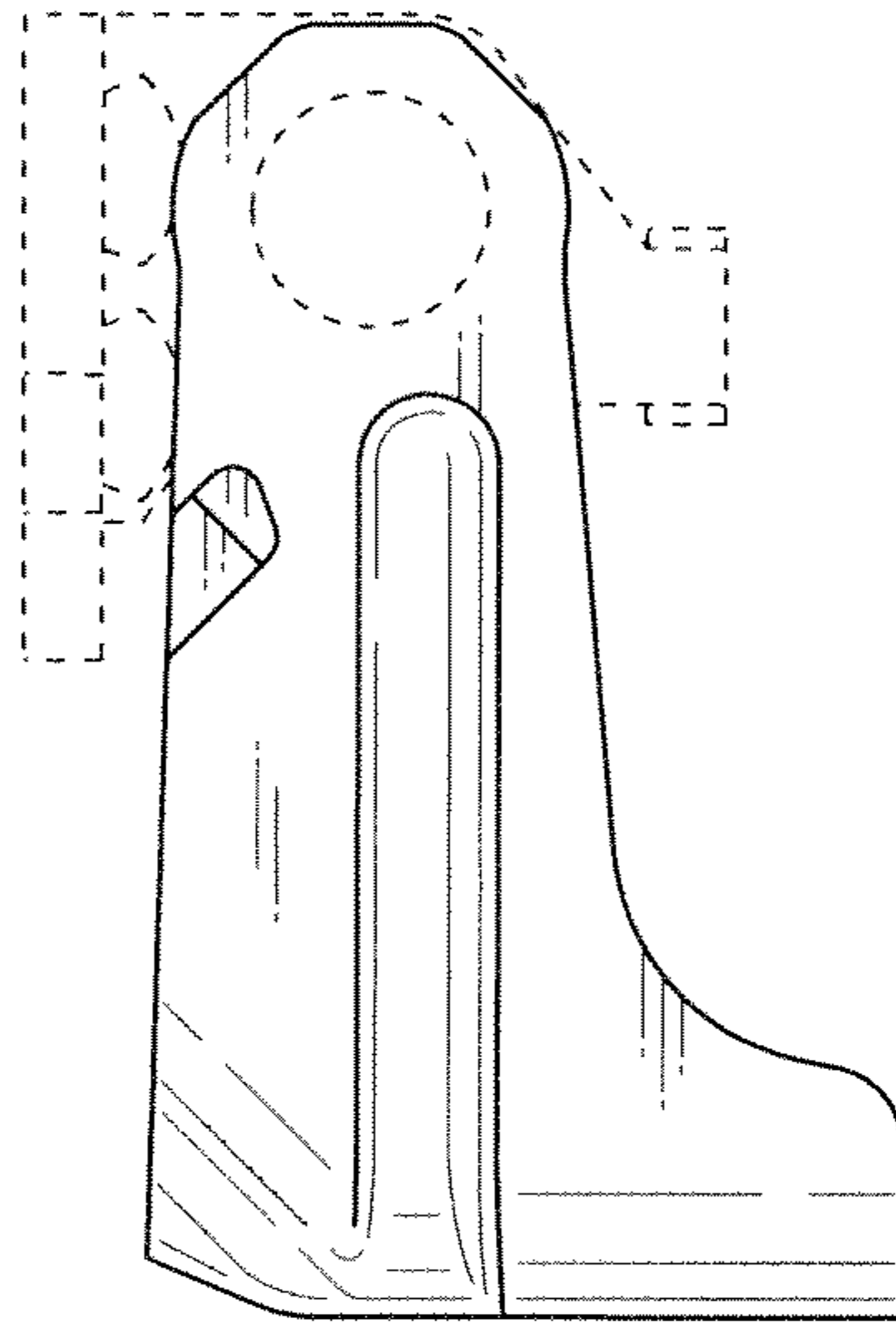


Fig. 6

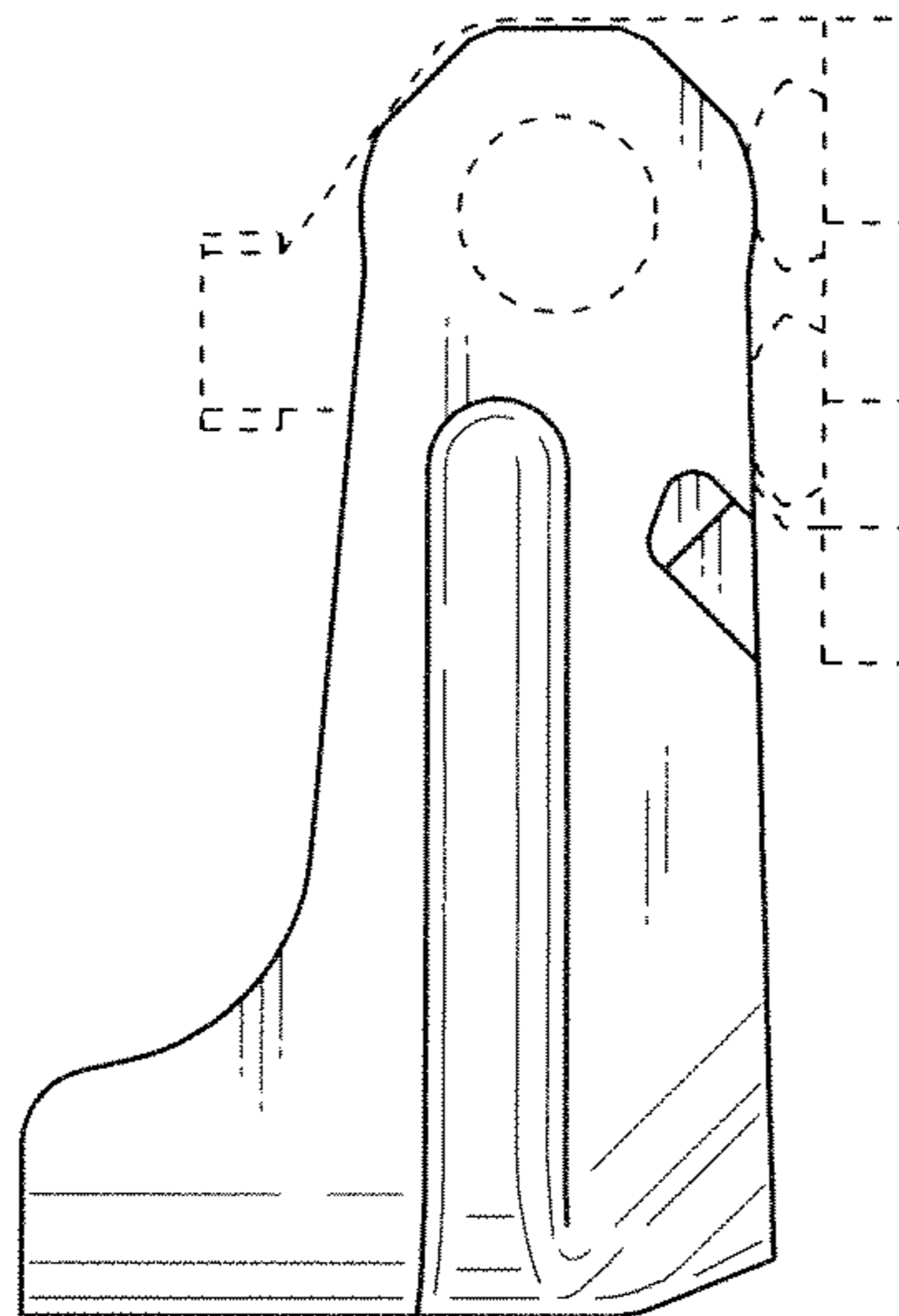


Fig. 7

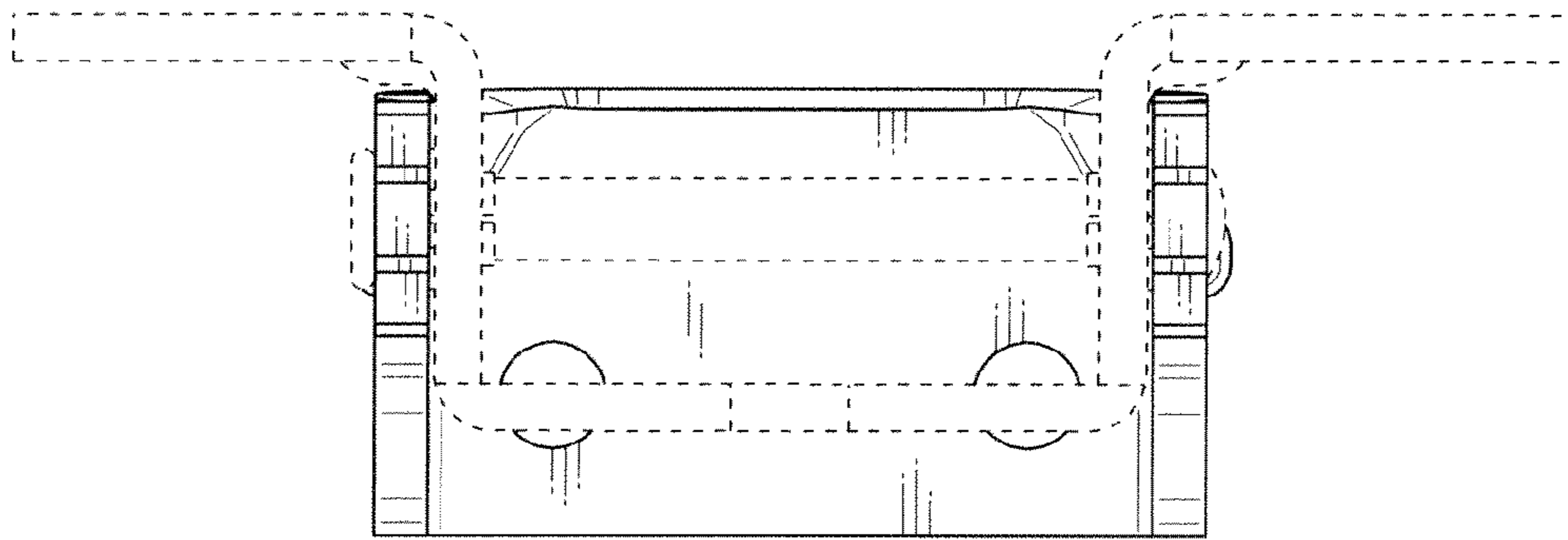


Fig. 8

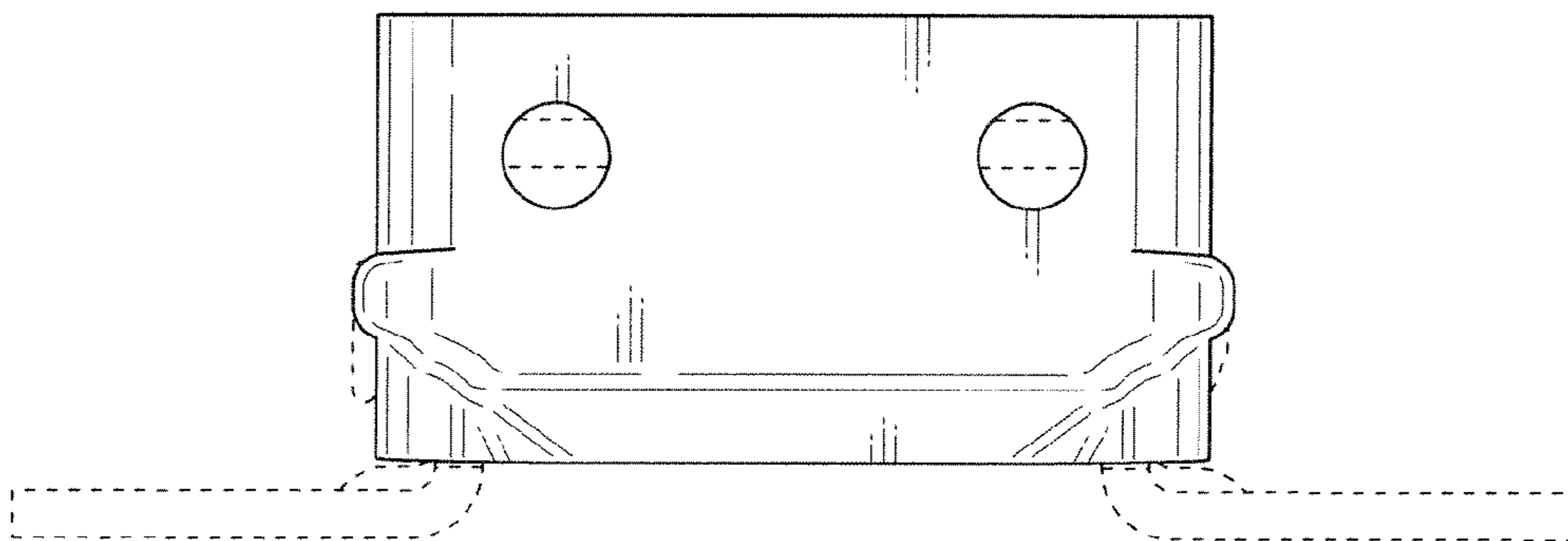


Fig. 9

