



US00D748960S

(12) **United States Design Patent**  
**Schuler et al.**

(10) **Patent No.:** **US D748,960 S**  
(45) **Date of Patent:** **\*\* Feb. 9, 2016**

(54) **CAN OPENER**

(71) Applicant: **Bradshaw International, Inc.**, Rancho Cucamonga, CA (US)

(72) Inventors: **Troy Schuler**, Rancho Cucamonga, CA (US); **Philippe De La Coussaye**, Annecy-le-Vieux (FR)

(73) Assignee: **BRADSHAW INTERNATIONAL, INC.**, Rancho Cucamonga, CA (US)

(\*\*) Term: **14 Years**

(21) Appl. No.: **29/500,623**

(22) Filed: **Aug. 27, 2014**

(30) **Foreign Application Priority Data**

Feb. 28, 2014 (EM) ..... 002415414-0008

(51) **LOC (10) Cl.** ..... **07-06**

(52) **U.S. Cl.**  
USPC ..... **D8/41**

(58) **Field of Classification Search**  
USPC ..... D8/16, 18, 19, 33-43, 89, 98-104, 396, D8/105; D7/395; 30/294  
CPC ..... B67B 7/00; B67B 7/14; B67B 7/16; B67B 7/24; B67B 7/30; B67B 7/32; B67B 7/34; B67B 7/36; B67B 7/38; B67B 7/44  
See application file for complete search history.

(56) **References Cited**

**U.S. PATENT DOCUMENTS**

1,852,389 A \* 4/1932 Zidovec ..... 30/410  
2,592,934 A \* 4/1952 McLean ..... 30/426

D253,391 S *	11/1979	Dreyer	.....	D8/39
D266,979 S *	11/1982	Steiner et al.	.....	D8/39
D269,151 S *	5/1983	Schulein	.....	D8/39
D292,866 S *	11/1987	Barnett	.....	D8/41
D303,072 S *	8/1989	Ancona et al.	.....	D8/39
D304,900 S *	12/1989	Miquelot	.....	D8/39
D326,039 S *	5/1992	Viemeister	.....	D8/33
5,181,322 A *	1/1993	Koo	.....	30/416
D339,723 S *	9/1993	Tanfoglio	.....	D8/41
5,430,945 A *	7/1995	Huang	.....	30/410
D362,165 S *	9/1995	Wheeler	.....	D8/36
D362,379 S *	9/1995	Tekaas	.....	D8/39
5,581,897 A *	12/1996	Liebscher	.....	30/416
D403,217 S *	12/1998	Usbeck	.....	D8/39
D404,269 S *	1/1999	Chang	.....	D8/39
D409,888 S *	5/1999	So	.....	D8/39
D474,083 S *	5/2003	Lo	.....	D8/39
7,409,768 B1 *	8/2008	Chapman	.....	30/426

\* cited by examiner

*Primary Examiner* — Elizabeth Albert

(74) *Attorney, Agent, or Firm* — The Webb Law Firm

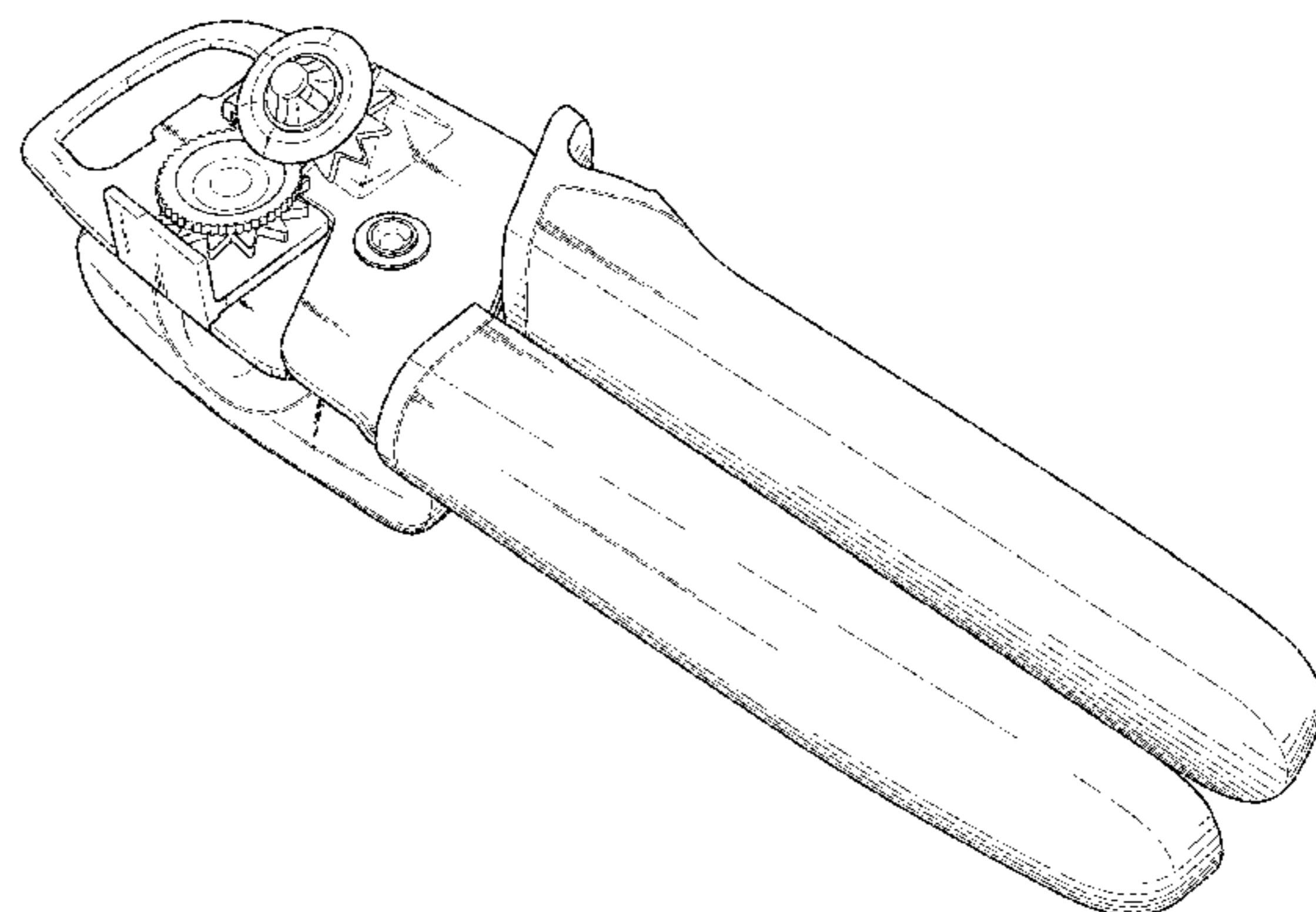
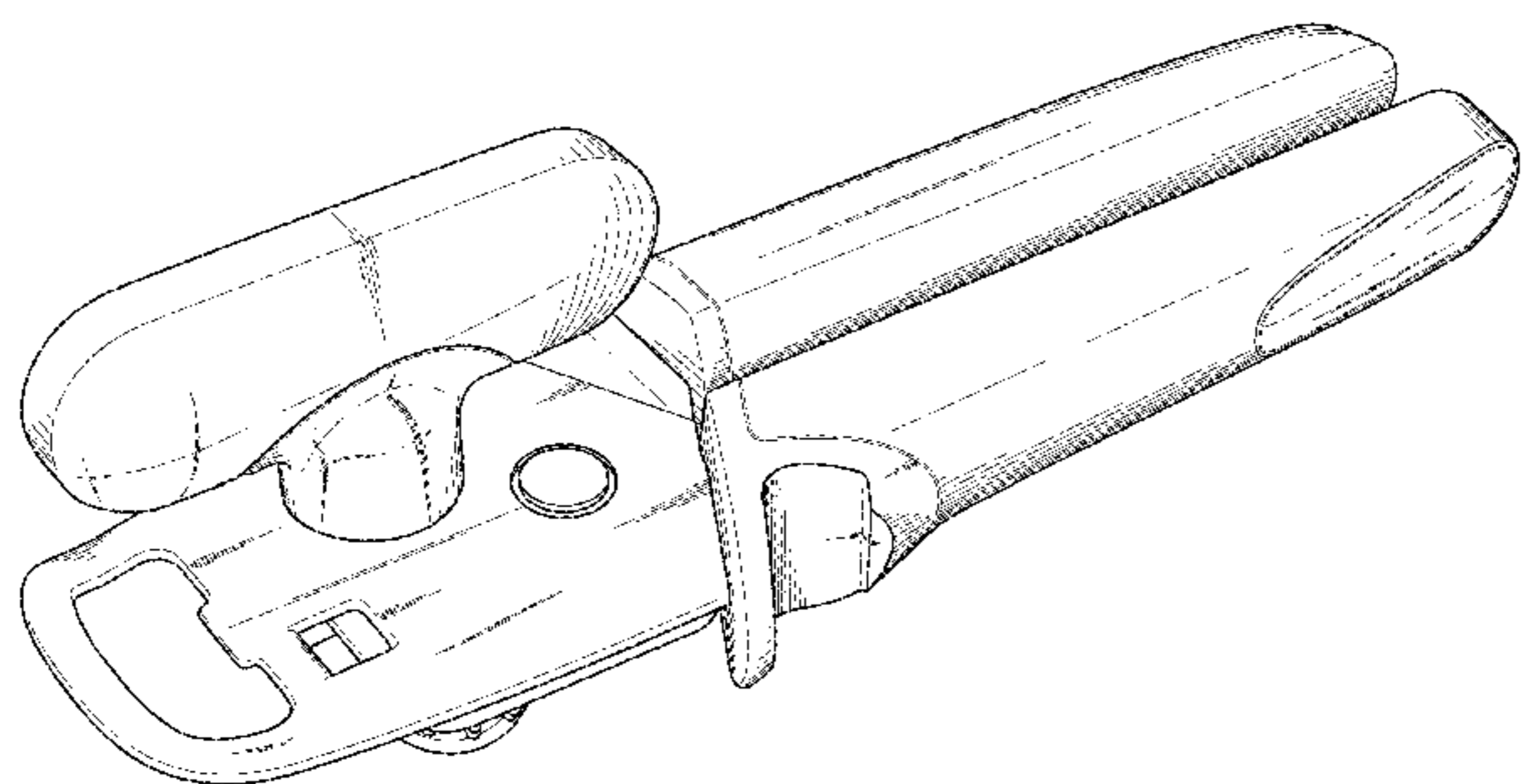
(57) **CLAIM**

The ornamental design for a can opener, as shown and described.

**DESCRIPTION**

FIG. 1 is an upper left front perspective view of a can opener, showing our new design;  
FIG. 2 is a lower right rear perspective view thereof;  
FIG. 3 is an upper left rear perspective view thereof;  
FIG. 4 is a front view thereof;  
FIG. 5 is a rear view thereof;  
FIG. 6 is a right side view thereof; and,  
FIG. 7 is a left side view thereof.

**1 Claim, 7 Drawing Sheets**



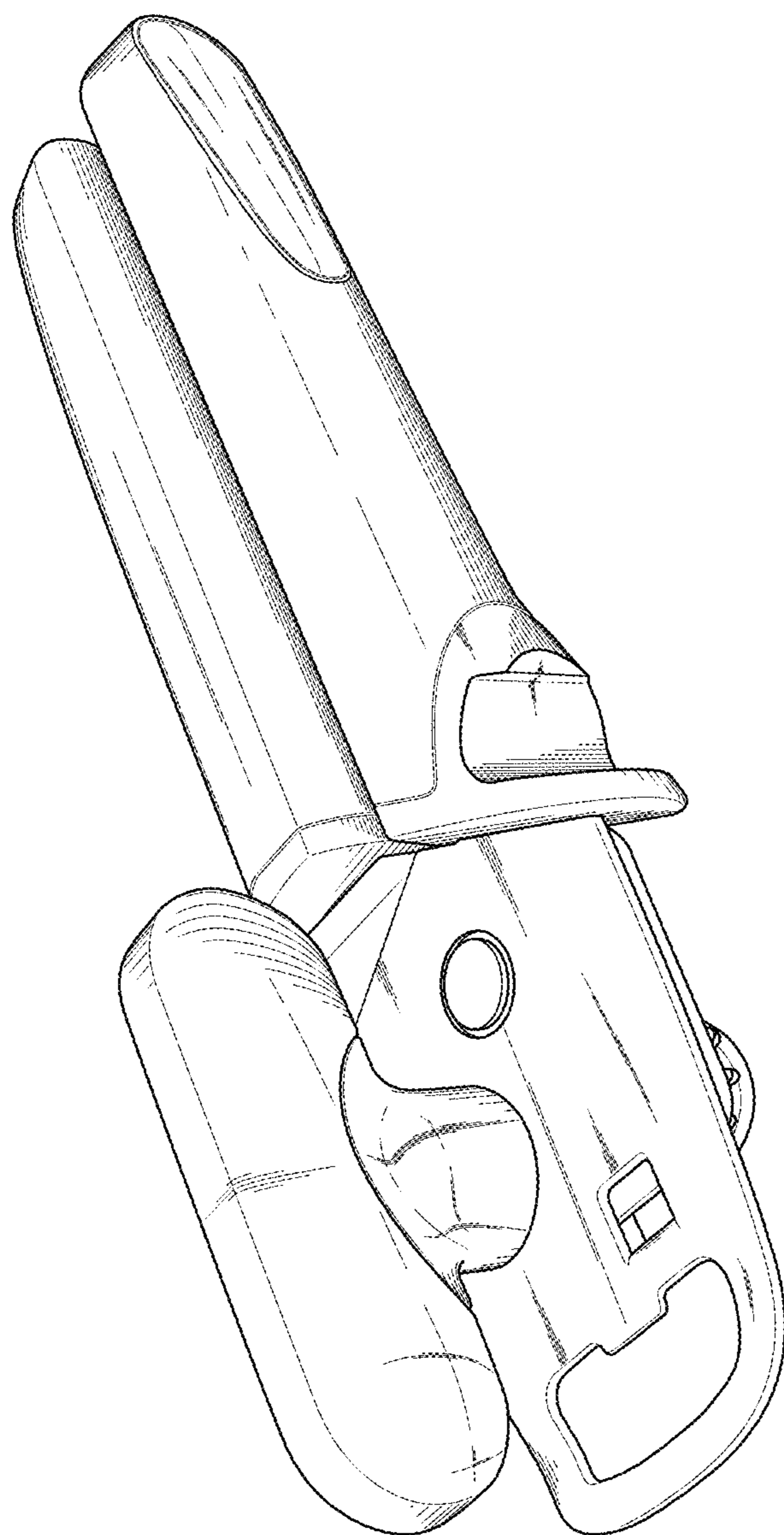


FIG. 1

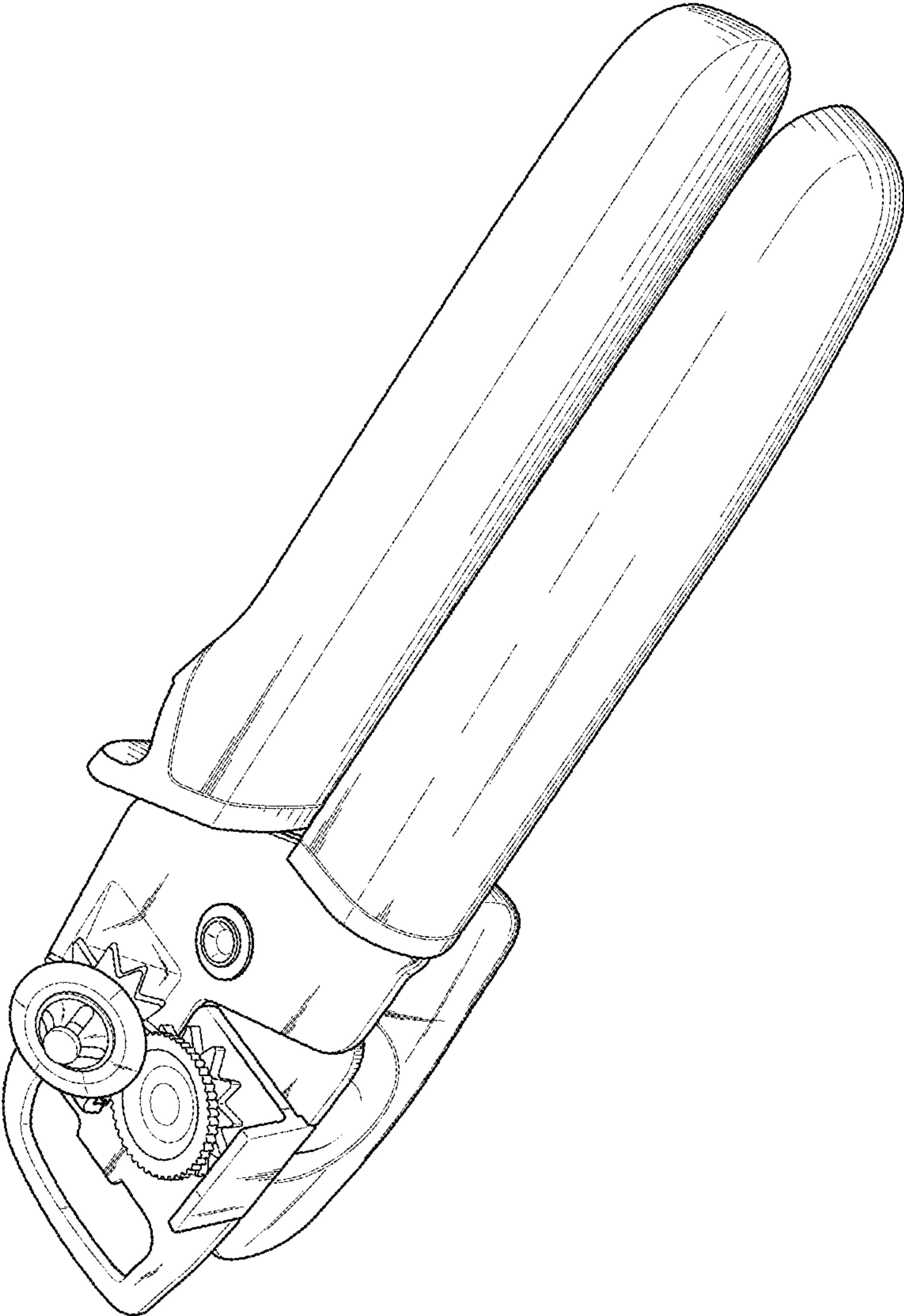


FIG. 2

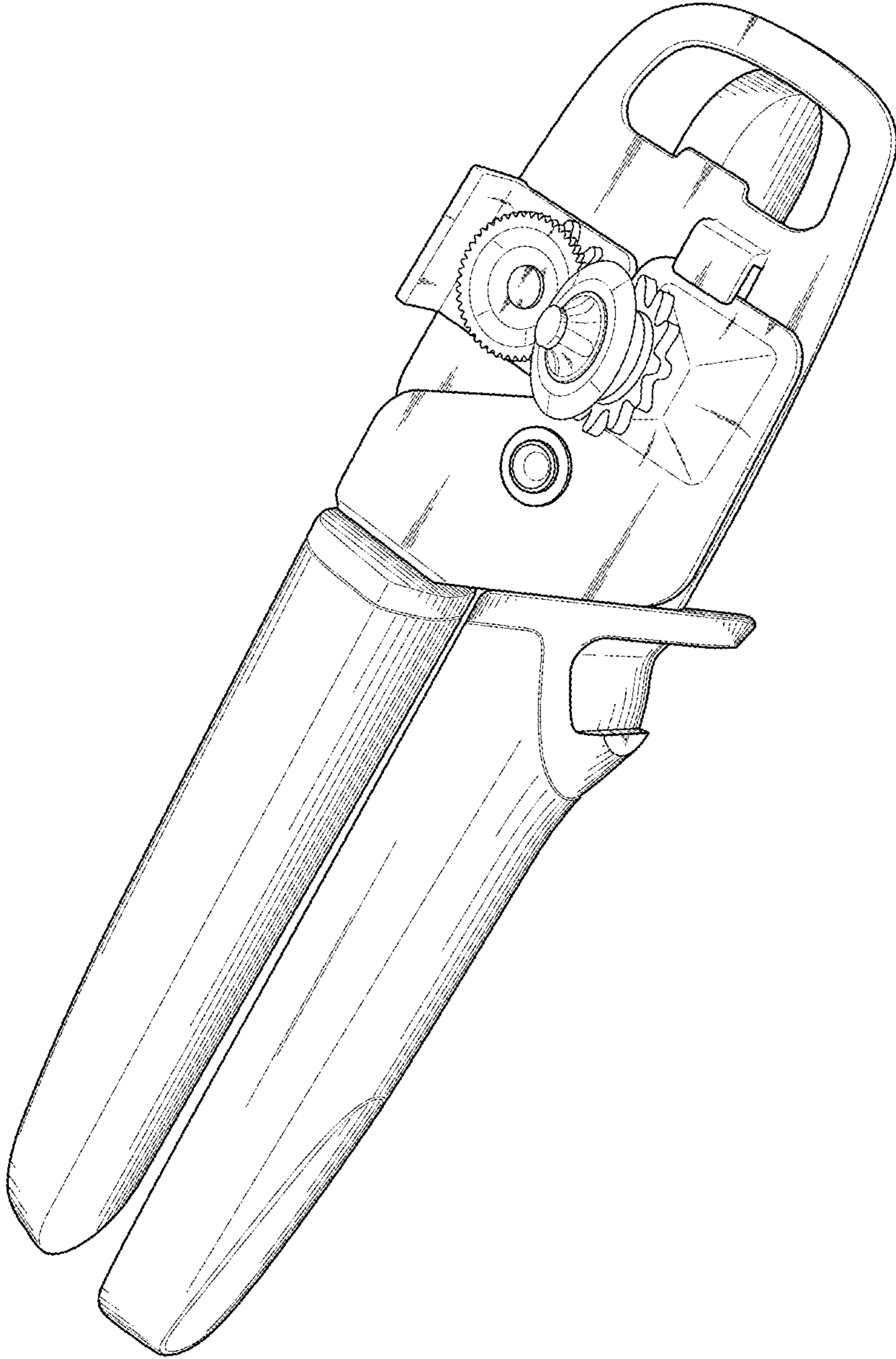
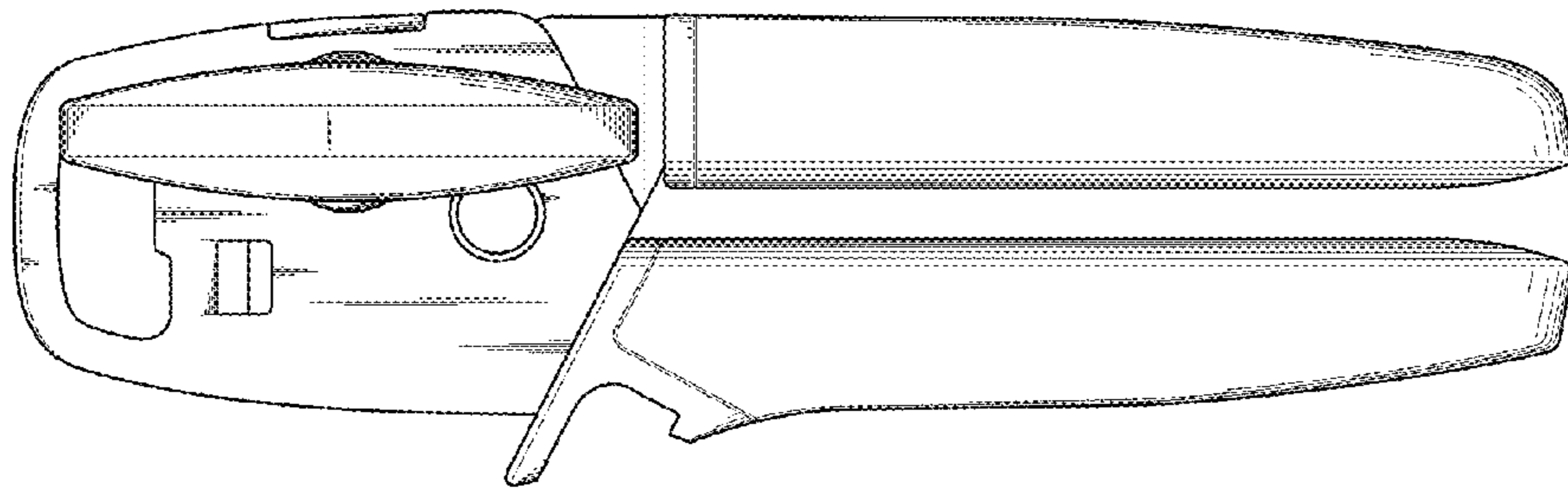


FIG. 3



**FIG. 4**

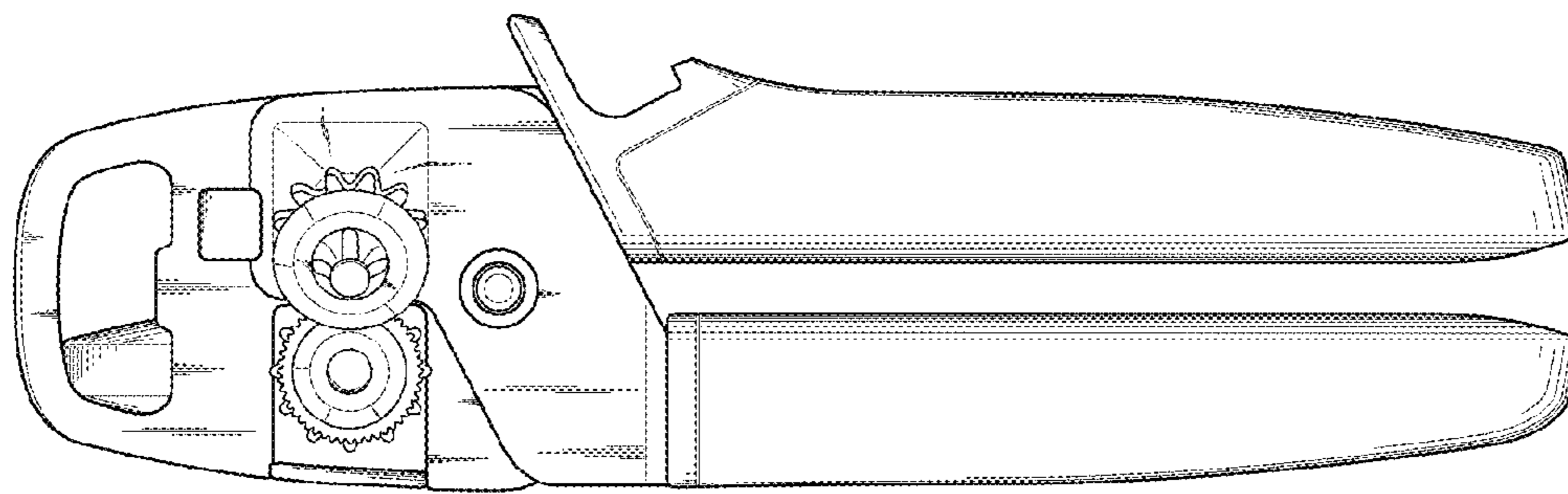
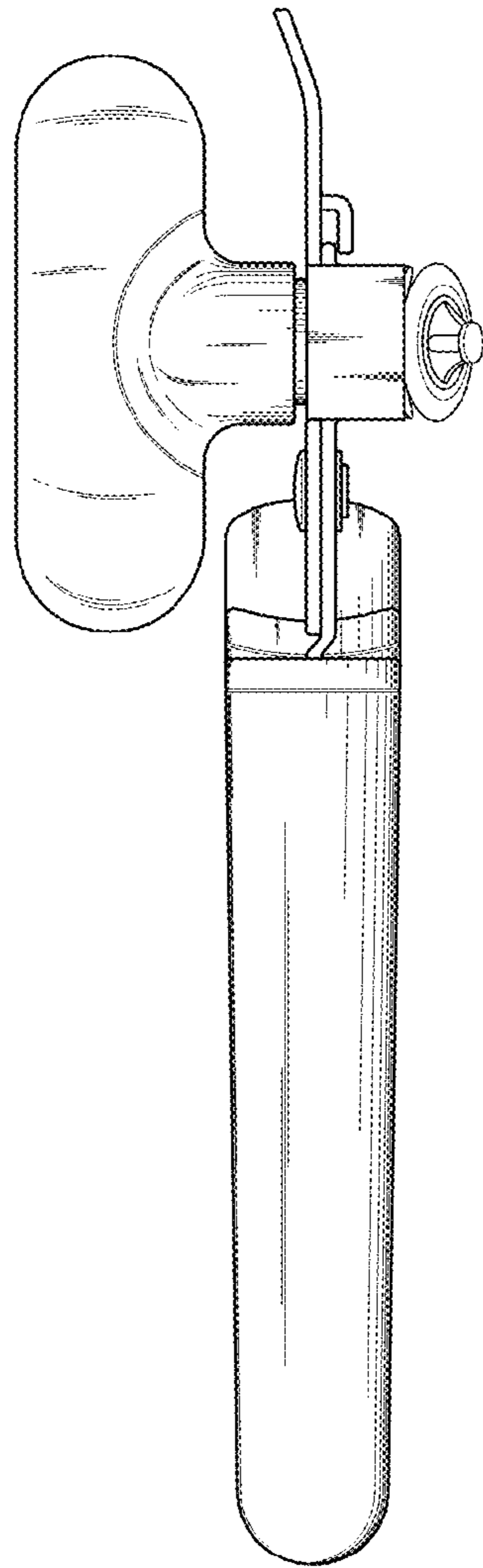
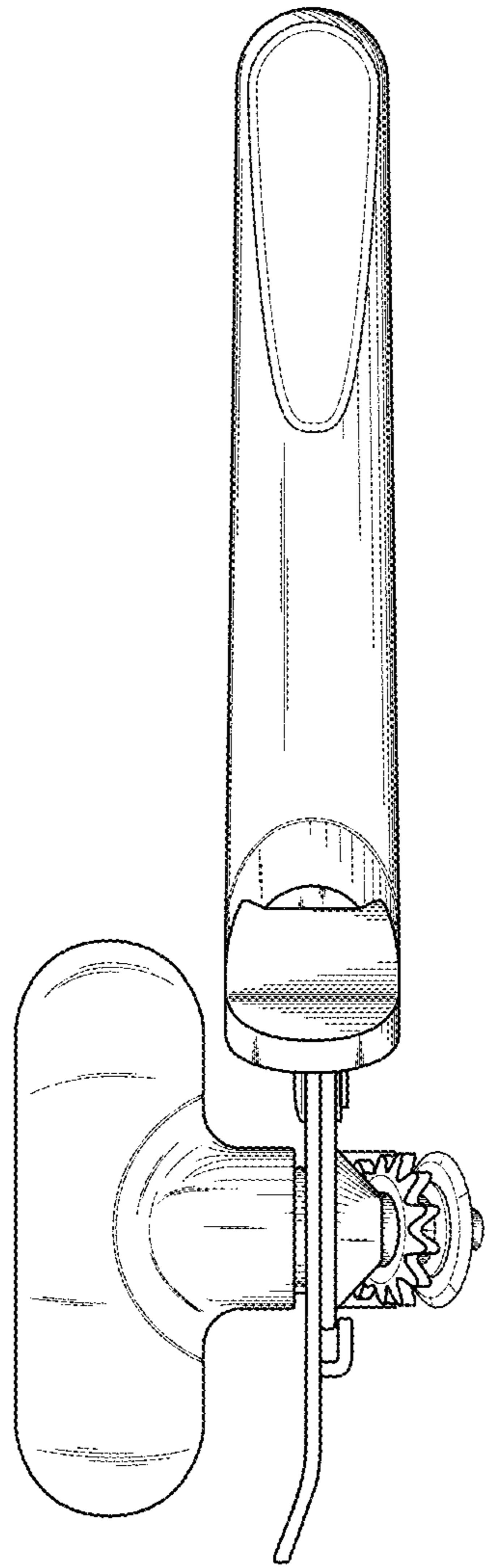


FIG. 5



**FIG. 6**



**FIG. 7**