



US00D748959S

(12) **United States Design Patent**  
**Solar**

(10) **Patent No.:** **US D748,959 S**  
(45) **Date of Patent:** **\*\* Feb. 9, 2016**

(54) **WRENCH HANDLE**  
(71) Applicant: **IDEAL INDUSTRIES, INC.**,  
Sycamore, IL (US)  
(72) Inventor: **Brenton Michael Solar**, Genoa, IL (US)  
(73) Assignee: **IDEAL Industries, Inc.**, Sycamore, IL  
(US)

(\*\*) Term: **14 Years**

(21) Appl. No.: **29/499,295**

(22) Filed: **Aug. 13, 2014**

(51) **LOC (10) Cl.** ..... **08-05**

(52) **U.S. Cl.**  
USPC ..... **D8/27; D8/28**

(58) **Field of Classification Search**  
USPC ..... D8/17, 21-29, 354, 107; 81/60, 177.1,  
81/177.85, 121.1, 124.3, 165-170, 110.1,  
81/176.2, 124.6, 176.1, 176.15, 177.2,  
81/186; 16/110.1; D15/144.1, 143;  
219/75, 227, 229, 121.16, 121.18  
CPC ..... B25B 13/065; B25B 13/08; B25B 27/18  
See application file for complete search history.

(56) **References Cited**

**U.S. PATENT DOCUMENTS**

4,324,160 A \* 4/1982 Maclay ..... 81/185  
D471,719 S \* 3/2003 Schmidt et al. .... D4/138

D500,927 S \* 1/2005 Hay ..... D4/138  
D507,163 S \* 7/2005 Hsien ..... D8/22  
D519,342 S \* 4/2006 Hartman et al. .... D8/28  
D528,383 S \* 9/2006 Albertson ..... D8/28  
D549,533 S \* 8/2007 Pond et al. .... D8/22  
D575,131 S \* 8/2008 Cheng ..... D8/107  
D576,851 S \* 9/2008 Zeyfang ..... D8/21  
D577,271 S \* 9/2008 Ganz et al. .... D8/27  
D684,446 S \* 6/2013 Nichols et al. .... D8/22  
D724,913 S \* 3/2015 Dean ..... D8/27

\* cited by examiner

*Primary Examiner* — Randall Gholson

(74) *Attorney, Agent, or Firm* — Greenberg Traurig, LLP

(57) **CLAIM**

What is claimed is the ornamental design for a wrench handle,  
as shown and described.

**DESCRIPTION**

FIG. 1 is a top perspective view of a wrench handle showing  
the new design;

FIG. 2 is a top plan view thereof;

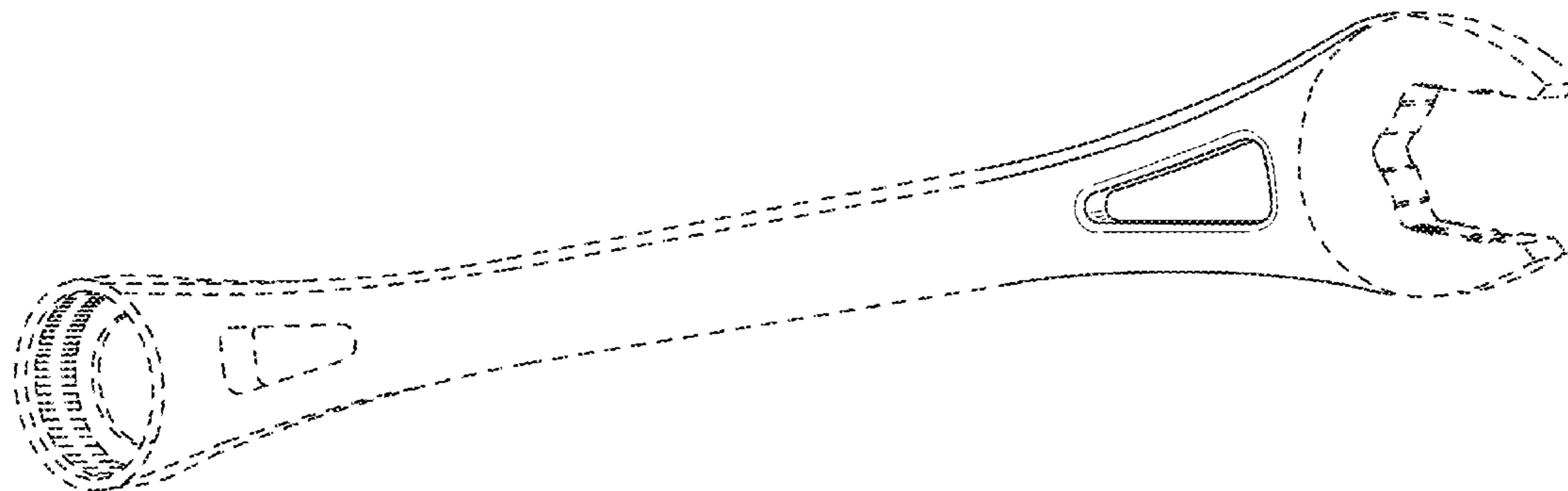
FIG. 3 is bottom plan view thereof;

FIG. 4 is an enlarged top plan view thereof; and,

FIG. 5 is an enlarged left side view thereof.

The broken lines depict portions of the wrench handle that  
form no part of the claimed design.

**1 Claim, 5 Drawing Sheets**



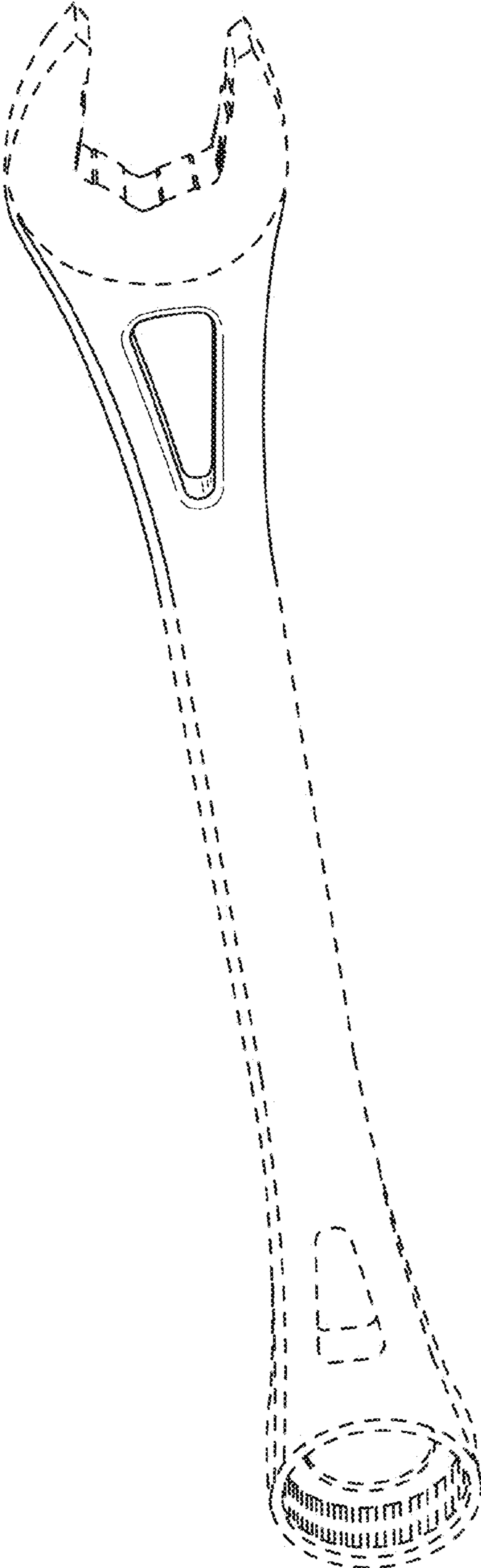


FIG. 1

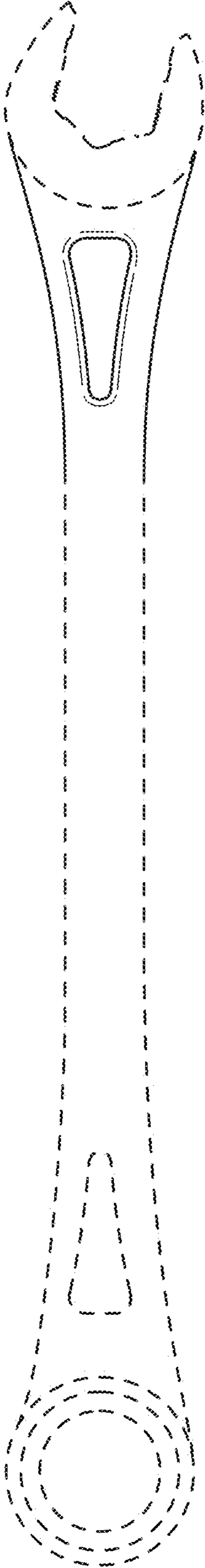


FIG. 2

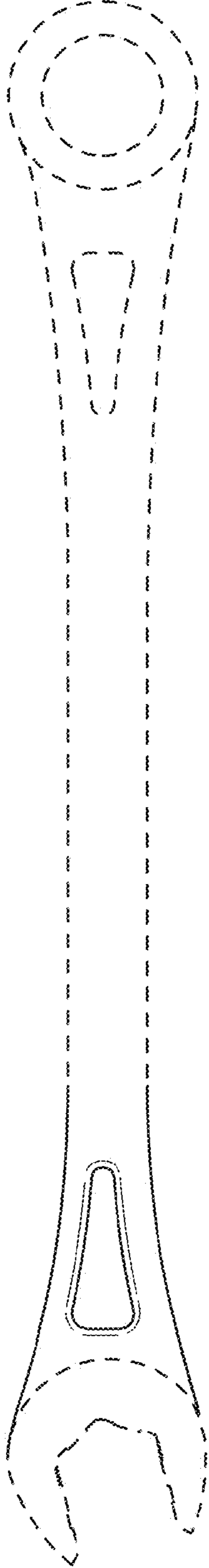


FIG. 3

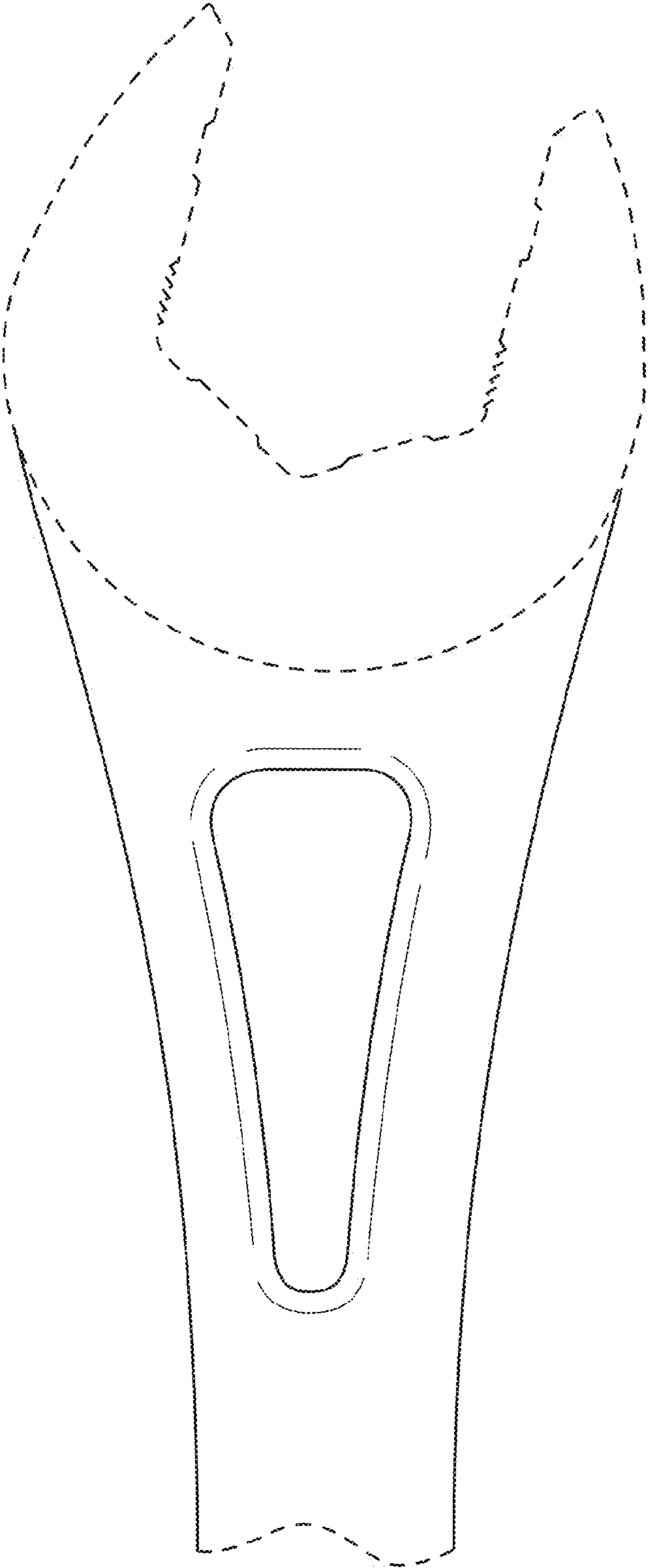


FIG. 4

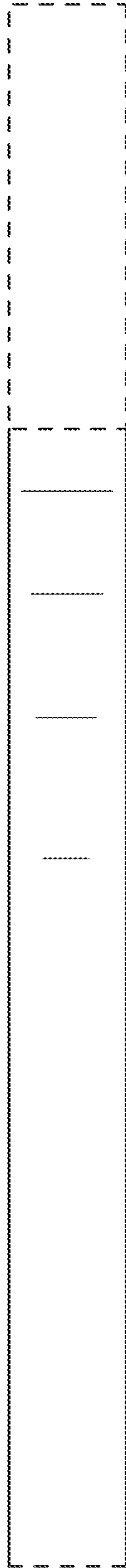


FIG. 5