



US00D748956S

(12) **United States Design Patent**
Goeckel

(10) **Patent No.:** **US D748,956 S**

(45) **Date of Patent:** **** Feb. 9, 2016**

(54) **KEYCHAIN TOOL**

(71) Applicant: **Gregory William Goeckel**, Ofallon, IL
(US)

(72) Inventor: **Gregory William Goeckel**, Ofallon, IL
(US)

(**) Term: **14 Years**

(21) Appl. No.: **29/507,429**

(22) Filed: **Oct. 28, 2014**

(51) **LOC (10) Cl.** **08-05**

(52) **U.S. Cl.**
USPC **D8/19**

(58) **Field of Classification Search**
USPC D8/16, 18, 19, 20, 105, 363, 366,
D8/370-377, 380-382
CPC B25F 1/00; B25F 1/02; A45F 2200/0575;
G01B 5/18
See application file for complete search history.

(56) **References Cited**

U.S. PATENT DOCUMENTS

D33,779 S *	12/1900	Madern et al.	D8/371
D218,272 S *	8/1970	Bothe	7/169
D231,901 S *	6/1974	Bentley	D8/367
D528,880 S *	9/2006	Belflower	D8/16
D623,030 S *	9/2010	Spater	D8/16
D705,034 S	5/2014	Connell		
D705,621 S *	5/2014	Tygh	D8/19
8,713,735 B1	5/2014	Pelton		
D716,641 S *	11/2014	Goodman	D8/371

D725,979 S *	4/2015	Breedon, III	D8/16
D730,131 S *	5/2015	Cornell	D8/19
2014/0143958 A1	5/2014	Barr		

OTHER PUBLICATIONS

Leatherman; "Leatherman Piranha 2 PocketTool at Swiss Knife Shop"; downloaded on Oct. 10, 2014 from listing on Swiss Knife Shop.

eBay Inc.; "EDC Outdoor Survival Multi Pocket Gadget Utility Tool Kit Bottle Opener Keychain", downloaded on Oct. 9, 2014 from listing on eBay.

EDC; edcforums.com; "Pocket Tool X Spring preview! MK7 Designs"; Discussion in MultiTools and Other Pocket Tools; Feb. 28, 2010.

(Continued)

Primary Examiner — Robert M Spear

Assistant Examiner — Eliza Bennett-Hattan

(74) *Attorney, Agent, or Firm* — Thomas E. Lees, LLC

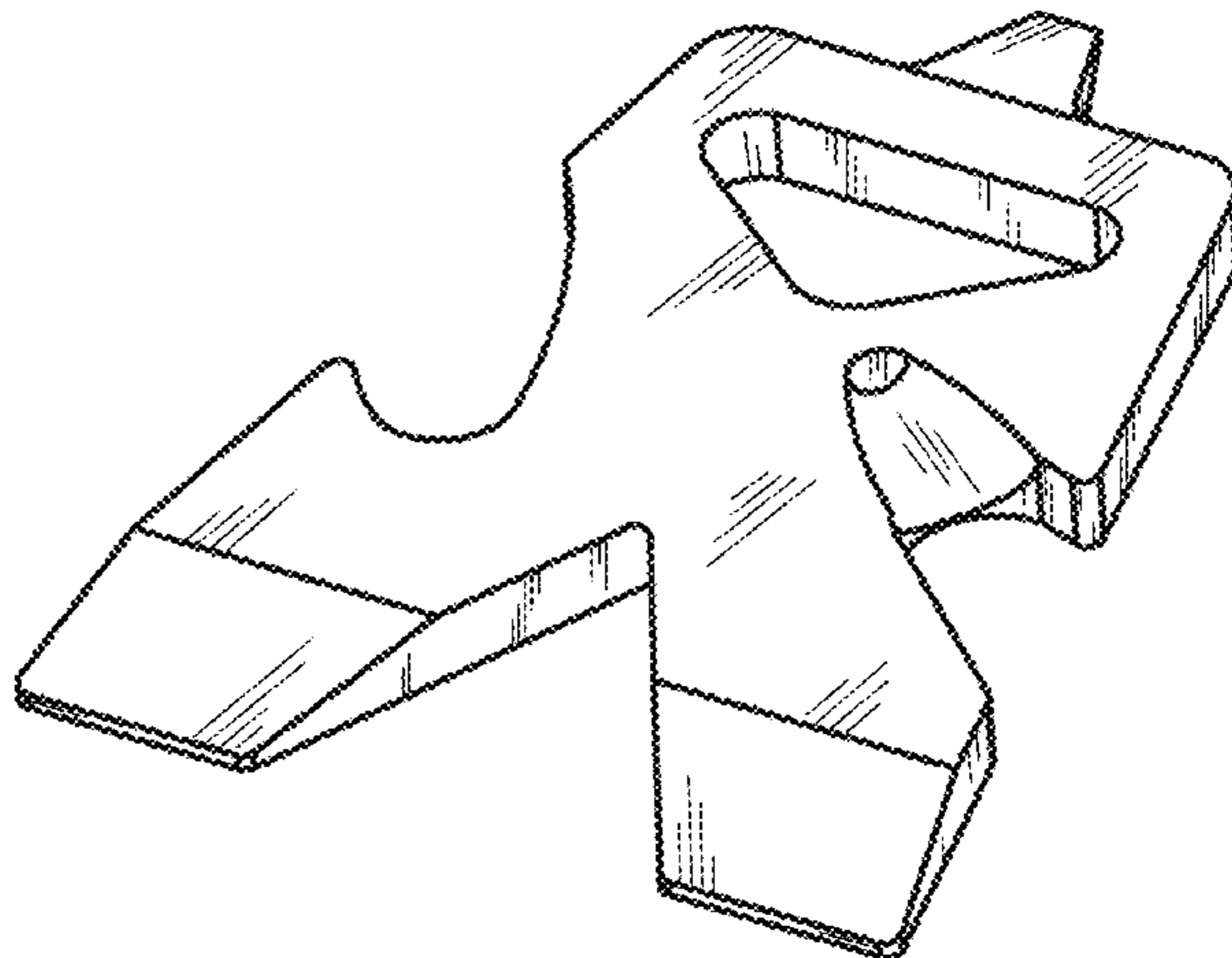
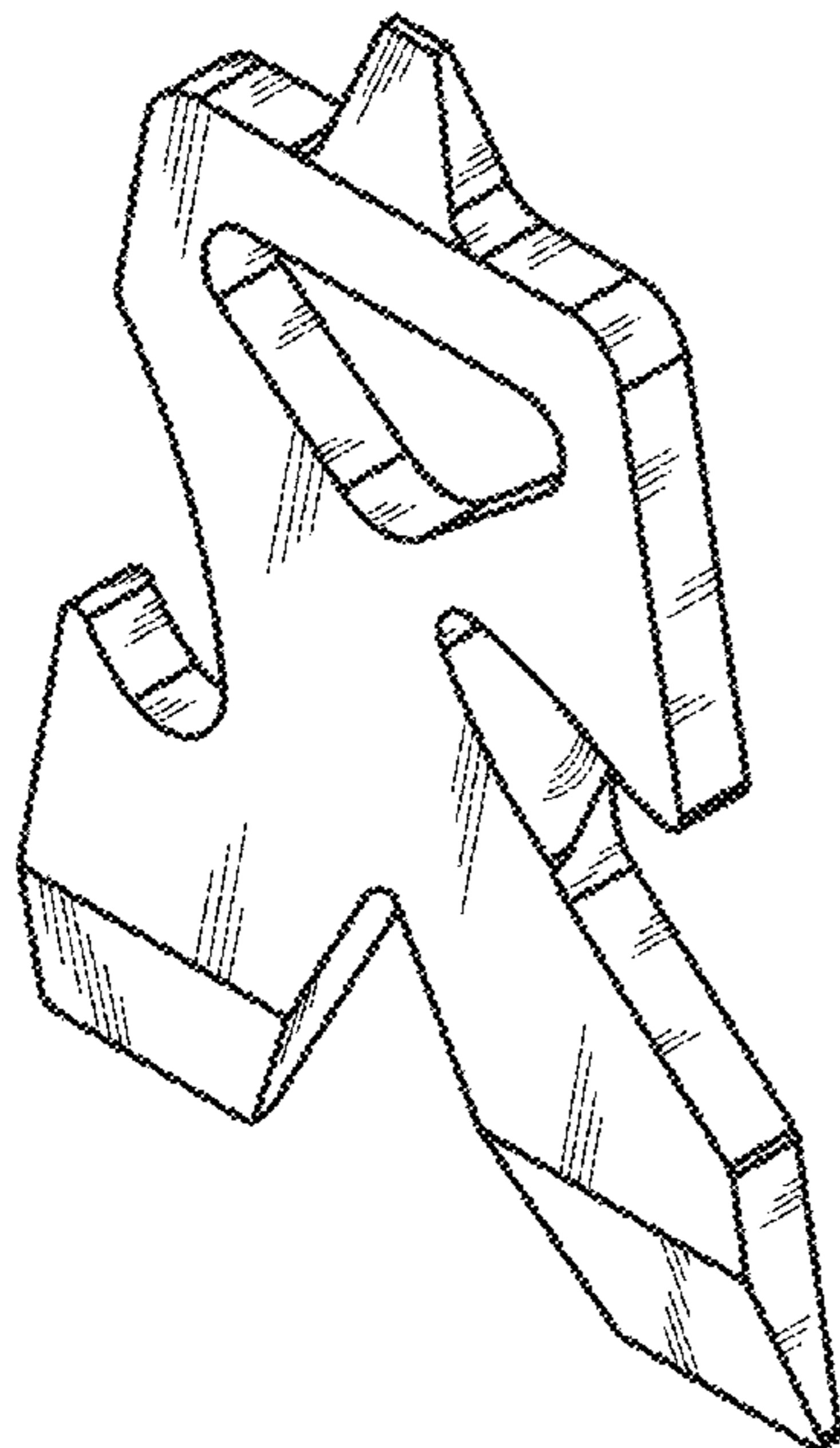
(57) **CLAIM**

The ornamental design for a keychain tool, as shown and described.

DESCRIPTION

FIG. 1 is a first perspective view of a keychain tool;
FIG. 2 is a second perspective view of the keychain tool;
FIG. 3 is a front face view of a keychain tool;
FIG. 4 is a back face view of the keychain tool;
FIG. 5 is a top end view of the keychain tool;
FIG. 6 is a bottom end view of the keychain tool;
FIG. 7 is a left-side end view of the keychain tool; and,
FIG. 8 is a right-side end view of the keychain tool.

1 Claim, 6 Drawing Sheets



(56)

References Cited

OTHER PUBLICATIONS

Gerber Legendary Blades; "Gerber 22-01769 Shard Keychain Tool"; listing on Amazon; Jun. 7, 2010 (date located through Internet Archive WayBackMachine; https://web.archive.org/web/20100315000000*/http://www.amazon.com/Gerber-22-01769-Shard-Keychain-Tool/dp/B002ZK45IQ).

Schrade Knives; "Schrade 3.25" Titanium Rescue Multifunctional Pry Tool, Stonewash Finish"; listing on The KnifeCenter; Apr. 25, 2012 (date located through Internet Archive WayBackMachine; http://web.archive.org/web/*/http://www.knifecenter.com/item/SCHSCTPT/Schrade-325-inch-Titanium-Rescue-Multifunctional-Pry-Tool-Stonewash-Finish).

* cited by examiner

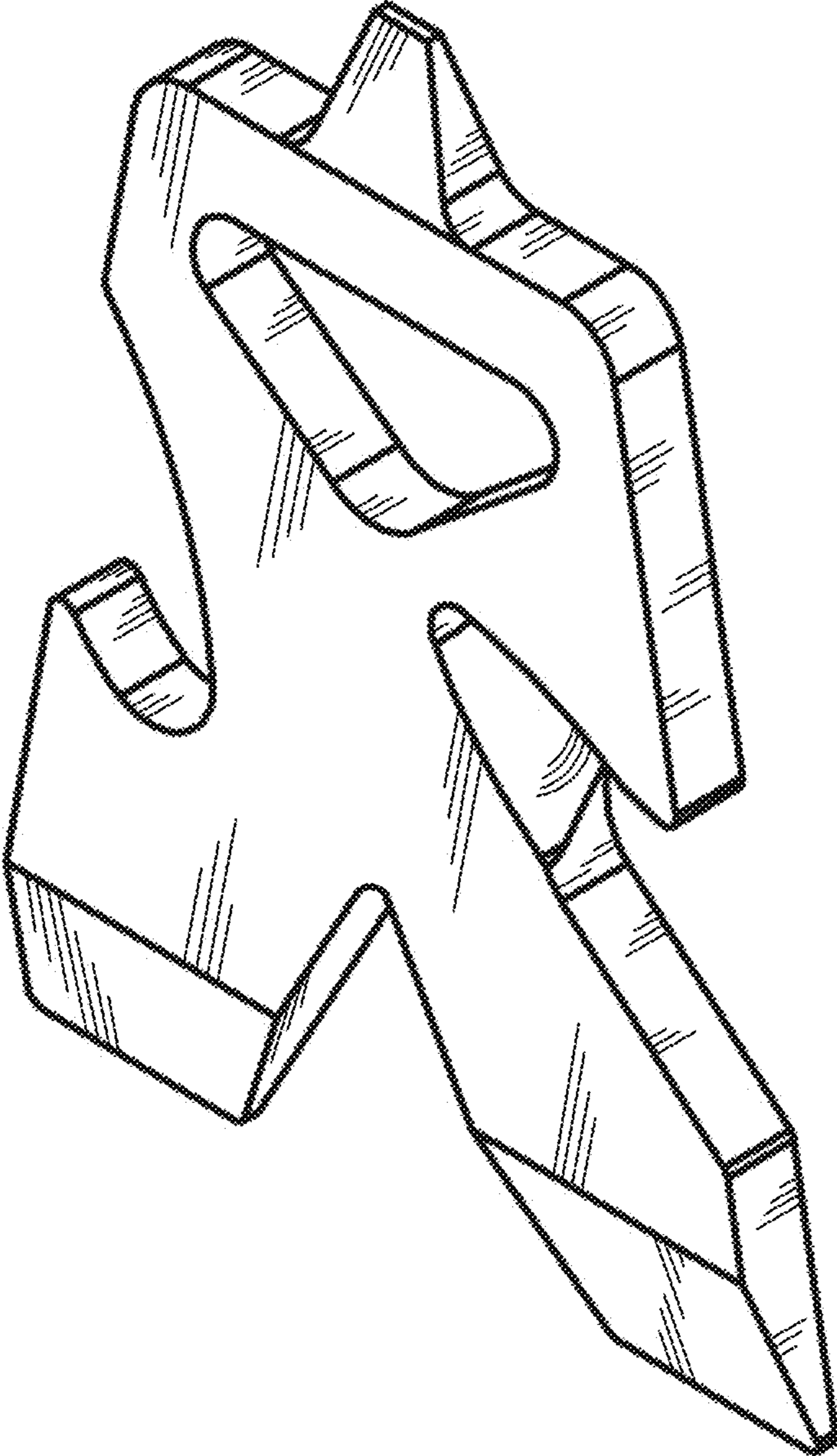


FIG. 1

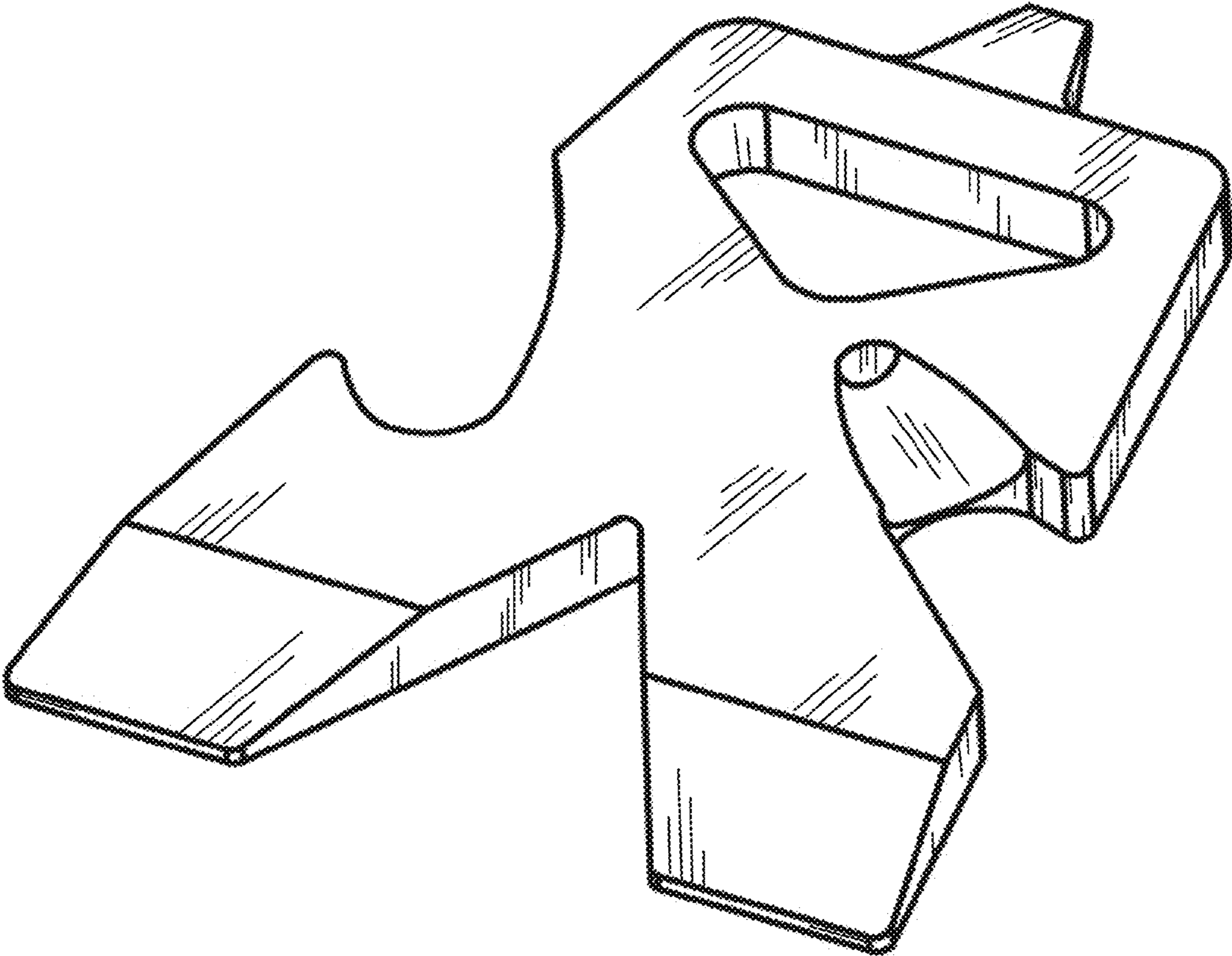


FIG. 2

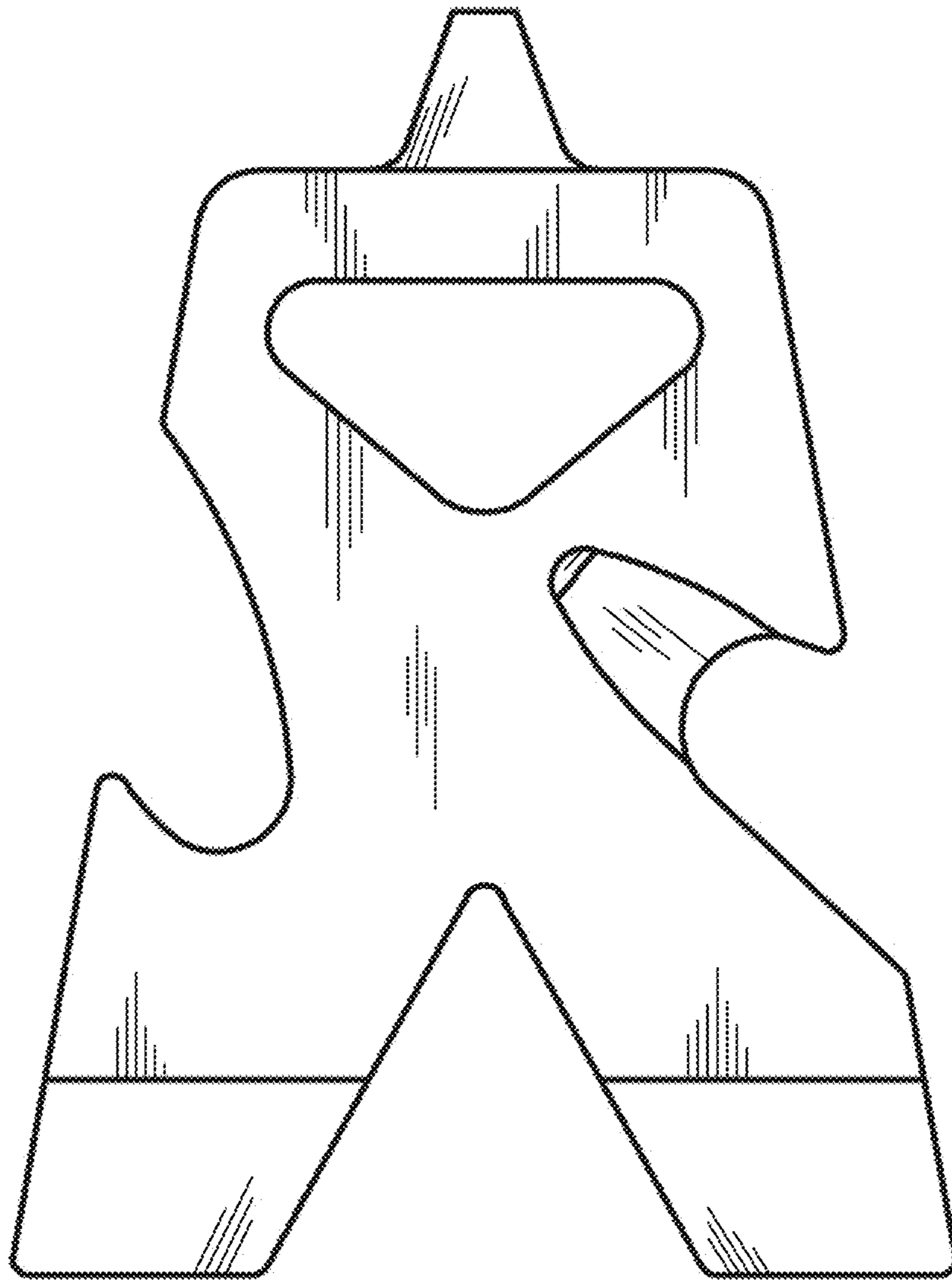


FIG. 3

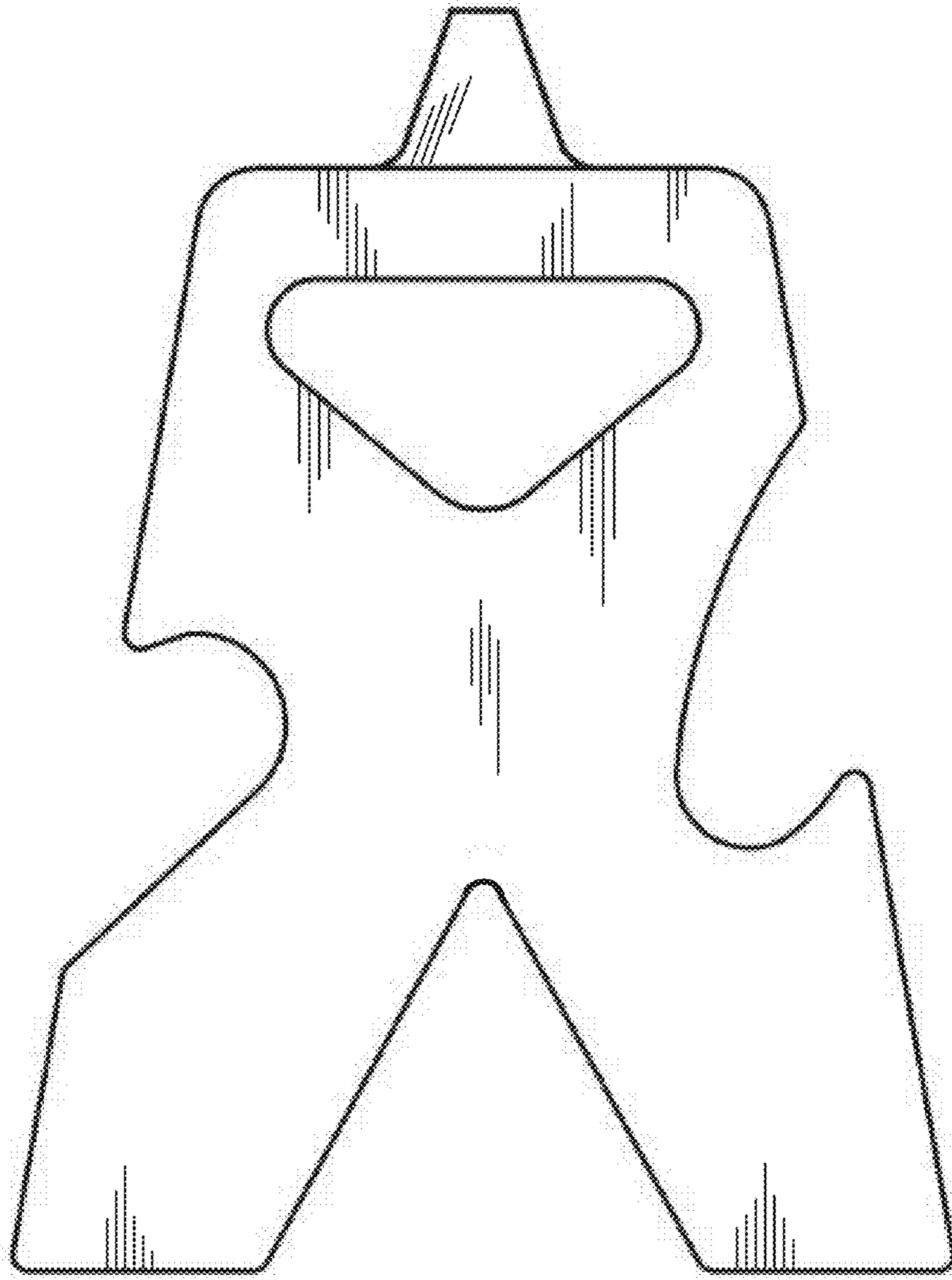


FIG. 4

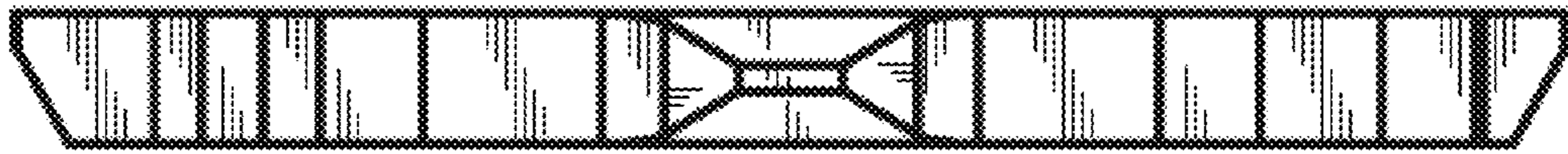


FIG. 5

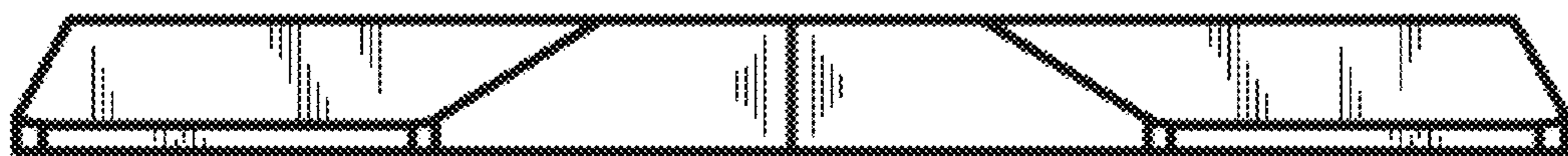


FIG. 6

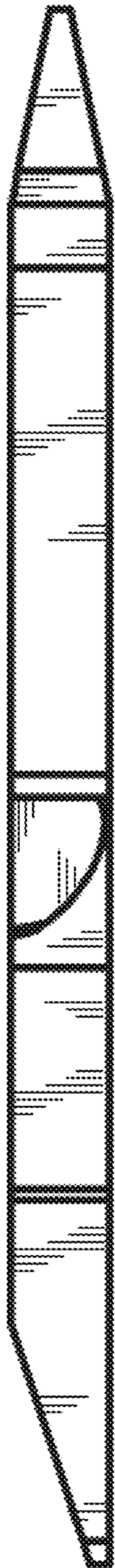


FIG. 7

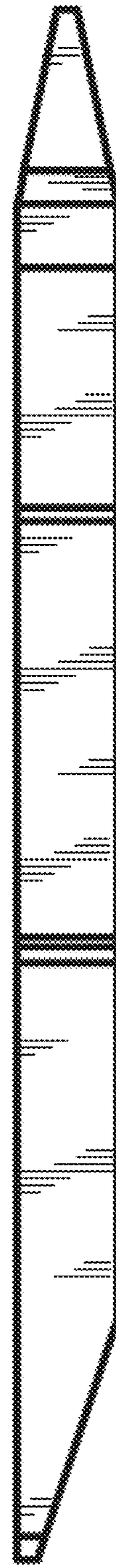


FIG. 8