



US00D748955S

(12) **United States Design Patent**  
**Oliver**

(10) **Patent No.:** **US D748,955 S**

(45) **Date of Patent:** **\*\* Feb. 9, 2016**

(54) **MOLDED GLASS COVER**

(71) Applicant: **Katherine H. Oliver**, St. Helena, CA  
(US)

(72) Inventor: **Katherine H. Oliver**, St. Helena, CA  
(US)

(\*\*) Term: **14 Years**

(21) Appl. No.: **29/495,586**

(22) Filed: **Jul. 2, 2014**

(51) **LOC (10) Cl.** ..... **07-06**

(52) **U.S. Cl.**  
USPC ..... **D7/624.2**

(58) **Field of Classification Search**  
USPC ..... D7/619.1-625, 605-608, 533-536;  
215/12.1, 12.2, 13.1, 392, 393, 396;  
220/737, 739, 902, 903  
CPC ..... A47G 23/10216; A47G 23/0258;  
A47J 41/0077; B65D 23/065; B65D 23/106

See application file for complete search history.

(56) **References Cited**

U.S. PATENT DOCUMENTS

D493,071 S *	7/2004	Fasula .....	D7/606
D575,583 S *	8/2008	Morgan .....	D7/509
D620,764 S *	8/2010	Lessells .....	D7/605

\* cited by examiner

*Primary Examiner* — Terry Wallace

(74) *Attorney, Agent, or Firm* — James A. Italia; Italia IP

(57) **CLAIM**

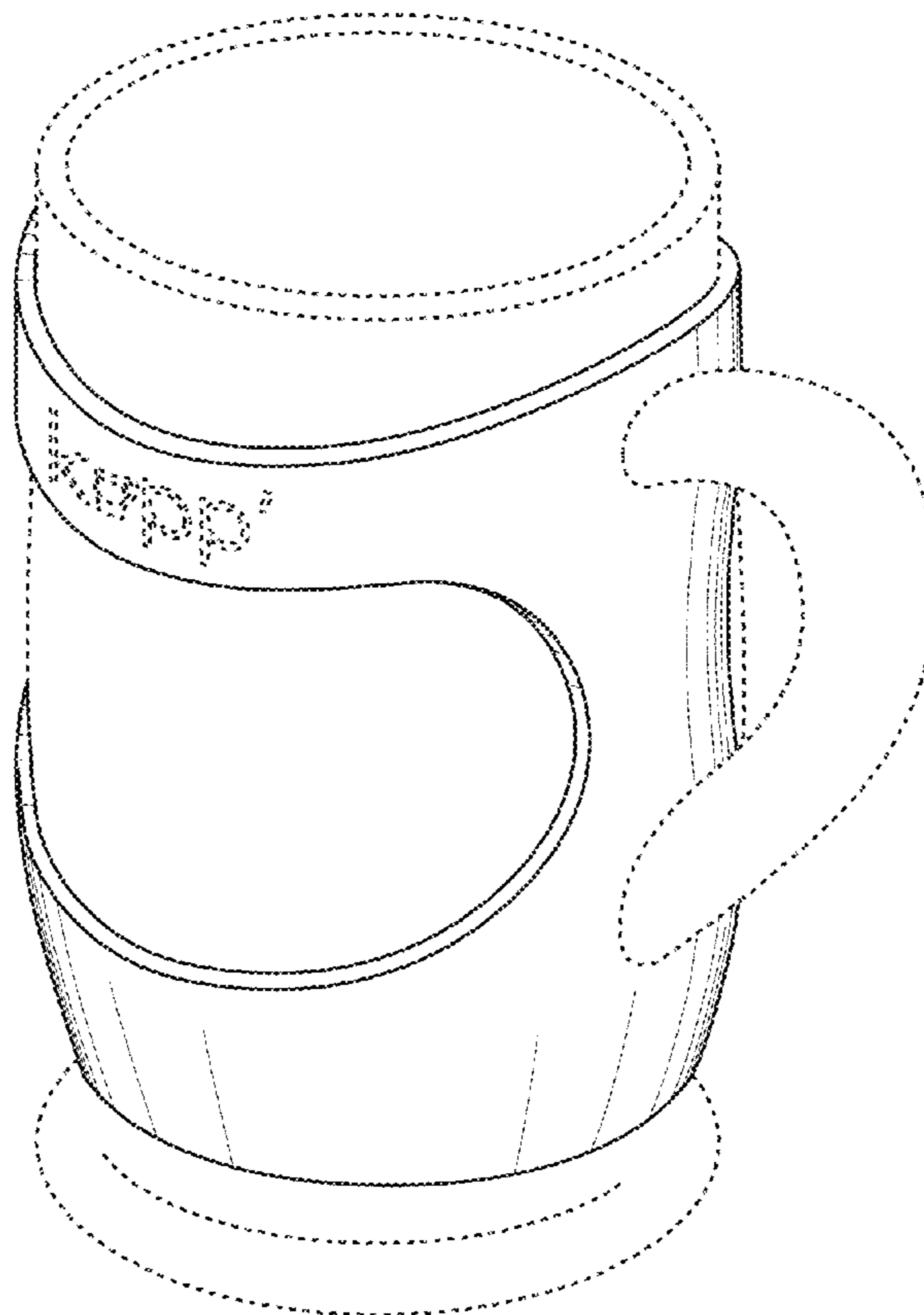
The ornamental design for a molded glass cover, as shown and described.

**DESCRIPTION**

FIG. 1 is a perspective view of the molded glass cover showing my new design;  
FIG. 2 is a front view thereof;  
FIG. 3 is a rear view thereof;  
FIG. 4 is a right side view thereof;  
FIG. 5 is a left side view thereof;  
FIG. 6 is a top plan view thereof; and,  
FIG. 7 is a bottom plan view thereof.

The broken line is for illustrative purposes only and forms no part of the claimed design. The surface shading illustrated in the drawings is provided merely to highlight the contour of the design; it is not intended to be illustrative of texture or gloss.

**1 Claim, 4 Drawing Sheets**



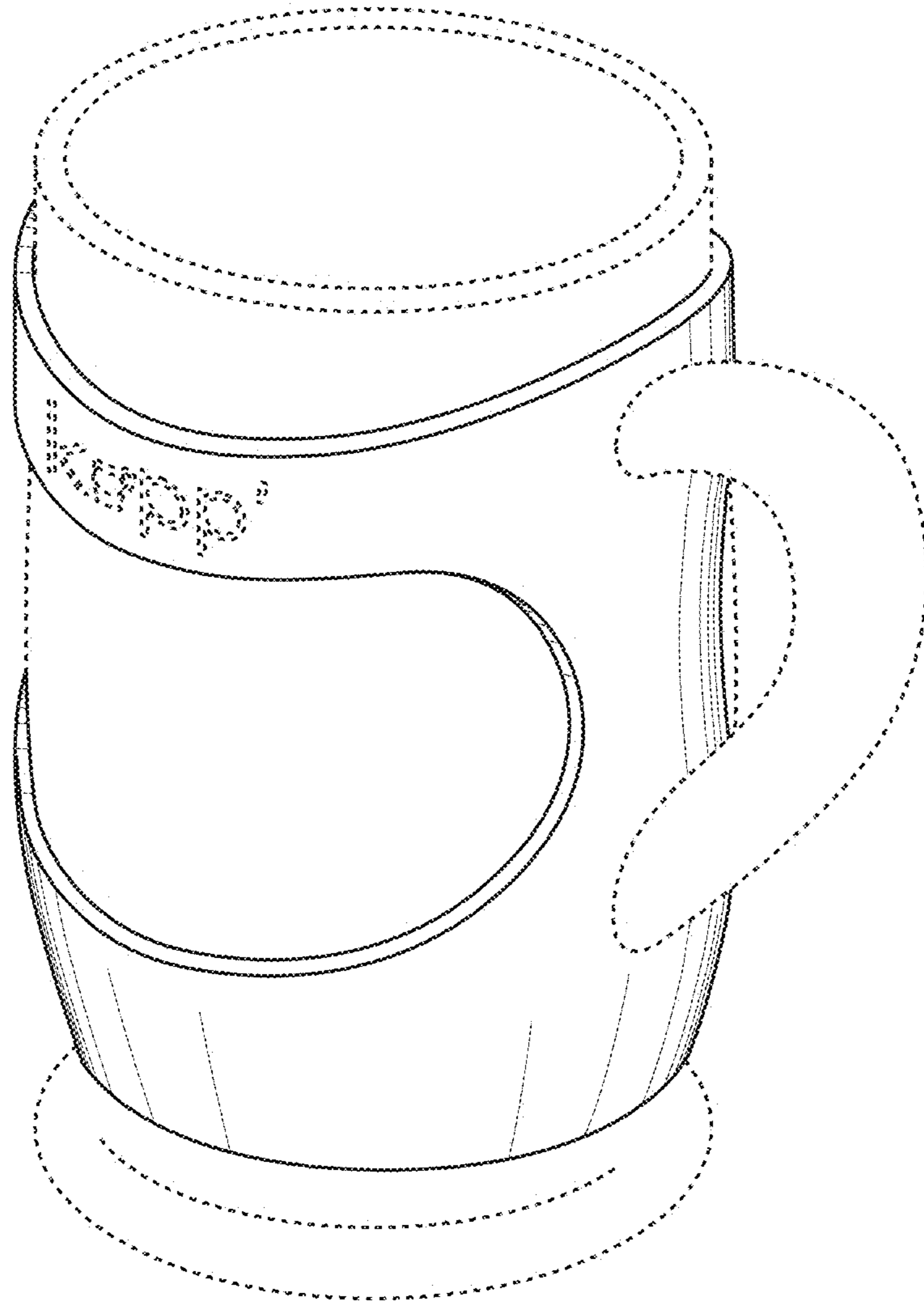


FIG. 1

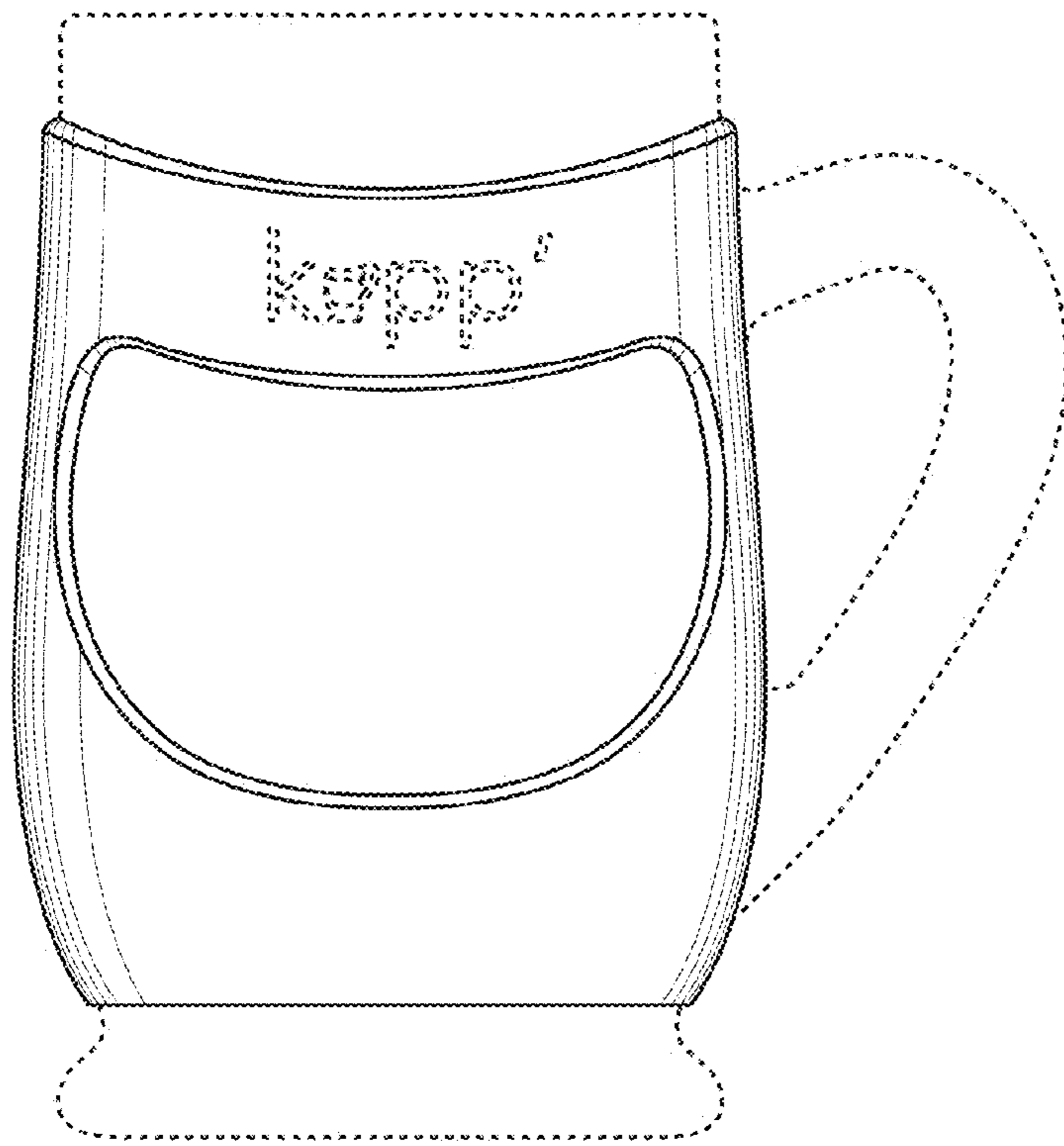


FIG. 2

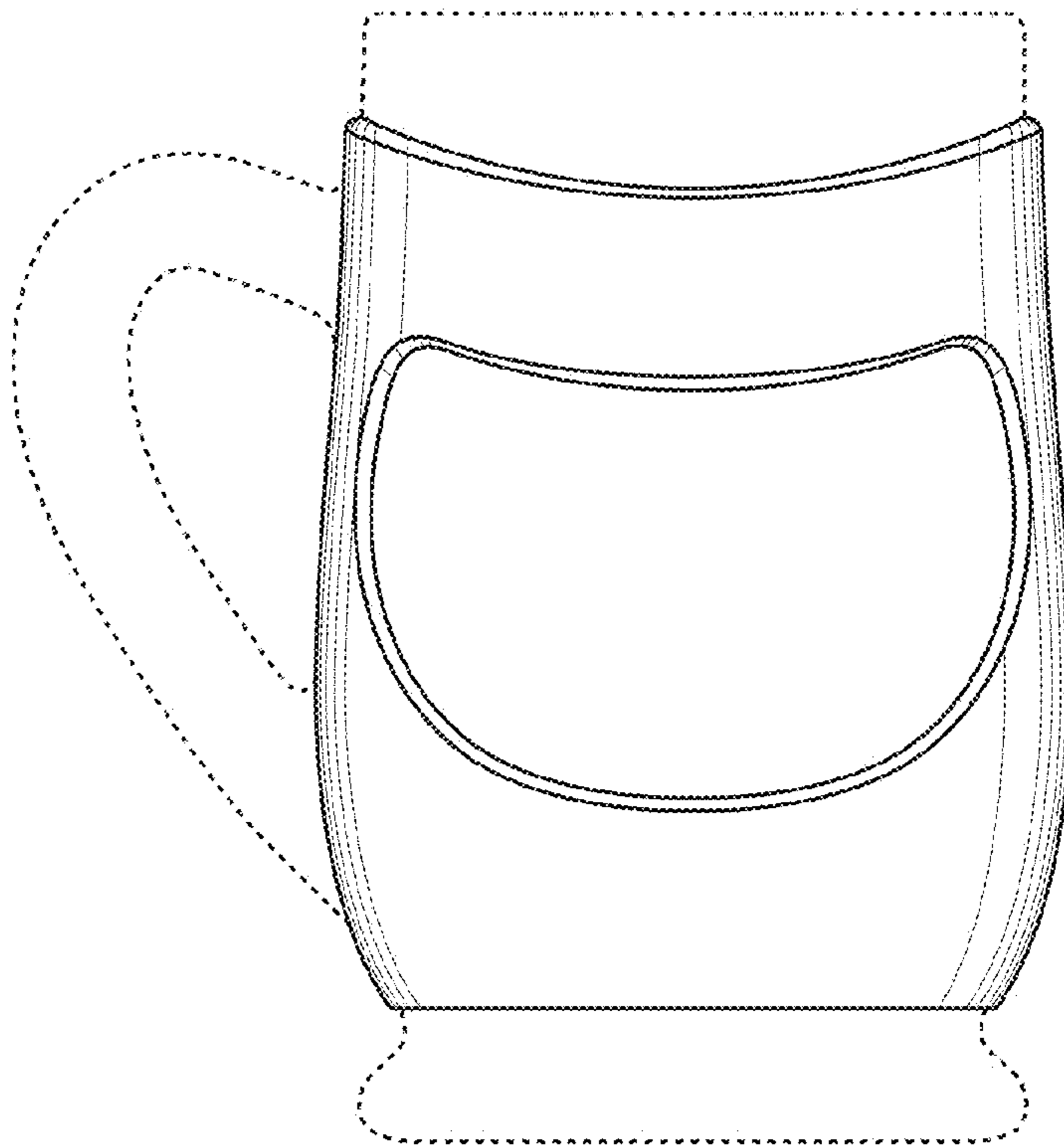


FIG. 3

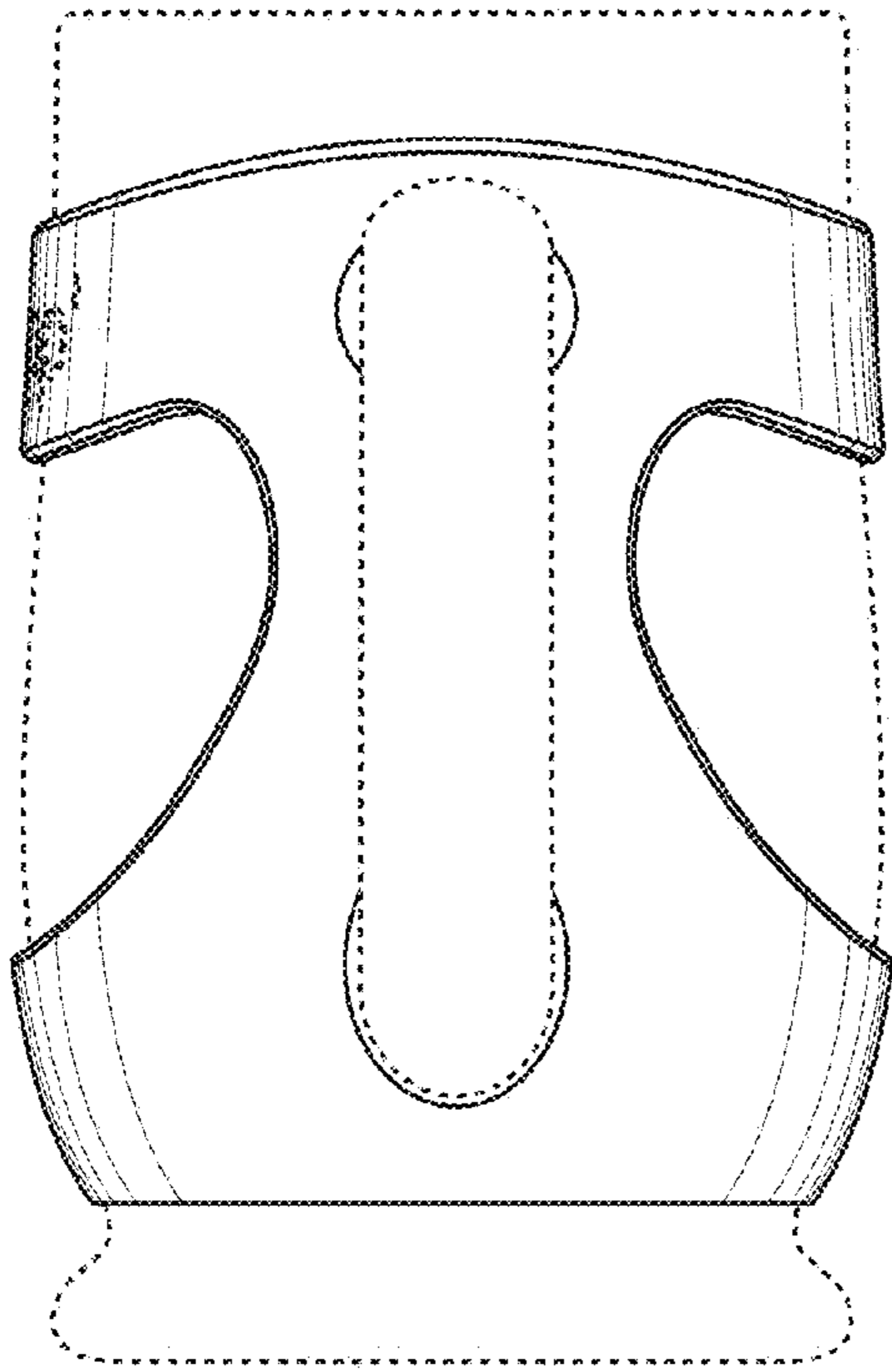


FIG. 4

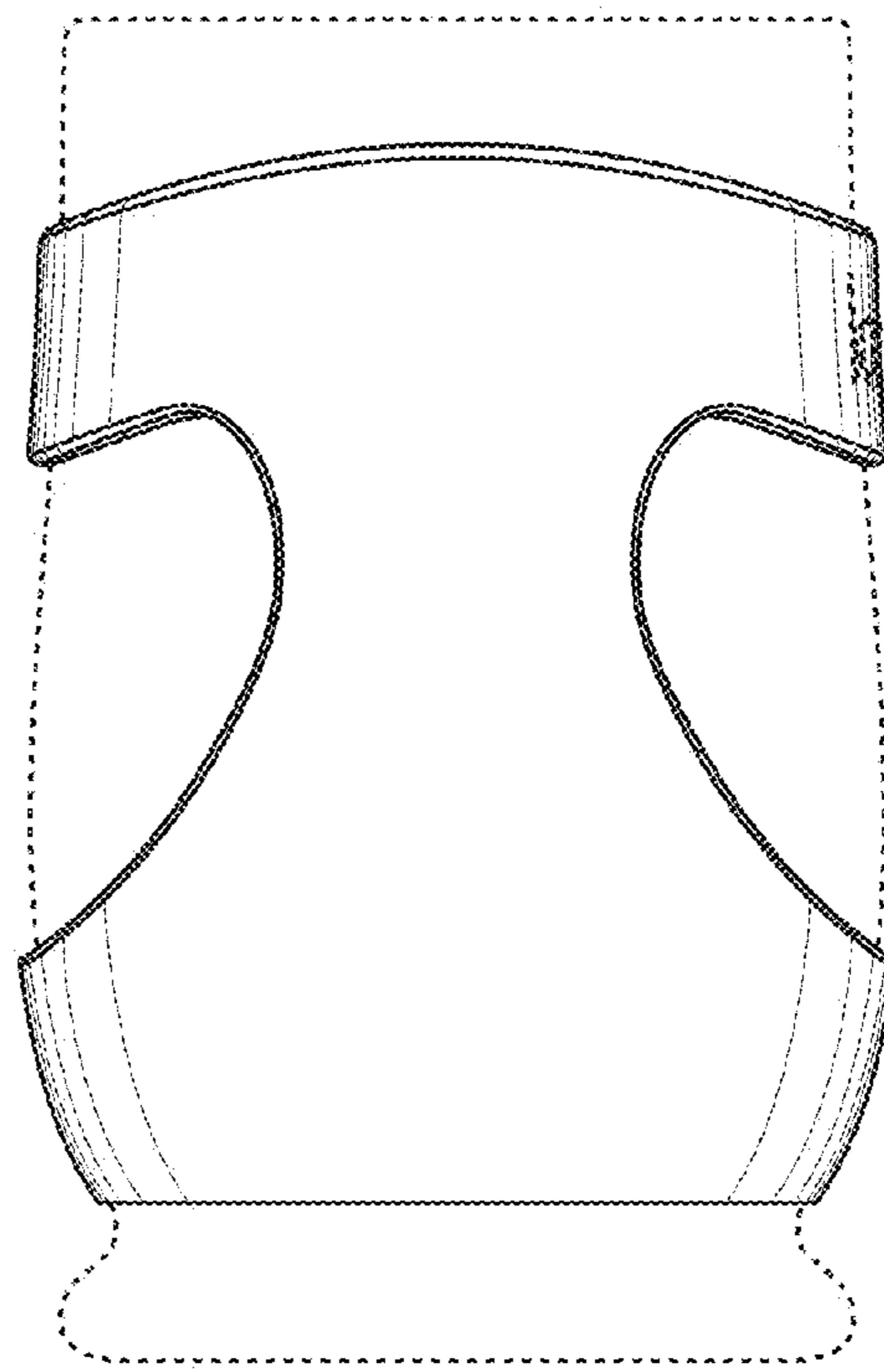


FIG. 5

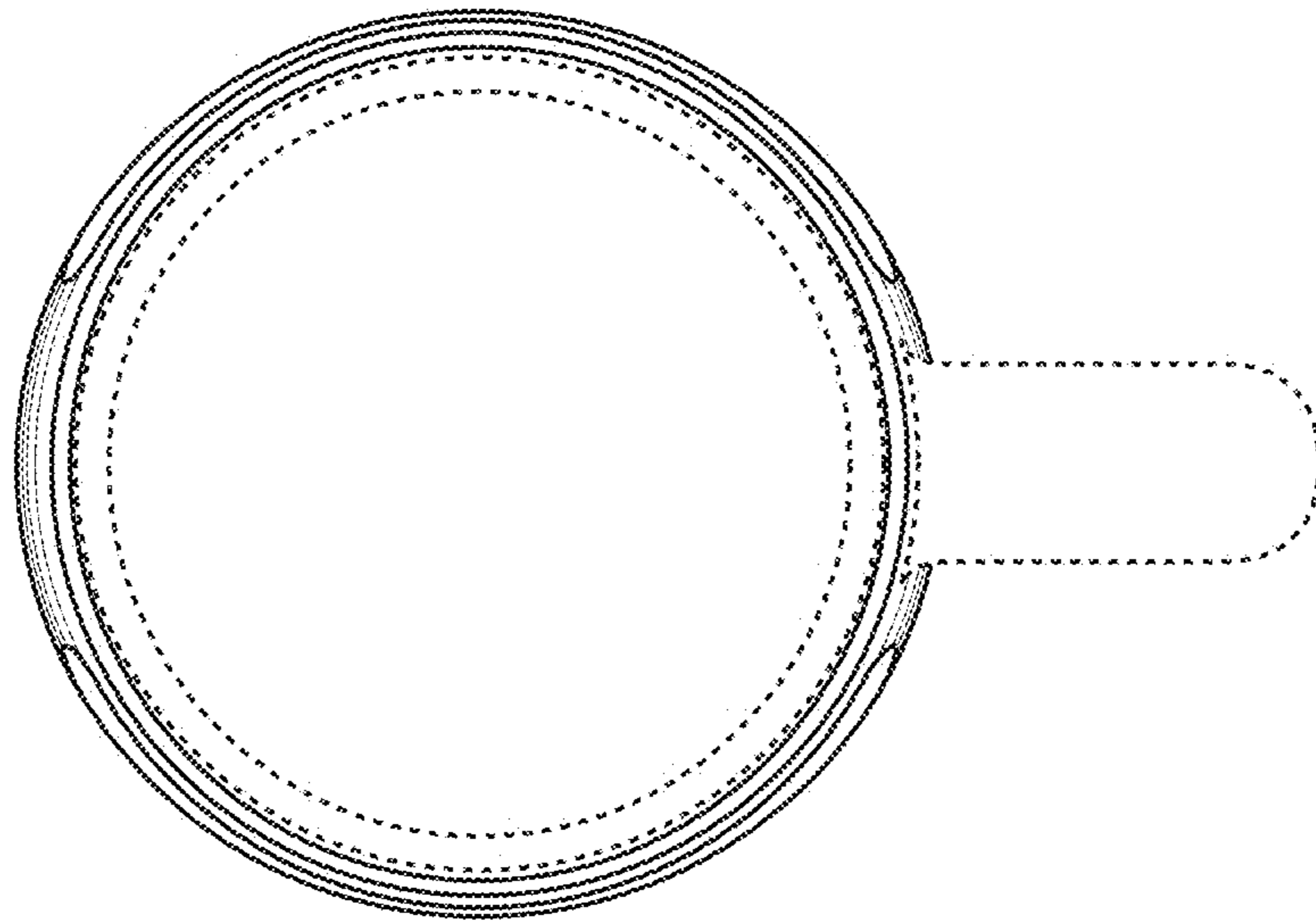


FIG. 6

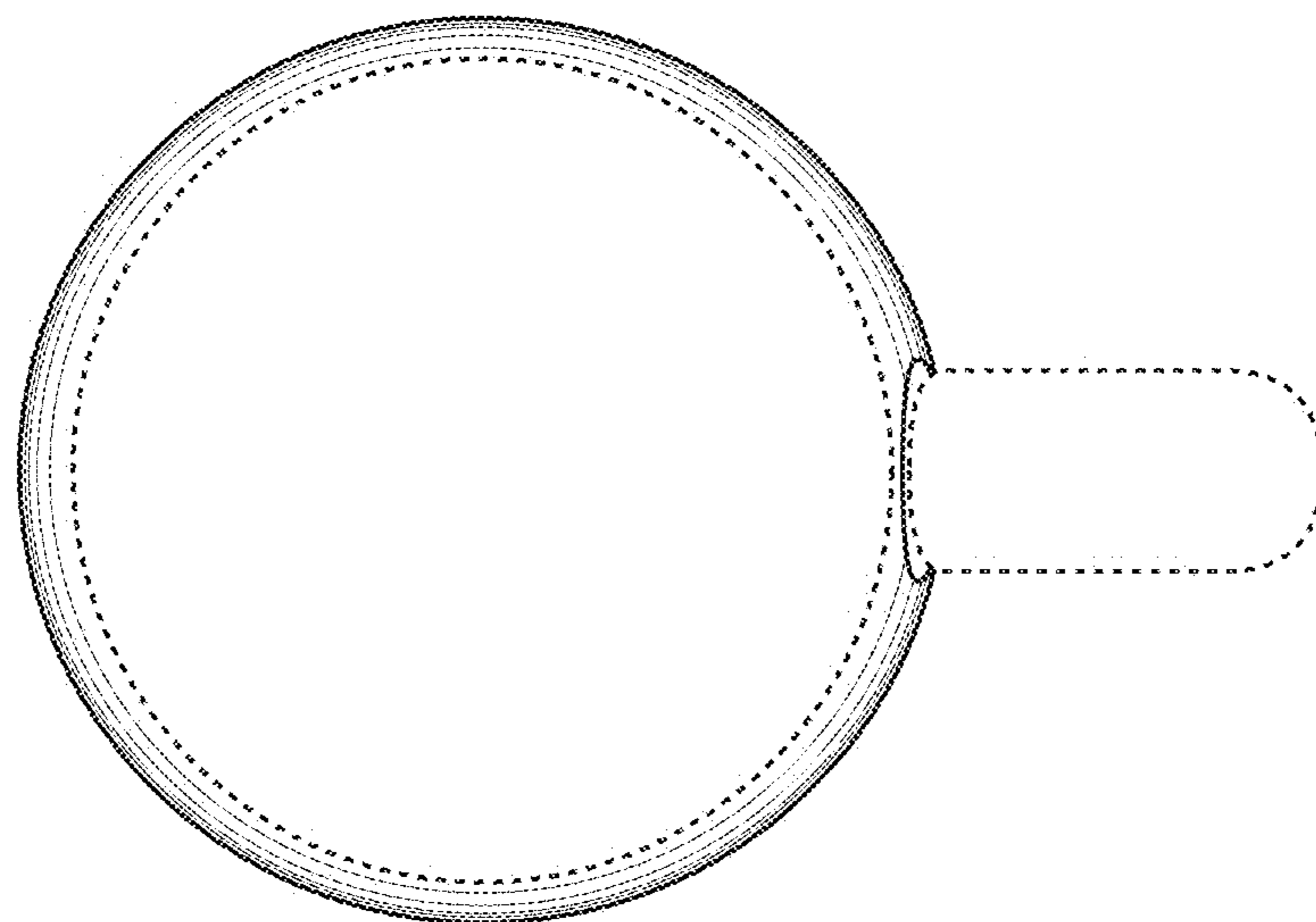


FIG. 7