



US00D748954S

(12) **United States Design Patent**
Romley

(10) **Patent No.:** **US D748,954 S**
(45) **Date of Patent:** **** Feb. 9, 2016**

(54) **DRINK HOLDER**

(71) Applicant: **Michael Romley**, Phoenix, AZ (US)

(72) Inventor: **Michael Romley**, Phoenix, AZ (US)

(**) Term: **14 Years**

(21) Appl. No.: **29/500,156**

(22) Filed: **Aug. 21, 2014**

(51) **LOC (10) Cl.** **07-06**

(52) **U.S. Cl.**
USPC **D7/620**

(58) **Field of Classification Search**
USPC D7/619.1–625, 605–608, 701–708;
D9/444, 455; D12/411
CPC B65D 81/3879; B65D 81/3876; B65D
81/3881; B65D 81/3883; B65D 81/3886;
A47G 23/0241

See application file for complete search history.

(56) **References Cited**

U.S. PATENT DOCUMENTS

D369,526 S * 5/1996 Colton D7/620
8,251,247 B1 * 8/2012 Breckner A47G 23/0241
220/592.16
2002/0113072 A1 * 8/2002 Lane B65D 81/3879
220/739

OTHER PUBLICATIONS

Kroozer Cups USA, LLC, The Kroozie, The Original Stainless Steel Cup Holder, <http://stores.kroozercups.com/kroozie-specifications> and <http://stores.kroozercups.com/gallery/>, screen shots taken Aug. 19, 2014.

Cruiser Candy, Coo Coo Nutz Drink Holder—Sad Face, <http://www.cruisercandy.com/shop/bicycle-drink-holders/coo-coo-nutz-drink-holder-sad-face/>; screen shot taken Aug. 20, 2014.

Cruiser Candy, Purple Rhinestone Nutz Drink Holder—Sad Face, <http://www.cruisercandy.com/shop/bicycle-drink-holders/purple-rhinestone-drink-holder/>; screen shot taken Aug. 20, 2014.
Cruiser Candy, Bicycle Drink Holders, <http://www.cruisercandy.com/product-category/categories/bicycle-drink-holders/>; screen shot taken Aug. 20, 2014.

* cited by examiner

Primary Examiner — Terry Wallace

(74) *Attorney, Agent, or Firm* — Venjuris, P.C.

(57) **CLAIM**

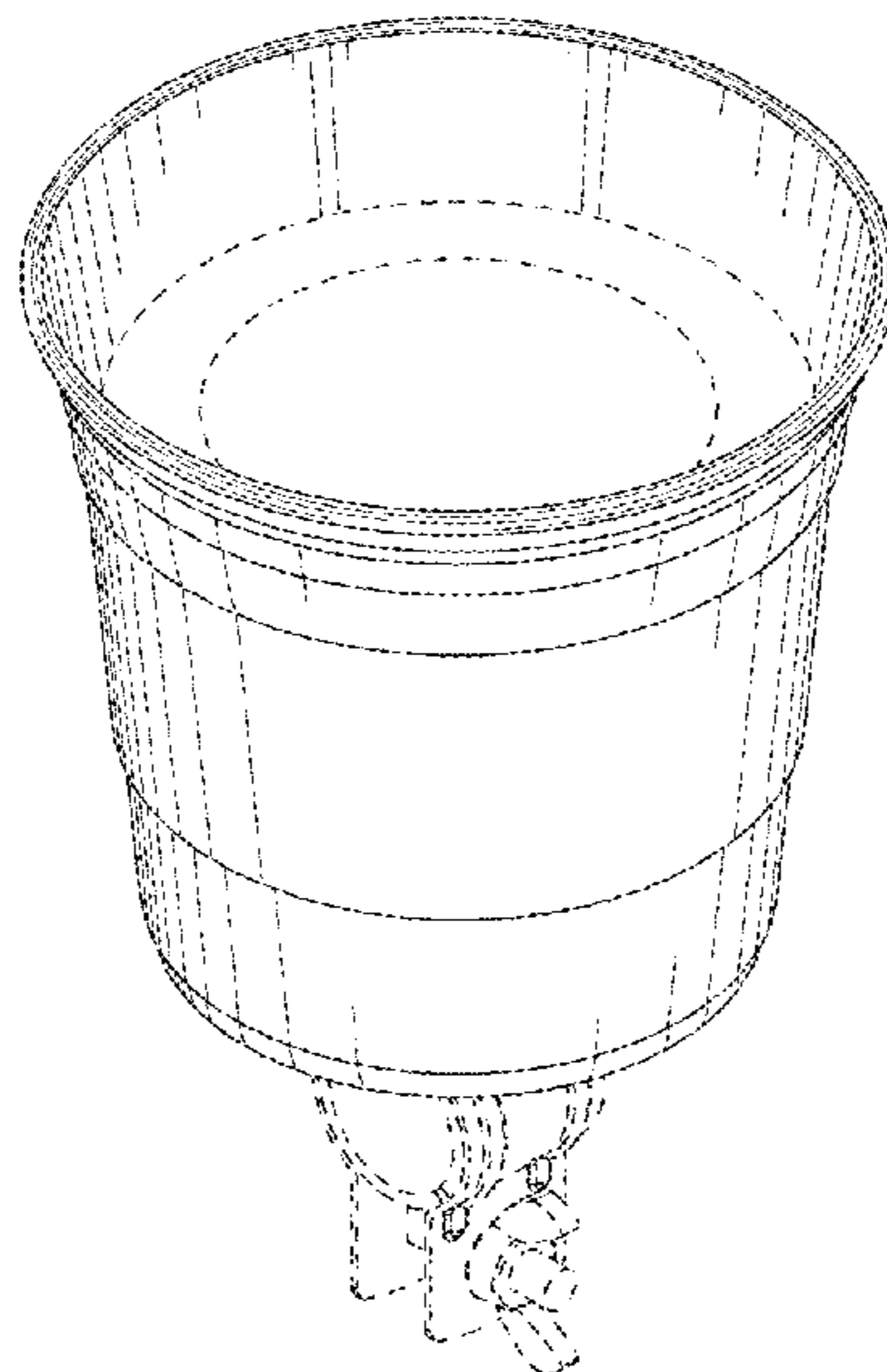
The ornamental design for a drink holder, as shown and described.

DESCRIPTION

FIG. 1 is a top front perspective view of a drink holder embodying the new design;
FIG. 2 is a left side view of the drink holder of FIG. 1;
FIG. 3 is a back view of the drink holder of FIG. 1;
FIG. 4 is a front view of the drink holder of FIG. 1;
FIG. 5 is a bottom view of the drink holder of FIG. 1;
FIG. 6 is a top view of the drink holder of FIG. 1; and,
FIG. 7 is a top front perspective view of the drink holder of FIG. 1 showing the drink holder attached to a bicycle handlebar.

The bicycle handlebar of FIG. 7, the holder elements of FIGS. 1, 6 and 7, and the mounting elements of FIGS. 1-7 are shown in broken lines for illustrative purposes only and form no part of the claimed design.

1 Claim, 4 Drawing Sheets



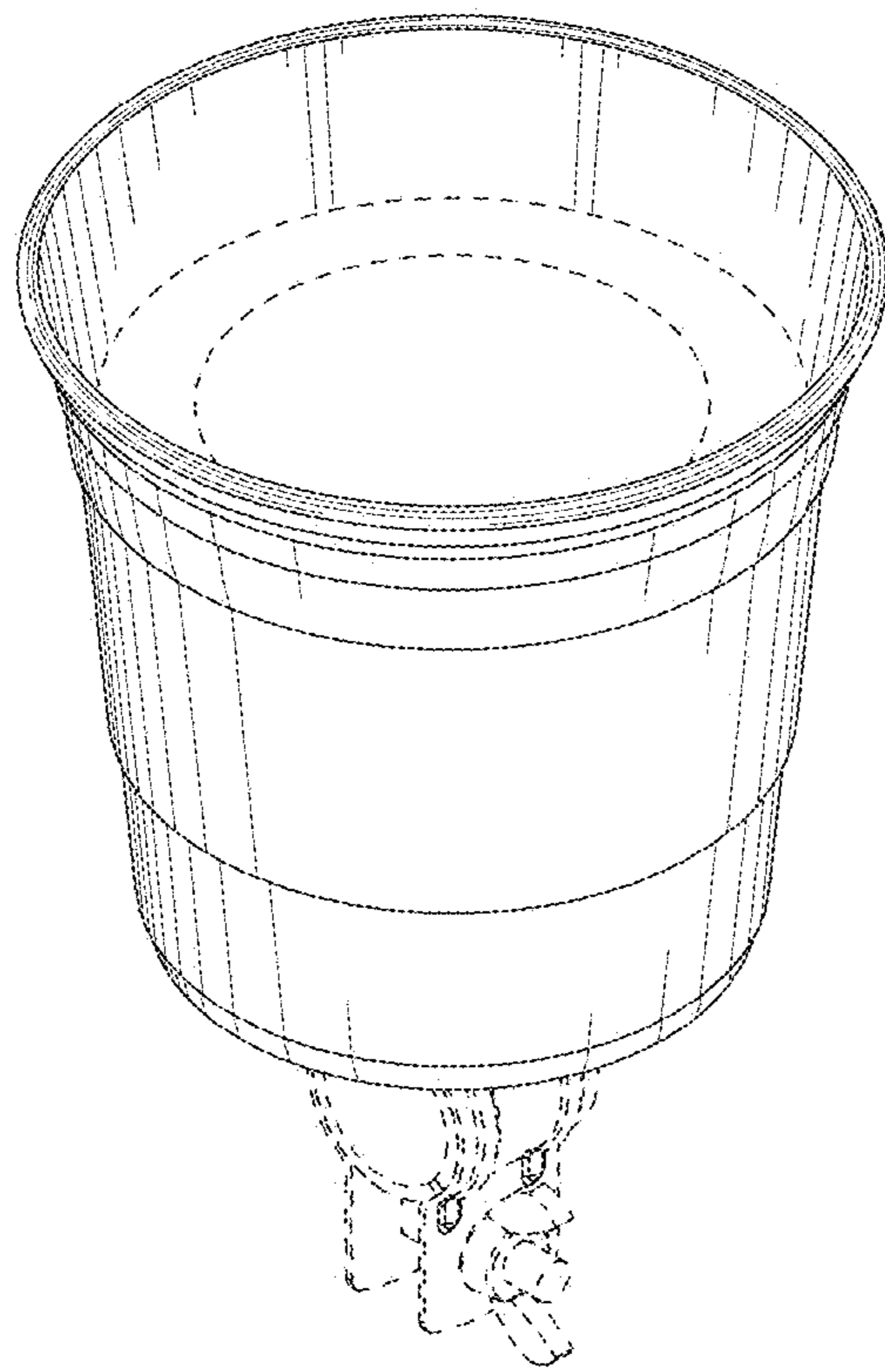


FIG. 1

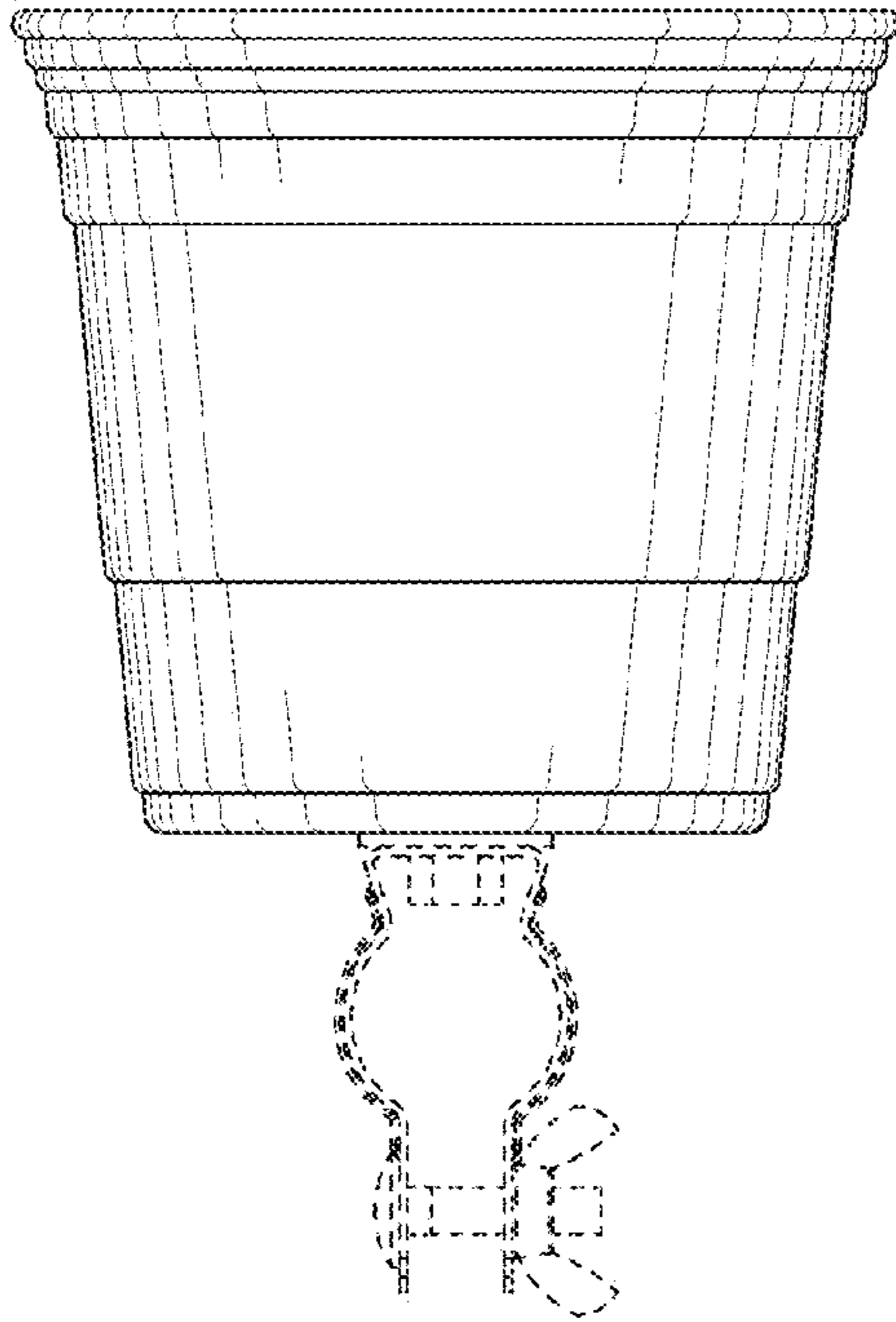


FIG. 2

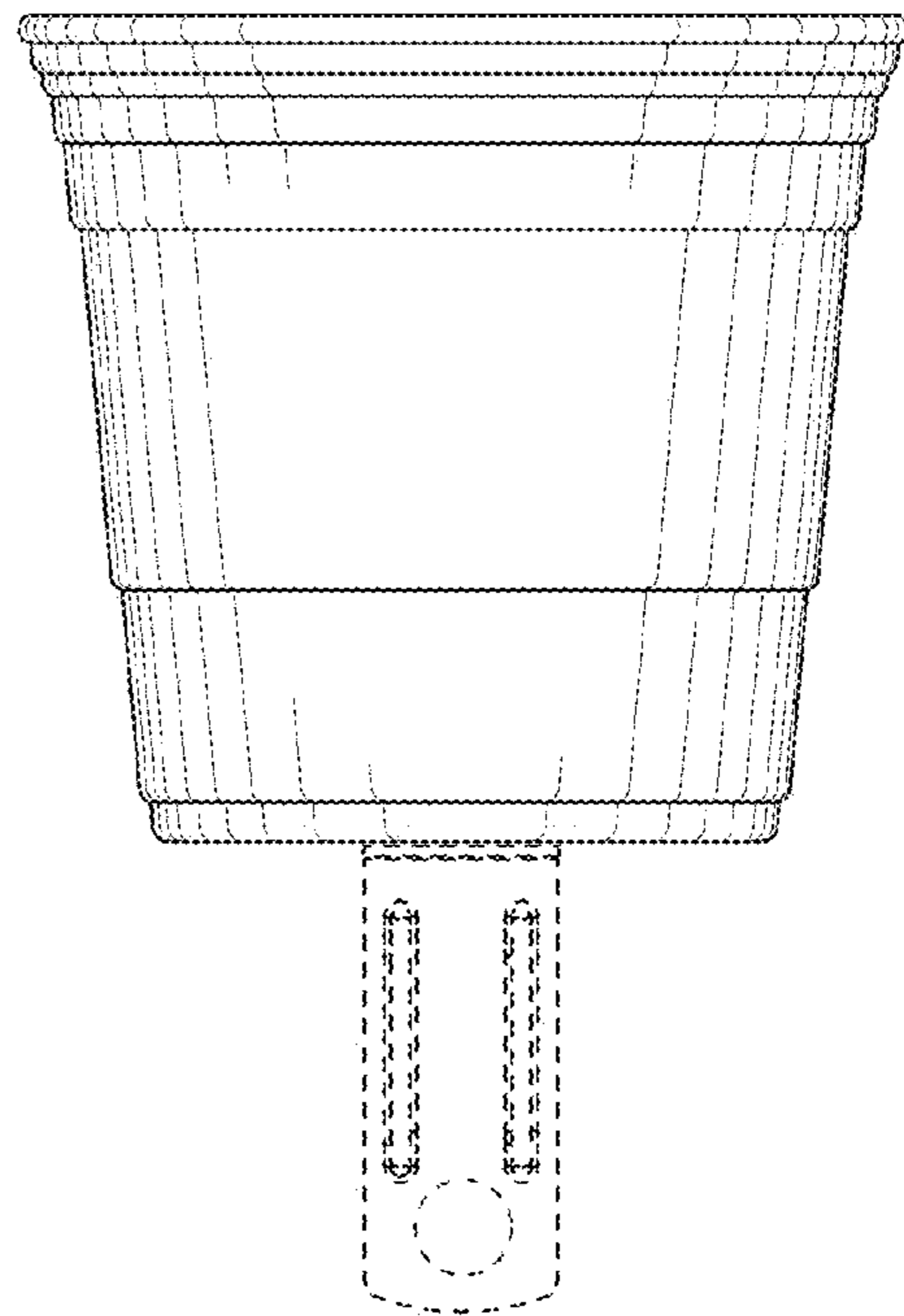


FIG. 3

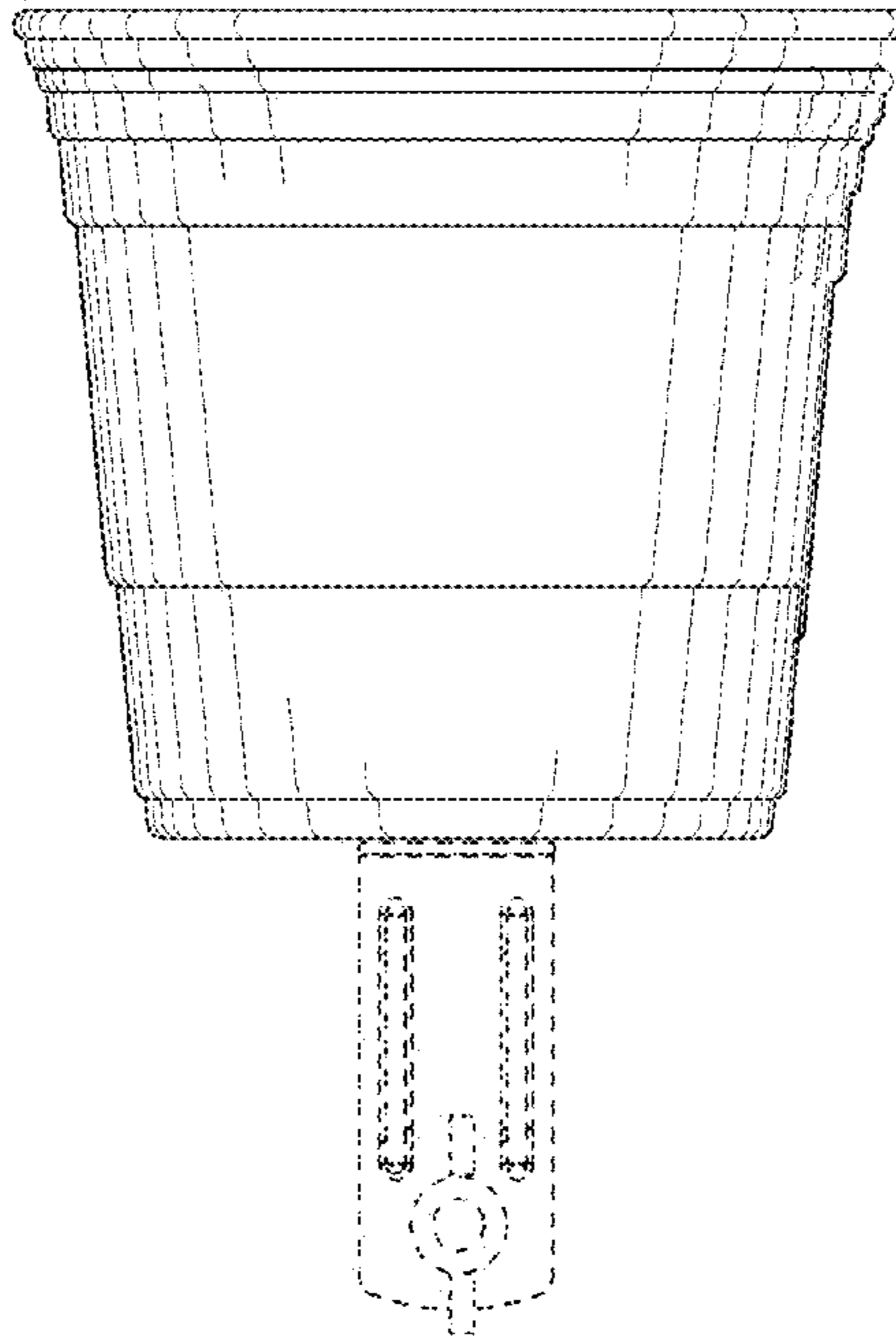


FIG. 4

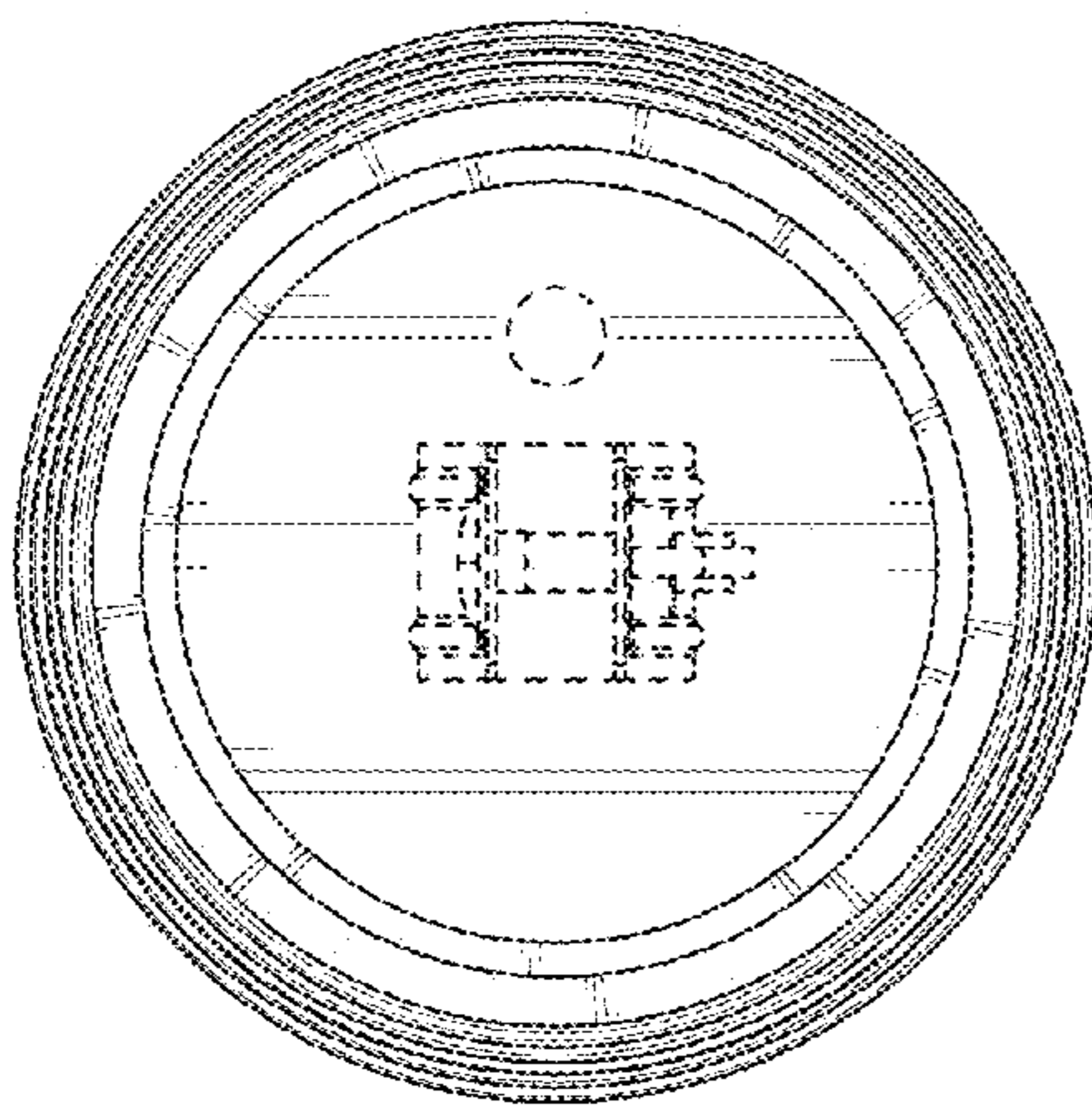


FIG. 5

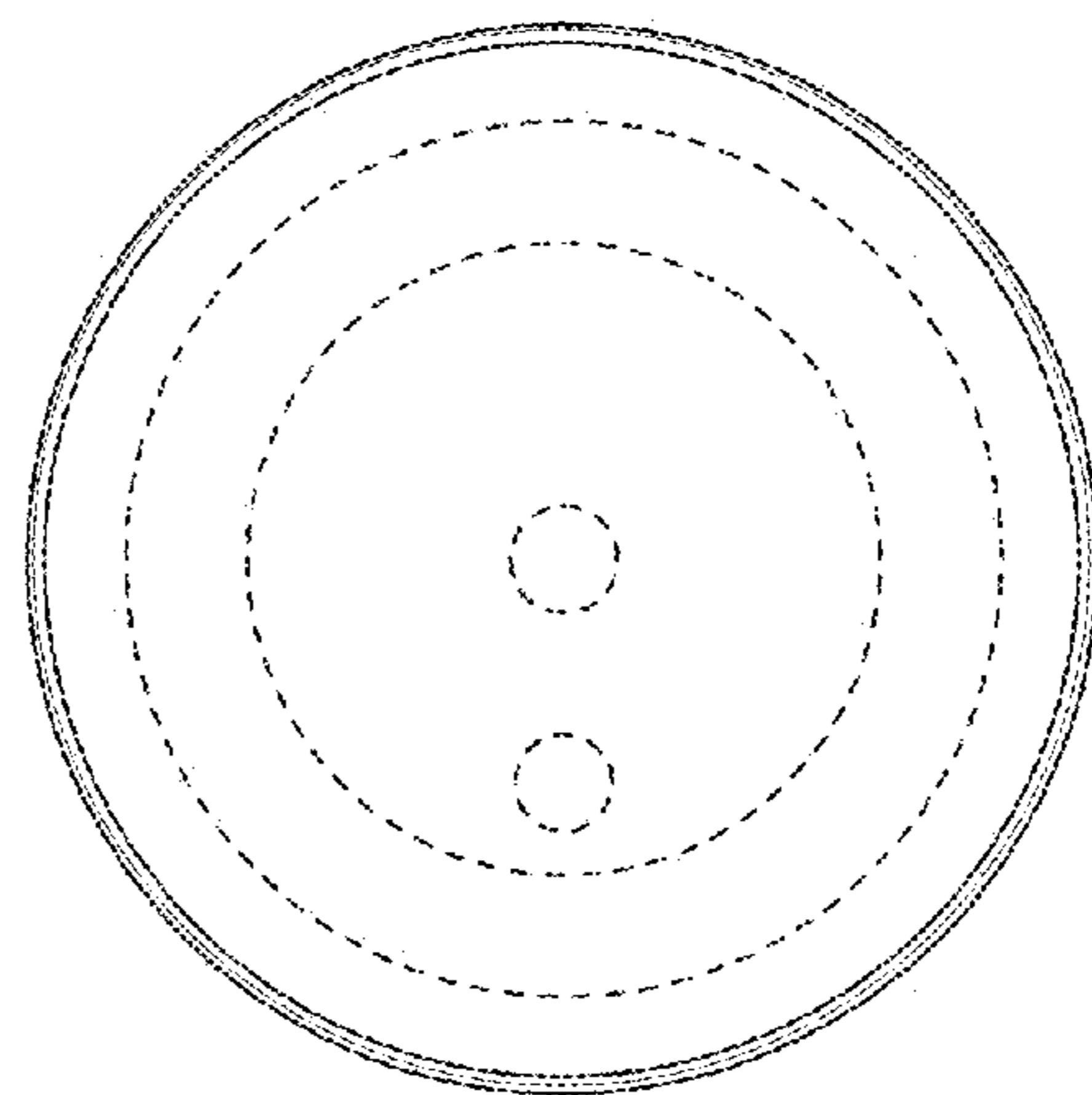


FIG. 6

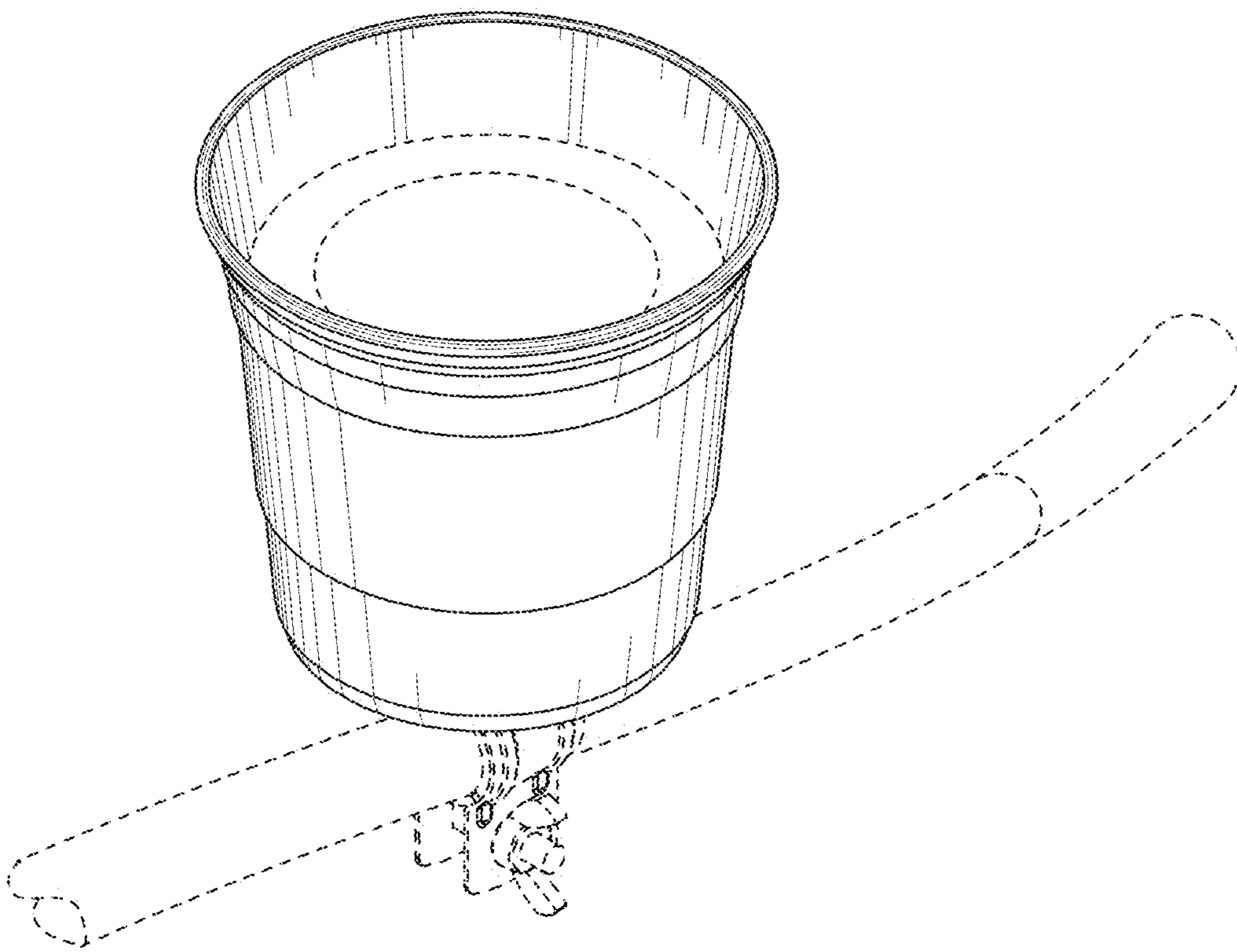


FIG. 7