



US00D748950S

(12) **United States Design Patent**  
**Goodman et al.**

(10) **Patent No.:** **US D748,950 S**  
(45) **Date of Patent:** **\*\* Feb. 9, 2016**

(54) **FRUIT BOWL**

- (71) Applicant: **Spectrum Diversified Designs, Inc.**,  
Streetsboro, OH (US)
- (72) Inventors: **Sheldon H. Goodman**, Solon, OH (US);  
**Phaysouk Xayoiphonh**, Akron, OH  
(US); **Jennifer K. Case**, Middleburgh  
Heights, OH (US)
- (73) Assignee: **Spectrum Diversified Designs, LLC**,  
Streetsboro, OH (US)
- (\*\*) Term: **14 Years**
- (21) Appl. No.: **29/494,719**
- (22) Filed: **Jun. 24, 2014**
- (51) **LOC (10) Cl.** ..... **07-01**
- (52) **U.S. Cl.**  
USPC ..... **D7/601**
- (58) **Field of Classification Search**  
USPC ..... D7/601, 584, 586, 587; D3/304, 306;  
220/574–575, 485–495; 211/191.1,  
211/13.1, 41.3, 41.4, 85.4, 85.31  
CPC ..... B65D 7/20; B65D 7/26; B65D 7/14  
See application file for complete search history.

(56) **References Cited**

U.S. PATENT DOCUMENTS

D569,691 S *	5/2008	Goodman	.....	D7/601
D613,559 S *	4/2010	Goodman	.....	D7/601
D616,253 S *	5/2010	Goodman	.....	D7/601
D620,711 S *	8/2010	Hertaus	.....	D3/306
D670,971 S *	11/2012	Goodman	.....	D7/601

\* cited by examiner

*Primary Examiner* — Terry Wallace

(74) *Attorney, Agent, or Firm* — Benesch Friedlander  
Coplan & Aronoff LLP

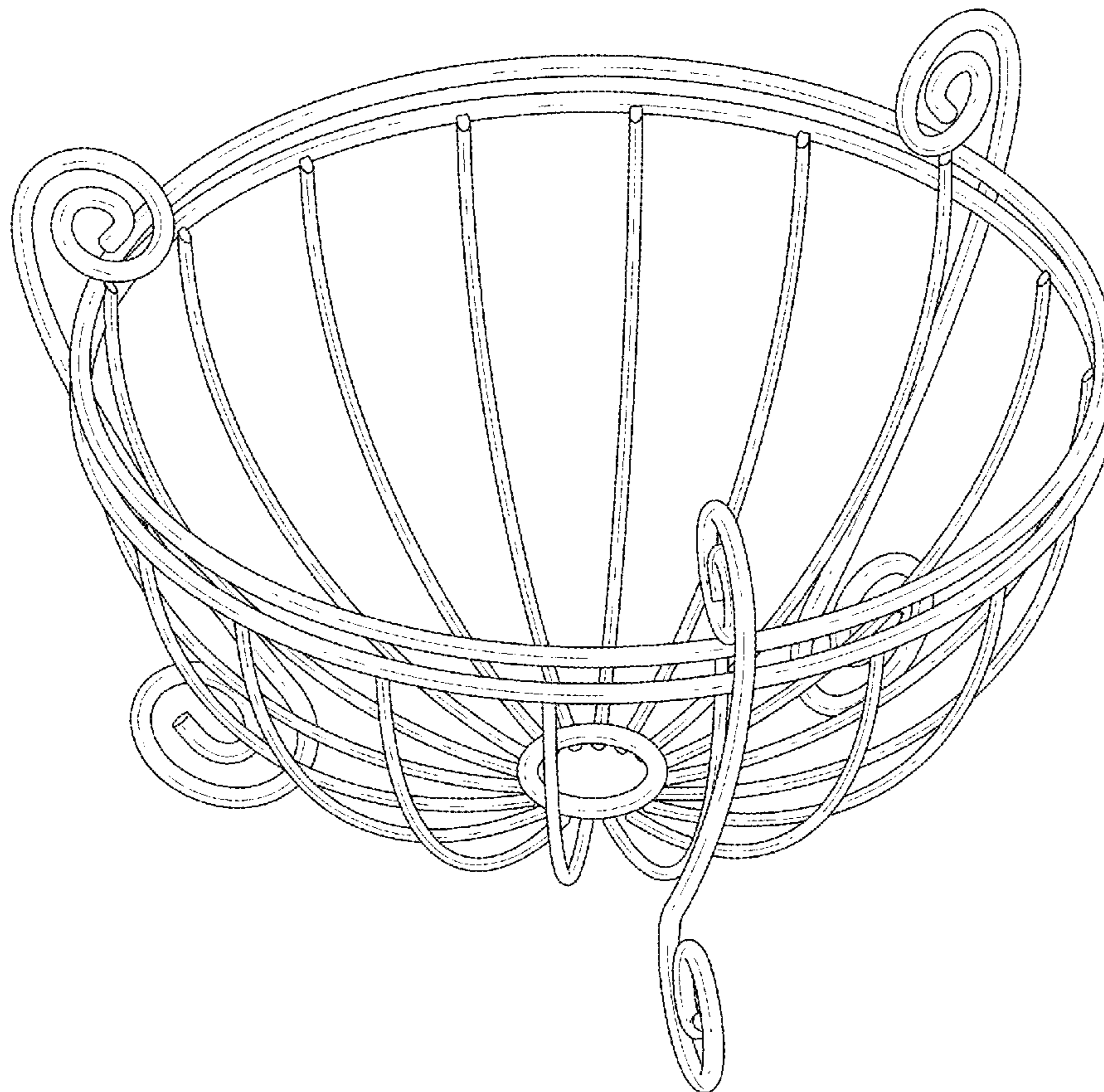
(57) **CLAIM**

What is claimed is the ornamental design for a fruit bowl, as shown and described.

**DESCRIPTION**

FIG. 1 is a perspective view of a fruit bowl showing a new design;  
 FIG. 2 is a top view of the fruit bowl of FIG. 1;  
 FIG. 3 is a front view of the fruit bowl of FIG. 1;  
 FIG. 4 is a side view of the fruit bowl of FIG. 1;  
 FIG. 5 is a bottom view of the fruit bowl of FIG. 1; and,  
 FIG. 6 is a rear view of the fruit bowl of FIG. 1.

**1 Claim, 2 Drawing Sheets**



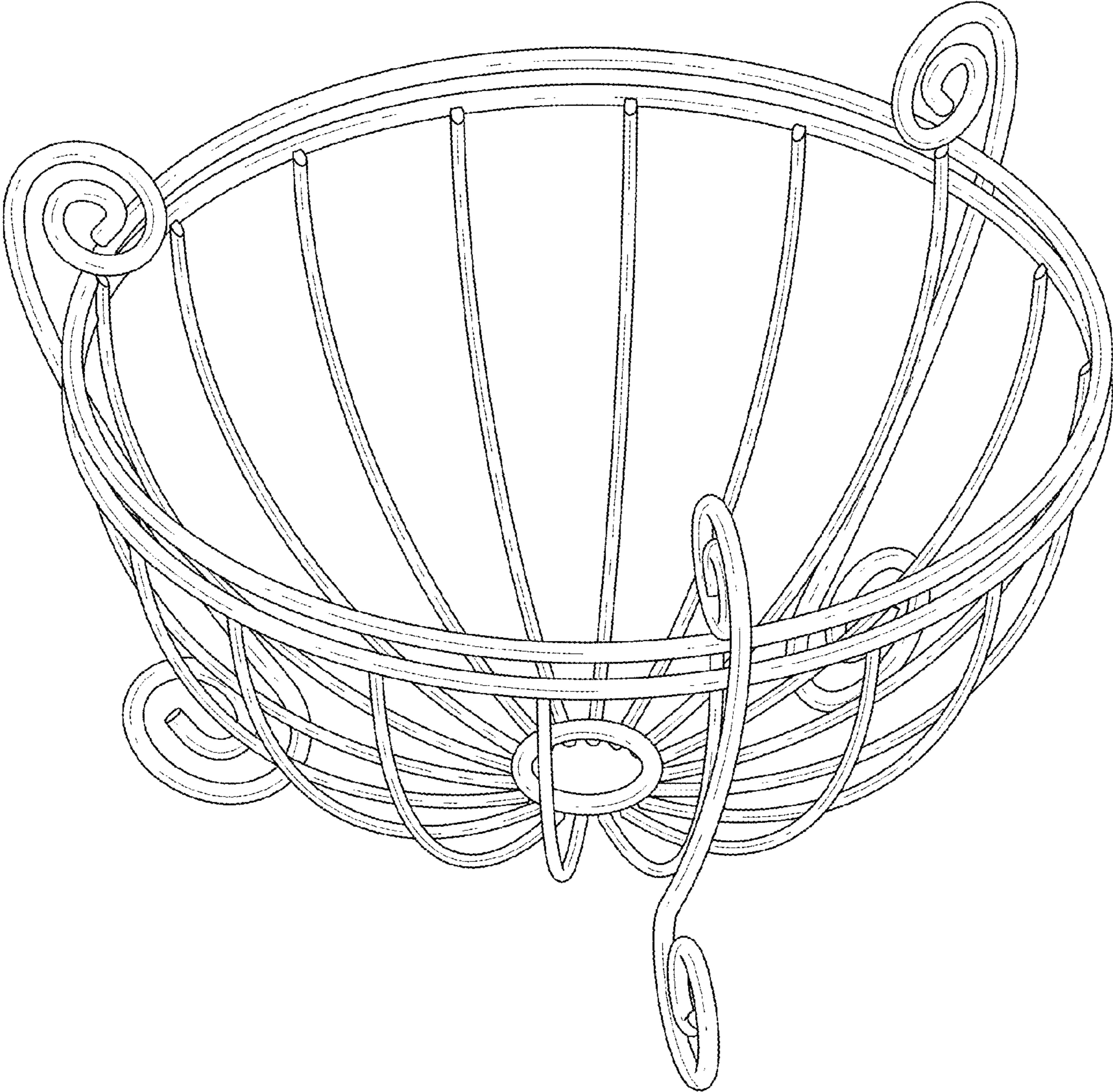


FIG. 1

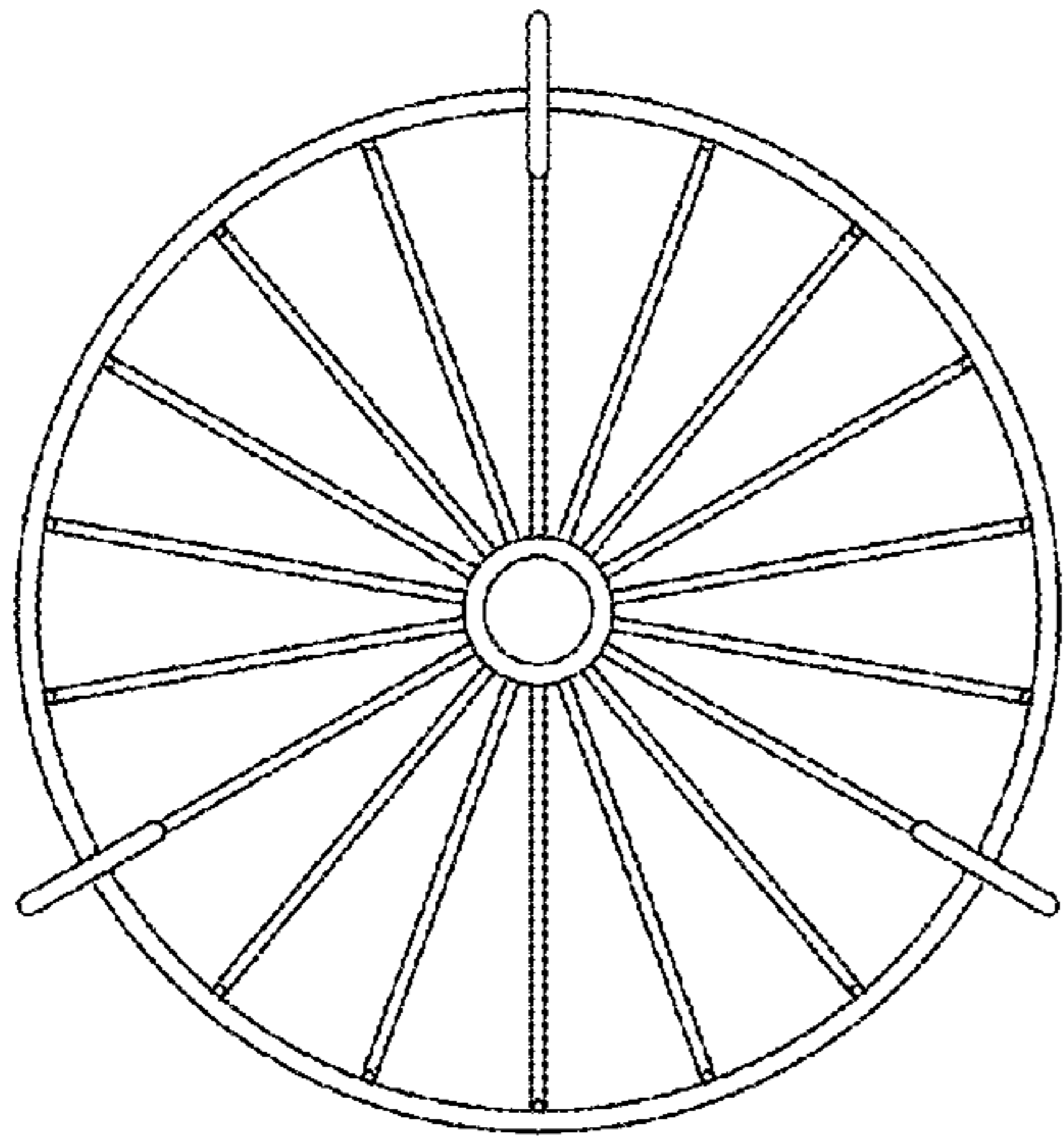


FIG. 2

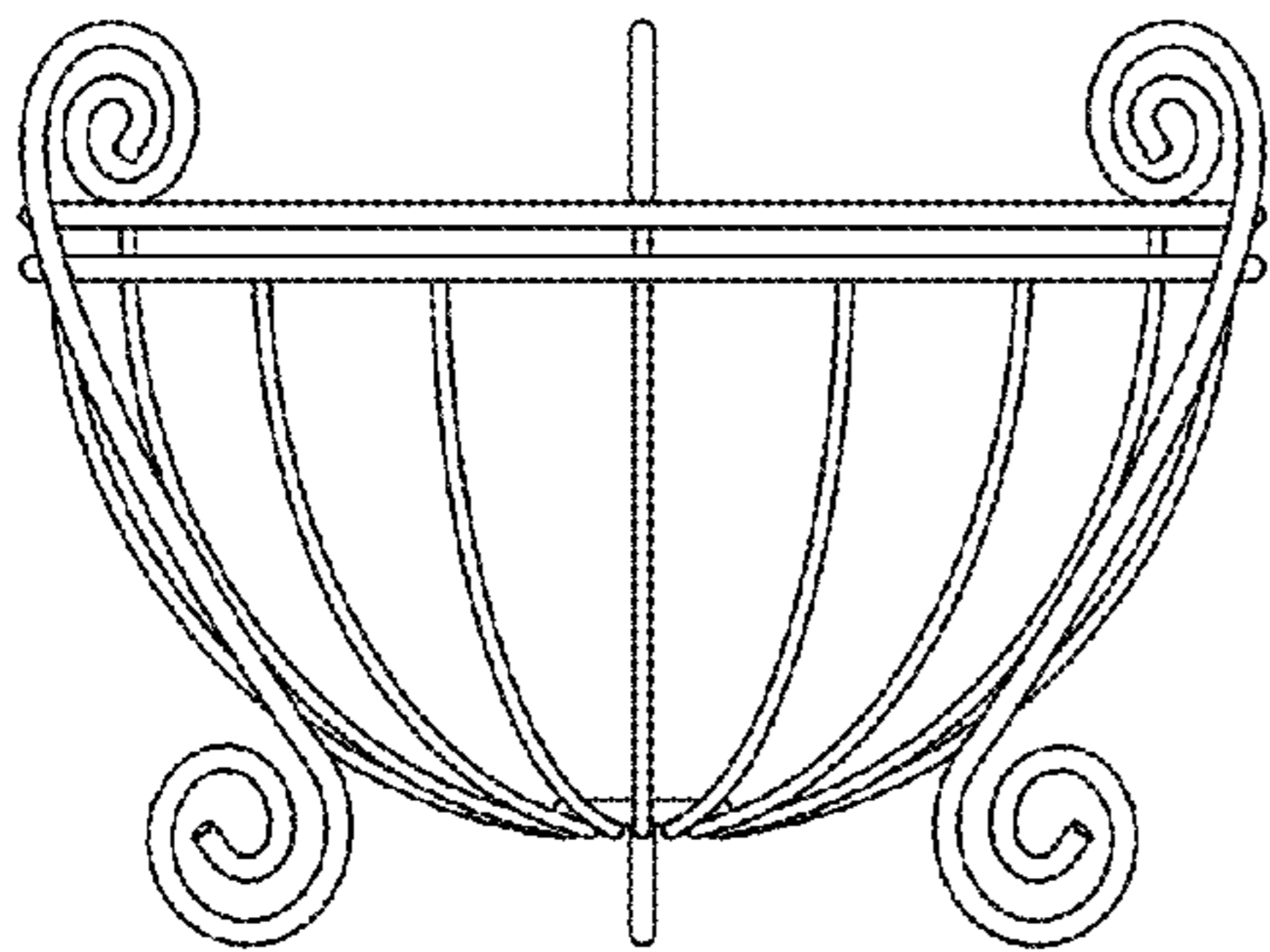


FIG. 3

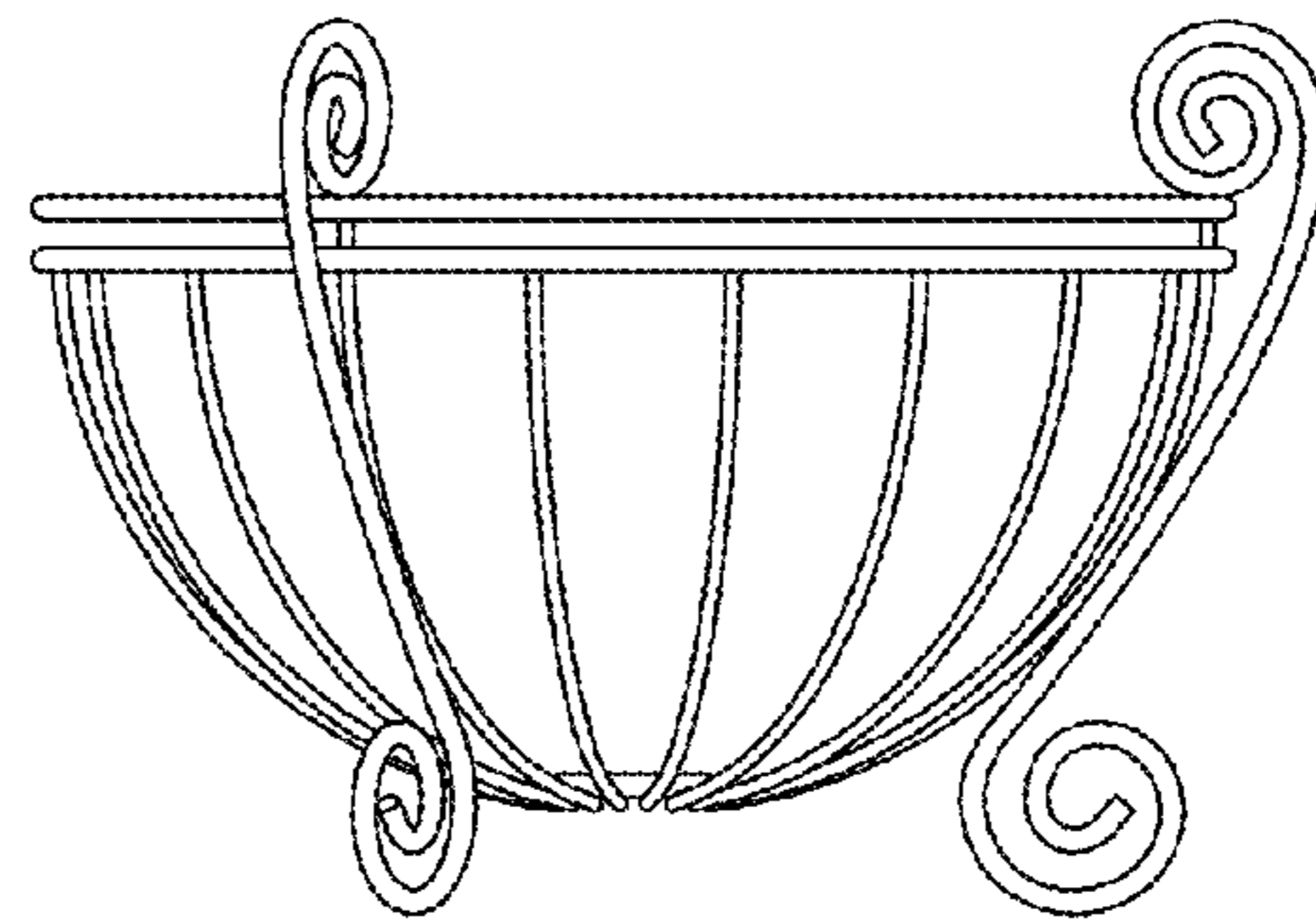


FIG. 4

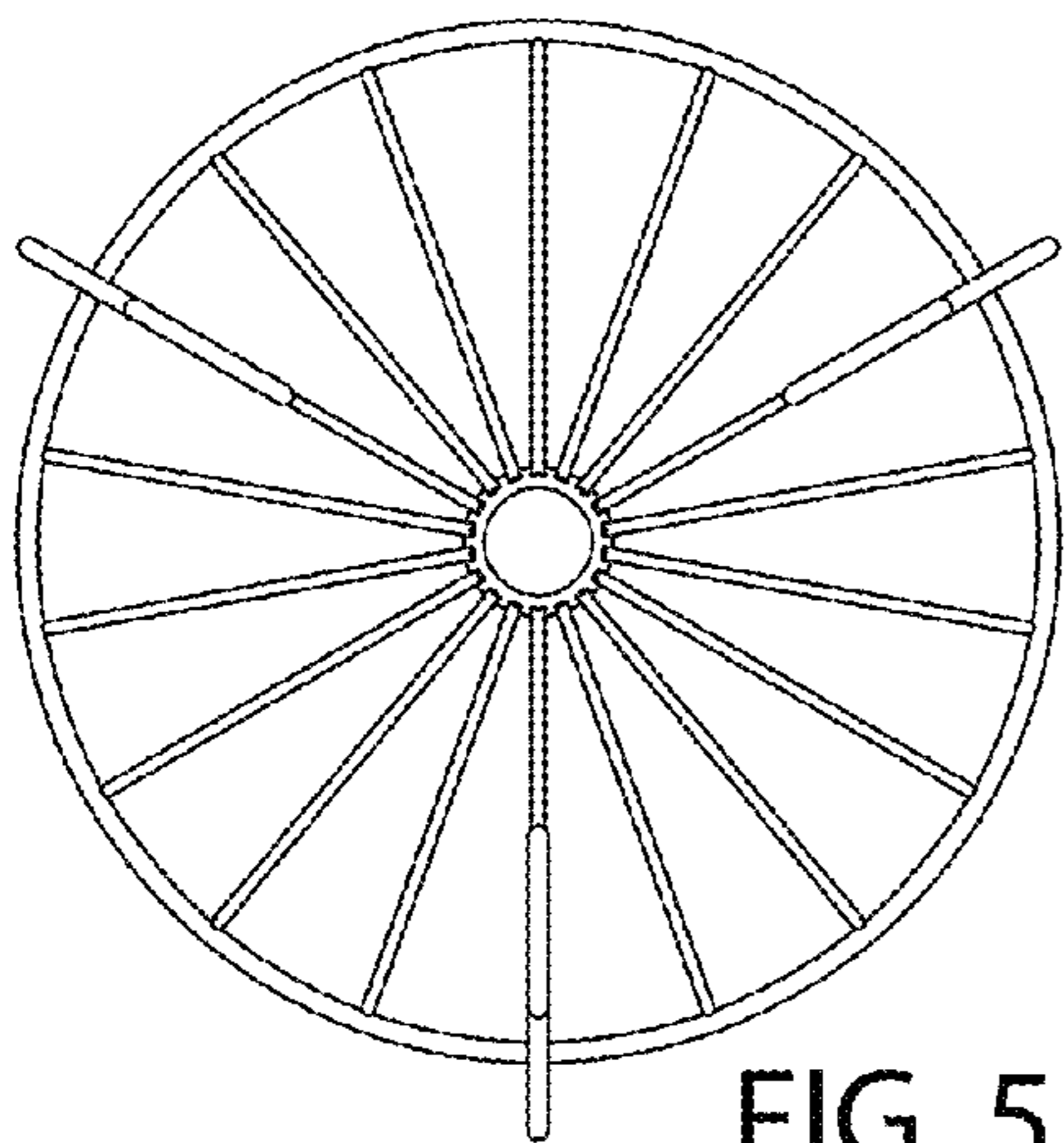


FIG. 5

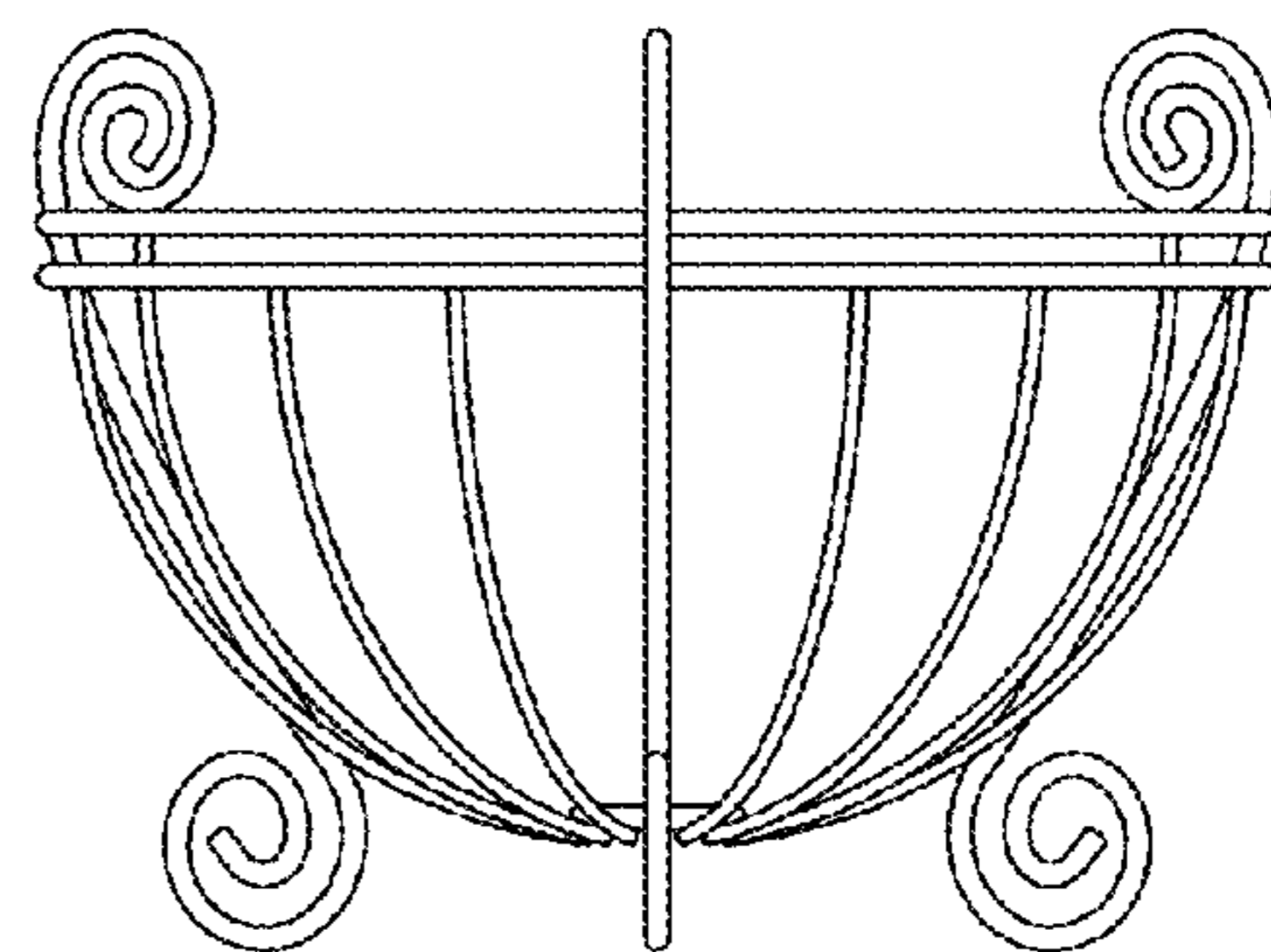


FIG. 6