



US00D748949S

(12) **United States Design Patent**
Long, Sr. et al.

(10) **Patent No.:** **US D748,949 S**
(45) **Date of Patent:** **** Feb. 9, 2016**

- (54) **COFFEE ADDITIVE DISPENSER**
- (71) Applicant: **UNITED FOOD GROUP, INC.**, Elgin, IL (US)
- (72) Inventors: **Robert J. Long, Sr.**, Lake in the Hills, IL (US); **Bryan Real**, West Dundee, IL (US)
- (73) Assignee: **UNITED FOOD GROUP, INC.**, Elgin, IL (US)

- 1,514,225 A 10/1922 Phillips
- 1,920,385 A 10/1930 Hamilton
- 2,053,370 A 9/1936 Kann
- 2,112,470 A 3/1938 Sevelle
- 2,144,155 A 1/1939 Jahnke et al.
- 2,304,457 A 12/1942 Hagan
- 2,537,544 A 1/1951 Parr
- 2,601,939 A 7/1952 Grob
- 2,675,945 A 4/1954 Kahn
- 2,707,580 A 5/1955 Harris
- 2,726,789 A 12/1955 Perry
- 2,805,793 A 9/1957 Crasafulli
- 4,057,175 A 11/1977 Kessler

(**) Term: **14 Years**

(Continued)

(21) Appl. No.: **29/495,443**

(22) Filed: **Jul. 1, 2014**

(51) **LOC (10) Cl.** **07-06**

(52) **U.S. Cl.**
USPC **D7/590**; D7/511; D7/510; D7/608

(58) **Field of Classification Search**
USPC D7/507-511, 523, 532, 533, 534, 536, D7/591, 589, 590, 608, 391, 392, 392.1, D7/396.1, 396.2, 900, 387, 213, 531, 300, D7/300.1, 313; D9/695, 696, 697, 700, D9/701, 711, 712, 715, 718, 719, 726, 727, D9/776, 501, 505, 504, 503, 537, 535, 563, D9/547, 544, 905, 569, 516, 442, 440, 685, D9/448; D28/9, 75, 76, 88; D27/172, 173, D27/183, 186; 206/270, 259, 265, 121, 499, 206/212; D24/224; 220/703, 711, 254.3, 220/254.7, 669; 215/235, 306
CPC .. A45F 3/16; A47G 19/2266; A47G 19/2272; G01K 1/083; B65D 51/26; B65D 85/12; B65D 23/065; B65D 1/265; B65D 55/16; B65D 47/066; A24F 25/02; A45D 33/00; G01F 9/00

See application file for complete search history.

(56) **References Cited**

U.S. PATENT DOCUMENTS

- 979,072 A 12/1910 Javins
- 1,307,908 A 6/1919 Lauerman

OTHER PUBLICATIONS

Various Prior Art Single Use Dispensers (undated).

Primary Examiner — Marianne Pandozzi

Assistant Examiner — Jae Liang

(74) *Attorney, Agent, or Firm* — Price Heneveld LLP

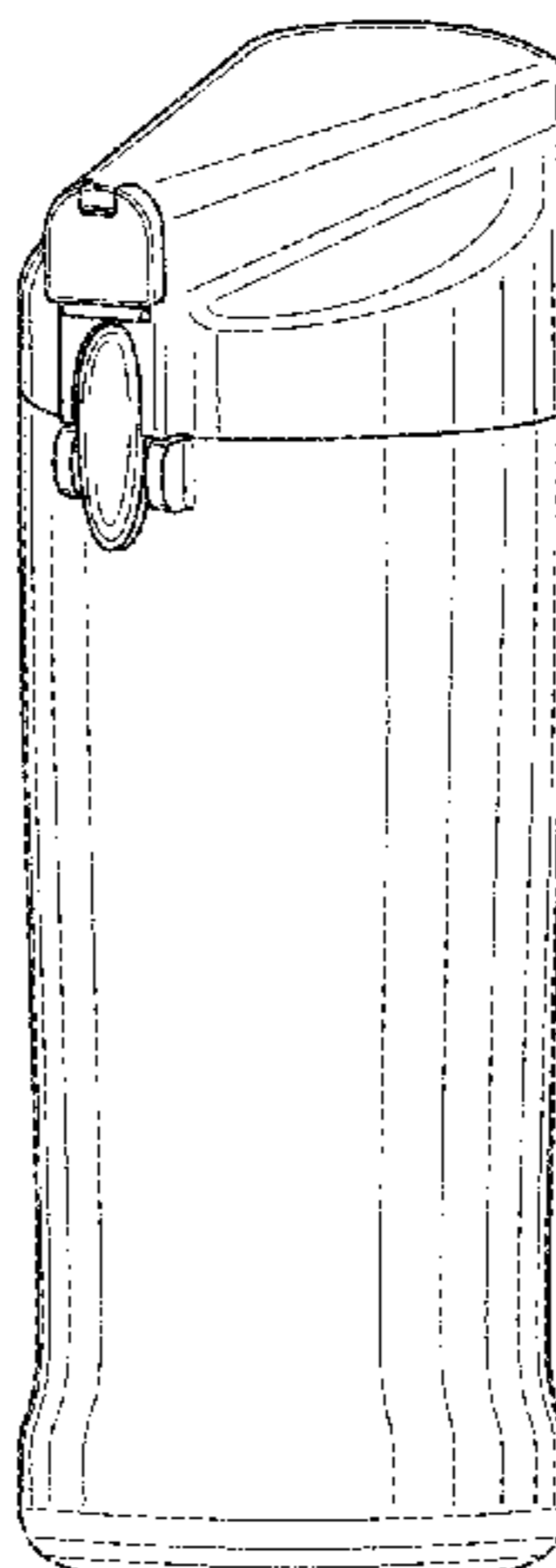
(57) **CLAIM**

The ornamental design for a coffee additive dispenser, as shown and described.

DESCRIPTION

FIG. 1 is a top left perspective view of coffee additive dispenser showing our new design;
 FIG. 2 is a front view thereof;
 FIG. 3 is a left side view thereof; the right side view being a mirror image thereof;
 FIG. 4 is a rear view thereof;
 FIG. 5 is a top view thereof; and,
 FIG. 6 is a bottom view thereof.
 The right side of the new design (not shown) is a mirror image of FIG. 3.

1 Claim, 3 Drawing Sheets



(56)

References Cited

U.S. PATENT DOCUMENTS

4,561,560 A 12/1985 Lyon
5,025,945 A 6/1991 Lyon
5,141,134 A 8/1992 Machado
D431,410 S * 10/2000 Huang D7/313
6,318,597 B1 11/2001 Josephsen et al.
D480,268 S * 10/2003 Laib D7/510
D588,411 S * 3/2009 Watanabe D7/507

D592,012 S * 5/2009 Carreno D7/510
D623,473 S * 9/2010 Chen D7/510
D655,580 S * 3/2012 Kotani D7/608
D655,581 S * 3/2012 Kotani D7/608
D690,559 S * 10/2013 Lane D7/510
8,550,269 B2 * 10/2013 Lane B65D 47/066
215/229
D702,505 S * 4/2014 Nakatani D7/605
D726,498 S * 4/2015 Bukhari D7/510

* cited by examiner

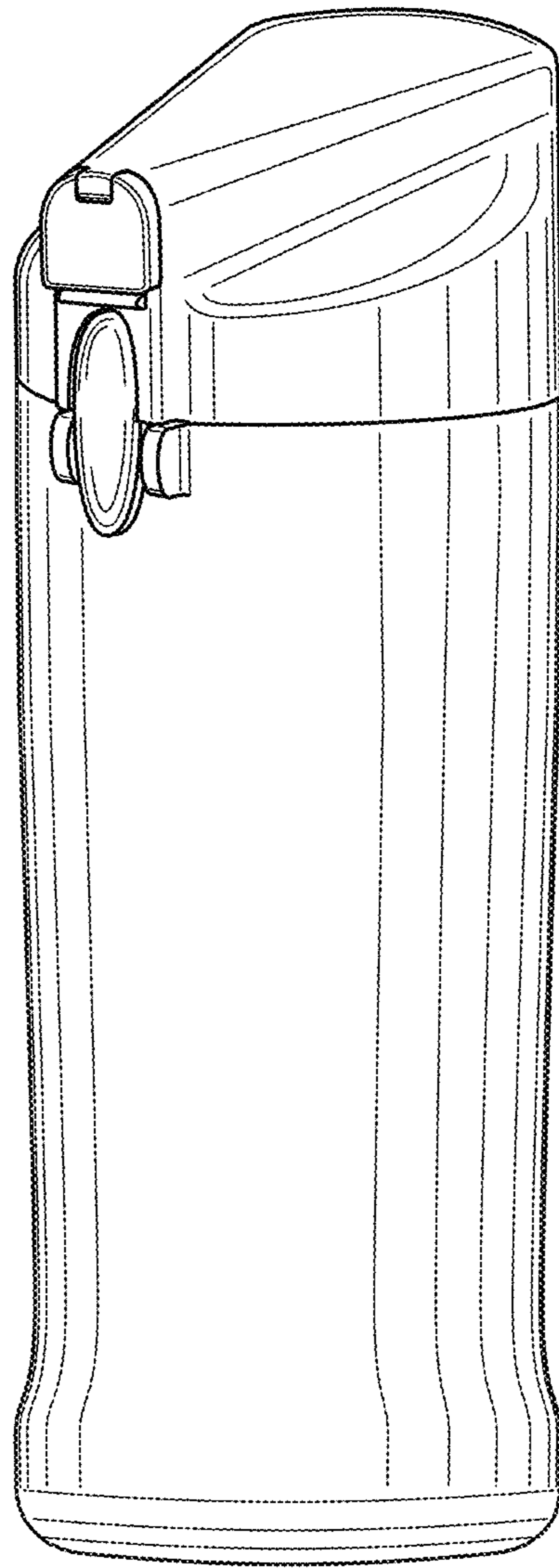


FIG. 1

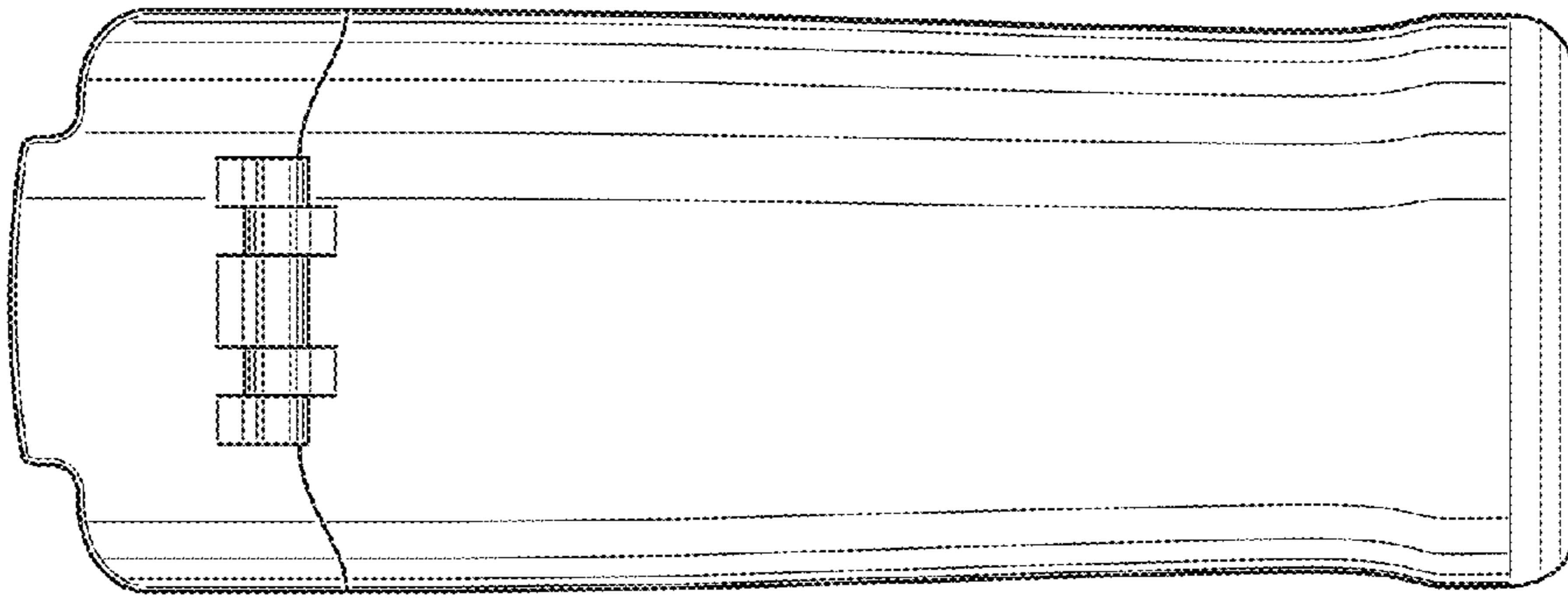


FIG. 4

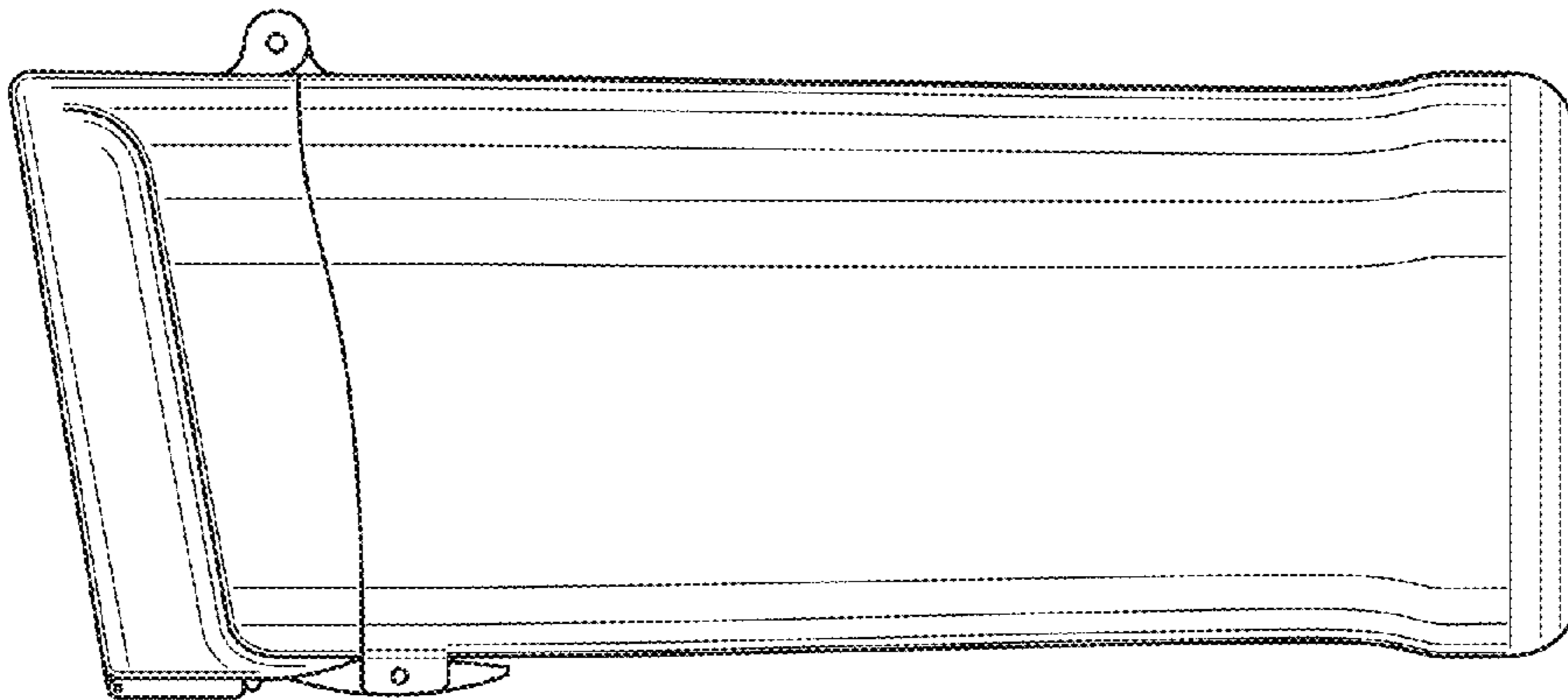


FIG. 3

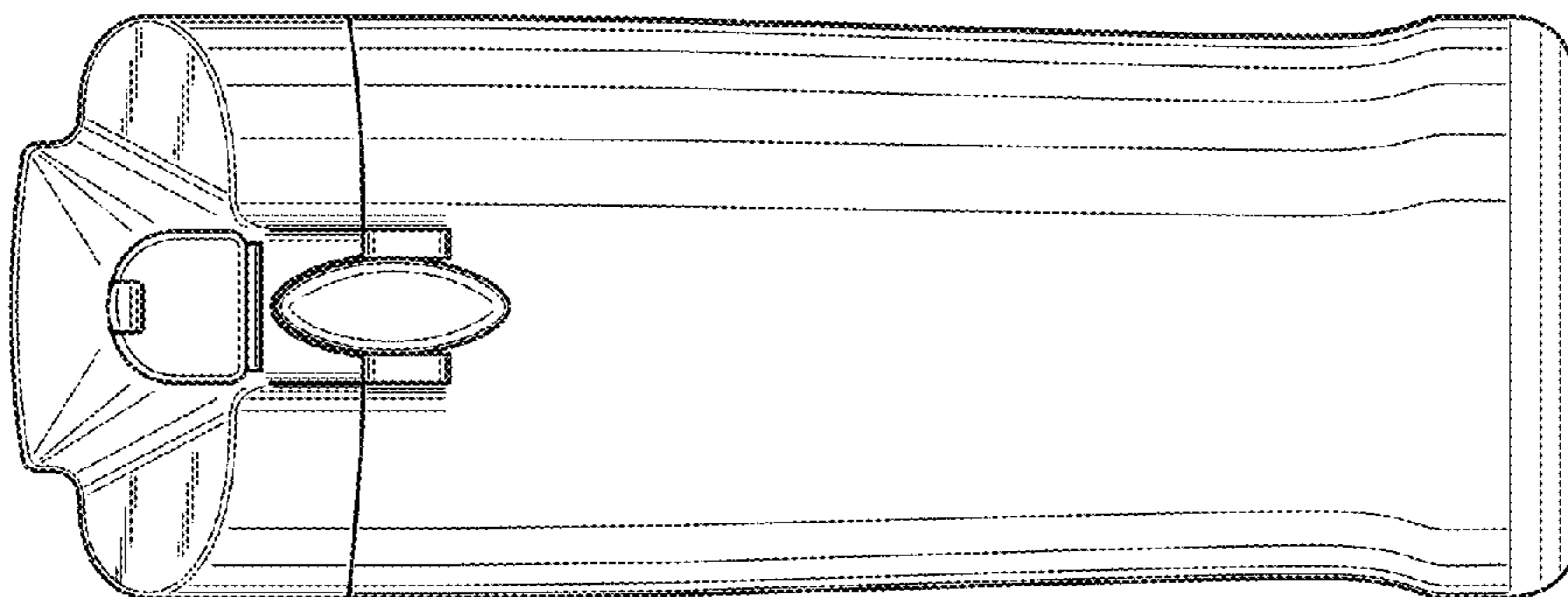


FIG. 2

FIG. 5

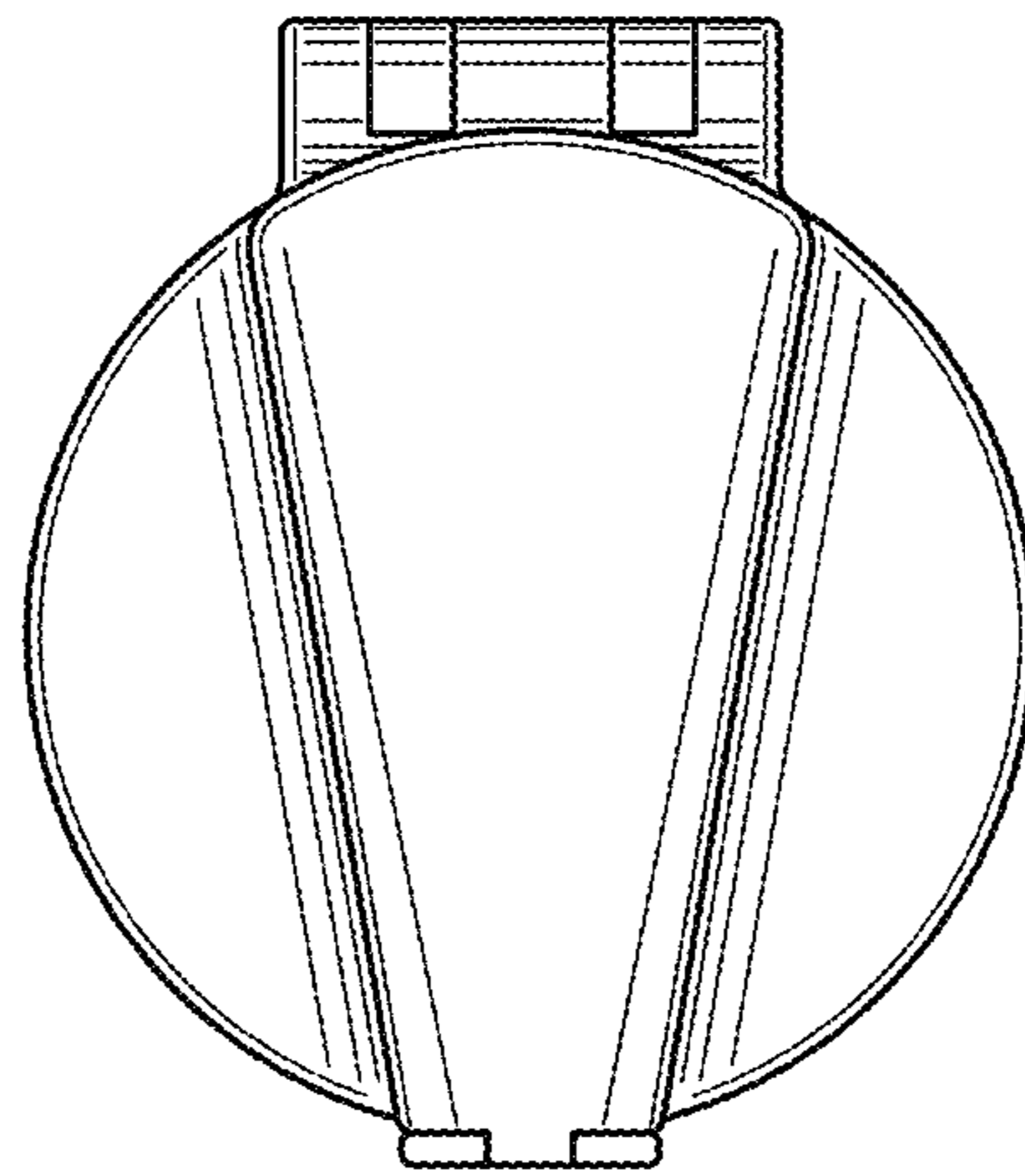


FIG. 6

