



US00D748943S

(12) **United States Design Patent**  
**Miller et al.**

(10) **Patent No.:** **US D748,943 S**  
(45) **Date of Patent:** **\*\* Feb. 9, 2016**

(54) **LID FOR BEVERAGE CONTAINER**

3,972,443 A 8/1976 Albert  
4,094,433 A 6/1978 Numbers  
4,099,642 A 7/1978 Nergard

(71) Applicant: **Ignite USA, LLC**, Chicago, IL (US)

(Continued)

(72) Inventors: **Blair Miller**, Chicago, IL (US); **David Joseph**, Oak Park, IL (US)

**OTHER PUBLICATIONS**

(73) Assignee: **IGNITE USA, LLC**, Chicago, IL (US)

“Contigo Autoseal Water Bottle, 24 Ounces, Blue”. Found online Aug. 26, 2015 at amazon.com. Page date Sep. 4, 2010. Retrieved from [http://www.amazon.com/Contigo-AUTOSEAL-Water-Bottle-Ounces/dp/B003KZKE1C/ref=cm\\_cr\\_pr\\_product\\_top?ie=UTF8](http://www.amazon.com/Contigo-AUTOSEAL-Water-Bottle-Ounces/dp/B003KZKE1C/ref=cm_cr_pr_product_top?ie=UTF8).\*

(\*\*) Term: **14 Years**

(Continued)

(21) Appl. No.: **29/493,692**

(22) Filed: **Jun. 12, 2014**

(51) **LOC (10) Cl.** ..... **07-02**

*Primary Examiner* — Robert M Spear

(52) **U.S. Cl.**

*Assistant Examiner* — Kendra L Hamilton

USPC ..... **D7/392.1**; D7/396.2; D7/510

(74) *Attorney, Agent, or Firm* — Marshall, Gerstein & Borun LLP

(58) **Field of Classification Search**

USPC ..... D7/319, 391, 392, 392.1, 393, 396.2, D7/397, 398, 509, 510, 511; D9/435, 436, D9/440, 447, 450, 503, 504, 516, 761; 215/41, 224, 329, 386, 387, 388, 392, 215/396; 220/254.8, 700, 703, 705, 710, 220/711, 715; 222/465.1, 475.1

(57) **CLAIM**

We claim the ornamental design for a lid for beverage container, as shown and described.

CPC ..... A47G 19/2272

**DESCRIPTION**

See application file for complete search history.

FIG. 1 is a perspective view of a lid for beverage container according to the new design;

(56) **References Cited**

**U.S. PATENT DOCUMENTS**

|               |         |            |                              |
|---------------|---------|------------|------------------------------|
| 830,142 A     | 9/1906  | Ebbing     |                              |
| 1,072,588 A   | 9/1913  | Duncan     |                              |
| 2,193,232 A   | 3/1940  | Hacmac     |                              |
| 2,447,870 A   | 8/1948  | Polcyn     |                              |
| 2,622,420 A   | 12/1952 | Rice       |                              |
| 2,799,437 A   | 7/1957  | Jepson     |                              |
| 3,059,816 A   | 10/1962 | Goldstein  |                              |
| 3,307,752 A * | 3/1967  | Anderson   | ..... B65D 23/108<br>215/306 |
| D209,483 S    | 12/1967 | Frank      |                              |
| 3,635,380 A   | 1/1972  | Fitzgerald |                              |
| 3,739,938 A   | 6/1973  | Paz        |                              |
| 3,881,643 A   | 5/1975  | LaVange    |                              |
| 3,964,631 A   | 6/1976  | Albert     |                              |
| 3,967,748 A   | 7/1976  | Albert     |                              |

FIG. 2 is a left side view of the lid for beverage container shown in FIG. 1;

FIG. 3 is a right side view of the lid for beverage container shown in FIG. 1;

FIG. 4 is a rear view of the lid for beverage container shown in FIG. 1;

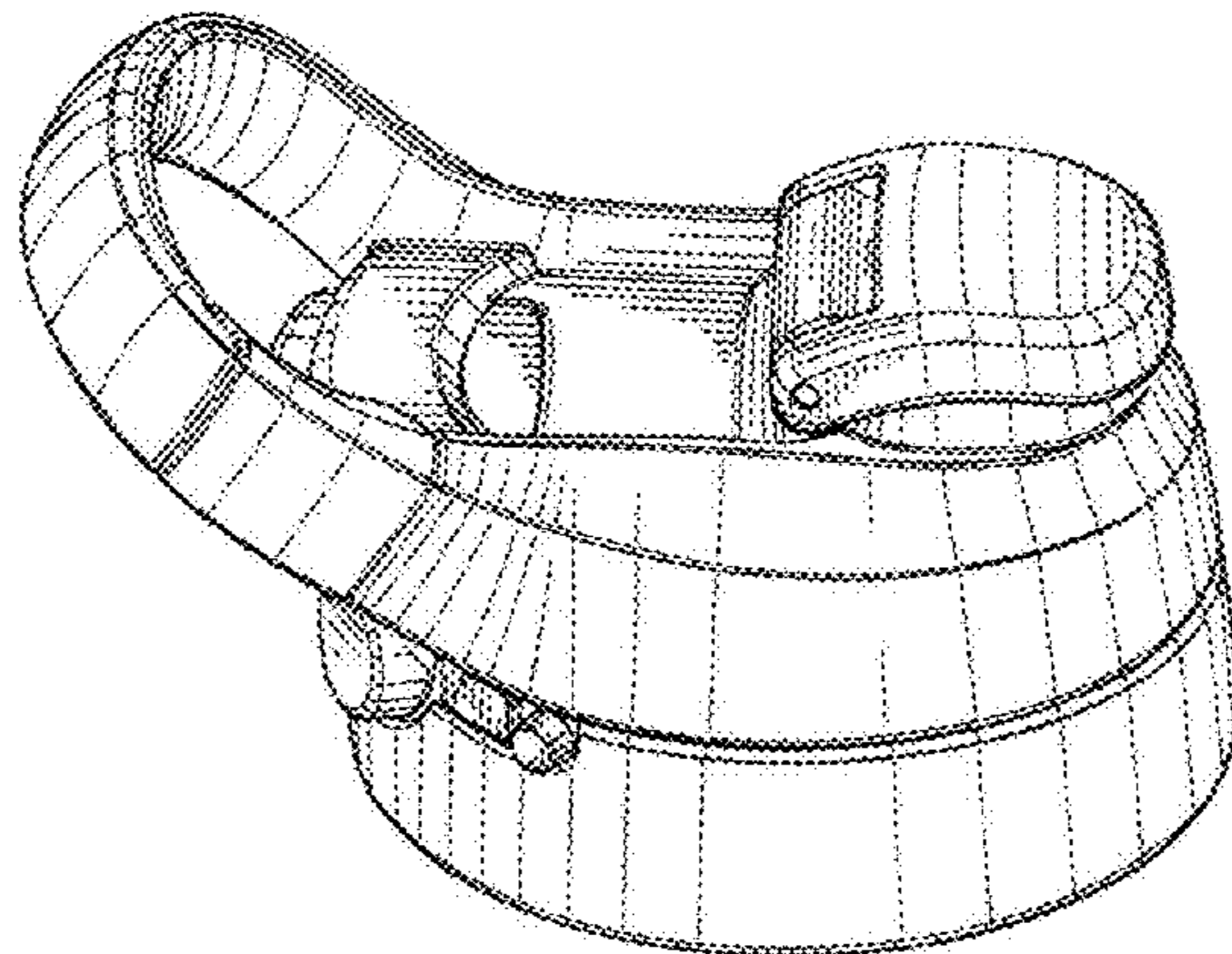
FIG. 5 a front view of the lid for beverage container shown in FIG. 1;

FIG. 6 is a top view of the lid for beverage container shown in FIG. 1, and,

FIG. 7 is a bottom view of the lid for beverage container shown in FIG. 1.

Features shown in broken lines in the drawings are not part of the claim.

**1 Claim, 3 Drawing Sheets**



(56)

References Cited

U.S. PATENT DOCUMENTS

|              |         |                     |              |         |                          |
|--------------|---------|---------------------|--------------|---------|--------------------------|
| 4,133,446 A  | 1/1979  | Albert              | 6,098,834 A  | 8/2000  | Hatsumoto et al.         |
| 4,136,799 A  | 1/1979  | Albert              | 6,102,244 A  | 8/2000  | Kuwano et al.            |
| 4,171,060 A  | 10/1979 | Howard et al.       | 6,116,458 A  | 9/2000  | Dark                     |
| 4,212,408 A  | 7/1980  | Valenzona           | 6,119,291 A  | 9/2000  | Osborne et al.           |
| 4,276,992 A  | 7/1981  | Susich              | 6,126,035 A  | 10/2000 | Schaper et al.           |
| 4,303,173 A  | 12/1981 | Nergard             | 6,158,608 A  | 12/2000 | Schlattl                 |
| D288,667 S   | 3/1987  | Miner               | RE37,016 E   | 1/2001  | Morano                   |
| D291,537 S   | 8/1987  | Crawford et al.     | D437,229 S   | 2/2001  | Andrew                   |
| 4,686,725 A  | 8/1987  | Mitchell            | 6,223,369 B1 | 5/2001  | Maier et al.             |
| 4,706,313 A  | 11/1987 | Murphy              | 6,276,560 B1 | 8/2001  | Belcastro                |
| 4,711,372 A  | 12/1987 | Gach                | 6,279,773 B1 | 8/2001  | Kiyota                   |
| 4,712,704 A  | 12/1987 | Ramsey et al.       | D447,693 S   | 9/2001  | Warner et al.            |
| 4,779,766 A  | 10/1988 | Kinsley             | 6,324,709 B1 | 12/2001 | Ikeda et al.             |
| 4,801,053 A  | 1/1989  | Kaster              | 6,351,863 B1 | 3/2002  | Meyer et al.             |
| 4,881,668 A  | 11/1989 | Kitterman et al.    | 6,352,166 B1 | 3/2002  | Copeland                 |
| 4,901,387 A  | 2/1990  | Luke                | 6,401,990 B1 | 6/2002  | Walters et al.           |
| D315,872 S   | 4/1991  | Bixler              | D460,894 S   | 7/2002  | Ziegenfus et al.         |
| 5,025,519 A  | 6/1991  | Spann et al.        | 6,443,325 B1 | 9/2002  | Schaper et al.           |
| 5,039,158 A  | 8/1991  | Maier               | 6,471,085 B1 | 10/2002 | Gallo                    |
| 5,070,560 A  | 12/1991 | Wilkinson           | D470,009 S   | 2/2003  | de Castro Couto          |
| 5,082,134 A  | 1/1992  | Ramsey              | 6,523,711 B1 | 2/2003  | Hughes et al.            |
| 5,118,014 A  | 6/1992  | Hestehave et al.    | D471,808 S   | 3/2003  | de Castro Couto          |
| 5,137,168 A  | 8/1992  | Mothrath et al.     | 6,557,717 B1 | 5/2003  | Keck                     |
| 5,153,977 A  | 10/1992 | Toida et al.        | 6,609,624 B2 | 8/2003  | Goto et al.              |
| 5,163,196 A  | 11/1992 | Graebe et al.       | 6,623,080 B2 | 9/2003  | Clapper                  |
| 5,169,016 A  | 12/1992 | Hinz, Jr.           | 6,644,490 B2 | 11/2003 | Clarke                   |
| 5,179,742 A  | 1/1993  | Oberle              | 6,679,397 B2 | 1/2004  | Smith et al.             |
| 5,186,353 A  | 2/1993  | Ramsey              | 6,701,556 B2 | 3/2004  | Romano et al.            |
| 5,199,597 A  | 4/1993  | Gladish             | 6,702,137 B1 | 3/2004  | Kowa et al.              |
| 5,203,468 A  | 4/1993  | Hsu                 | 6,732,875 B2 | 5/2004  | Smith et al.             |
| 5,222,623 A  | 6/1993  | Eger et al.         | 6,732,876 B2 | 5/2004  | Belcastro                |
| 5,244,113 A  | 9/1993  | Stymiest            | 6,732,964 B2 | 5/2004  | Couchey                  |
| 5,249,703 A  | 10/1993 | Karp                | D490,653 S * | 6/2004  | Kleckauskas ..... D7/510 |
| 5,252,278 A  | 10/1993 | Spann et al.        | 6,763,964 B1 | 7/2004  | Hurlbut et al.           |
| 5,307,950 A  | 5/1994  | Li                  | 6,782,574 B2 | 8/2004  | Totton et al.            |
| 5,332,131 A  | 7/1994  | Pehr                | D500,428 S   | 1/2005  | Ward et al.              |
| D355,322 S   | 2/1995  | Ackley et al.       | 6,854,615 B2 | 2/2005  | von Ronn et al.          |
| 5,409,131 A  | 4/1995  | Phillips et al.     | D502,844 S   | 3/2005  | Roho                     |
| 5,412,821 A  | 5/1995  | Wilkinson           | 6,874,185 B1 | 4/2005  | Phillips et al.          |
| 5,427,271 A  | 6/1995  | Wang                | 6,901,617 B2 | 6/2005  | Sprouse, II et al.       |
| 5,461,741 A  | 10/1995 | Graebe              | D508,185 S   | 8/2005  | Gauss                    |
| 5,462,185 A  | 10/1995 | Walker, III         | 6,922,863 B2 | 8/2005  | Giori et al.             |
| 5,465,866 A  | 11/1995 | Belcastro           | 6,928,681 B1 | 8/2005  | Stacy                    |
| 5,477,980 A  | 12/1995 | Chaffin             | 6,952,852 B2 | 10/2005 | Reeder et al.            |
| 5,485,938 A  | 1/1996  | Boersma             | 6,976,281 B2 | 12/2005 | Schunk et al.            |
| D367,611 S   | 3/1996  | Wagner et al.       | 6,978,910 B2 | 12/2005 | Sanders et al.           |
| D373,927 S   | 9/1996  | Kramer et al.       | D513,452 S   | 1/2006  | Parve                    |
| 5,570,797 A  | 11/1996 | Yeh                 | 7,011,227 B2 | 3/2006  | Ward et al.              |
| 5,573,139 A  | 11/1996 | Yeh                 | D522,794 S   | 6/2006  | Imar                     |
| 5,580,504 A  | 12/1996 | Spann et al.        | D523,340 S   | 6/2006  | Westphal                 |
| 5,586,346 A  | 12/1996 | Stacy et al.        | 7,059,490 B2 | 6/2006  | Son                      |
| 5,596,781 A  | 1/1997  | Graebe              | 7,073,678 B1 | 7/2006  | Dibdin et al.            |
| 5,606,754 A  | 3/1997  | Hand et al.         | D526,898 S   | 8/2006  | Isono et al.             |
| 5,630,238 A  | 5/1997  | Weismiller et al.   | D526,899 S   | 8/2006  | Mangin et al.            |
| 5,649,331 A  | 7/1997  | Wilkinson et al.    | 7,086,107 B2 | 8/2006  | Ellis et al.             |
| 5,652,985 A  | 8/1997  | Wilkinson et al.    | D529,379 S   | 10/2006 | Mengeu et al.            |
| 5,666,681 A  | 9/1997  | Meyer et al.        | D529,761 S   | 10/2006 | Trombly                  |
| 5,680,951 A  | 10/1997 | Feltman, III et al. | 7,124,917 B2 | 10/2006 | Lee                      |
| 5,689,845 A  | 11/1997 | Sobieralski         | D533,061 S   | 12/2006 | Li                       |
| D386,948 S   | 12/1997 | Wissinger           | D533,064 S   | 12/2006 | Glynn et al.             |
| 5,753,289 A  | 5/1998  | Ness                | D538,597 S * | 3/2007  | Kim ..... D7/510         |
| D394,778 S   | 6/1998  | Arns et al.         | 7,195,137 B2 | 3/2007  | Belcastro                |
| D397,905 S   | 9/1998  | Hsu                 | D540,625 S   | 4/2007  | Sandberg                 |
| 5,845,352 A  | 12/1998 | Matsler et al.      | 7,201,288 B2 | 4/2007  | von Ronn et al.          |
| D404,613 S   | 1/1999  | Hatsumoto et al.    | D541,572 S   | 5/2007  | Watanabe                 |
| D405,011 S   | 2/1999  | DeCoster et al.     | D544,300 S   | 6/2007  | Tien                     |
| D406,006 S   | 2/1999  | Hatsumoto et al.    | 7,229,134 B2 | 6/2007  | Ito                      |
| D408,221 S   | 4/1999  | Asberg              | D547,122 S   | 7/2007  | Gluck                    |
| D416,755 S   | 11/1999 | Trombly             | D547,607 S   | 7/2007  | Forsman                  |
| 5,987,668 A  | 11/1999 | Ackley              | D547,611 S   | 7/2007  | Seum et al.              |
| D417,360 S   | 12/1999 | Bickert et al.      | D548,008 S   | 8/2007  | Lin                      |
| D418,364 S * | 1/2000  | Demore ..... D7/392 | D548,508 S   | 8/2007  | Tonelli                  |
| 6,010,029 A  | 1/2000  | Wang                | D552,990 S   | 10/2007 | Vogel                    |
| 6,036,271 A  | 3/2000  | Wilkinson et al.    | D554,433 S   | 11/2007 | Gluck                    |
| 6,053,474 A  | 4/2000  | Stucke et al.       | D554,992 S   | 11/2007 | Mangin et al.            |
|              |         |                     | D555,000 S   | 11/2007 | Bunce et al.             |
|              |         |                     | D555,514 S   | 11/2007 | Munn                     |
|              |         |                     | D555,970 S   | 11/2007 | Schreitmueller et al.    |
|              |         |                     | D558,111 S   | 12/2007 | Banks, III               |

(56)

References Cited

U.S. PATENT DOCUMENTS

D560,435 S 1/2008 Meehan  
 D564,840 S 3/2008 Williams  
 D564,841 S 3/2008 Clemens et al.  
 D564,874 S 3/2008 Mangin et al.  
 D569,182 S 5/2008 Homma  
 D572,531 S 7/2008 Romandy et al.  
 D573,404 S 7/2008 Wahl  
 7,413,096 B2 8/2008 Morgan et al.  
 D577,582 S 9/2008 Walsh et al.  
 D577,958 S 10/2008 Homma  
 D581,727 S 12/2008 Pinelli et al.  
 D584,107 S 1/2009 George  
 D586,184 S \* 2/2009 Miller ..... D7/511  
 D587,060 S 2/2009 Tong Chi Chung  
 D587,969 S 3/2009 Gilbert  
 D588,411 S 3/2009 Watanabe  
 D589,750 S 4/2009 Liu et al.  
 D592,012 S 5/2009 Carreno  
 D592,456 S 5/2009 Pinelli  
 D592,905 S 5/2009 Pinelli  
 D592,913 S 5/2009 Pinelli  
 7,533,783 B2 5/2009 Choi et al.  
 7,546,933 B2 6/2009 Pinelli  
 D611,764 S 3/2010 Wahl et al.  
 D613,110 S 4/2010 Lane et al.  
 7,708,035 B2 5/2010 Windmiller  
 7,766,057 B2 8/2010 Windmiller  
 D623,473 S 9/2010 Chen  
 D623,474 S 9/2010 Carlson et al.  
 D623,476 S 9/2010 Carlson et al.  
 D626,837 S 11/2010 Meyers et al.  
 D626,838 S 11/2010 Meyers et al.  
 D629,653 S 12/2010 Gullickson et al.  
 D634,161 S 3/2011 Roth et al.  
 RE42,484 E 6/2011 Kitamura et al.  
 D640,093 S 6/2011 Picozza et al.  
 D640,094 S 6/2011 Carlson et al.  
 7,997,442 B2 8/2011 Pinelli  
 D648,985 S 11/2011 Chiu et al.  
 D652,256 S 1/2012 Eysel  
 D653,081 S 1/2012 George  
 D656,360 S \* 3/2012 Miller ..... D7/396.2  
 D656,787 S 4/2012 Phillips et al.  
 D658,443 S 5/2012 Chiu et al.  
 D660,487 S 5/2012 Wu  
 8,191,727 B2 6/2012 Davies et al.  
 D669,732 S 10/2012 Hopkins et al.

D670,134 S 11/2012 Di Lollo  
 D672,609 S 12/2012 Aziz et al.  
 8,360,267 B1 1/2013 Chiou et al.  
 D675,873 S 2/2013 Miller et al.  
 D676,278 S 2/2013 Wong  
 8,403,173 B2 3/2013 Wahl et al.  
 D679,541 S \* 4/2013 Samartgis ..... D7/392.1  
 D682,034 S 5/2013 El-Saden et al.  
 8,469,226 B2 6/2013 Davies et al.  
 D686,074 S 7/2013 Brinckerhoff et al.  
 8,602,238 B2 12/2013 El-Saden et al.  
 8,622,237 B2 1/2014 Choi et al.  
 D700,012 S 2/2014 Hurley et al.  
 8,777,048 B2 7/2014 Choi et al.  
 8,844,762 B2 9/2014 Chiou et al.  
 D717,601 S \* 11/2014 Dixon ..... D7/510  
 D721,276 S \* 1/2015 Herbst ..... D7/396.2  
 D723,328 S \* 3/2015 Steel ..... D7/396.2  
 D728,313 S \* 5/2015 Bo ..... D7/510  
 2002/0036207 A1 3/2002 Ohuo et al.  
 2003/0071041 A1 4/2003 Vogel  
 2004/0069783 A1 4/2004 Chen  
 2005/0028289 A1 2/2005 Hakamiun  
 2005/0029265 A1 2/2005 Morgan et al.  
 2006/0043091 A1 3/2006 Pinelli et al.  
 2006/0226160 A1 10/2006 Elsaden et al.  
 2007/0210093 A1 9/2007 Pinelli  
 2008/0272134 A1 11/2008 Rohe  
 2012/0285961 A1 11/2012 Roth et al.  
 2013/0119060 A1 5/2013 Chiou et al.  
 2015/0173539 A1 \* 6/2015 Mason ..... A47G 19/2272  
 220/707  
 2015/0201774 A1 \* 7/2015 Sorensen ..... A47G 19/2272  
 220/715

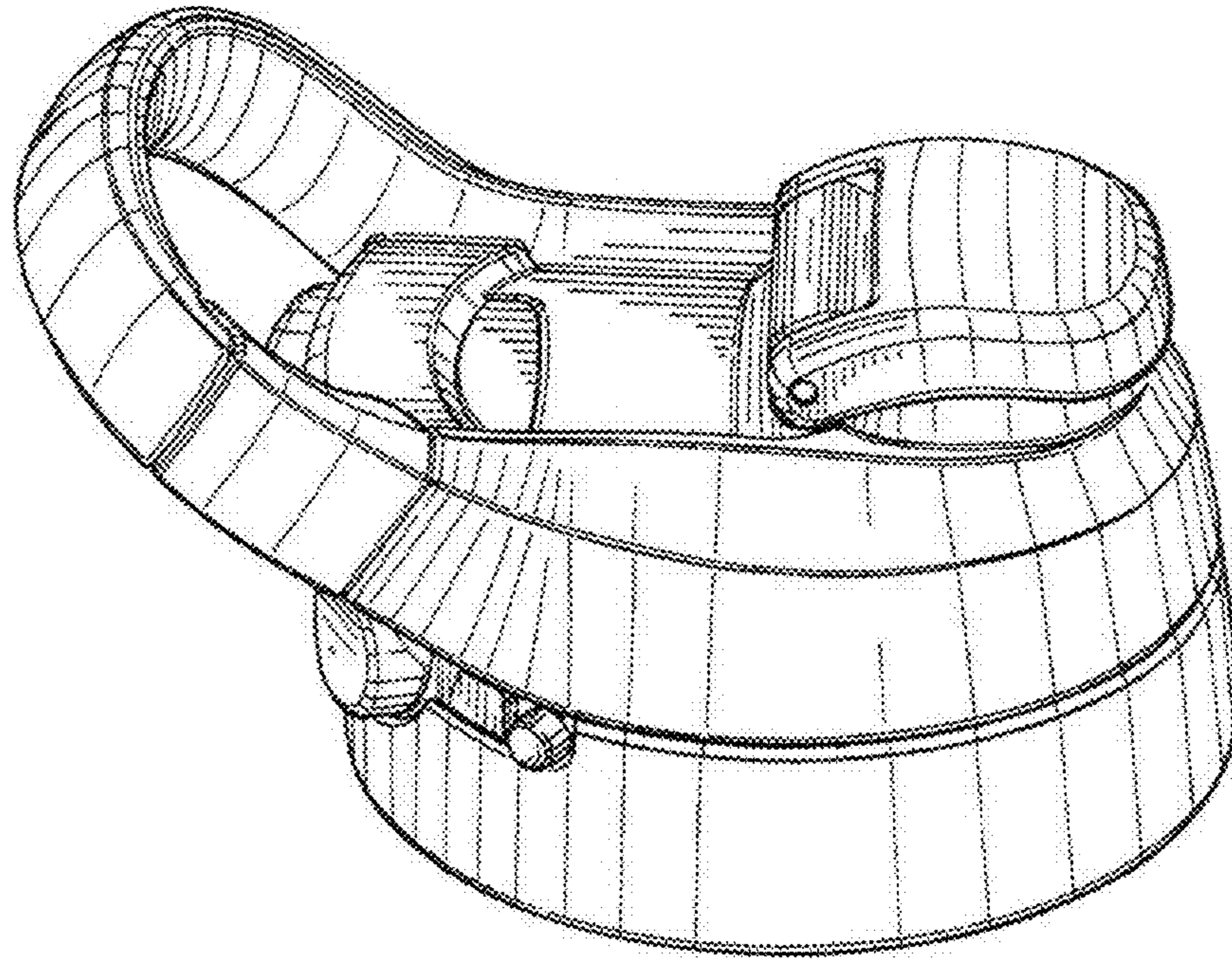
OTHER PUBLICATIONS

“Contigo Autospout Addison Water Bottle, 24-Ounce, Watermelon”. Found online Aug. 26, 2015 at amazon.com. Page dated Jan. 2, 2012. Retrieved from [http://www.amazon.com/Contigo-Autospout-Addison-24-Ounce-Watermelon/dp/B00C5G3PCC/ref=cm\\_cr\\_pr\\_product\\_top?ie=UTF8](http://www.amazon.com/Contigo-Autospout-Addison-24-Ounce-Watermelon/dp/B00C5G3PCC/ref=cm_cr_pr_product_top?ie=UTF8).\*

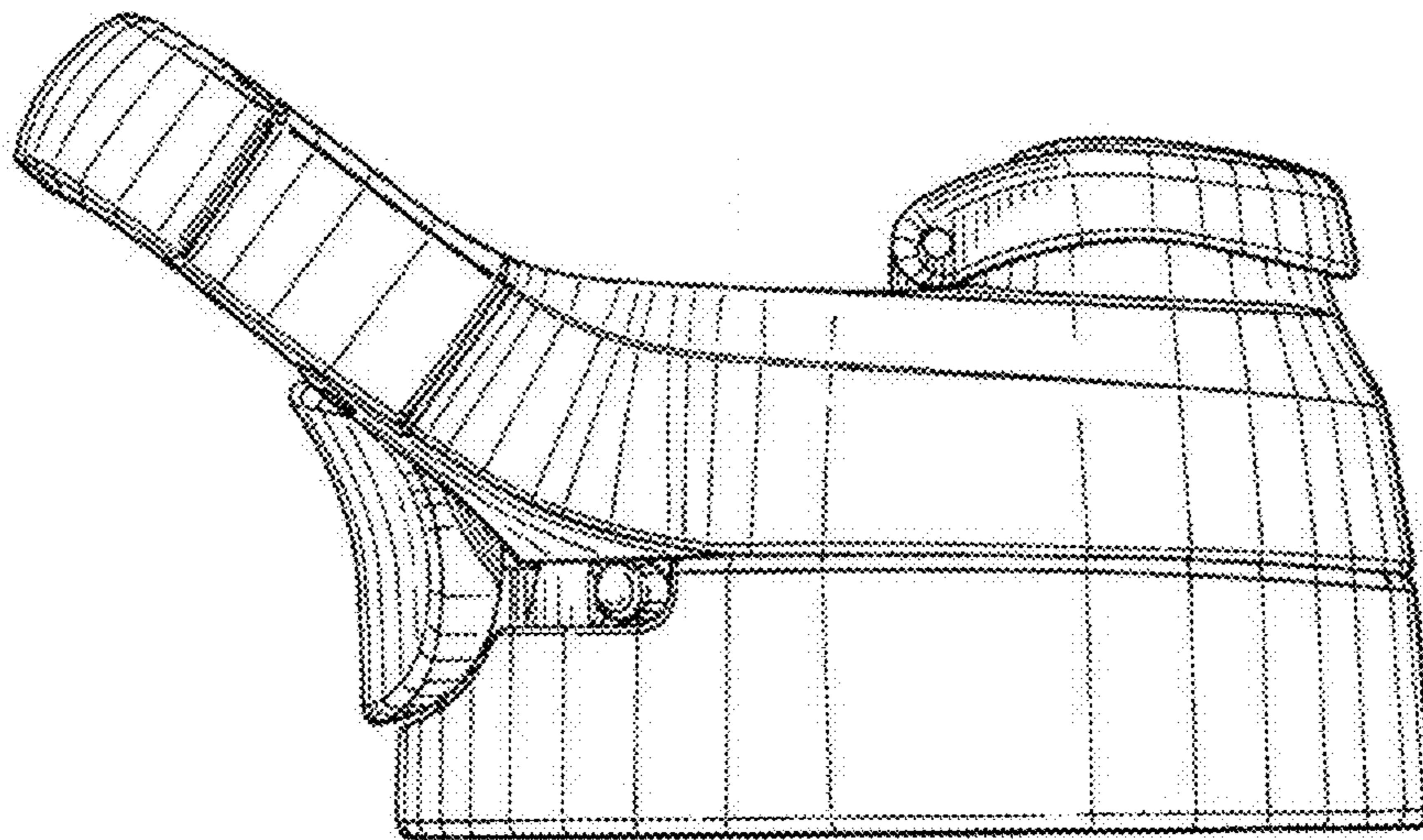
Contigo Autoseal Grace Water Bottle, 24-Ounce, Citron). Found online Aug. 26, 2015 at amazon.com. Page dated Feb. 15, 2013. Retrieved from [http://www.amazon.com/Contigo-Autoseal-Bottle-24-Ounce-Citron/dp/B00A74ZU18/ref=cm\\_cr\\_pr\\_product\\_top?ie=UTF8](http://www.amazon.com/Contigo-Autoseal-Bottle-24-Ounce-Citron/dp/B00A74ZU18/ref=cm_cr_pr_product_top?ie=UTF8).\*

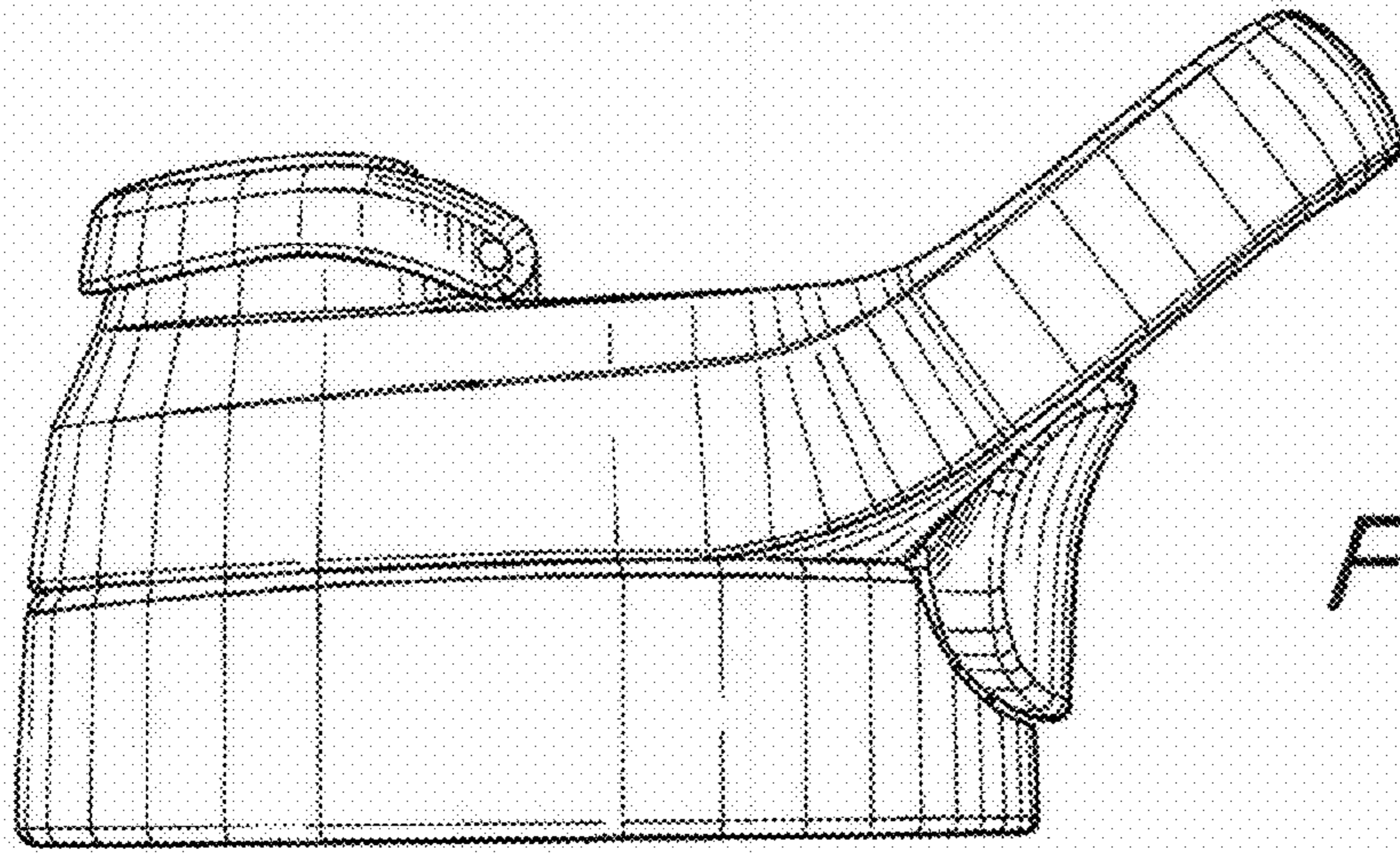
\* cited by examiner

*FIG. 1*



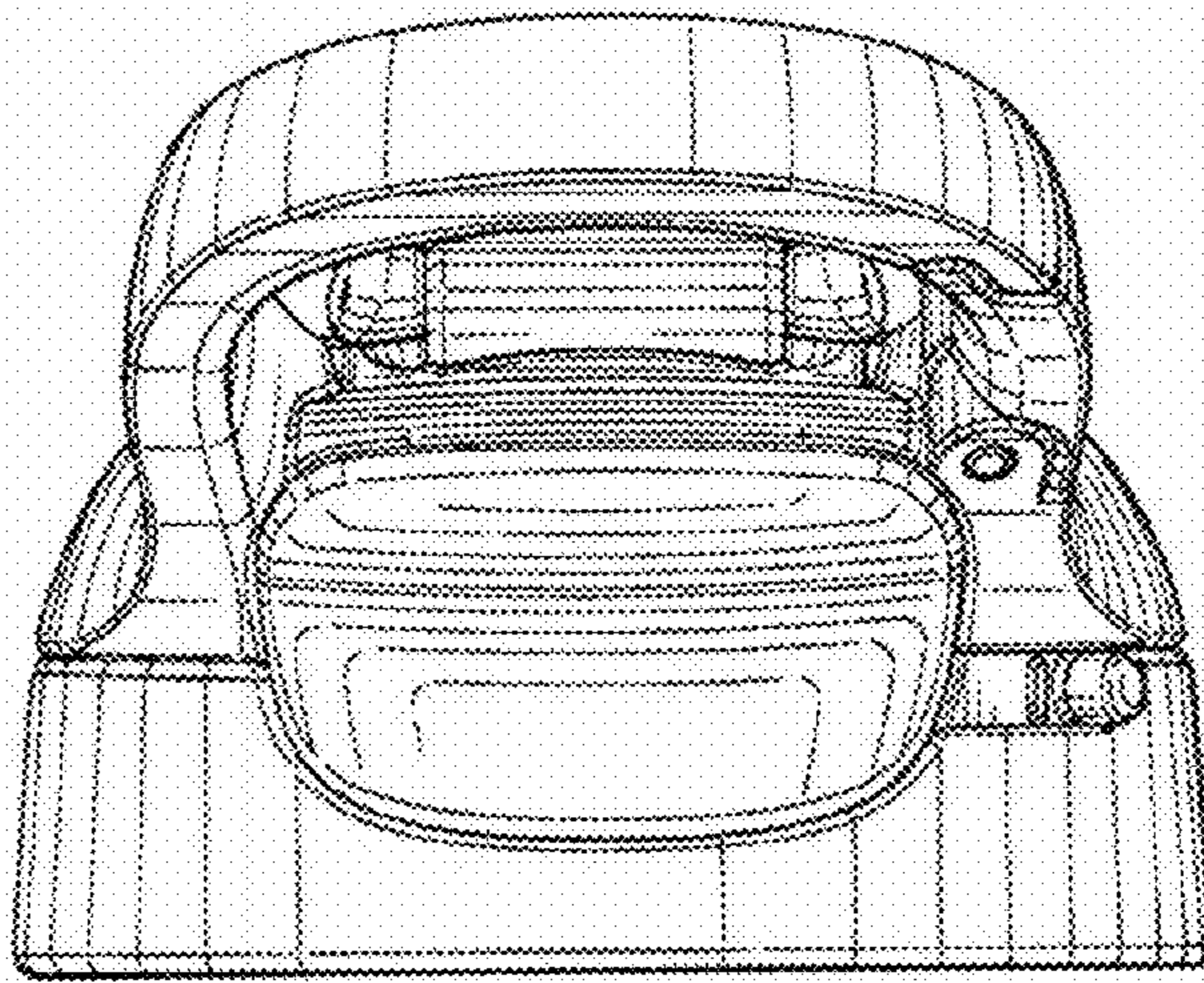
*FIG. 2*



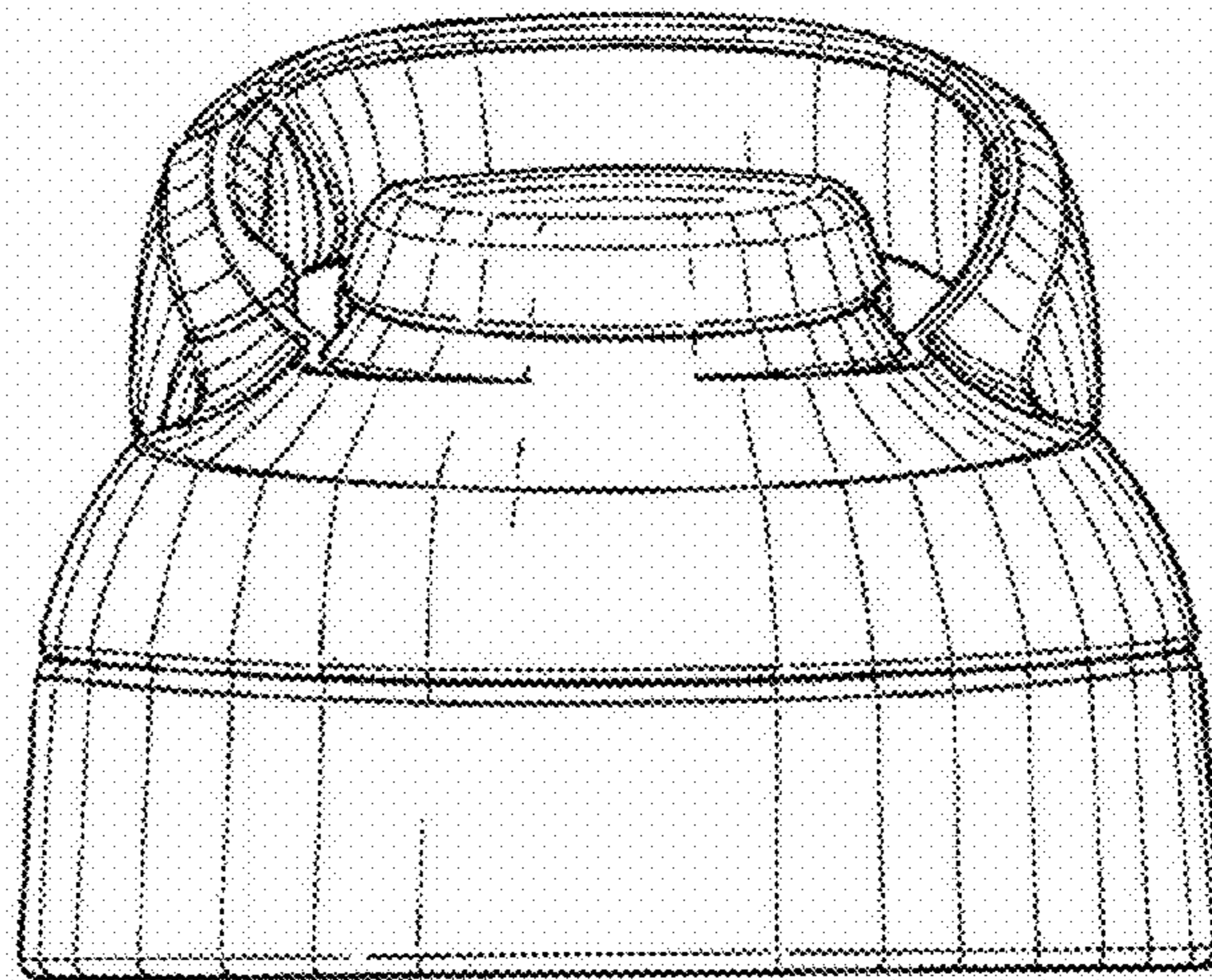


*FIG. 3*

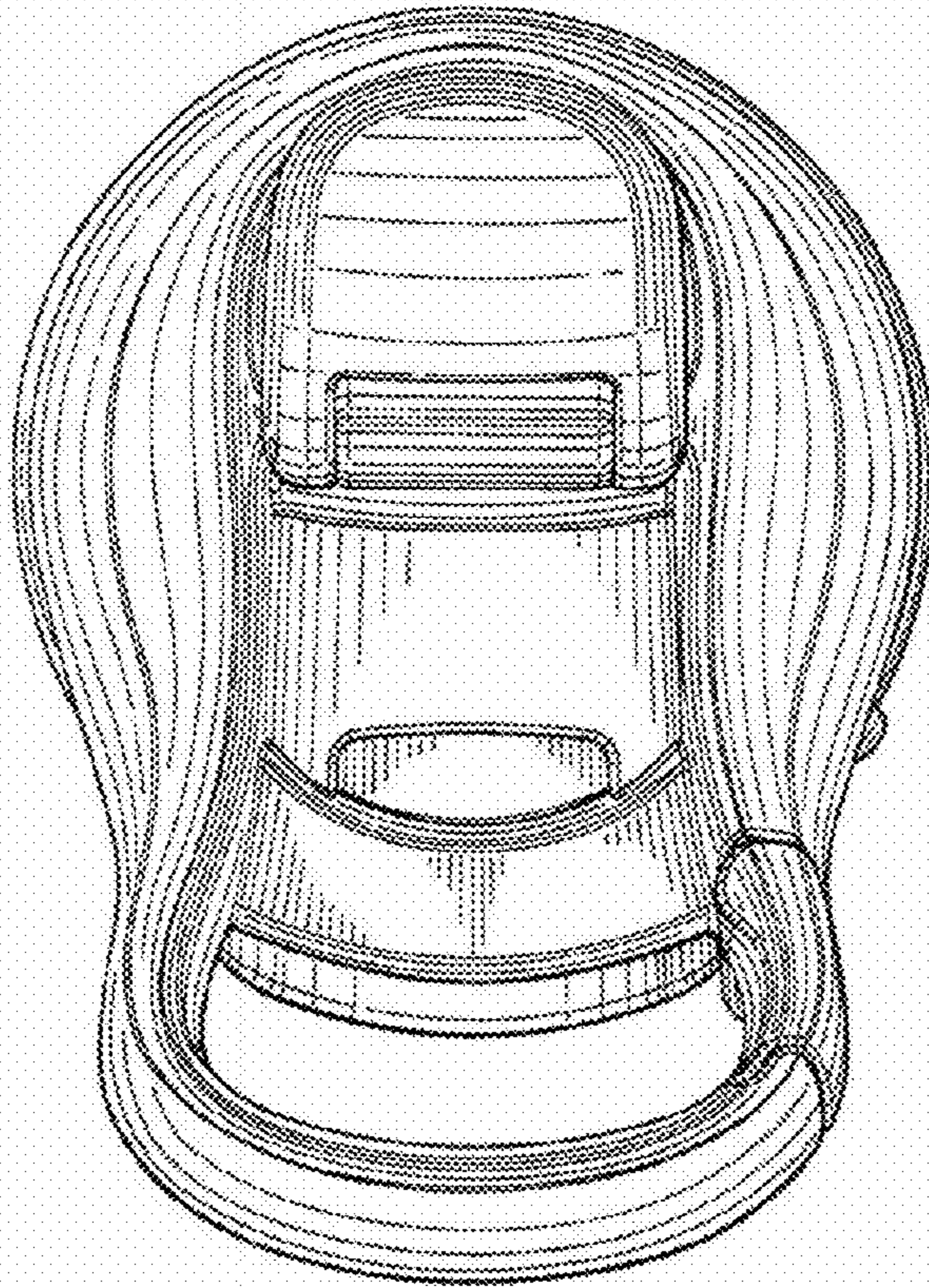
*FIG. 4*



*FIG. 5*



*FIG. 6*



*FIG. 7*

